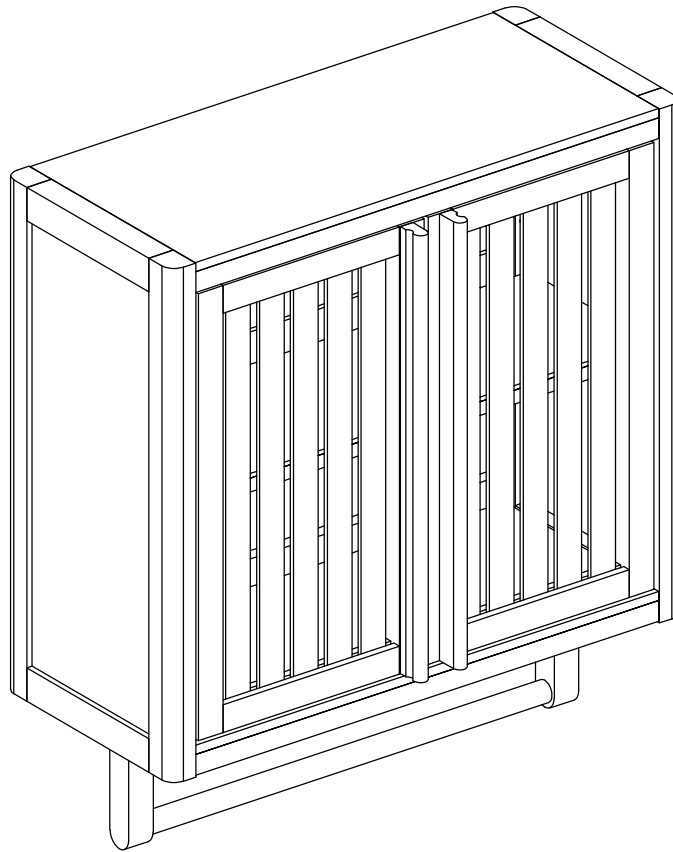


BAMBOO WALL CABINET



W2207P147167

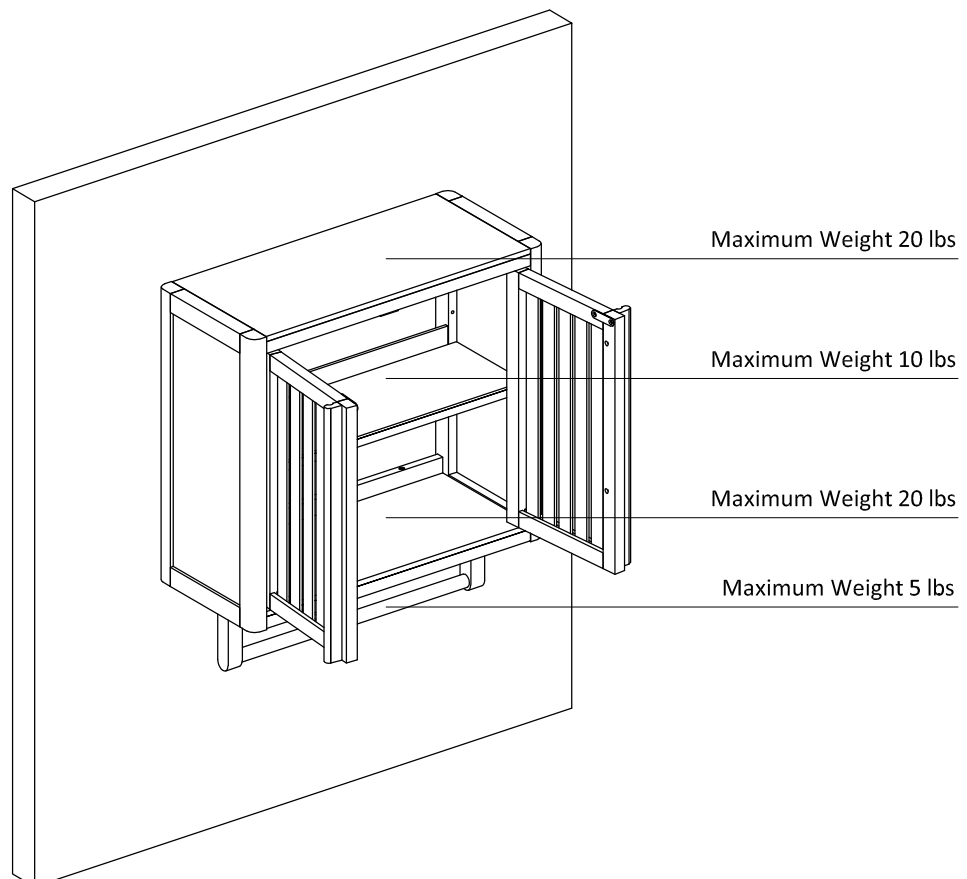
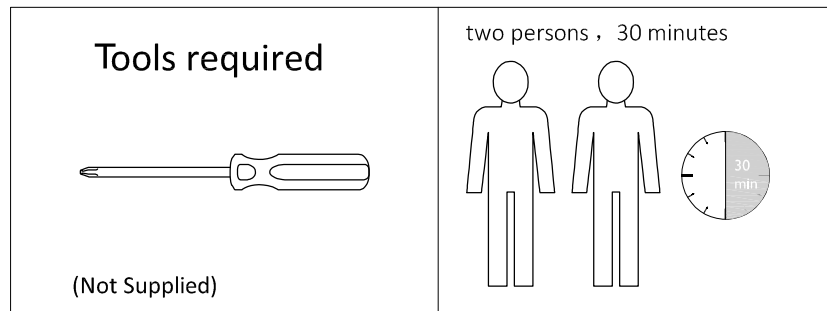
Getting started

Thank you for purchasing this product. Read the instructions and warnings carefully before use, to ensure safe and satisfactory operation of this product.

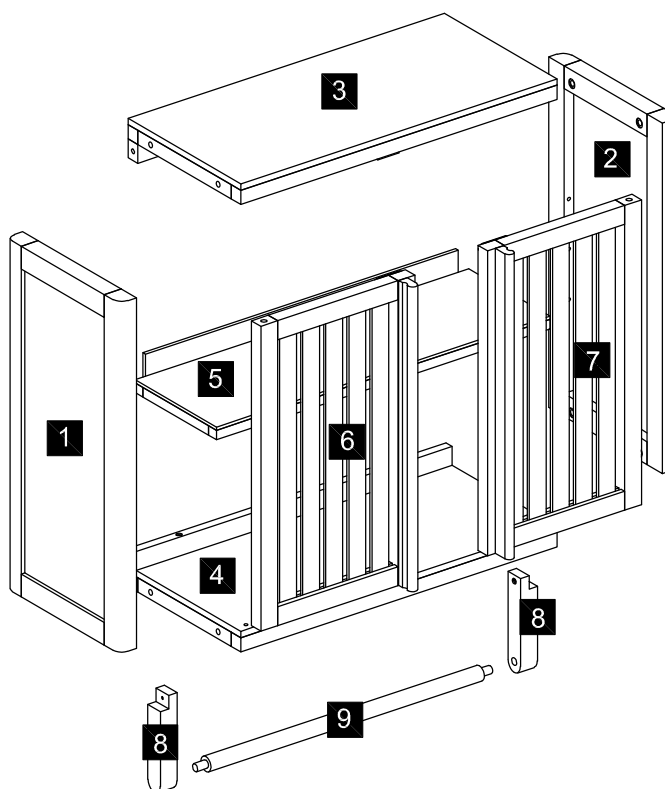


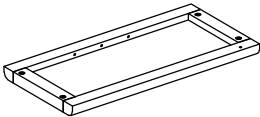
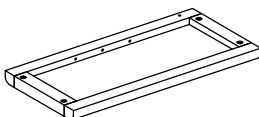
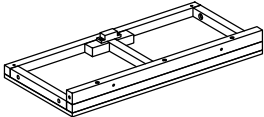
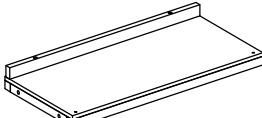
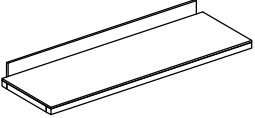
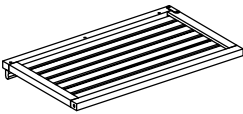
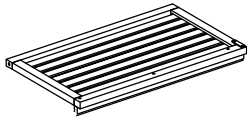
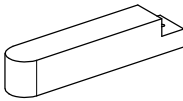
WARNING

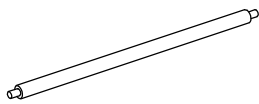
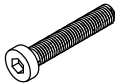
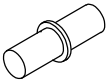


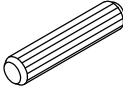

- Do not let any sharp objects touch or rub the surface of the product.
- When assembling, do not let children play around the working area.
- Please confirm all parts are correct before starting the assembly process.
- Do not tighten all bolts and screws completely until the entire unit has been assembled and set up.
- **DO NOT USE POWER TOOLS.**
- Power tools can over tighten screws and strip threads.
- For each screw:
 1. Tighten each screw until you meet resistance.
 2. Tighten one additional full rotation. **DO NOT OVER TIGHTEN.**



Fittings and parts checklist



No.	Picture	Name	Qty	No.	Picture	Name	Qty
1		Left side frame	1	2		Right side frame	1
3		Top panel	1	4		Bottom panel	1
5		Adjustable shelf	1	6		Left door	1
7		Right door	1	8		Side rail	2

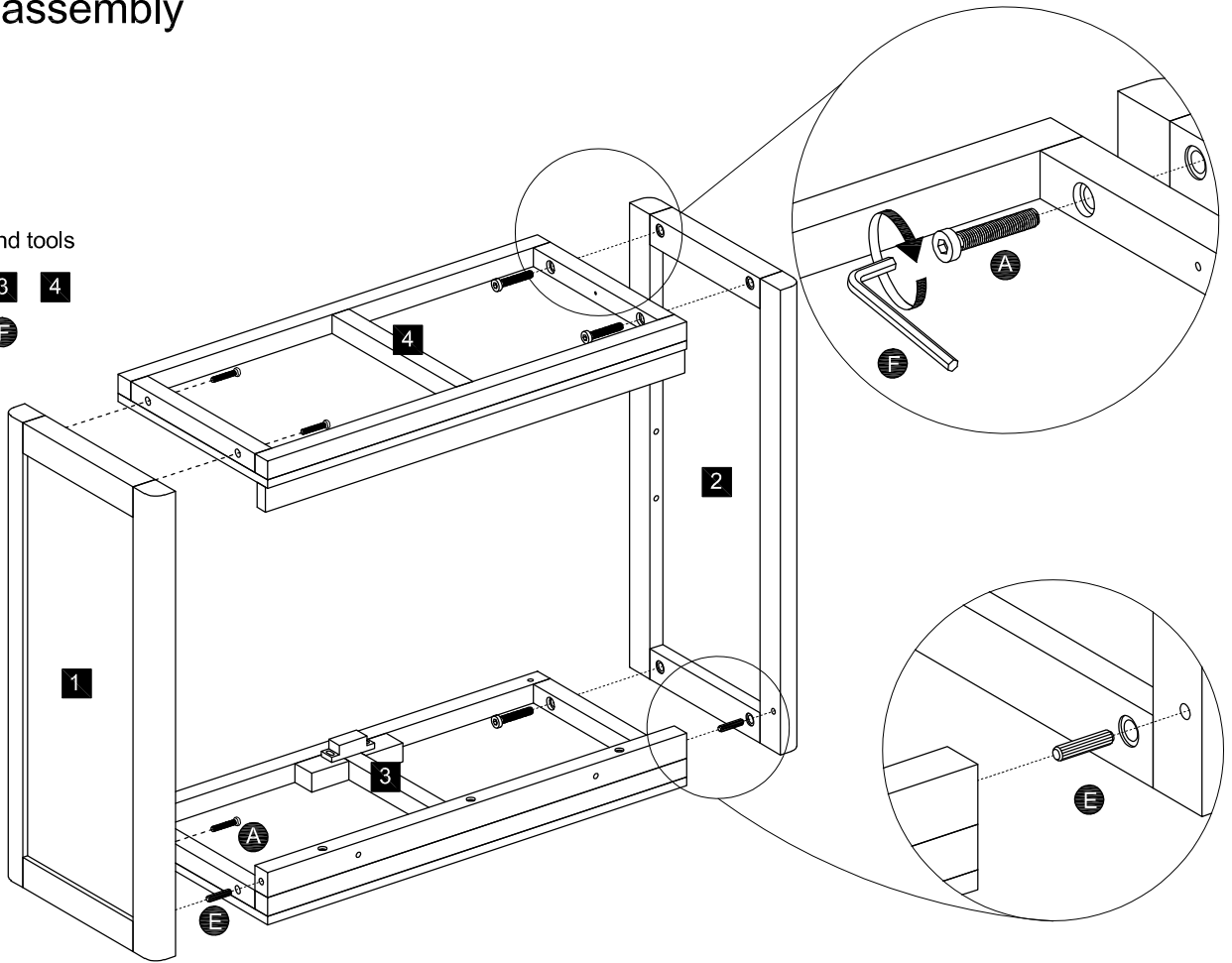
No.	Picture	Name	Qty	No.	Picture	Name	Qty
9		Rail	1	A		Bolt	8
B		Shelf Support	4	C		Pin	5 (One spare)
D		Screw	2	E		Dowel	2
F		Allen key M4	1				

Product assembly

Step 1

Parts, fittings and tools

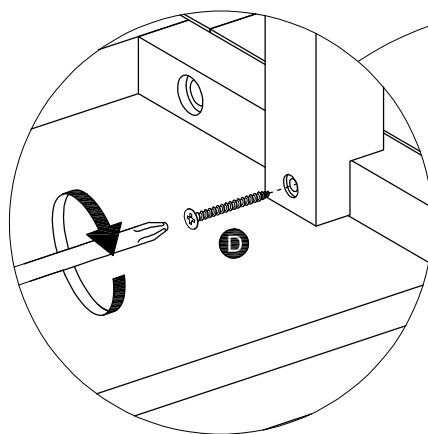
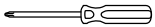
- 1 2 3 4
- A E F



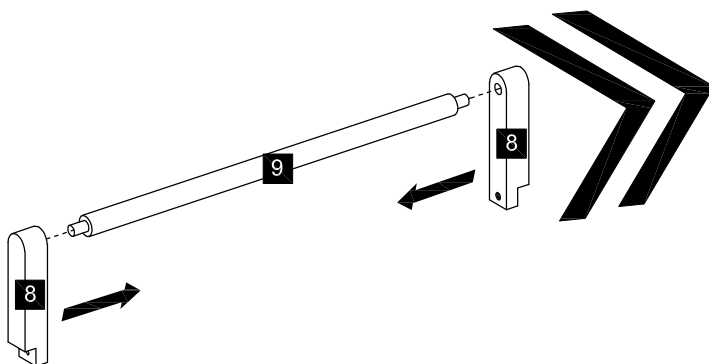
Step 2

Parts, fittings and tools

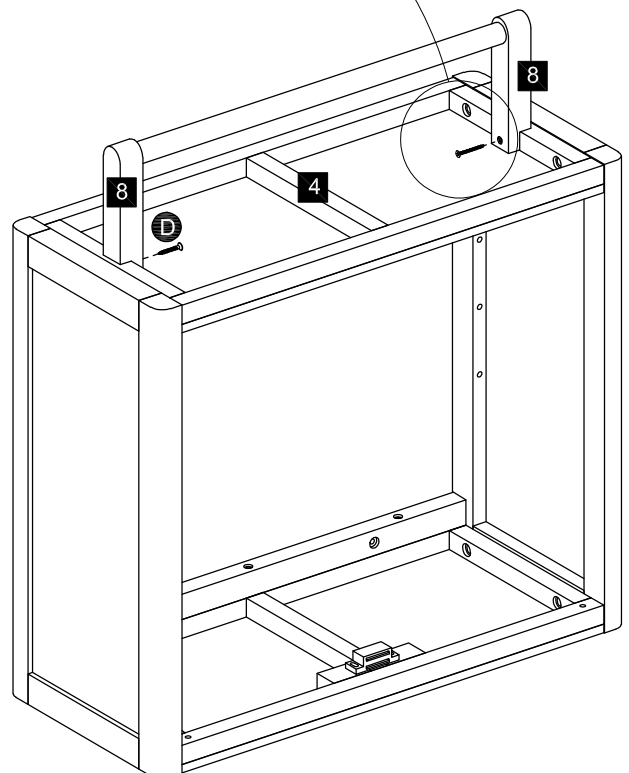
- 4 8 9 D



2-2



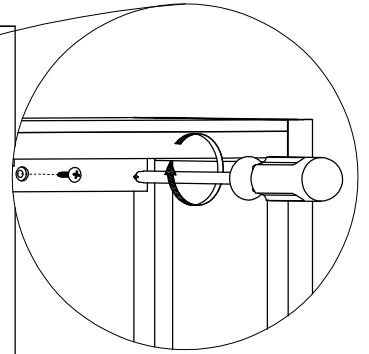
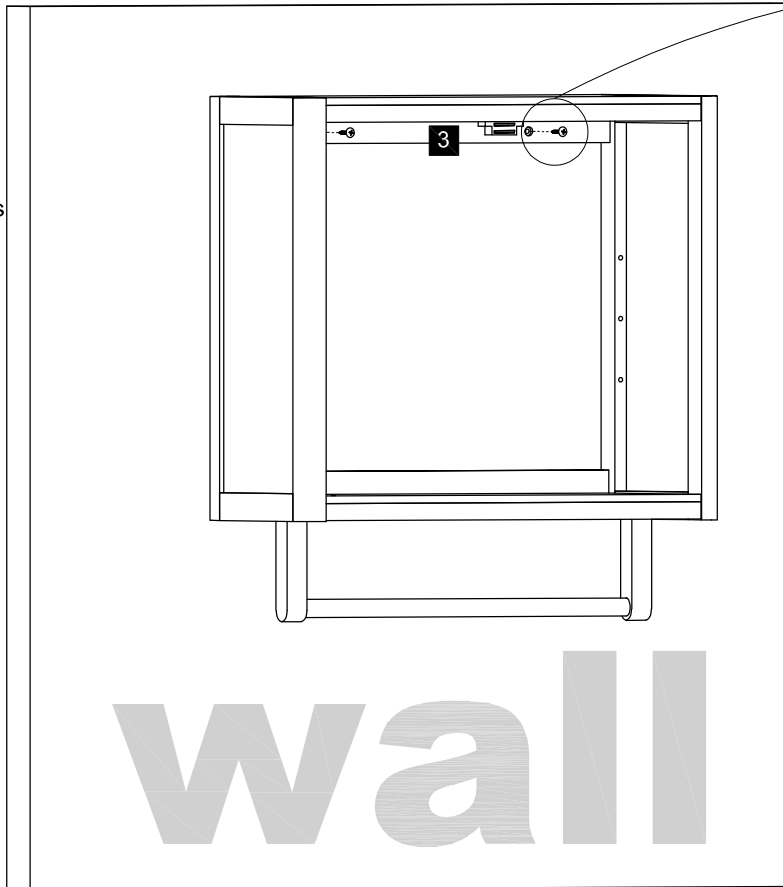
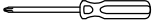
2-1



Step 3

Parts, fittings and tools

3



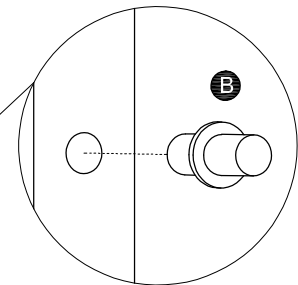
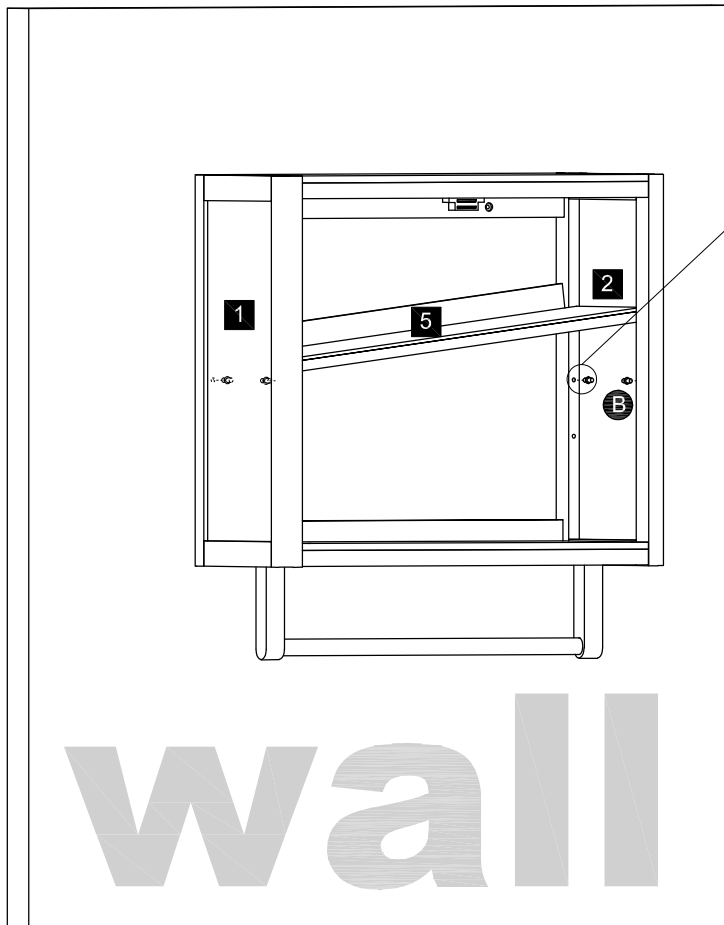
PLEASE NOTE:

For your safety, to prevent the danger of this unit tipping over, it is important to choose a right anchor suitable for your wall and attach it properly.

Step 4

Parts, fittings and tools

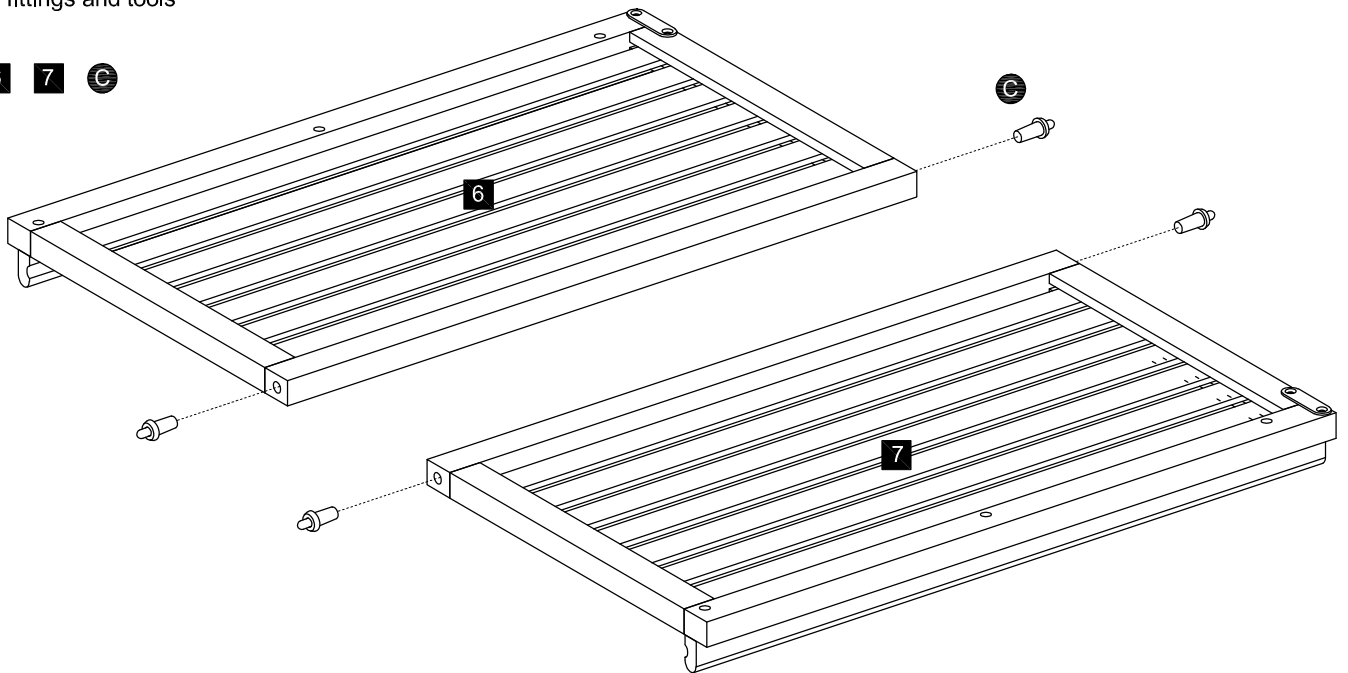
1 2 5 B



Step 5

Parts, fittings and tools

6 7 C



Step 6

Parts, fittings and tools

3 4 6 7

