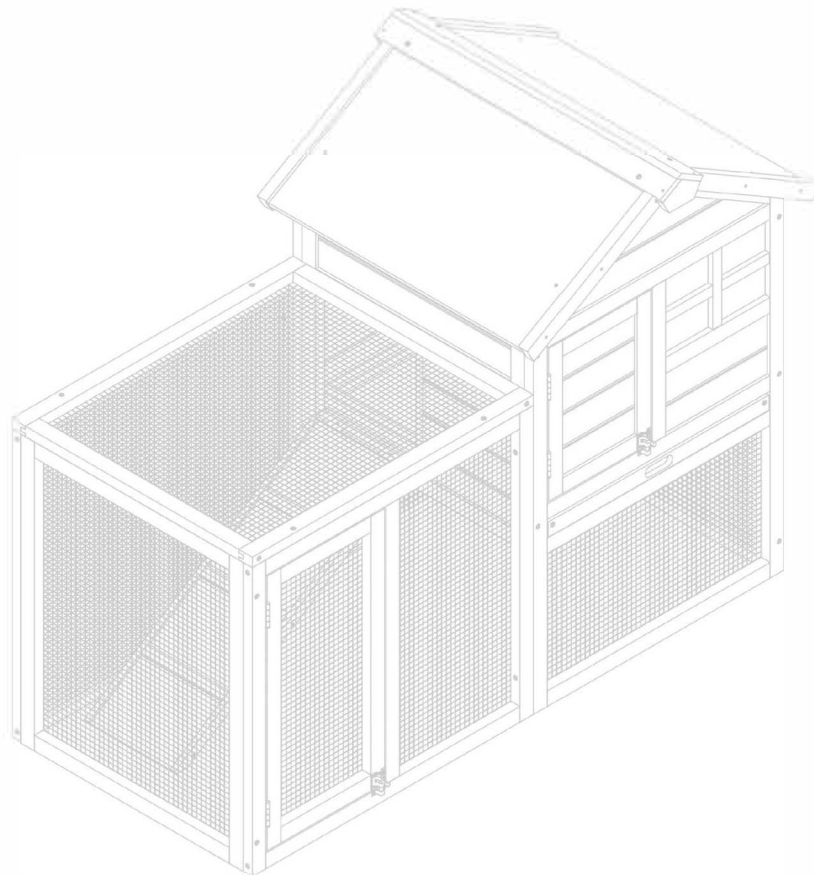
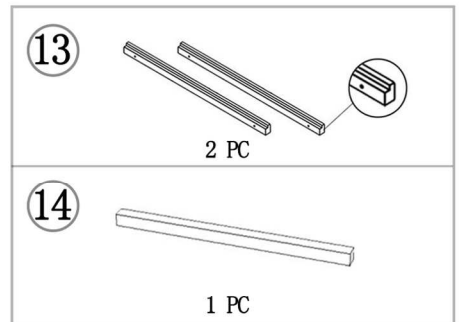
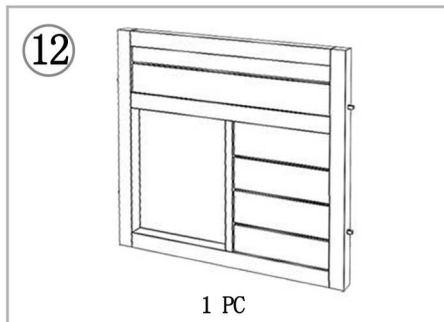
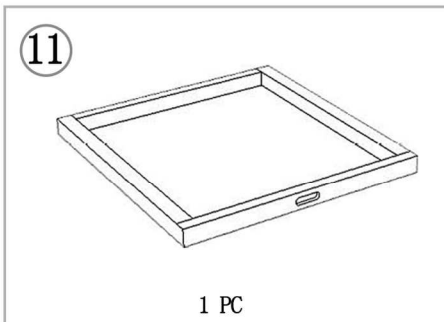
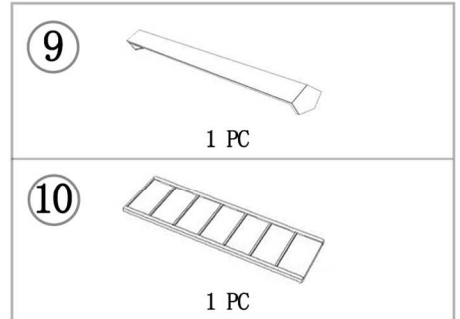
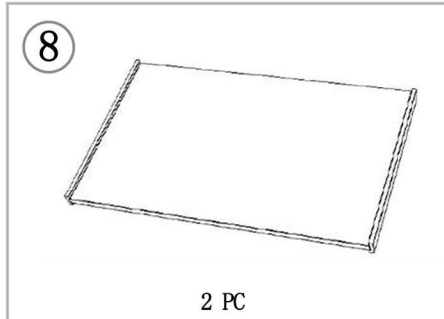
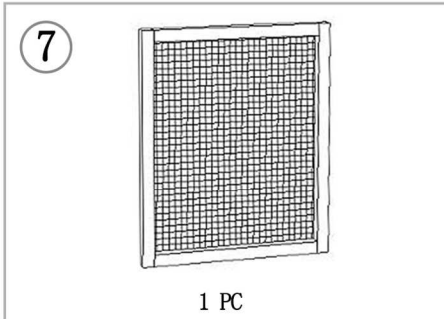
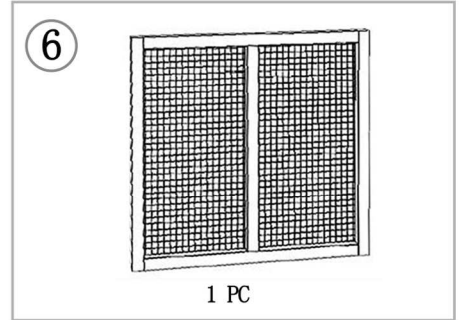
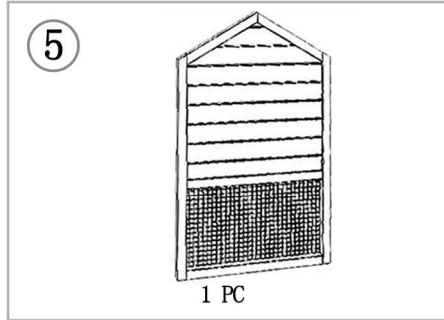
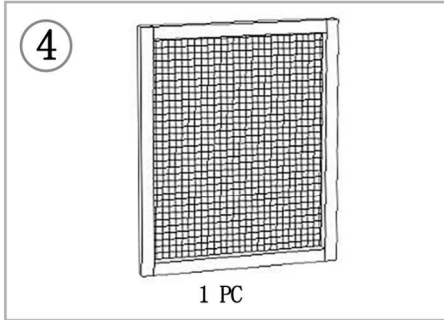
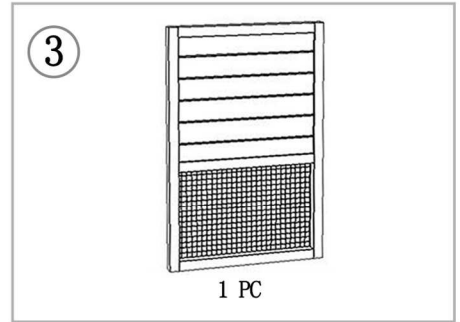
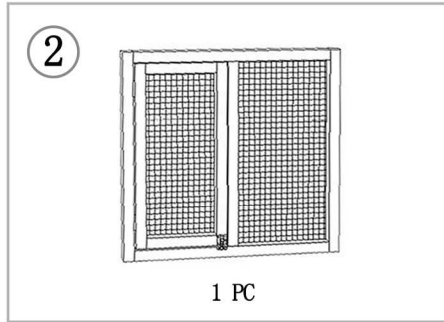
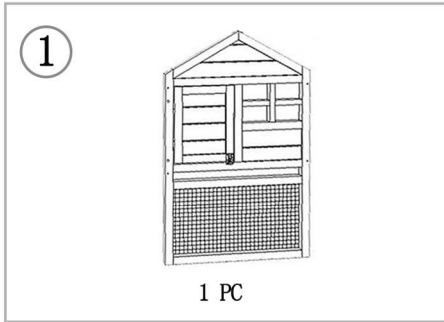


ASSEMBLY INSTRUCTIONS

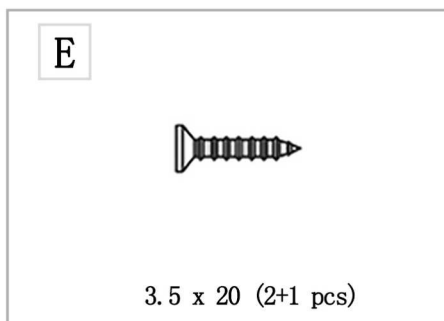
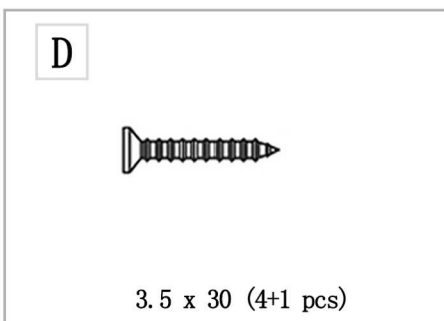
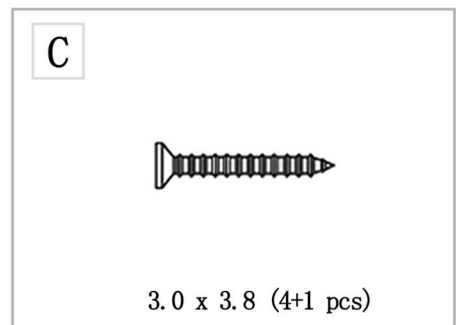
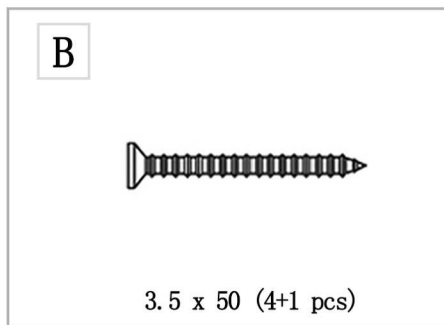
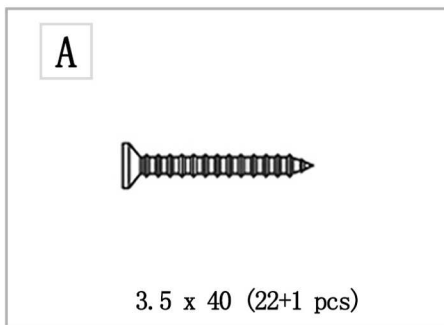
Rabbit Hutch



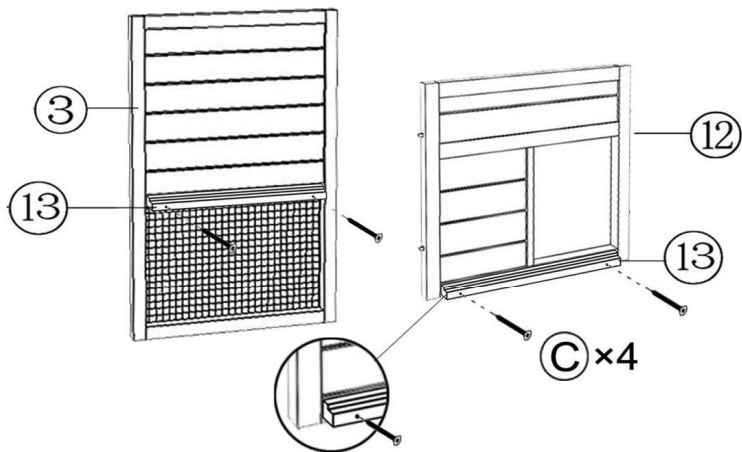
Part List



Hardware List



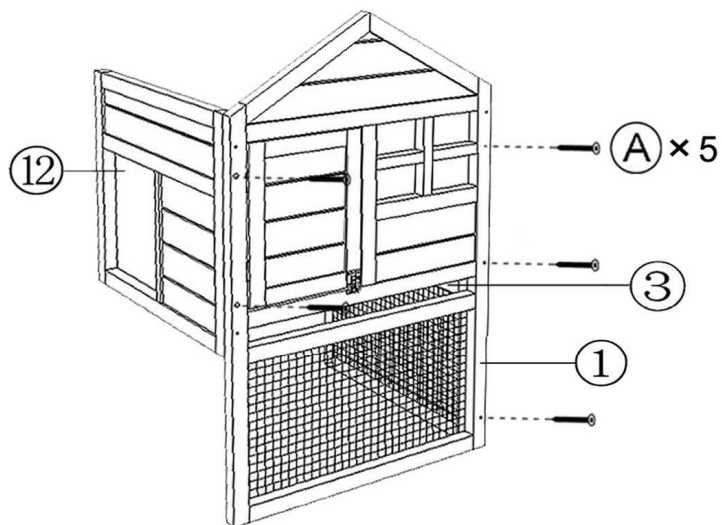
C  4PCS



Step1

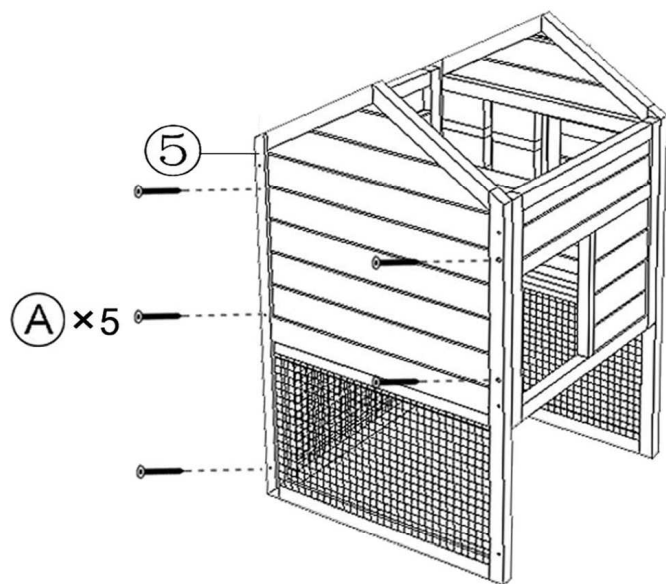
Fix holders align with the bottom edge of Middle panel

A  5PCS



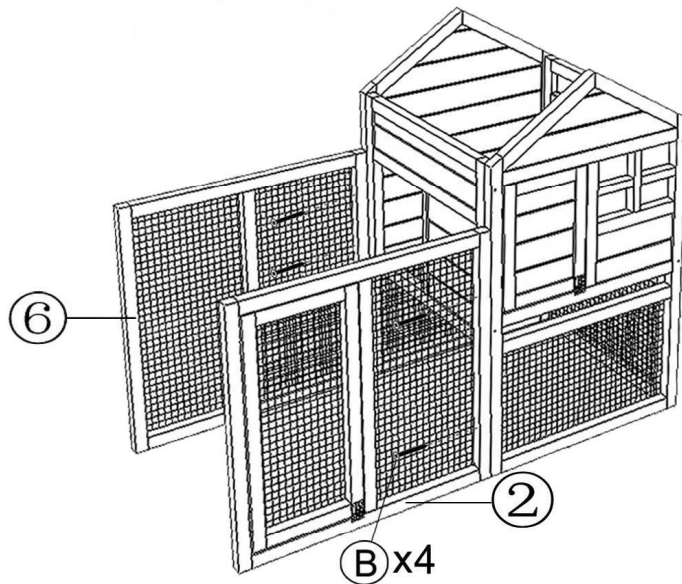
Step2

A  5PCS



Step3

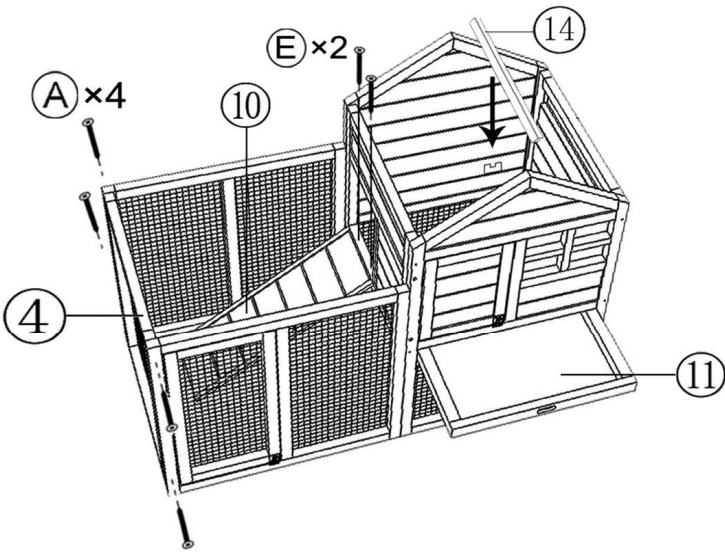
B  4PCS



Step4

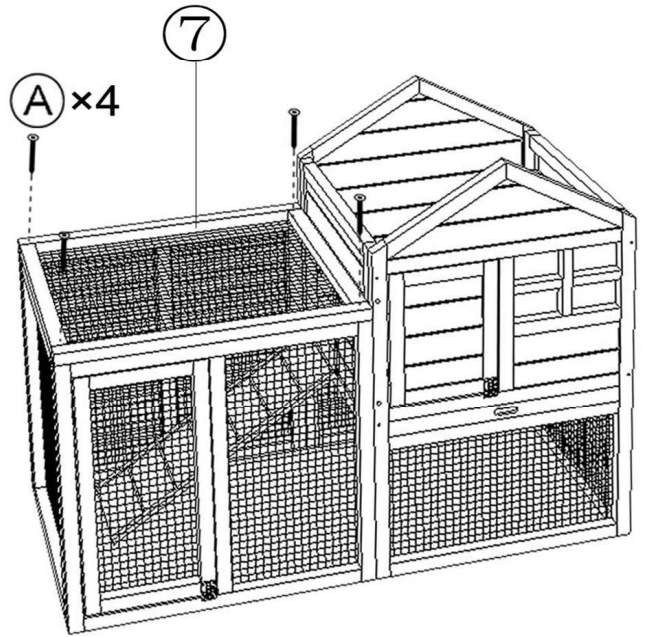
A  4PCS

E  2PCS



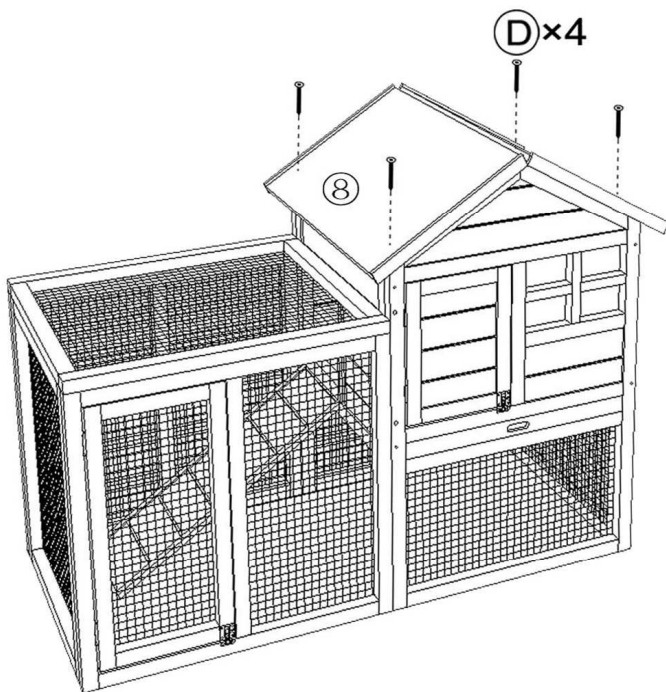
Step5

A  4PCS



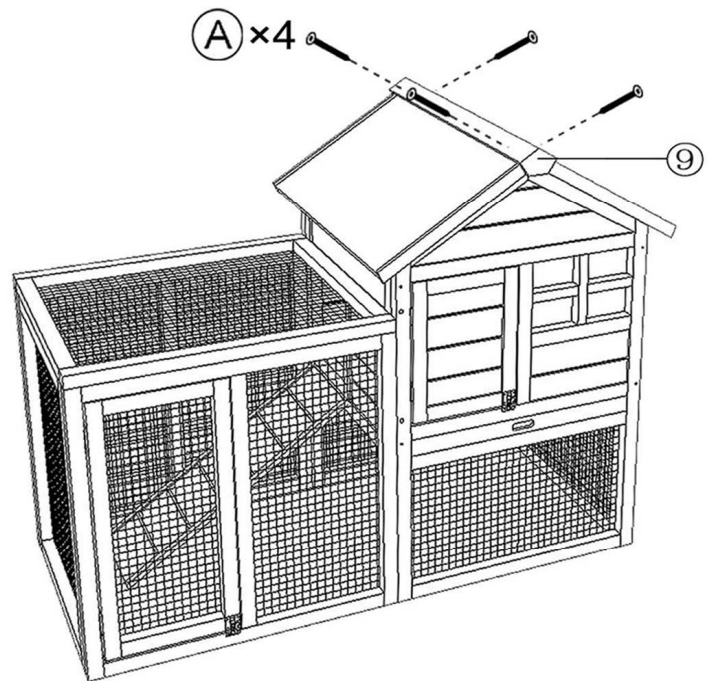
Step6

D  4PCS



Step7

A  4PCS



Step8