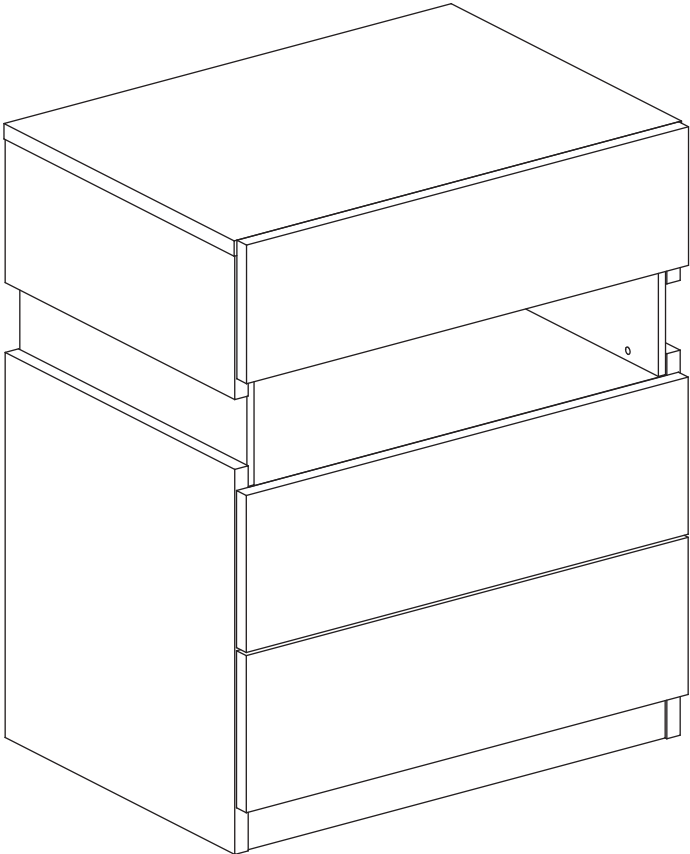
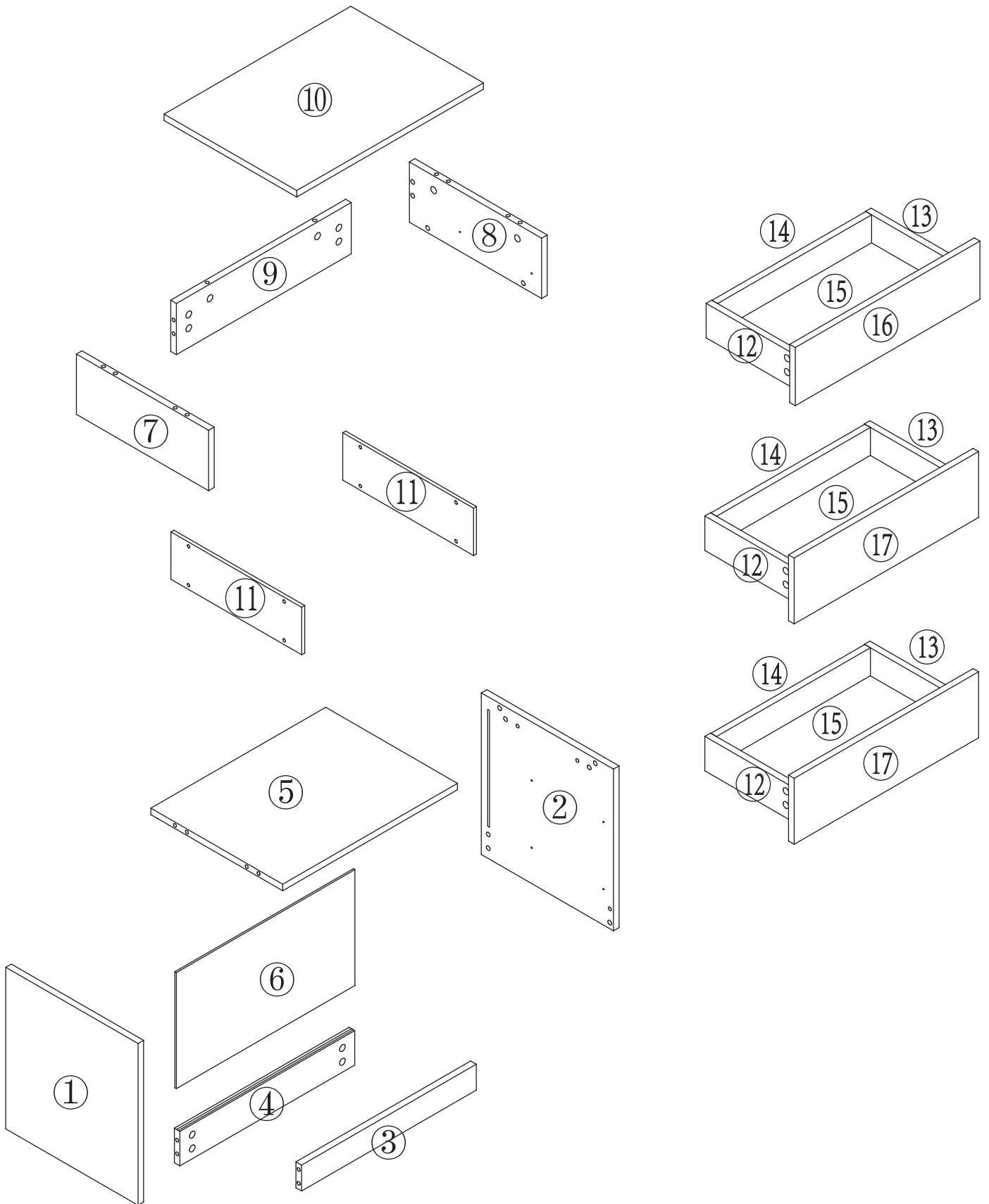


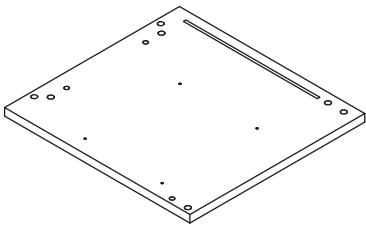
# INSTRUCTION MANUAL



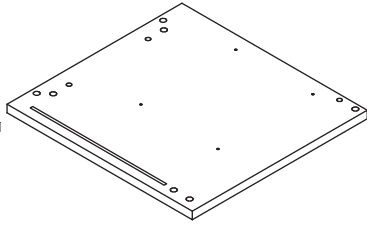
# BOARD IDENTIFICATION



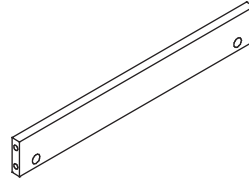
# PARTS LIST



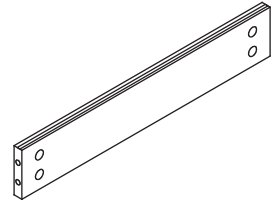
① X1



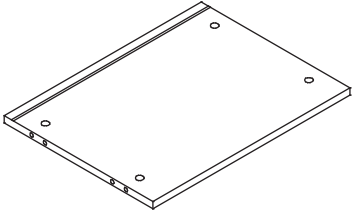
② X1



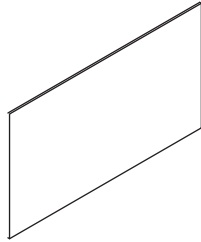
③ X1



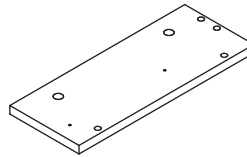
④ X1



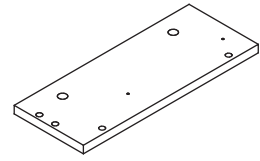
⑤ X1



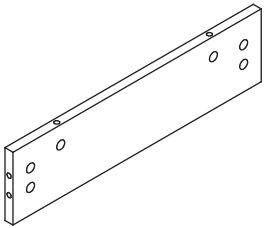
⑥ X1



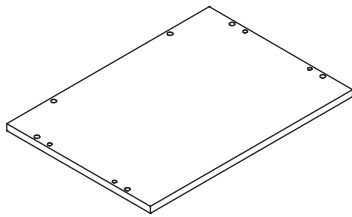
⑦ X1



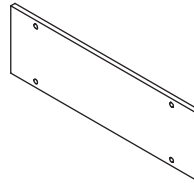
⑧ X1



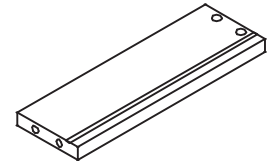
⑨ X1



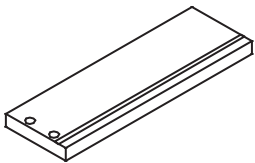
⑩ X1



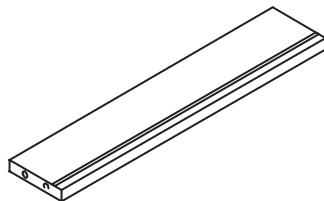
⑪ X2



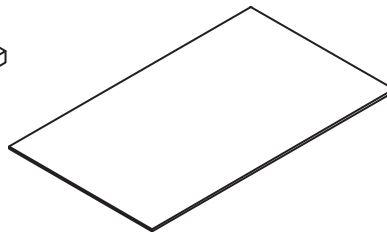
⑫ X3



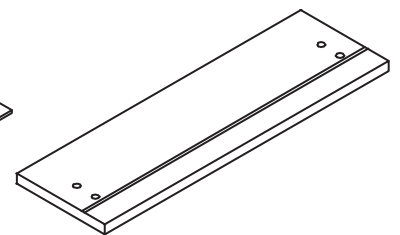
⑬ X3



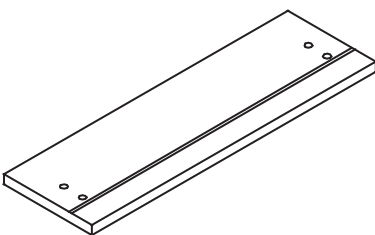
⑭ X3



⑮ X3

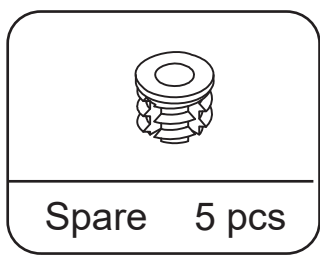
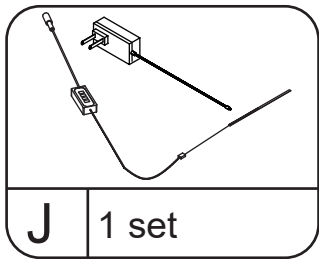
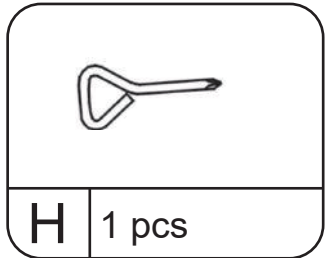
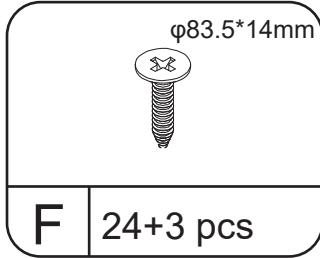
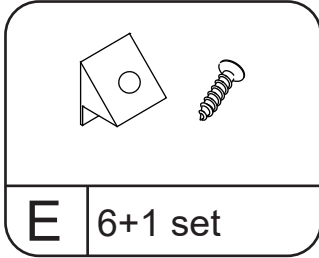
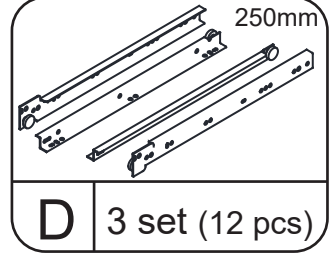
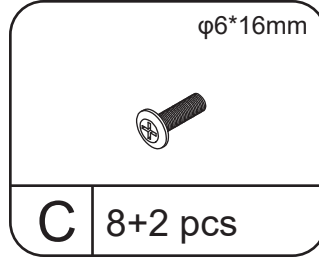
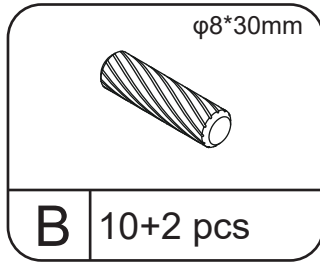
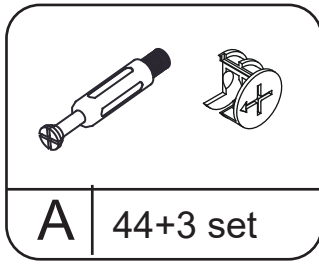


⑯ X1

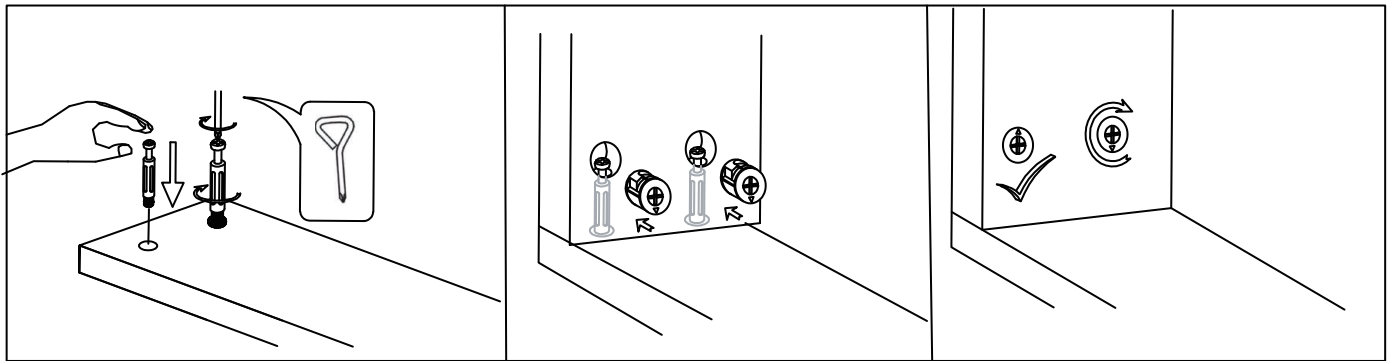


⑰ X2

# HARDWARE LIST



If the nut is missing from the panel,  
use a hammer to drive in the spare nut

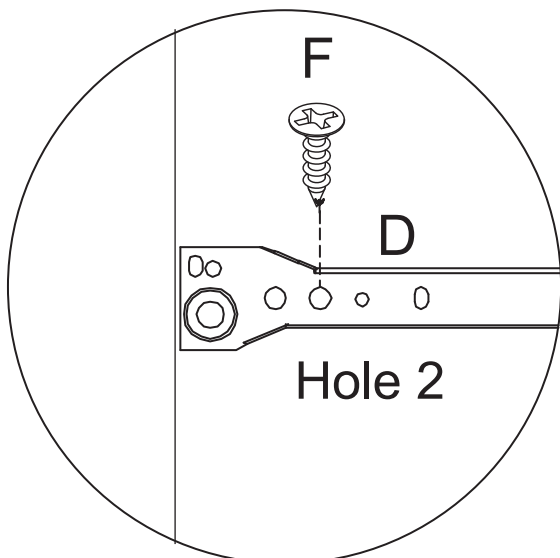
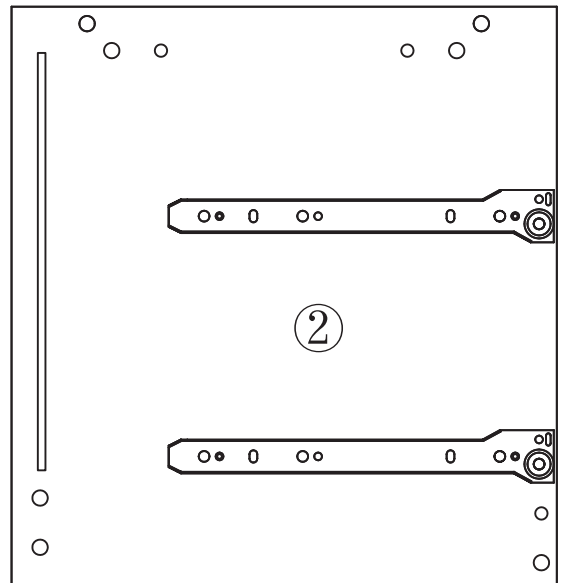
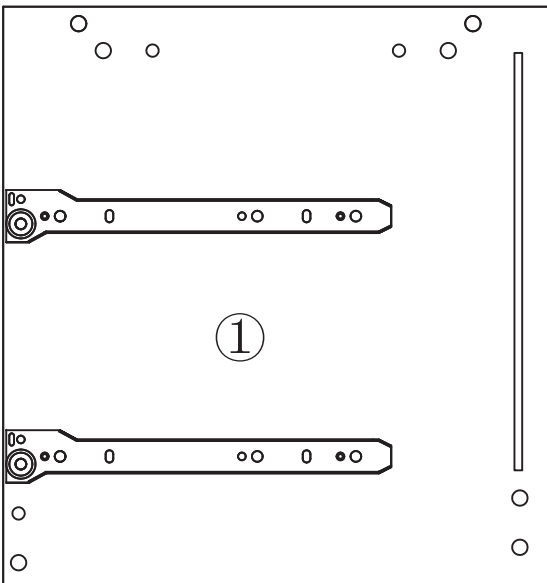
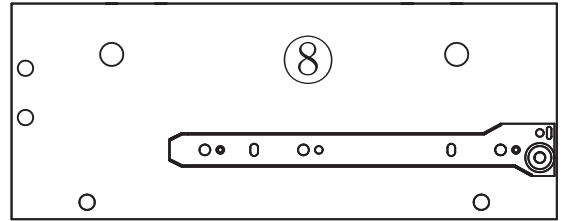
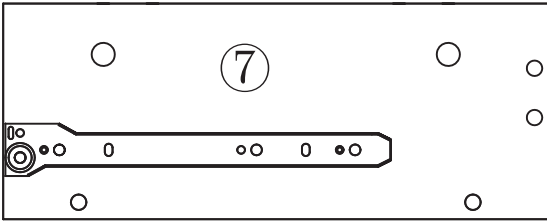


## Attention :

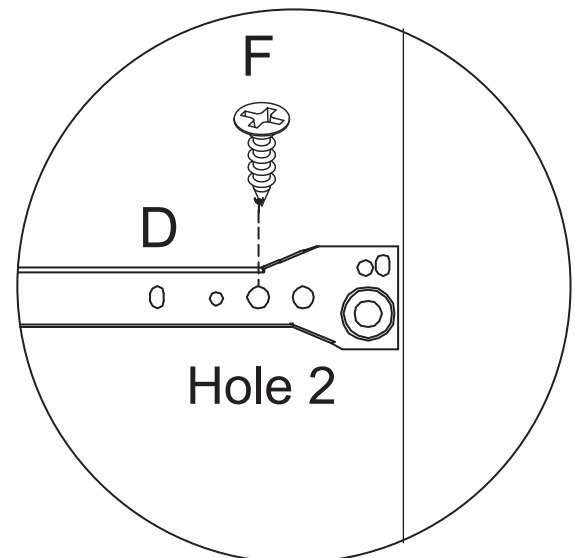
1. Please place the product on the carpet or carton to assemble to avoid scratching the floor;
2. During the installation process, keep away from children and pets, and avoid accidentally swallowing spare parts;
3. It is recommended to use a low-speed electric drill for installation.

# INSTRUCTION MANUAL

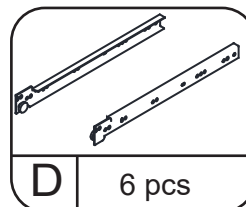
## Step 1



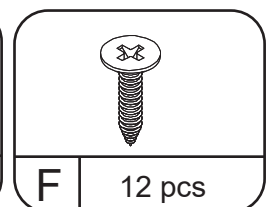
Outer rail



Outer rail



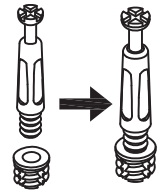
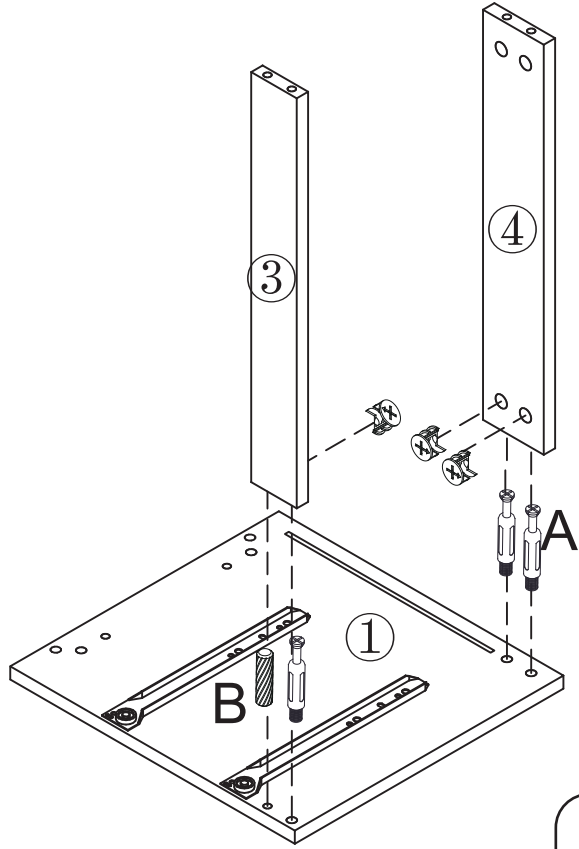
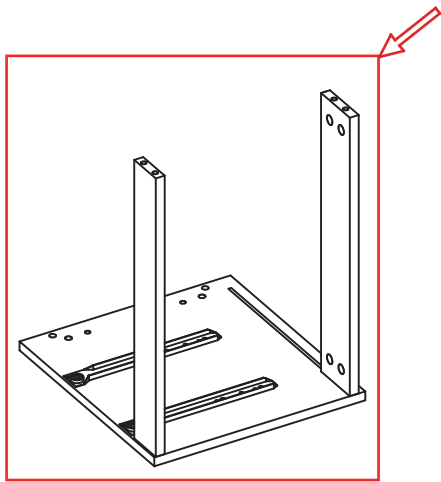
D 6 pcs



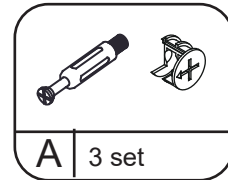
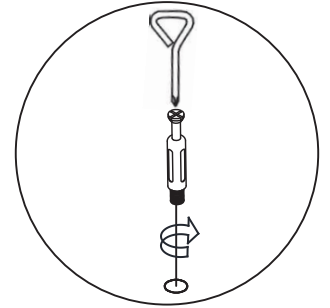
F 12 pcs

# INSTRUCTION MANUAL

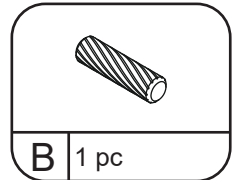
## Step 2



(Attention: Cam bolt & Insert nut need to be put together)

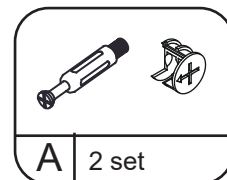
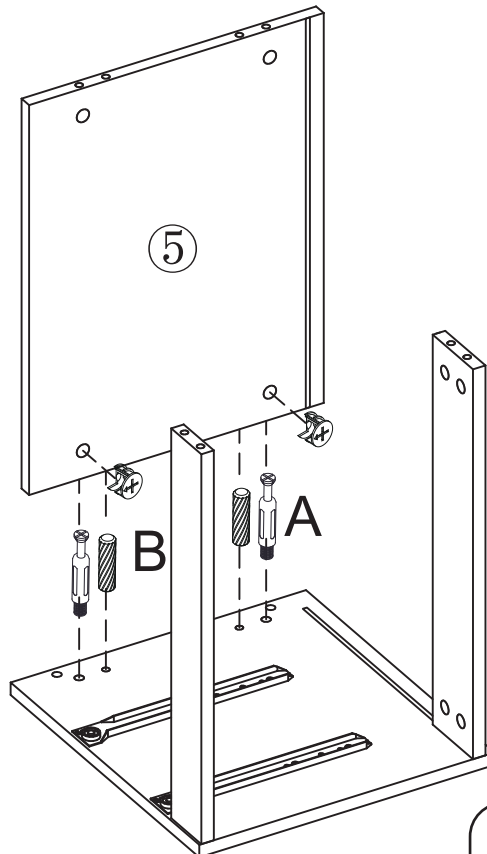
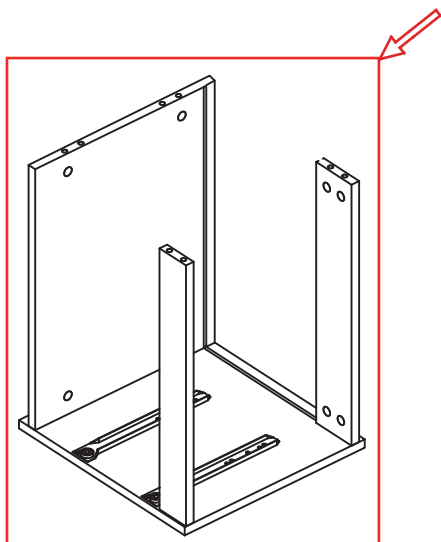


A 3 set

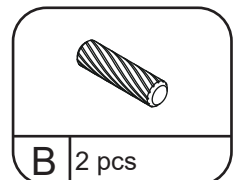


B 1 pc

## Step 3



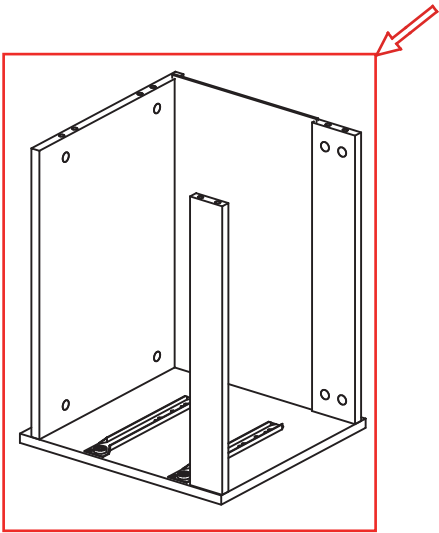
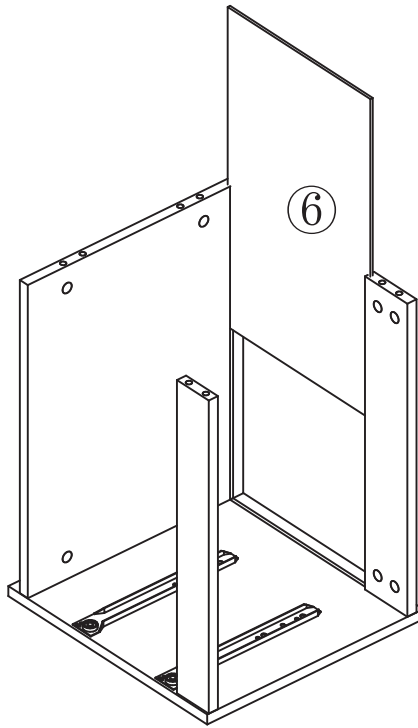
A 2 set



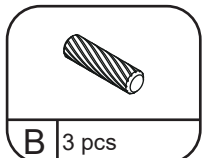
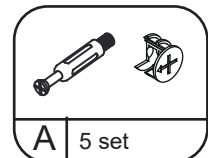
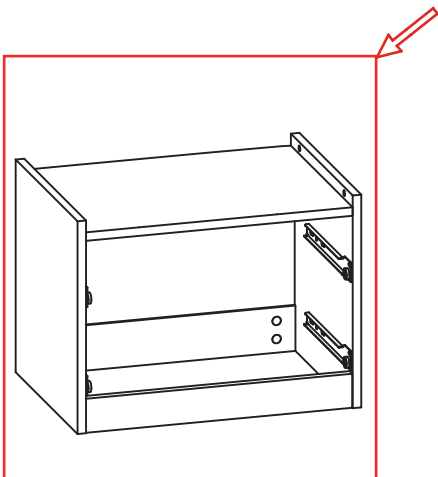
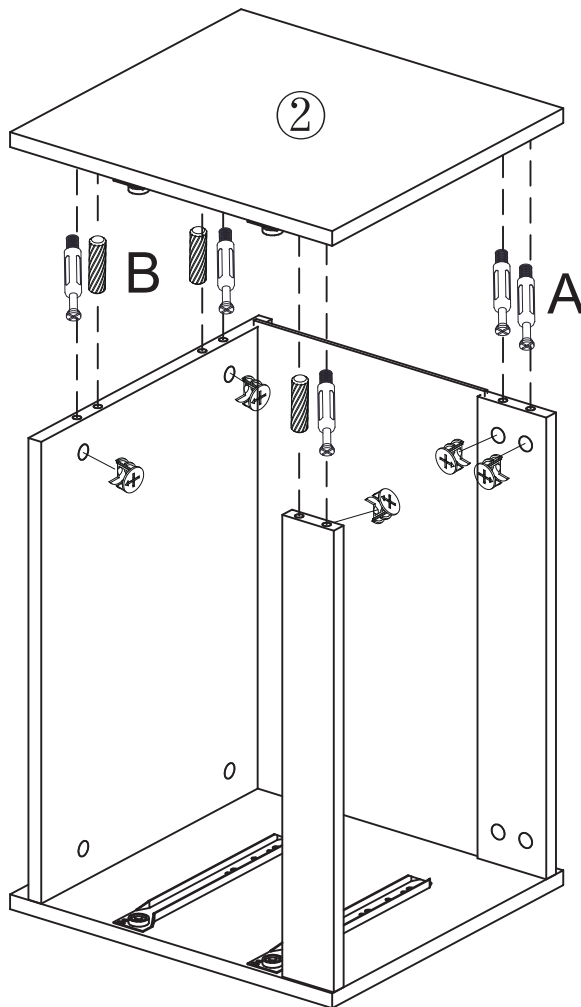
B 2 pcs

# INSTRUCTION MANUAL

## Step 4

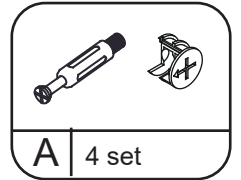
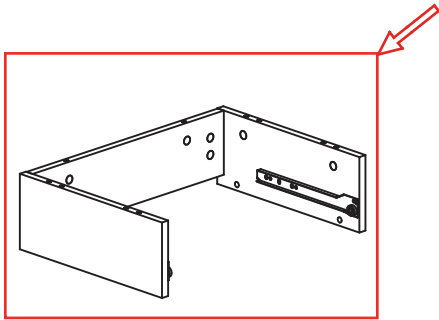
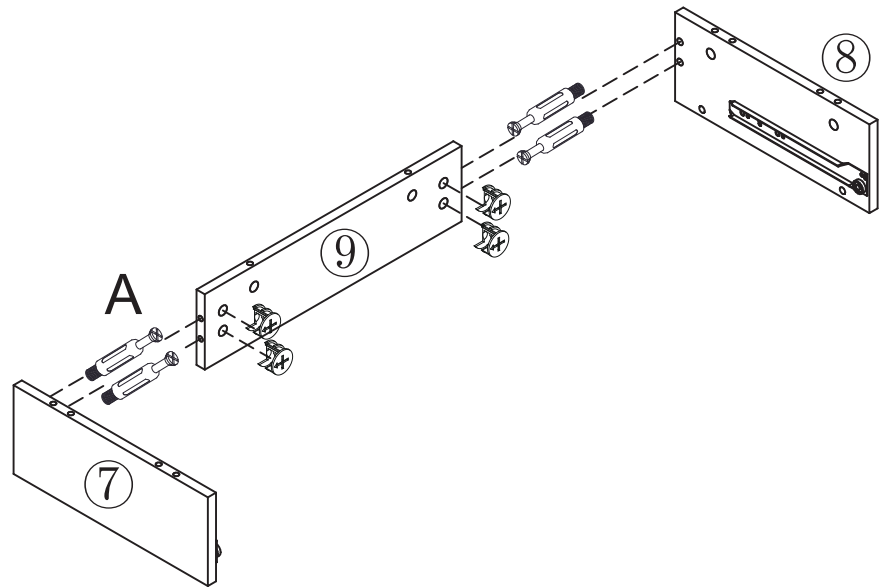


## Step 5

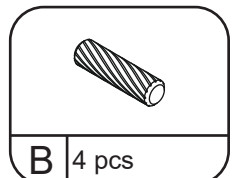
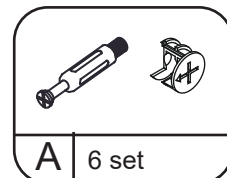
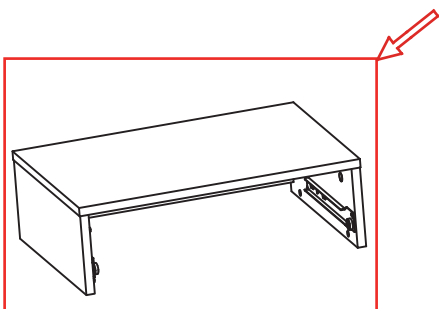
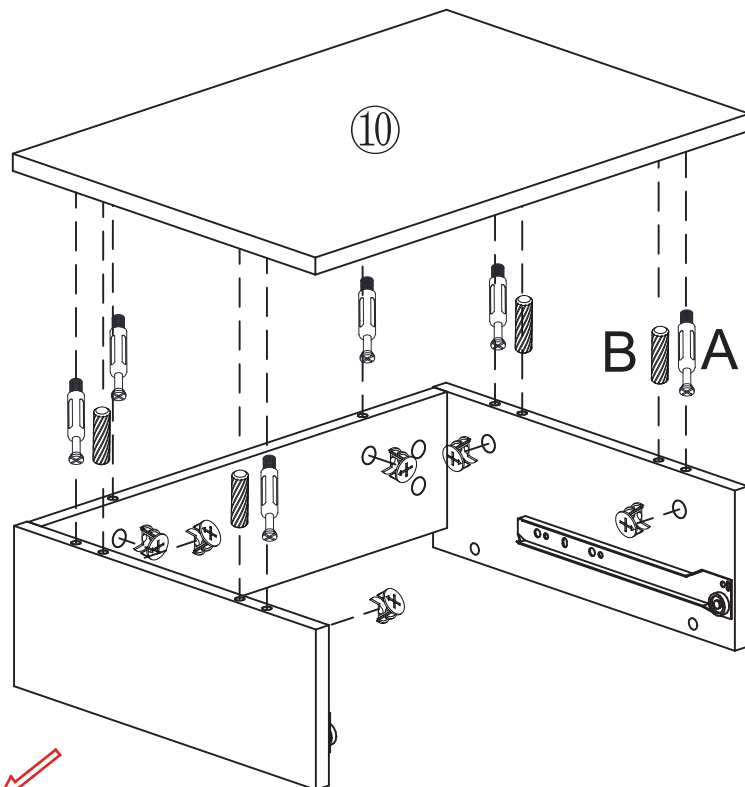


# INSTRUCTION MANUAL

## Step 6



## Step 7



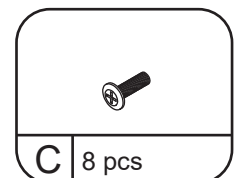
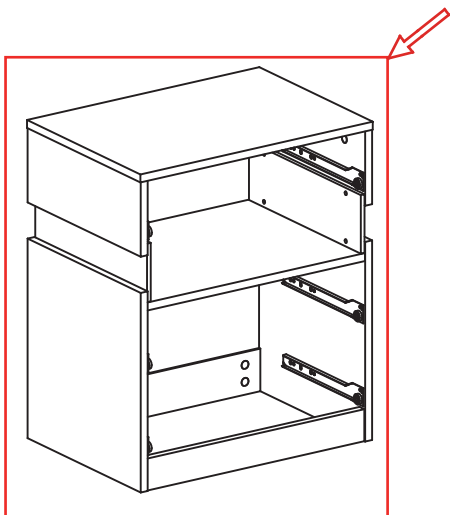
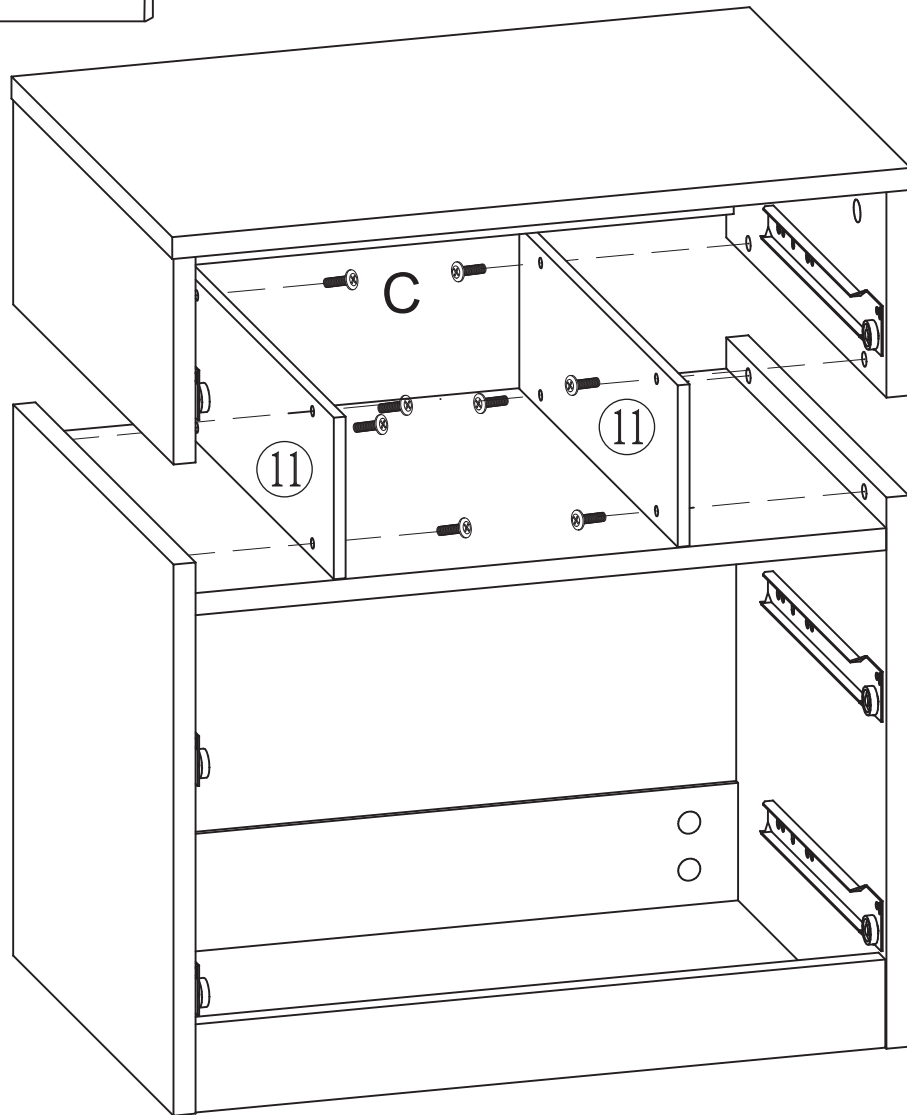


## Step 8

11

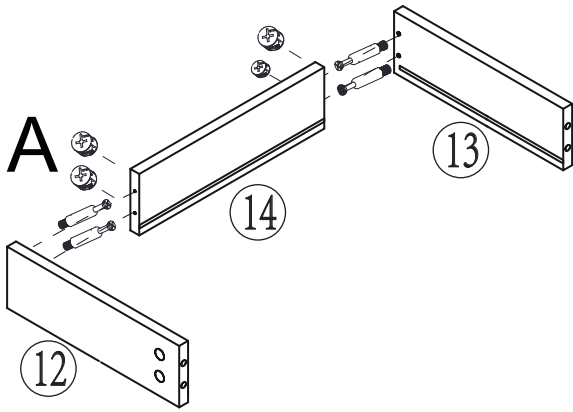


There is a protective film on both sides, please tear it off.

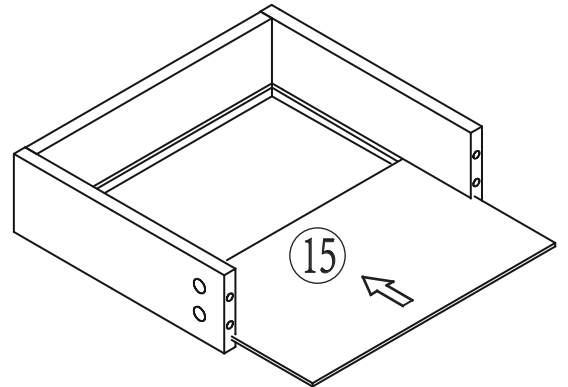


# INSTRUCTION MANUAL

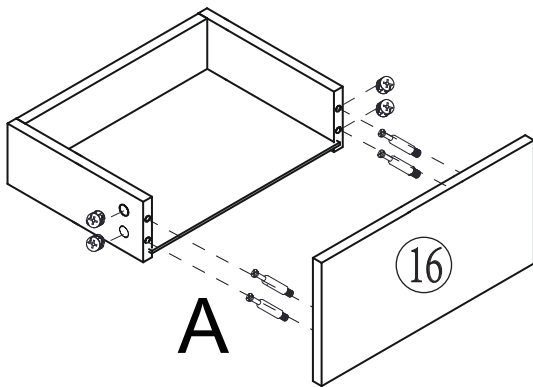
## Step 9



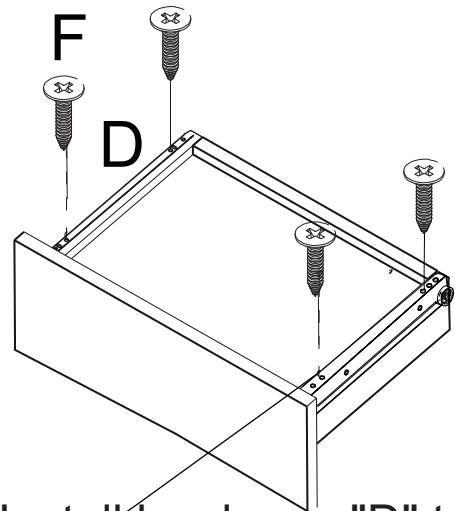
1. Connect part 12 & 13 to 14



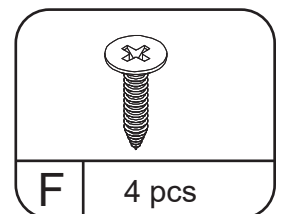
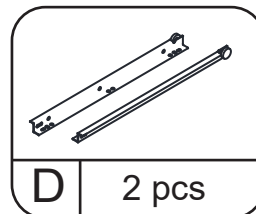
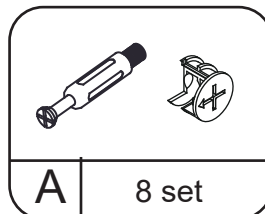
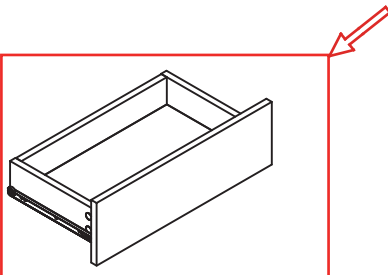
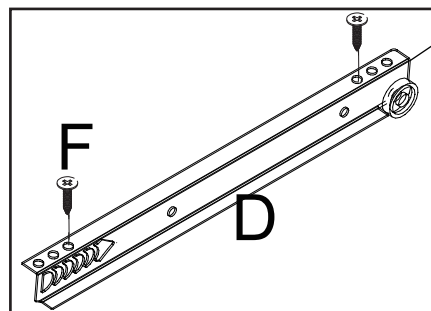
2. Insert part 15



3. Connect Part 16

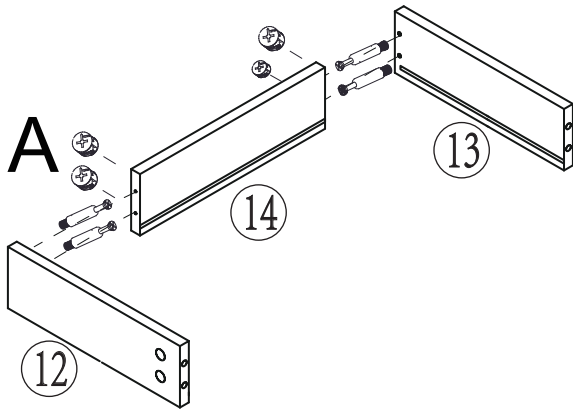


4. Install hardware "D" to part 12 & 13 according to the pre-drilled holes

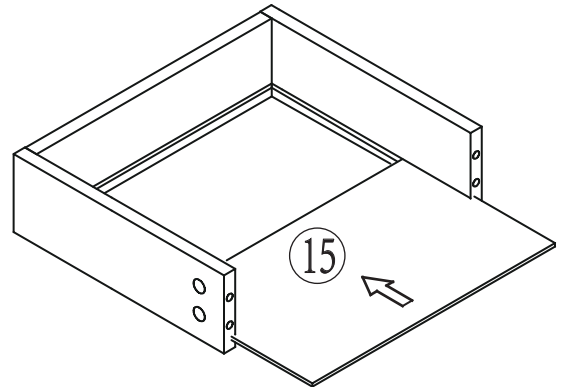


# INSTRUCTION MANUAL

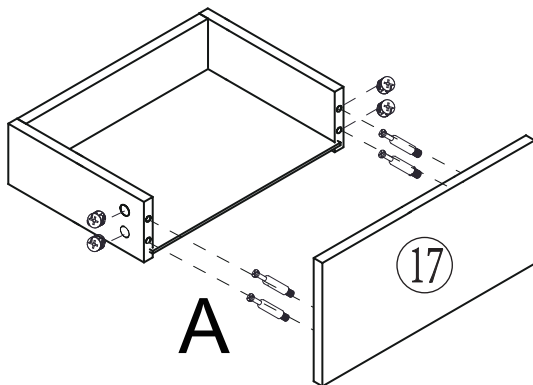
## Step 10 X2



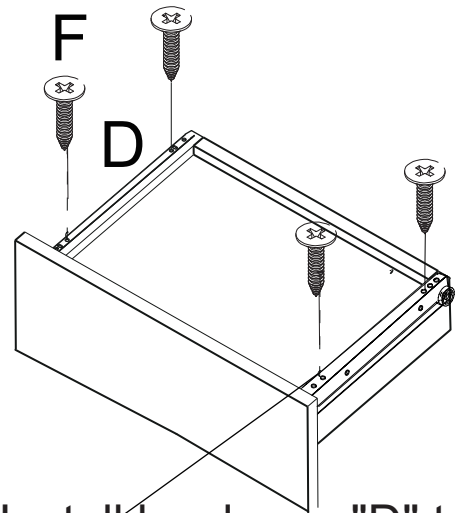
1. Connect part 12 & 13 to 14



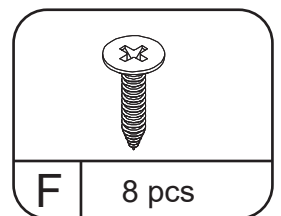
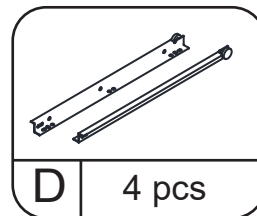
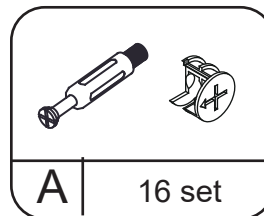
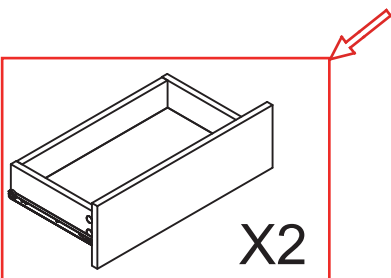
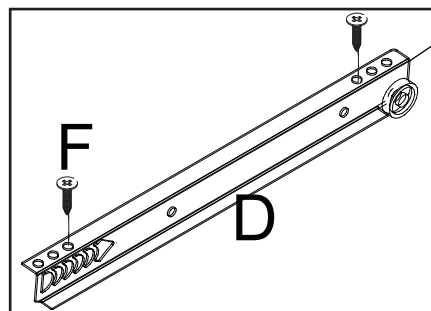
2. Insert part 15



3. Connect Part 17



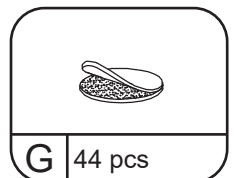
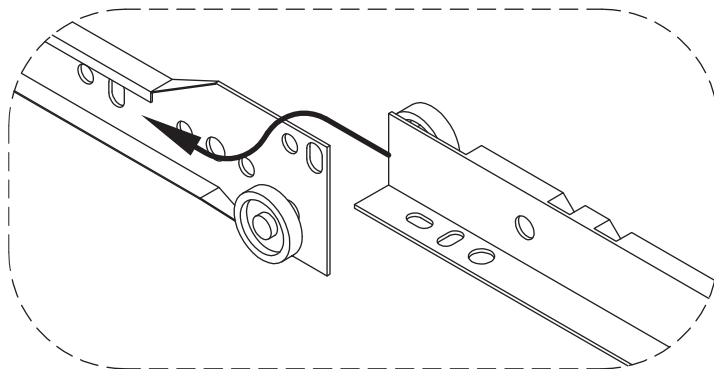
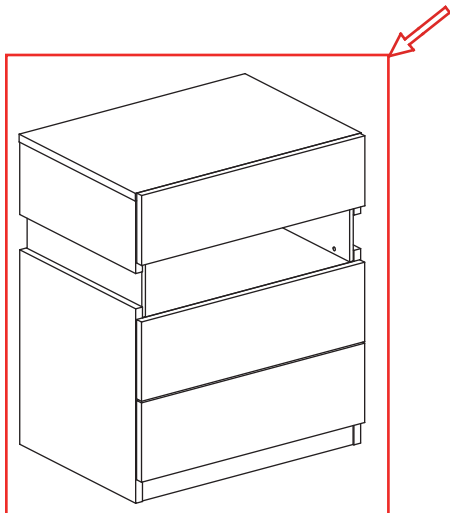
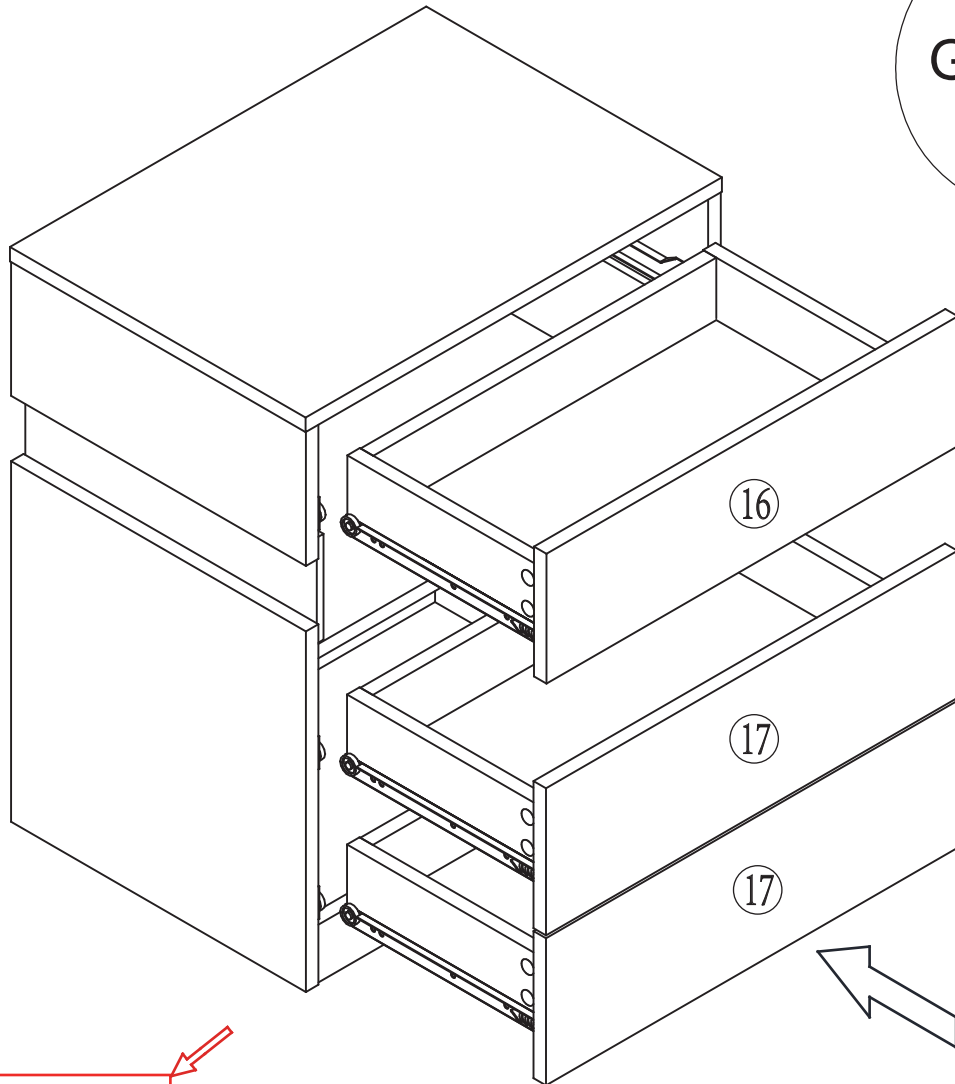
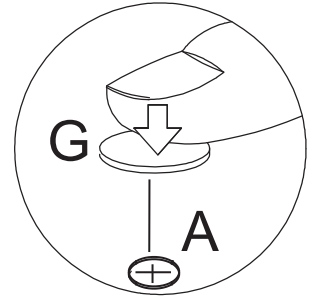
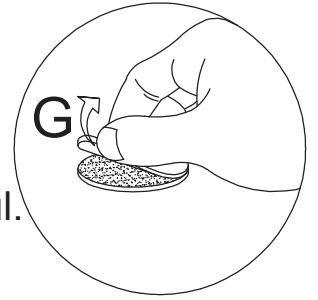
4. Install hardware "D" to part 12 & 13 according to the pre-drilled holes



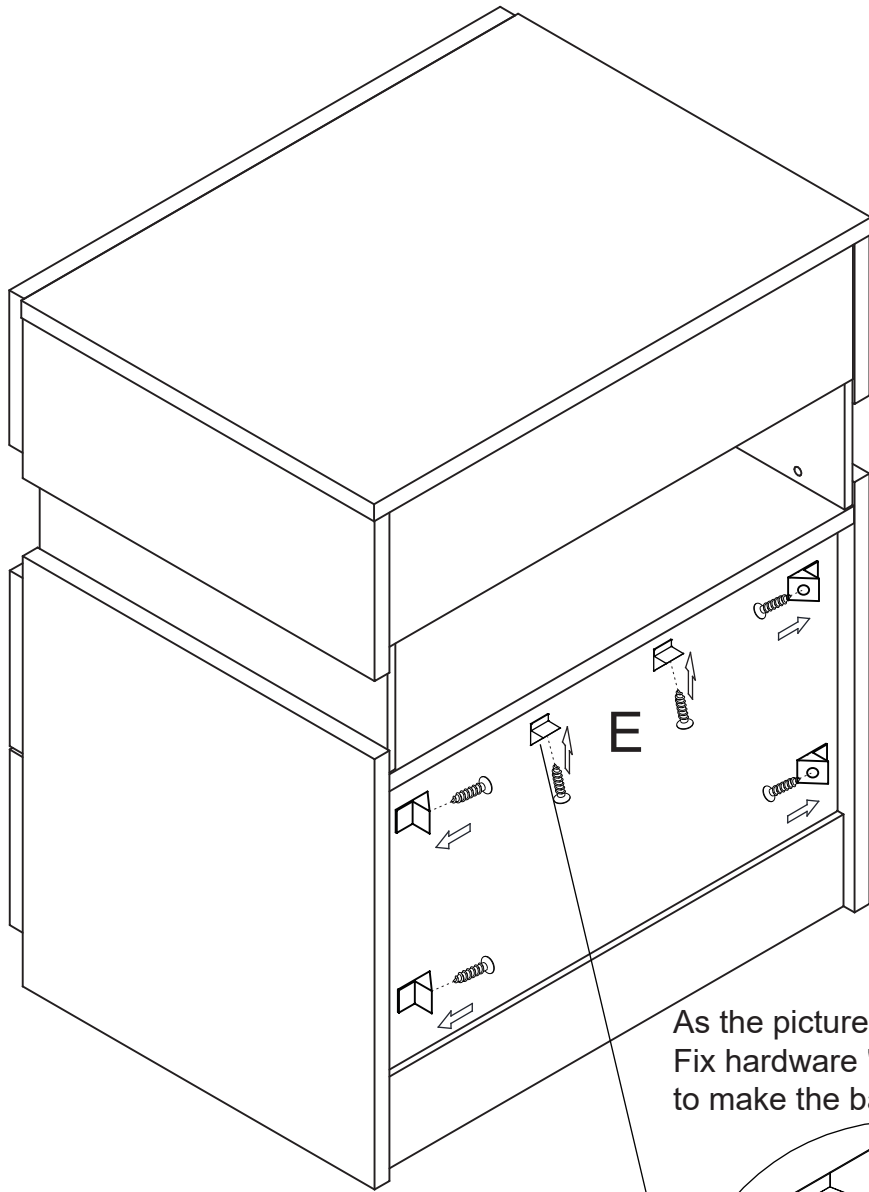
# INSTRUCTION MANUAL

## Step 11

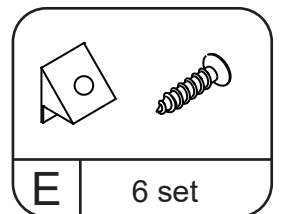
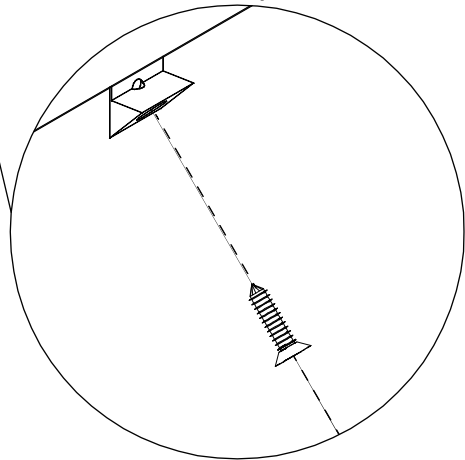
Please stick the hardware "G" on the exposed cam lock hole that makes your product more beautiful.



## Step 12



As the picture shows,  
Fix hardware "E" into the gap with screws  
to make the back panel more stable.



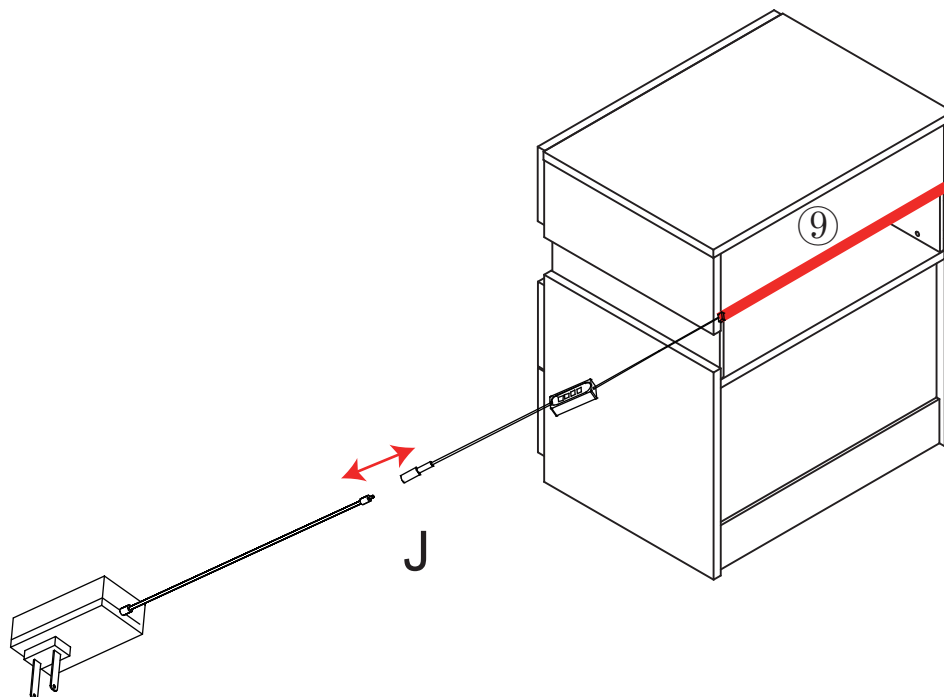
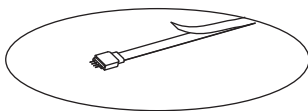
# INSTRUCTION MANUAL

## Step 13

Stick Light strip to the ⑨

Note:

If the Light strip is pasted incorrectly, it should be gently removed to prevent damage.



Note: The installation direction of the LED light strip can be left and right, either side is OK.

