



Safety And Care Advice

Important – Please read these instructions fully before starting assembly.

Please check if all the components and tools listed on pages 3 – 4 are received.

Please remove all fittings from the plastic bags and separate them into homologous groups.

Please keep children and animals away from the working areas; swallow small parts may cause suffocation.

Please make sure you have enough space to lay out the parts before starting.

Do not stand on the product, which could cause damage.

Please assemble the product as close to its final position as possible.

Do not place furniture directly in front of radiators, fires, or any other source of heat.

The assembly will be easier with 2 people.

Please dispose of all packaging carefully and responsibly.



General care and maintenance.

Please clean with a damp cloth or mild detergent, do not use bleach or abrasive cleaners.

Do not allow the spill to stay on the surface for a long time.

Do not clean with products containing the following: acetone (e.g., nail varnish remover), ammonia (e.g.bleach), or sodium hydroxide(e.g., caustic soda, drain, and oven cleaners).

If the product is accidentally exposed to the irritating liquid, rinse thoroughly with clean water

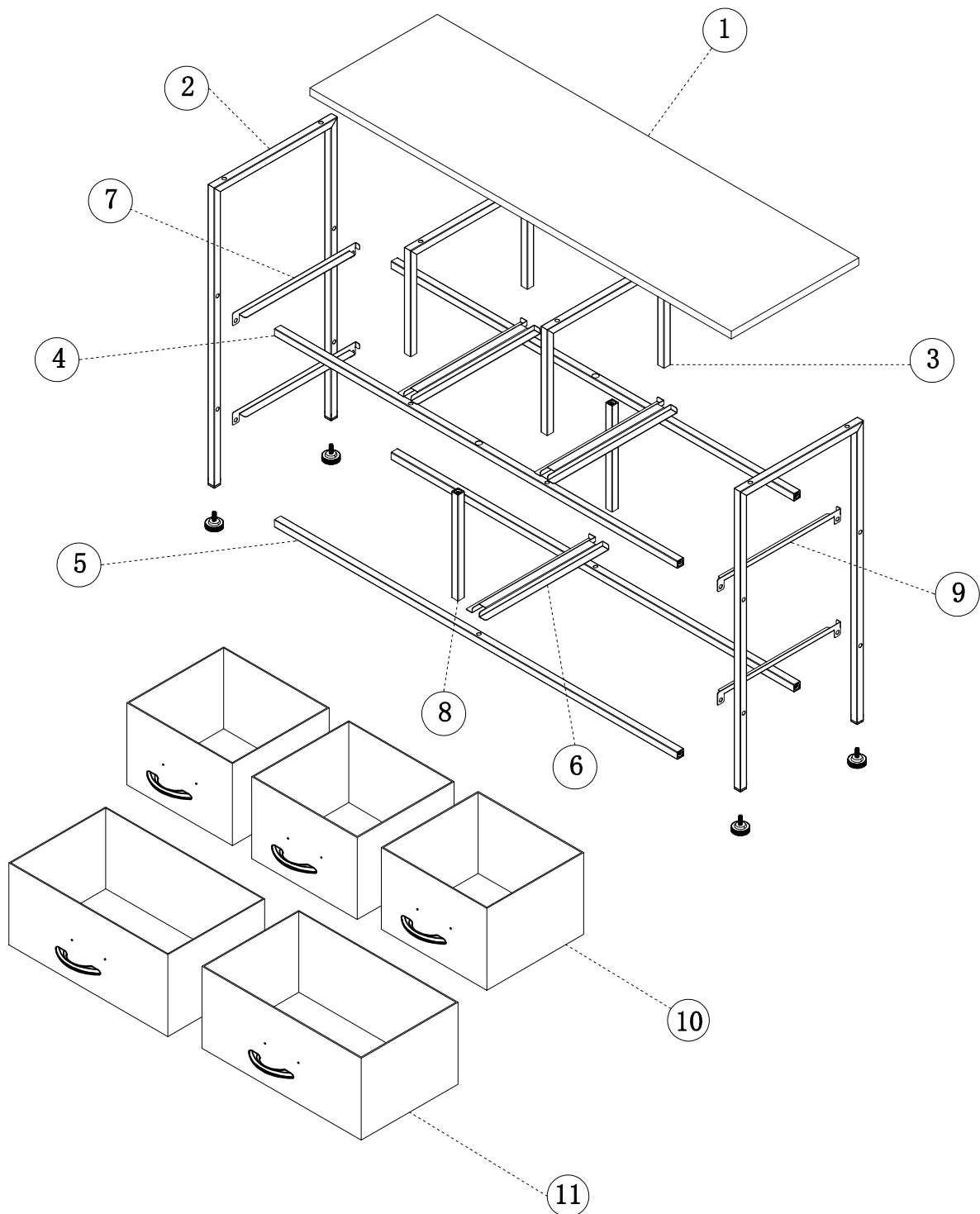
Mats can be used to protect surfaces from moisture and heat.

Please check whether there are missing screws in the product regularly

The product should not be discarded with household waste, and please take it to your local authority waste disposal center

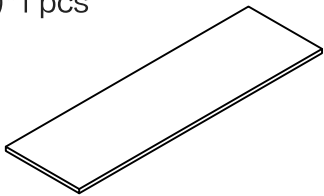
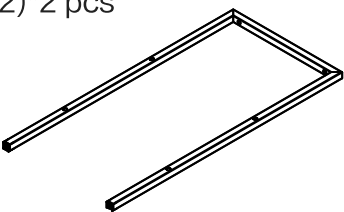
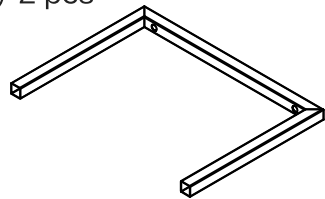
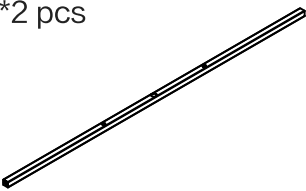
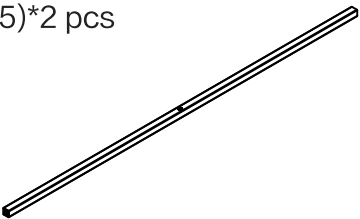
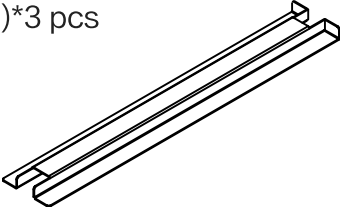
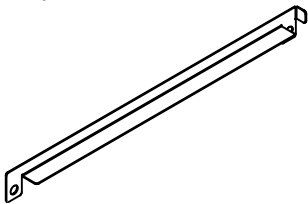
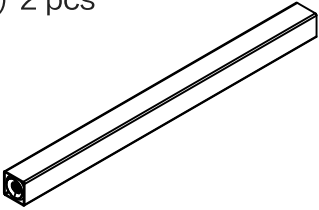
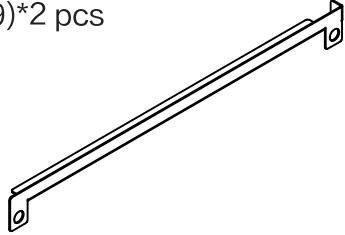
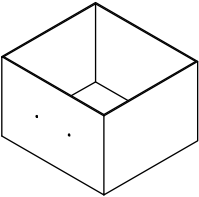
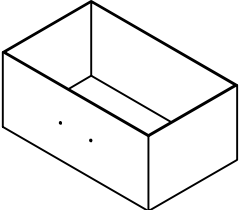
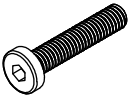
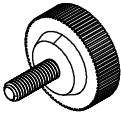


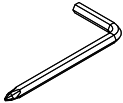
Components

Please check if all the pieces listed below are received.



Components

Please check if all the pieces listed below are received.

(1)*1 pcs 	(2)*2 pcs 	(3)*2 pcs 		
(4)*2 pcs 	(5)*2 pcs 	(6)*3 pcs 		
(7)*2 pcs 	(8)*2 pcs 	(9)*2 pcs 		
(10)*3 pcs 	(11)*2 pcs 			
(A)*24+1 pcs  M6*25	(B)*4 pcs 	(C)*10+1 pcs 	(D)*5 pcs 	(E)*1 pcs 

Assembly Instructions

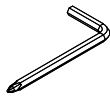
Please use the screws correctly, otherwise the product will be seriously damaged!

Step 1

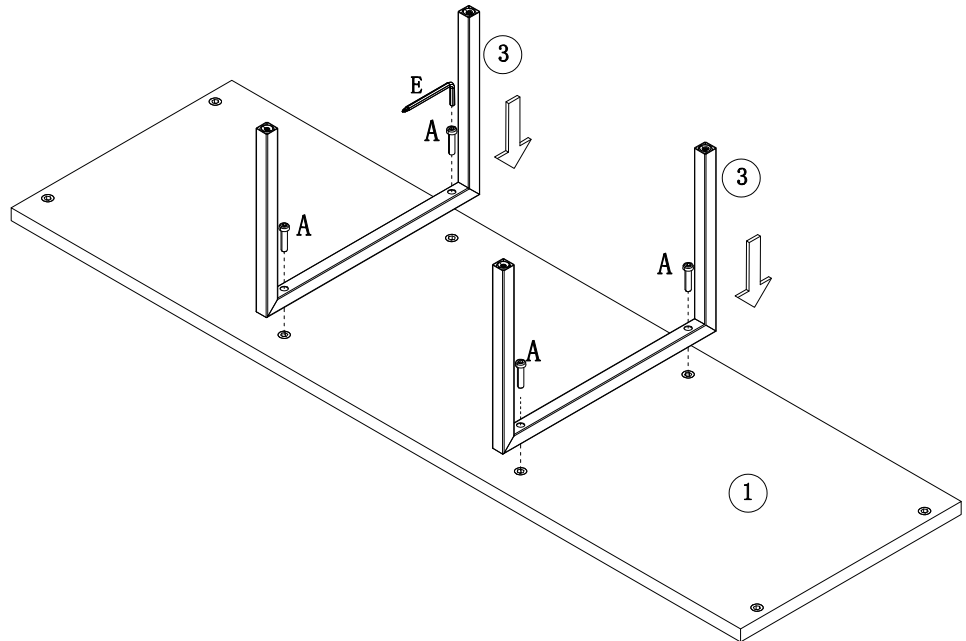
A x4pcs



E x1pcs



*Do not tighten the screws at this step.



Step 2

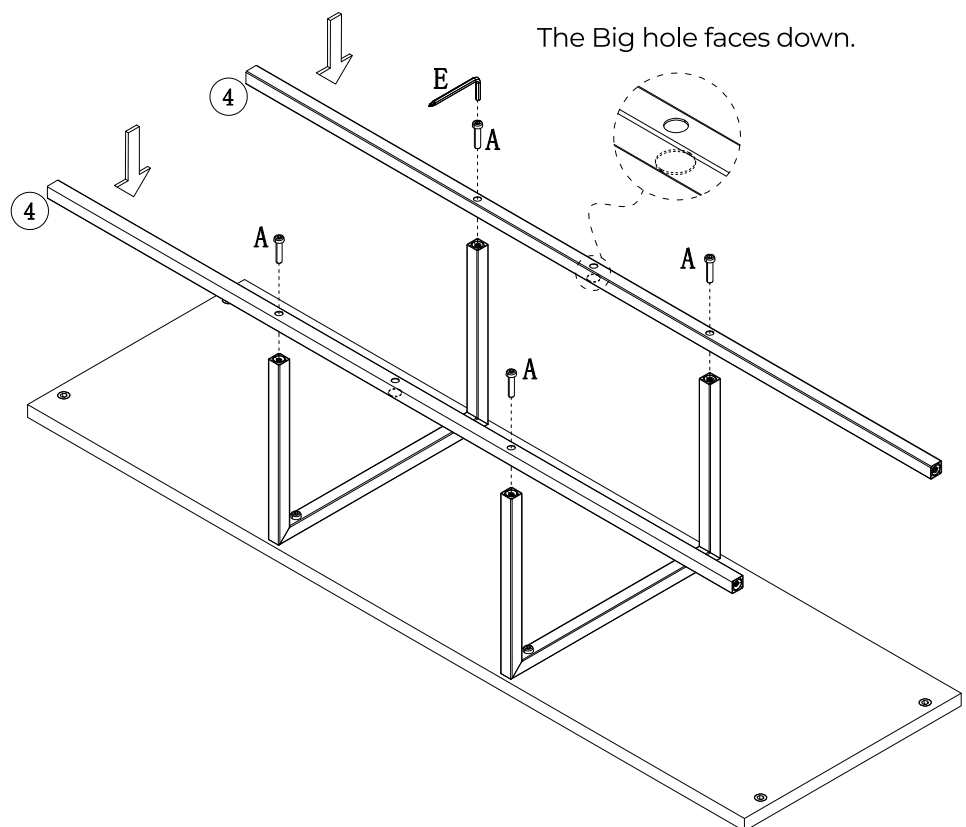
A x4pcs



E x1pcs



*Do not tighten the screws at this step.



Assembly Instructions

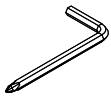
Please use the screws correctly, otherwise the product will be seriously damaged!

Step 3

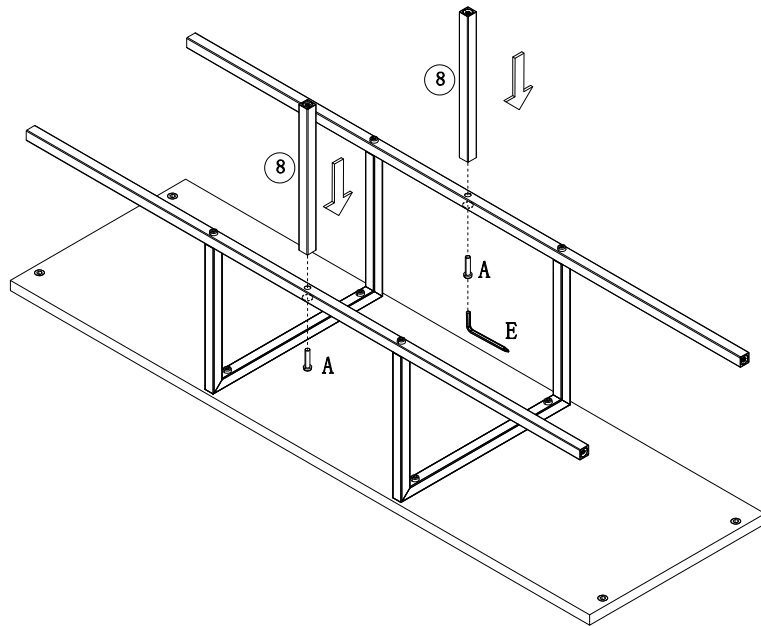
A x2pcs



E x1pcs



*Do not tighten the screws at this step.

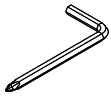


Step 4

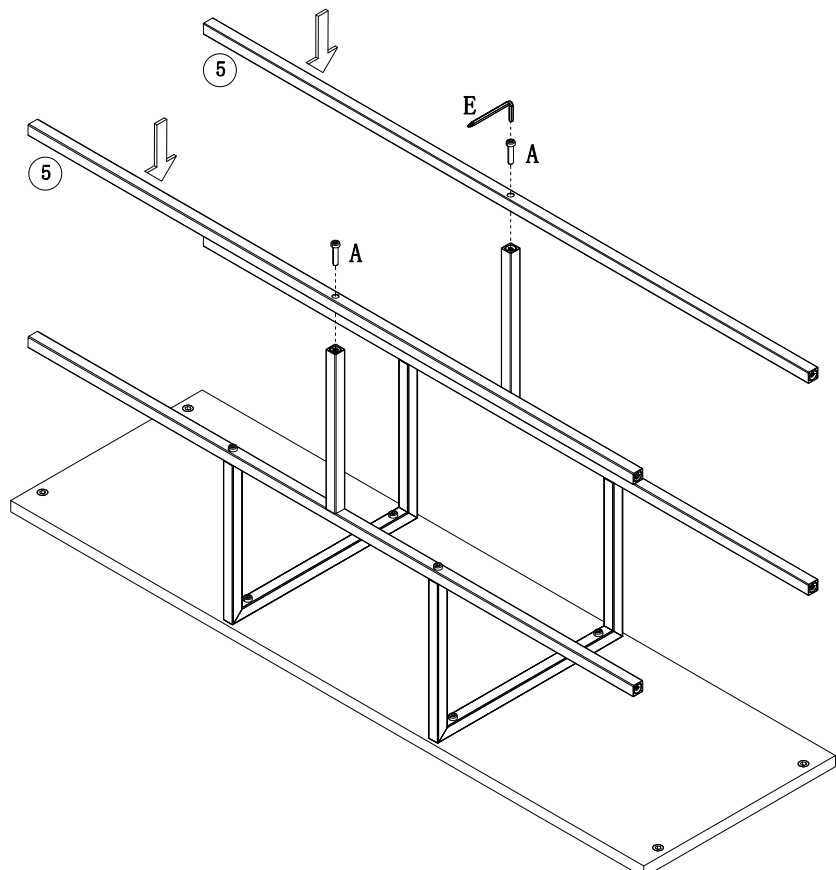
A x2pcs



E x1pcs



*Do not tighten the screws at this step.

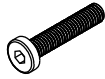


Assembly Instructions

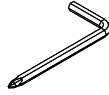
Please use the screws correctly, otherwise the product will be seriously damaged!

Step 5

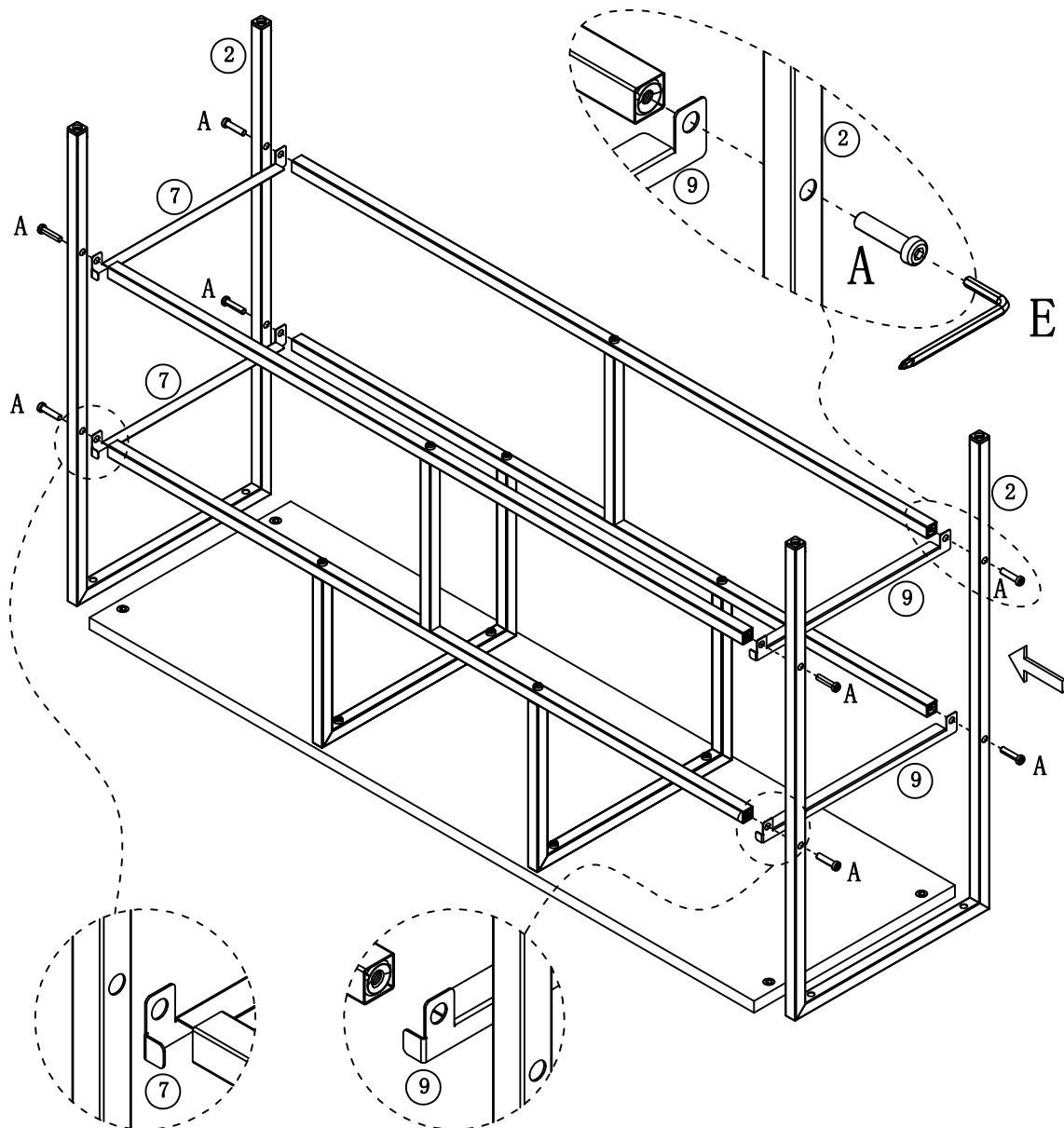
A x8pcs



E x1pcs



*Do not tighten the screws at this step.



The end state of ⑦/⑨.

Assembly Instructions

Please use the screws correctly, otherwise the product will be seriously damaged!

Step 6

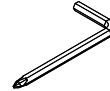
A x4pcs



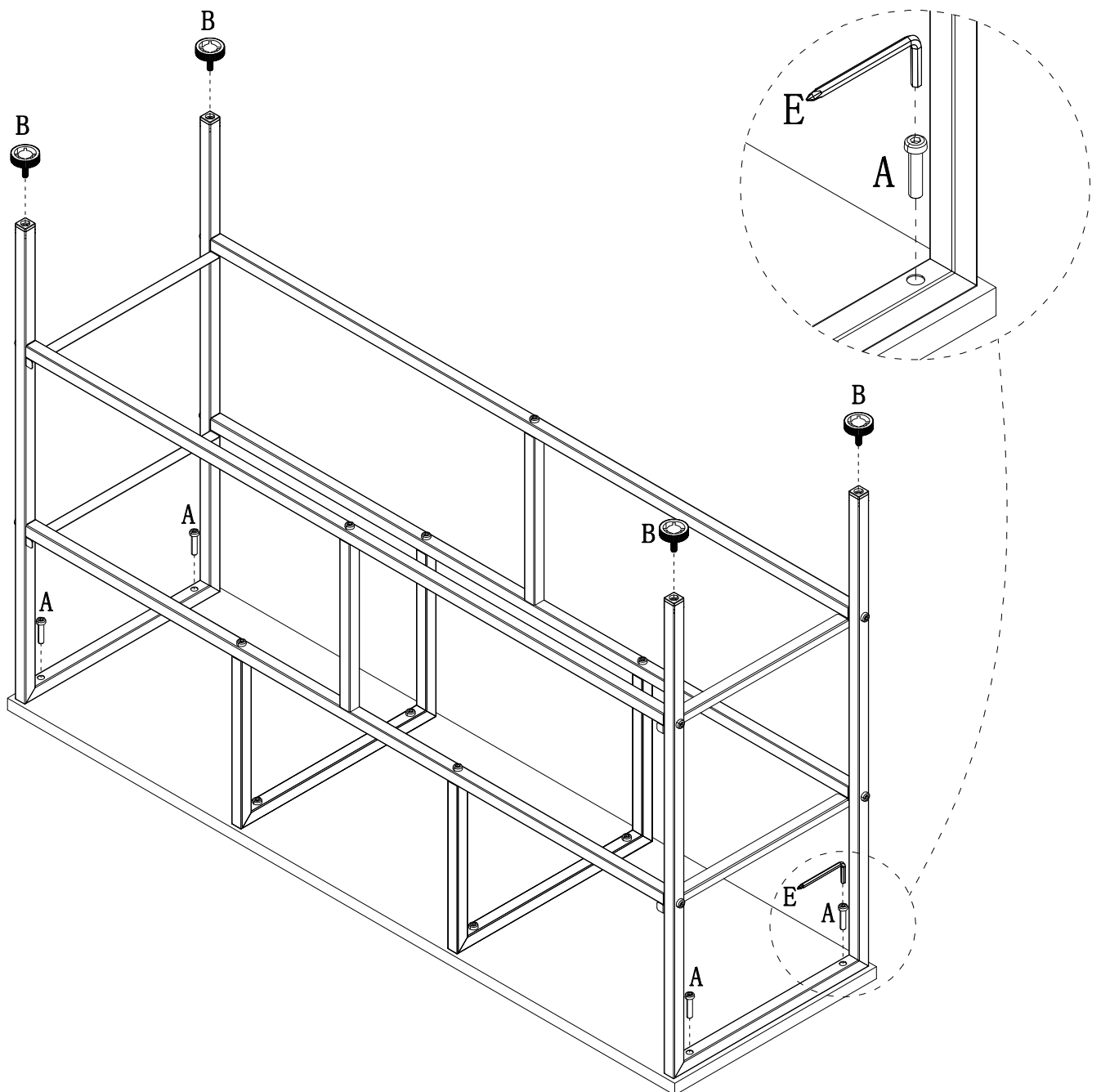
B x4pcs



E x1pcs



*Do not tighten the screws at this step.

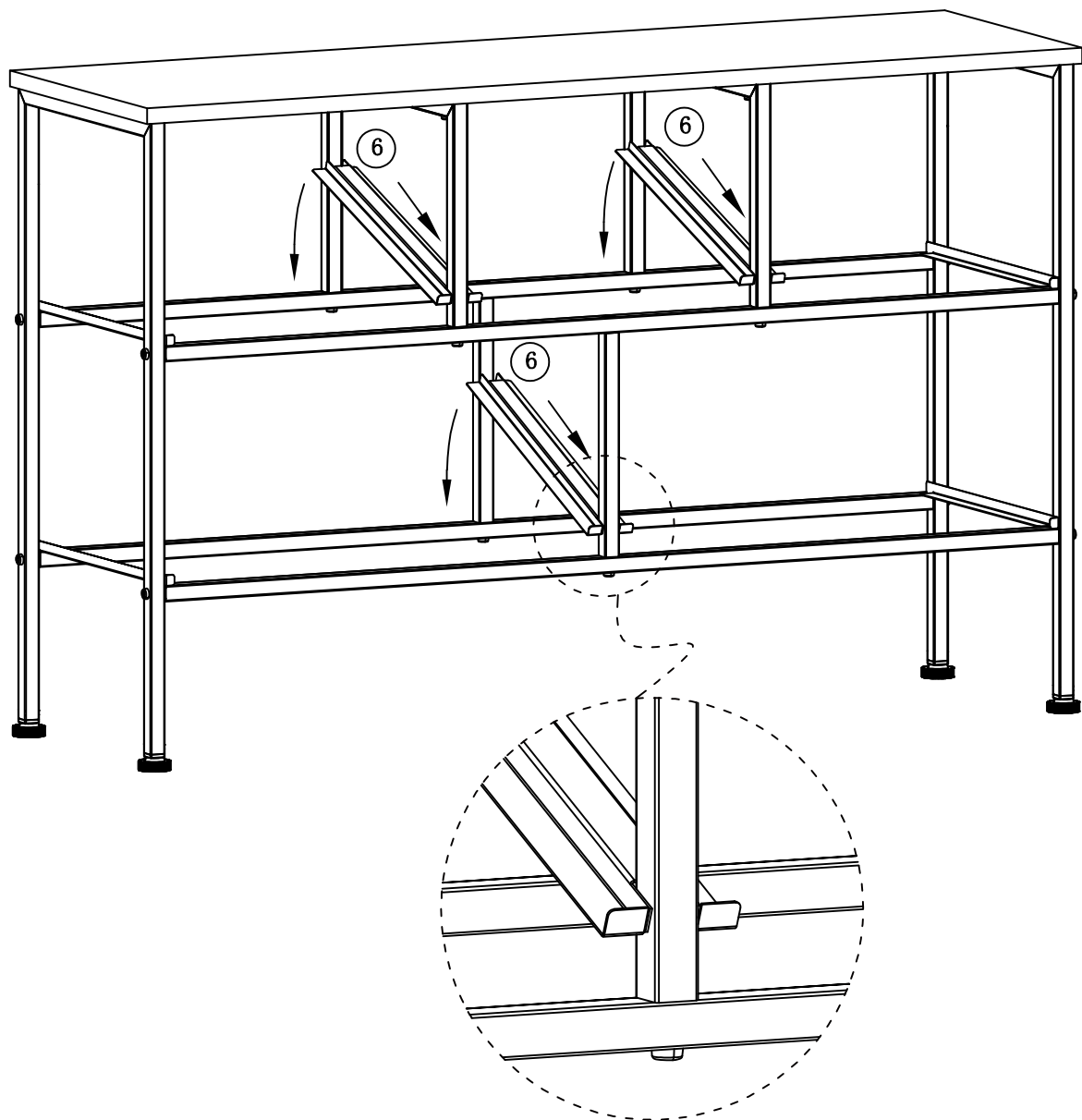


Assembly Instructions

Please use the screws correctly, otherwise the product will be seriously damaged!

Step 7

*Do not tighten the screws at this step.



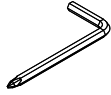
⑥ Should be consistent with the end state of ⑦/⑨.

Assembly Instructions

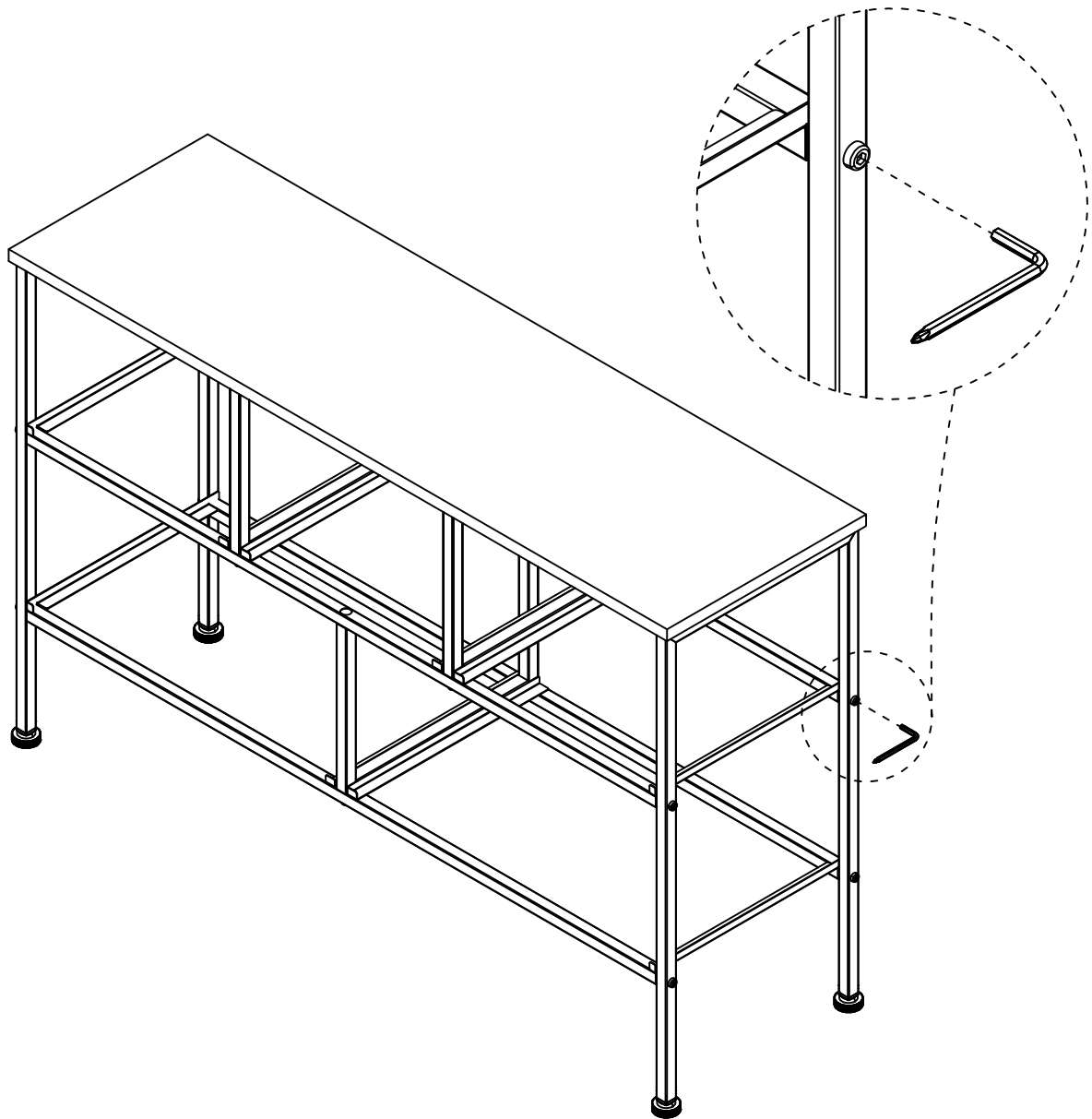
Please use the screws correctly, otherwise the product will be seriously damaged!

Step 8

E x1pcs



*Please tighten all the screws at this step.



Assembly Instructions

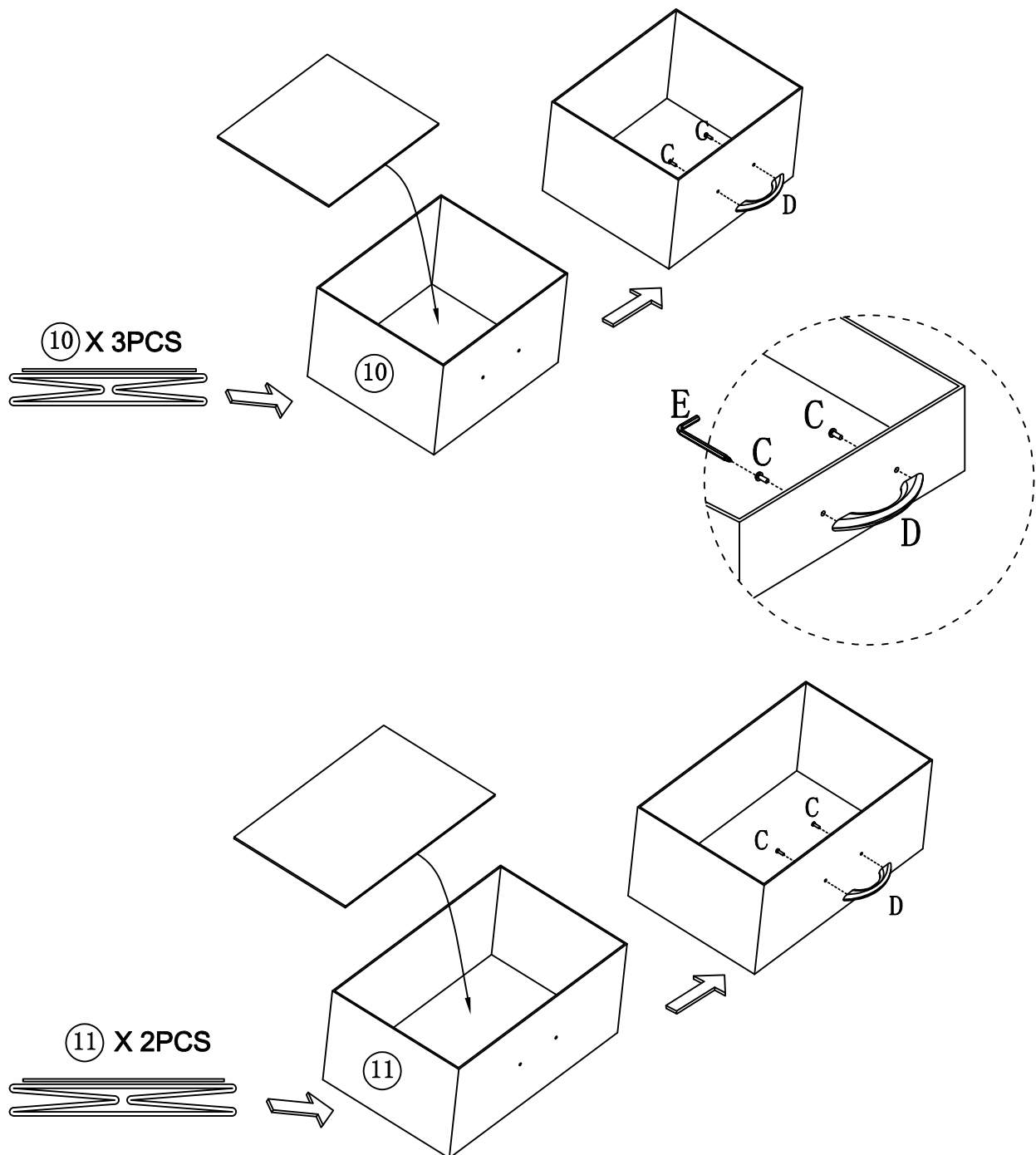
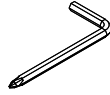
Please use the screws correctly, otherwise the product will be seriously damaged!

Step 9

C x10pcs



E x1pcs



Assembly Instructions

Please use the screws correctly, otherwise the product will be seriously damaged!

Step 10

