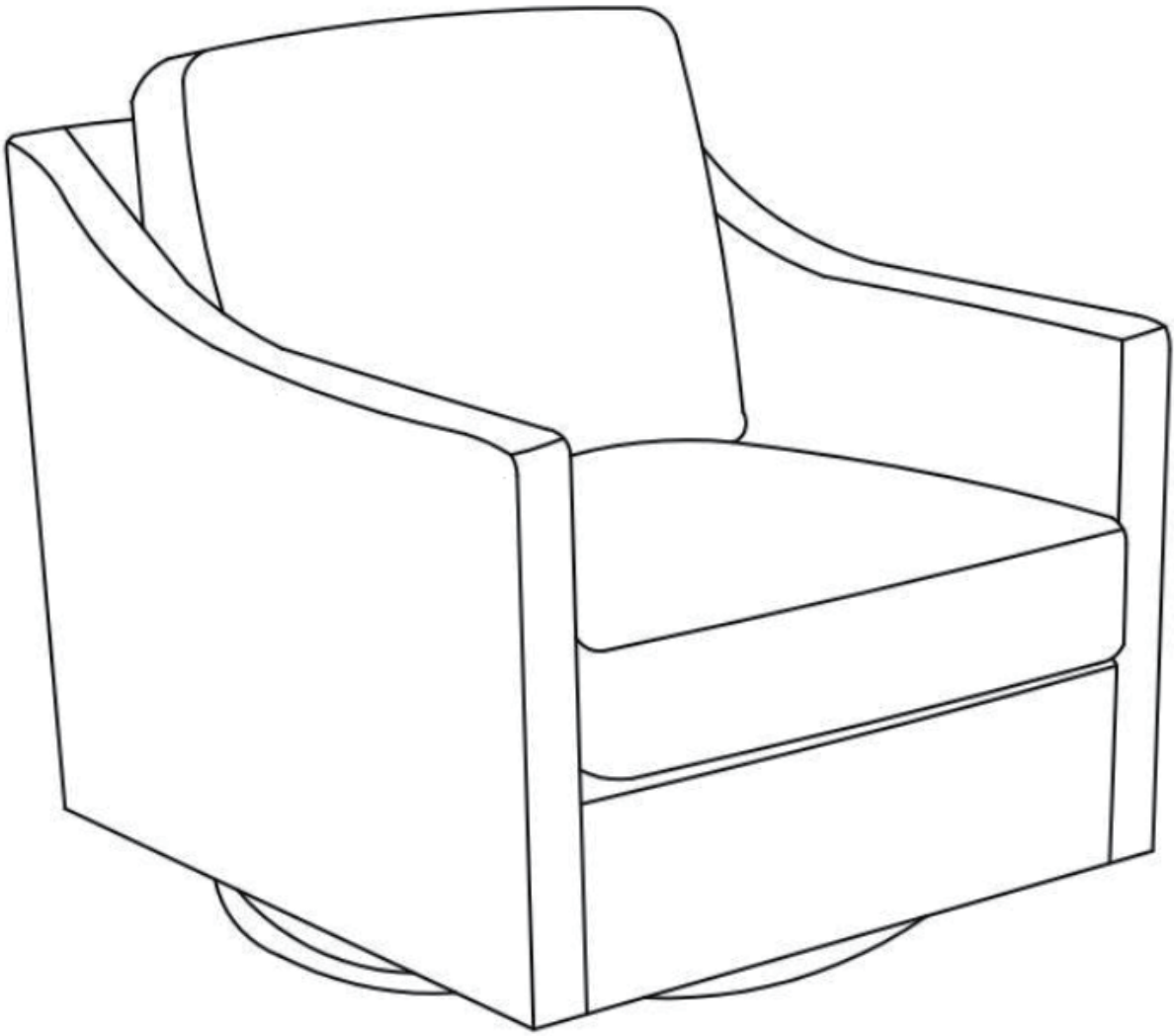
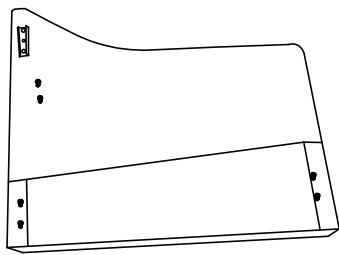


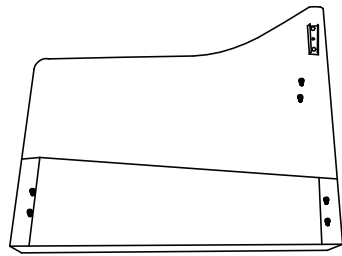
INSTALLATION GUIDE



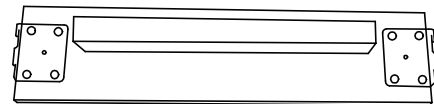
A*1



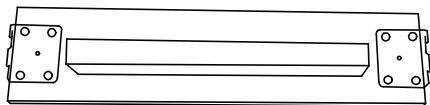
B*1



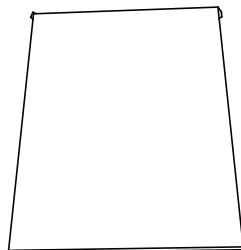
C*1



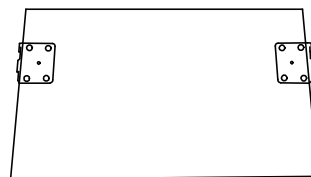
D*1



E*1



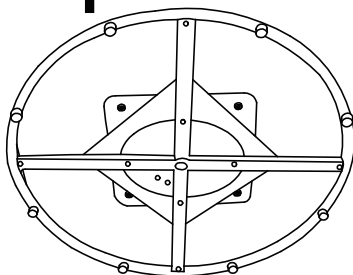
F*1



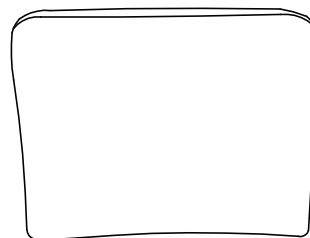
G*1



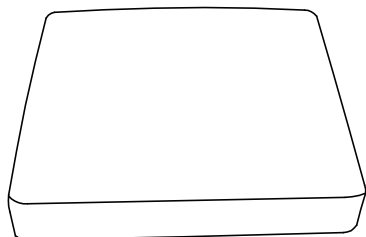
H*1



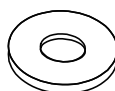
I*1



J*1



K*4

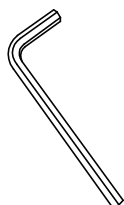


L*4



M6*30

M*1



N*1



P*4

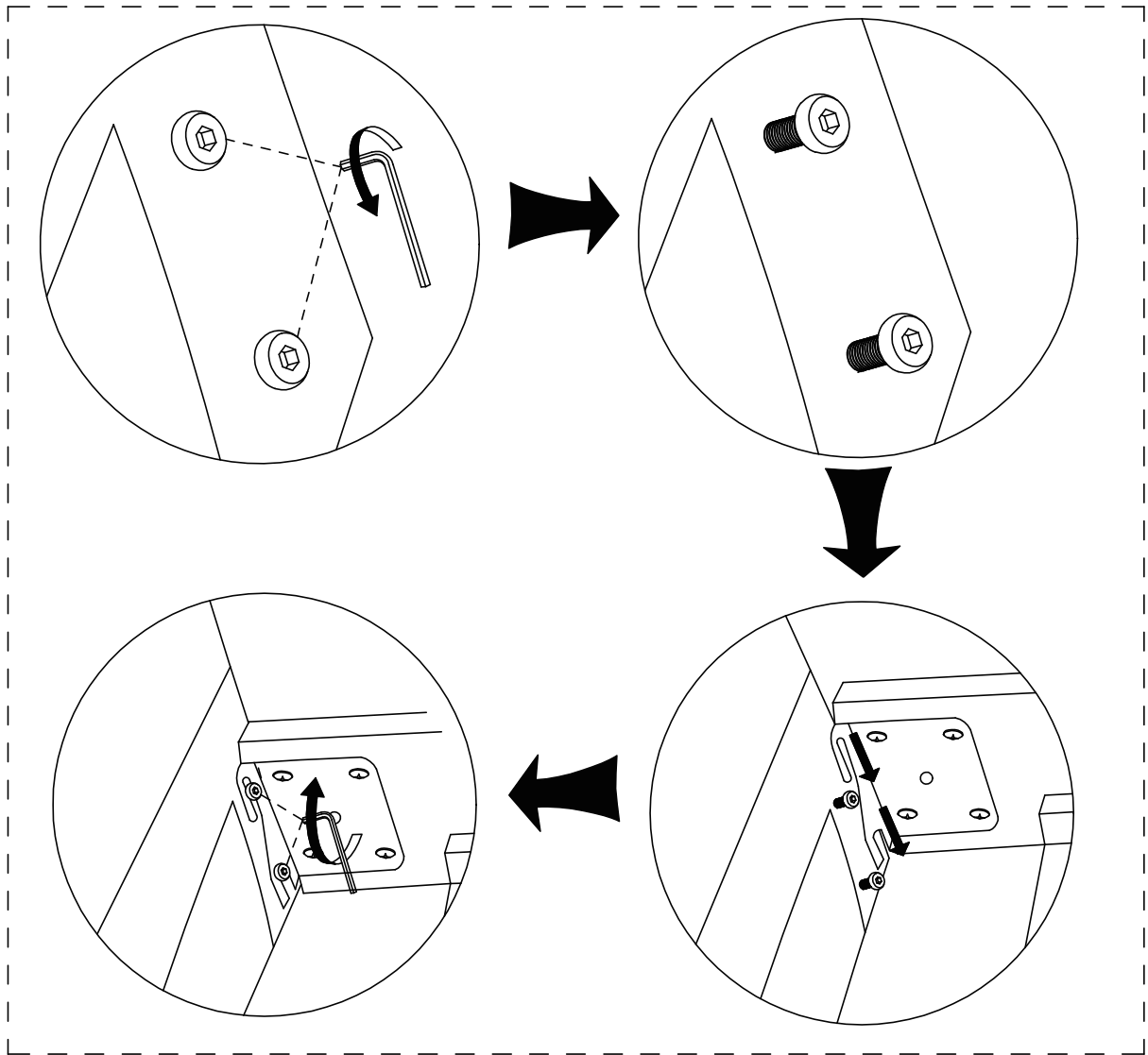
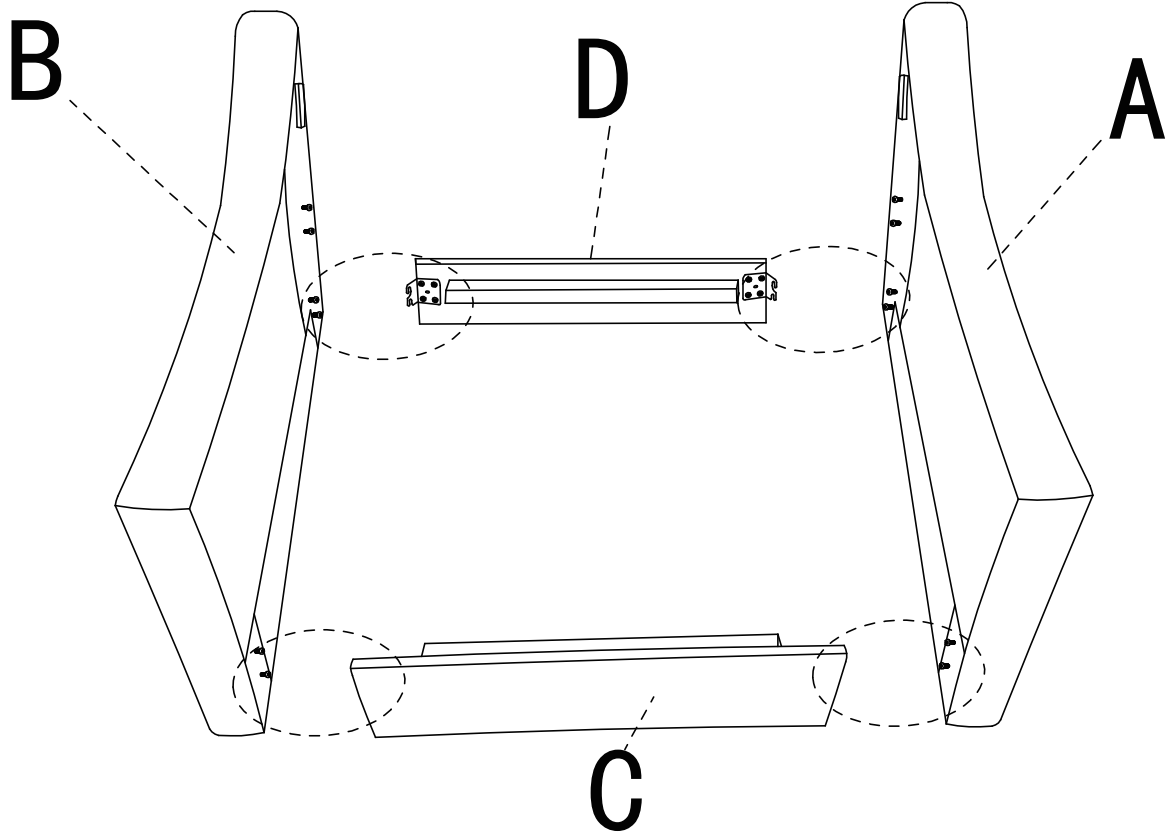


M6*25

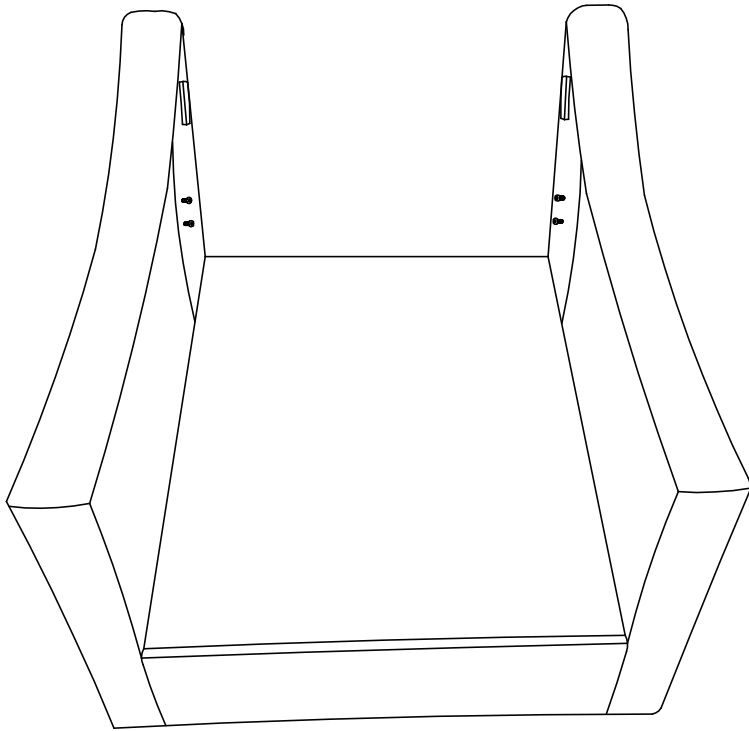
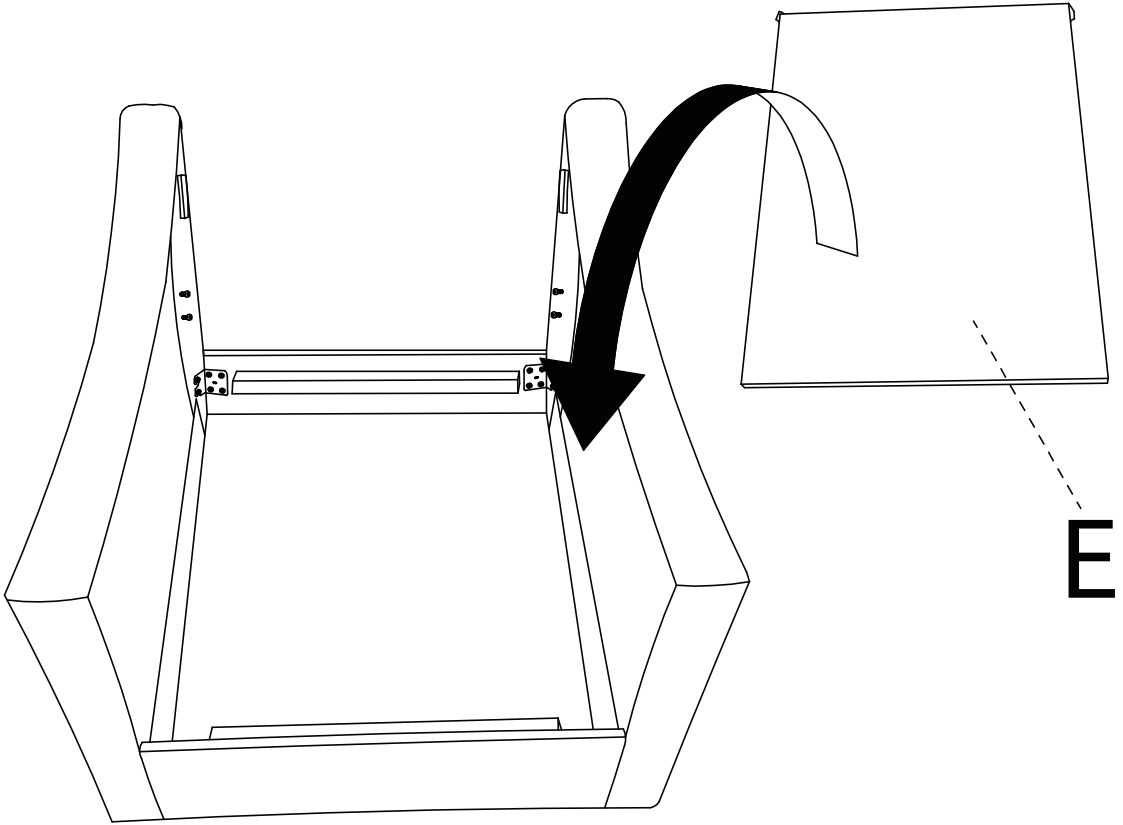
Q*4



①

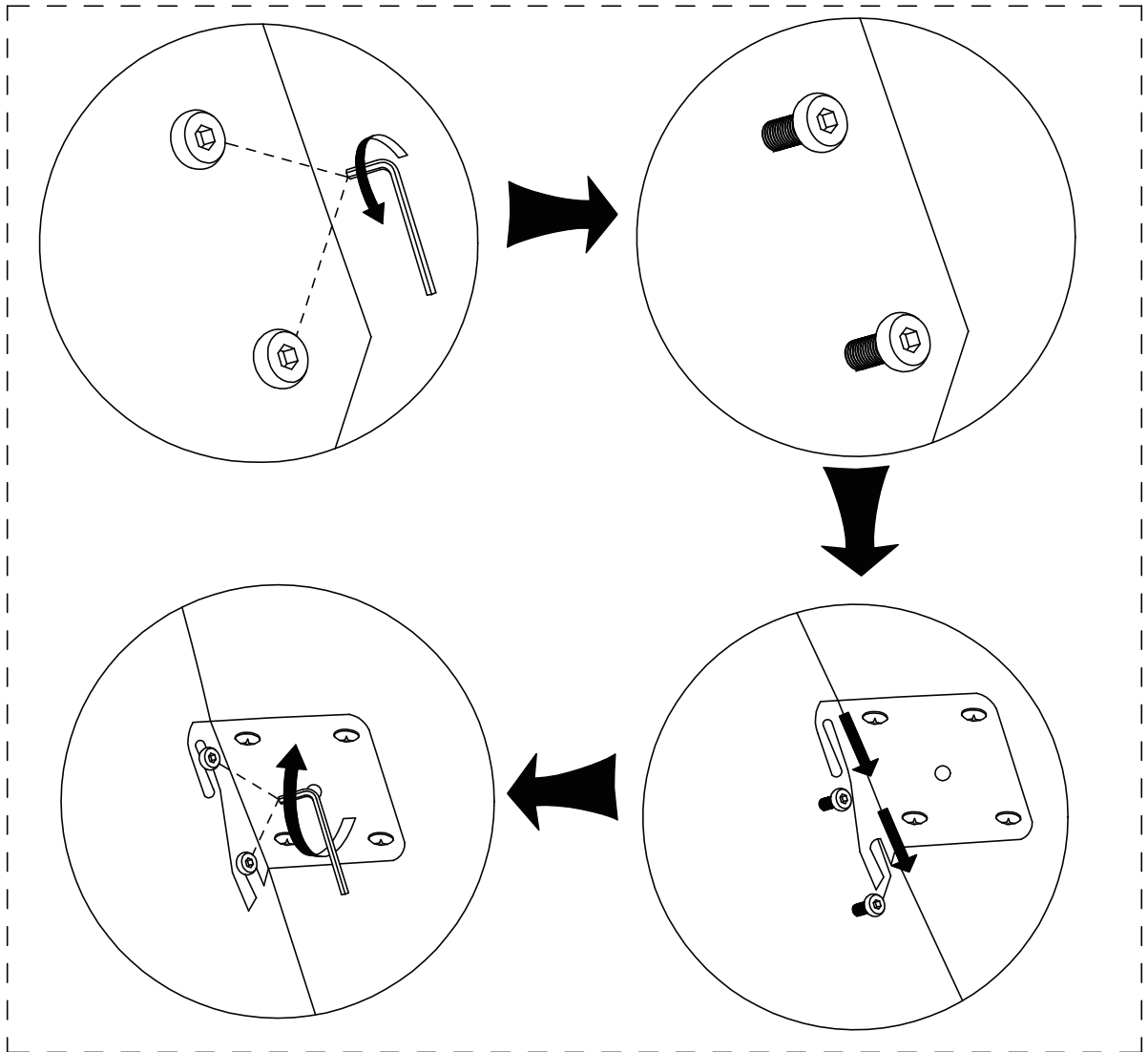
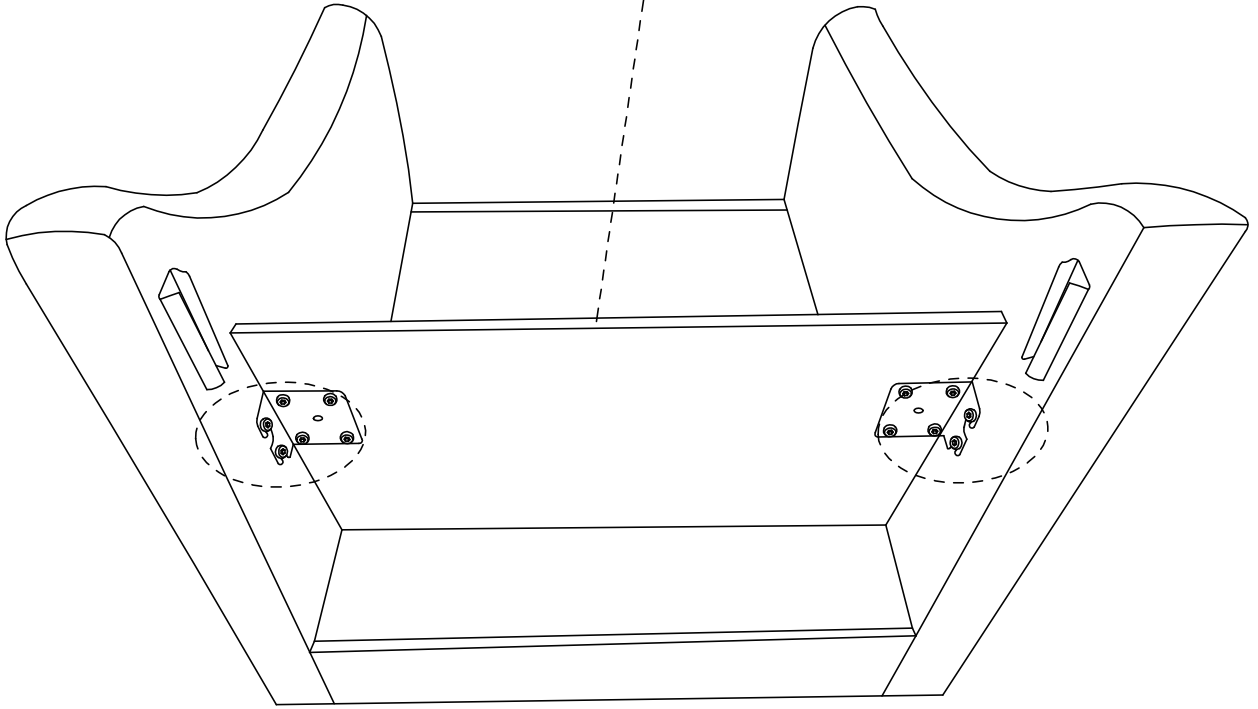


2

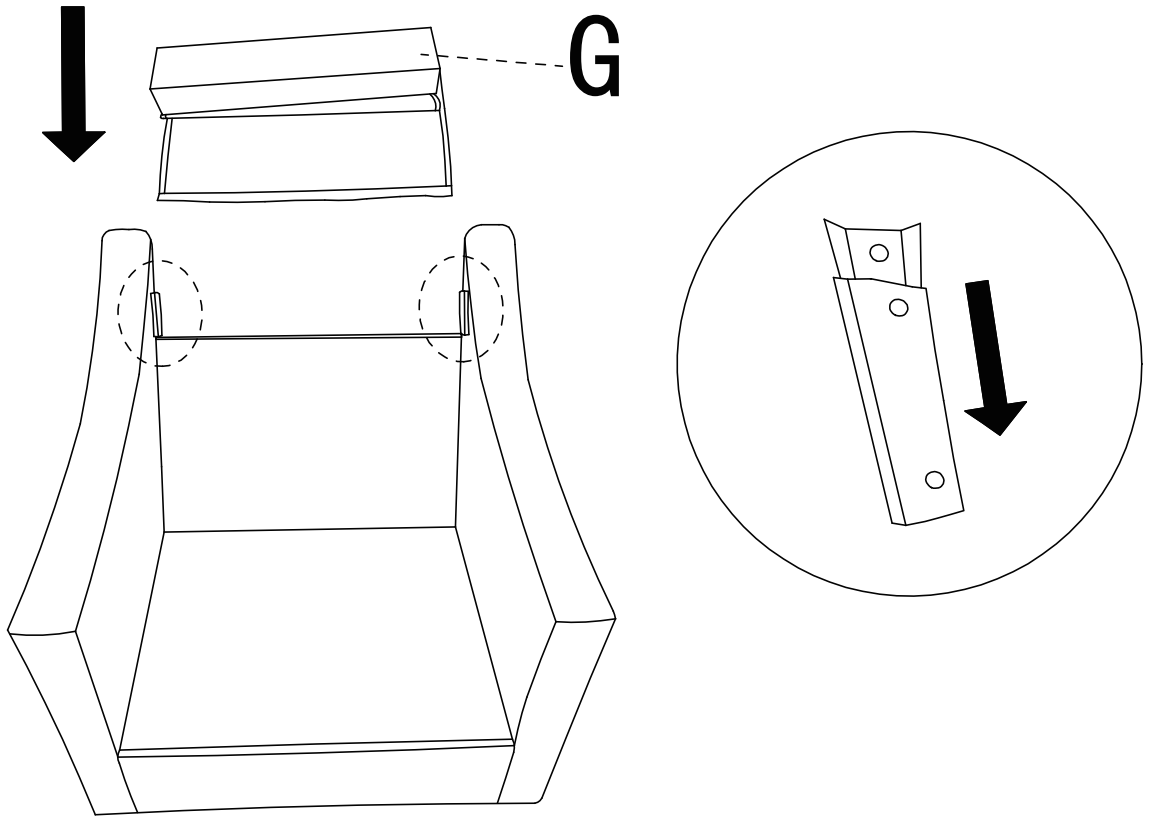


3

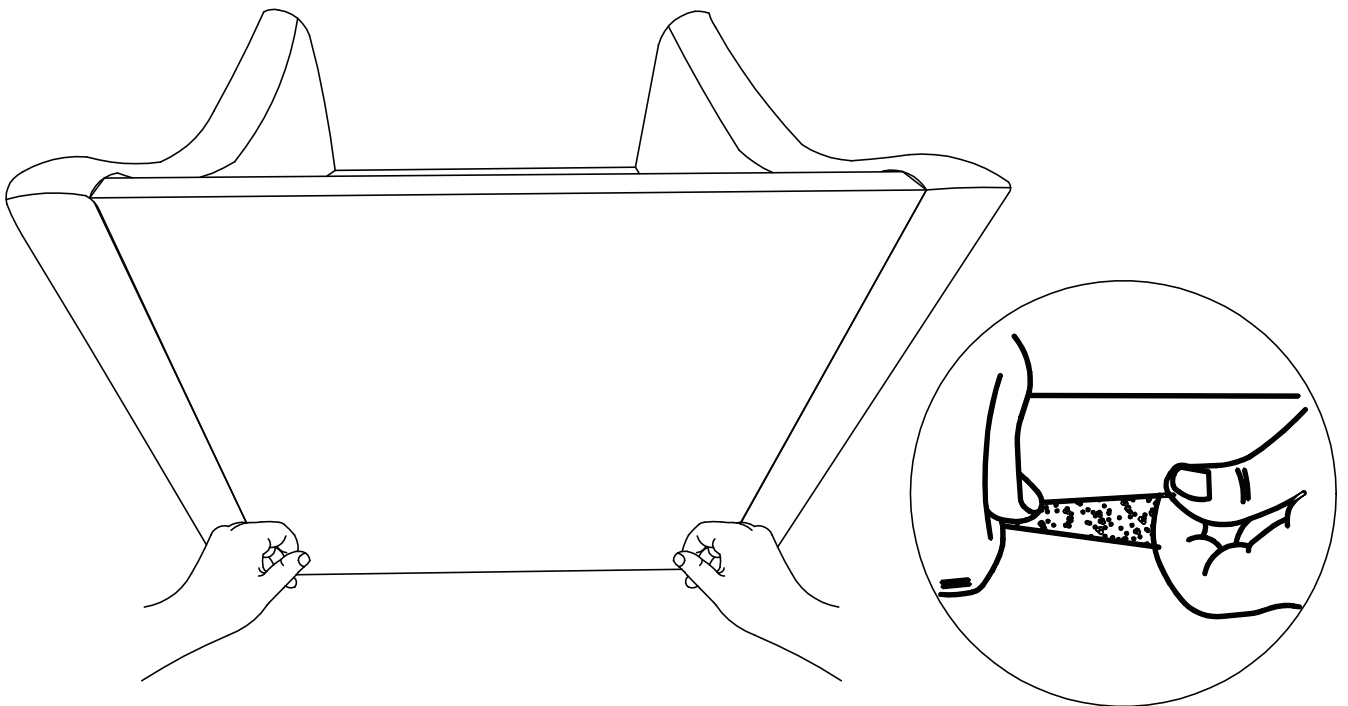
F



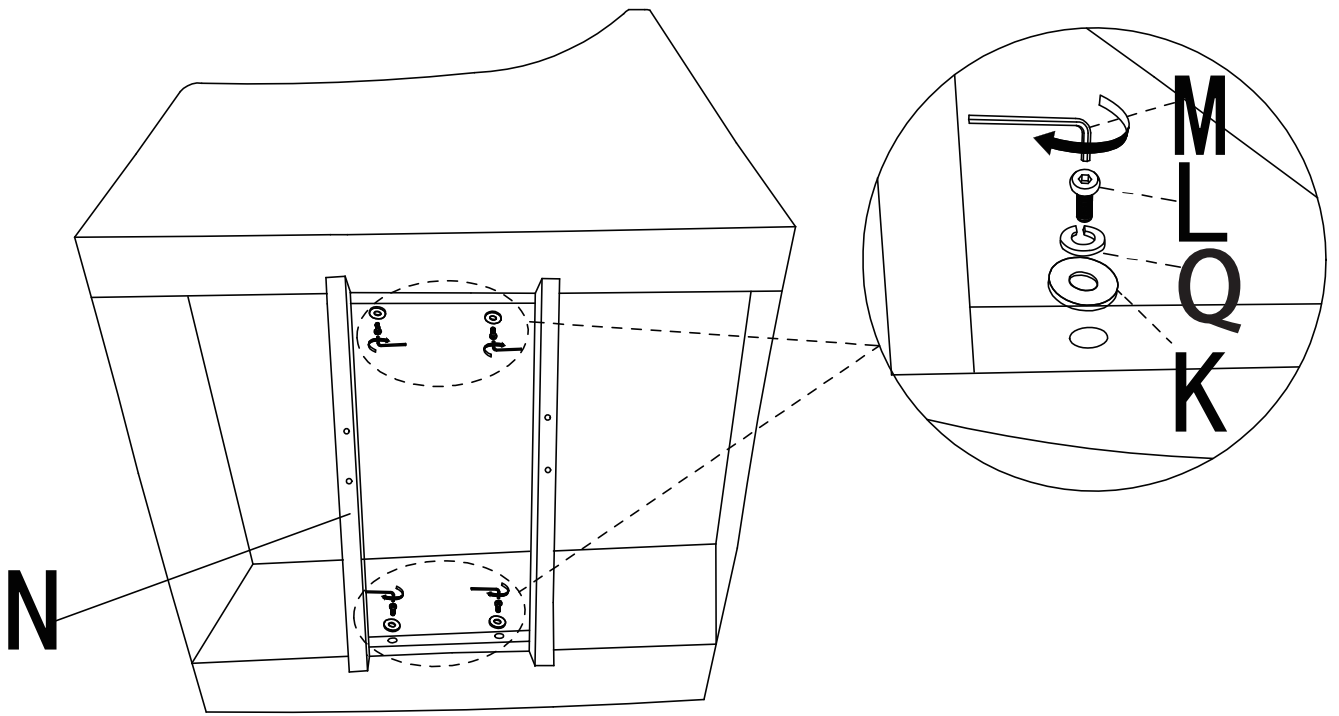
④



⑤

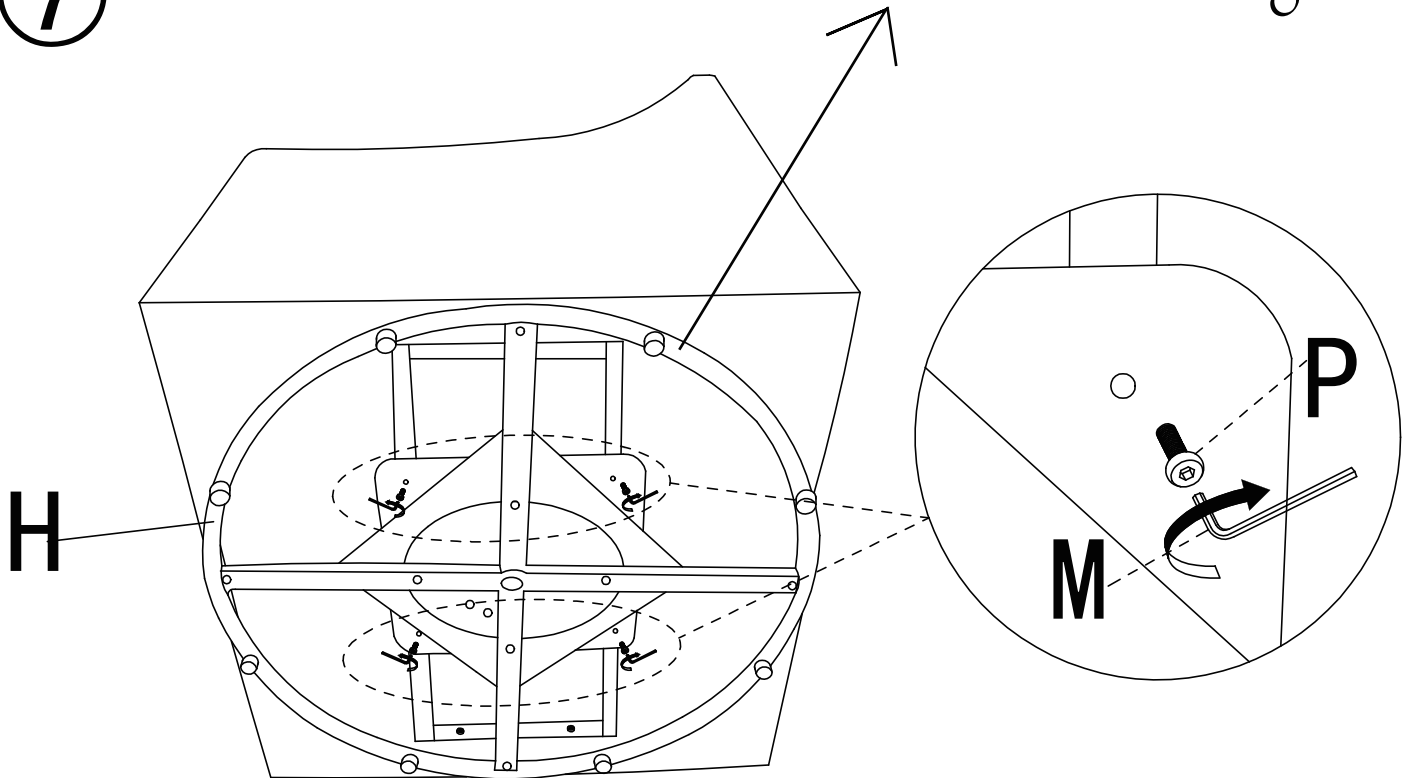


6



7

The base can rotate 360 degree



⑧

