

WALL HANGING BEVELLED MIRROR

INSTALLATION SEQUENCE



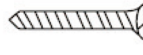




INSTALLATION MANUAL


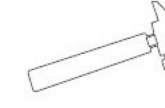
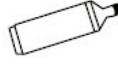

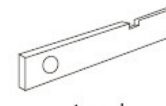


If you have any problem, please feel free to contact us on aftersale

Note: Ensure that the fixing location is able to take the weight of the complete fitting.

Packing list

 Mirror x 1	 Bracket x2	 Screws x(4+2)	 Wall anchors-A	 Wall anchors-B
Corresponding Holes for Bracket: 0 2 1/8" (62MM)		Positioning Ruler Before installation, please confirm where to drill holes for hanging the mirror.		
Product Size: Where you fix the first bracket		2 1/8" (231.6mm) 11 1/8" (293.6mm) 14" (355.6mm) 20" 22"/24"		

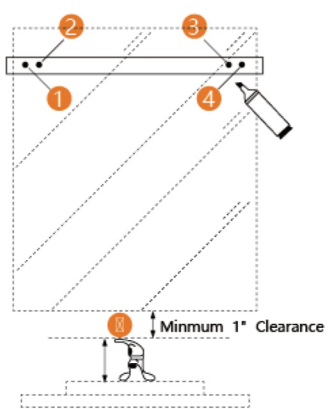
Installation tools

 Electric Drill	 Hammer	 Marker Pen	 Tape Measure
 Level	 Phillips Screwdriver	 Safety Goggles	

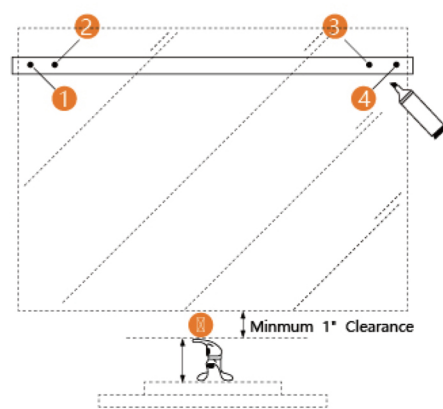
①

1. Decide the installation method as per your reference. Confirm the locations for drilling holes with the positioning ruler, and use a marker to mark the spots 023 on the wall.

Vertical Installation



Horizontal Installation



Note: Please hang the mirror a few inches above the highest part of the faucet.

How to Use the Positioning Ruler:

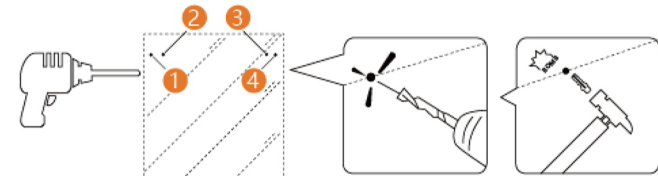
Corresponding Holes for Bracket: 0 2 1/8" (62MM)	Positioning Ruler Before installation, please confirm where to drill holes for hanging the mirror.	2 1/8" (231.6mm) 11 1/8" (293.6mm) 14" (355.6mm) 20" 22"/24"
Product Size: Where you fix the first bracket		

The positioning ruler makes it easier for you to drill perfect holes for the brackets.

- Decide the location to hang your mirror first, and make sure the positioning ruler is placed against the wall horizontally.
- The lower line is product size. According to your product size, you can find the corresponding hole spots for the two brackets, which are indicated on the upper line.

②

2. Use an electric drill to punch holes at the marked spots, and then apply wall anchors with hammer.



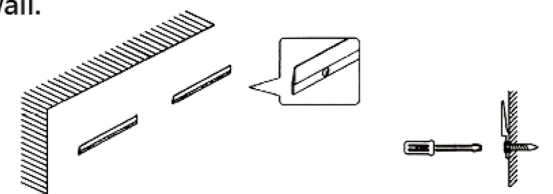
Thickness of wall > 16mm (1/4" (6mm) drill bit, drilling depth in 1 31/32" (50mm))

Thickness of wall 8 ~ 16mm (25/64" (10mm) drill bit)

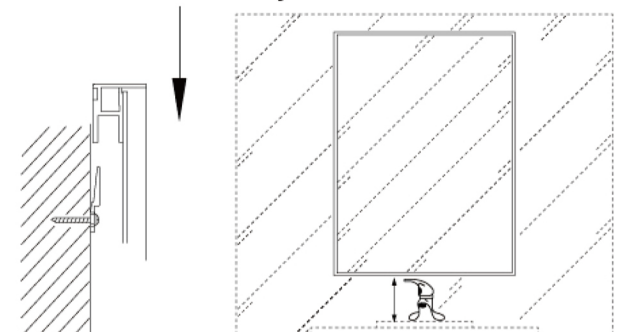
Thickness of wall < 8mm **Unapplicable**

Note: Please wear goggles and pay attention to safety.

3. Screw the two brackets on wall.



4. Place the mirror against the wall, align the hook with the bracket slot, slowly lower it so that the hook fits into the slot, and gently shake the mirror to ensure that the mirror is securely installed.



Note: Two-person installation.

Completion !

③