

6 X 8 FT
Aluminium PC Greenhouse
W75.6"xD102"xH77"

ASSEMBLY INSTRUCTION

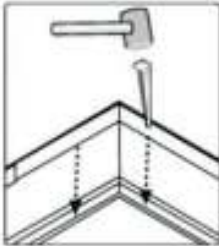
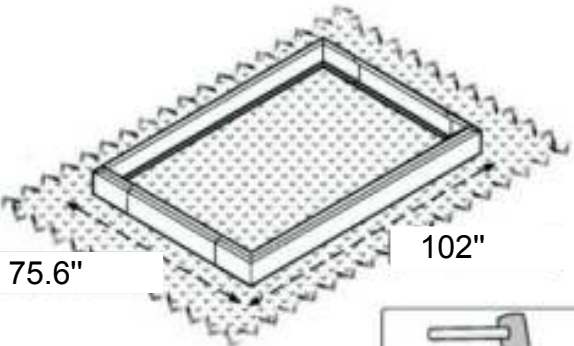
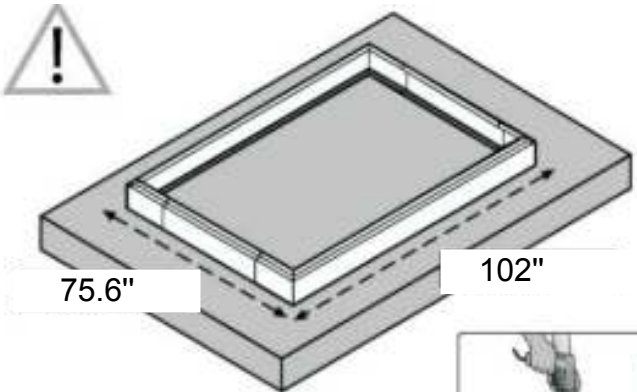
IMPORTANT!

Please read all instructions carefully before assembly.

It is best to familiarize yourself with the parts and collate the appropriate parts for each step.



FOUNDATION



SAFETY ADVICE

We strongly recommend the use of work gloves during assembly. Do not attempt to assemble the Aluminum greenhouse in windy or wet conditions, Do not touch overhead power cables with the aluminum profiles. Always wear shoes and safety goggles when working with extruded aluminum. Dispose of all plastic bags safely and keep them out of reach of children. The Aluminum greenhouse must be positioned and fixed on a flat level surface. Do not lean against or push the Aluminum Greenhouse during construction. Keep children away from the assembly area. Do not position your Aluminum greenhouse in an area exposed to excessive wind. Do not attempt to assemble this Aluminum greenhouse if you are tired, have taken drugs or alcohol or if you are prone to dizzy spells. If using a step ladder or power tools ensure that you follow the manufacturer's safety advice. Hot items such as recently used grills, blowtorches etc. must not be stored in the Wall shed. Ensure there are no hidden pipes or cables in the ground before inserting the pegs.

GENERAL ADVICE

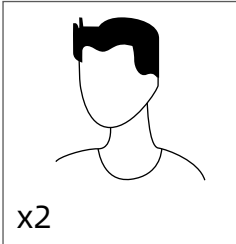
This is a multi-part assembly, allow at least 3-4 hours for assembly. In selecting a site-choose a sunny level position away from overhanging trees. If you are fixing your Aluminum Greenhouse directly to a solid concrete foundation use the pre-drilled holes in the metal base supplied. The component parts should be checked and laid out close at hand. Keep all small parts (screws etc) in a bowl so they do not get lost. Keep roof clear of snow and leaves.

CARE & MAINTENANCE

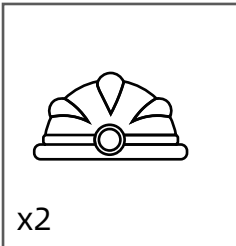
When your Aluminum greenhouse needs cleaning, use a mild detergent solution and rinse. Do NOT use acetone, abrasive cleaners or other special detergents to clean the clear panels.

TOOL&EQUIPMENT

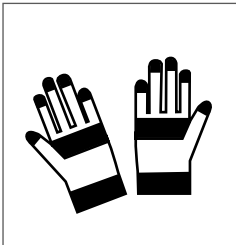
Protective Equipment



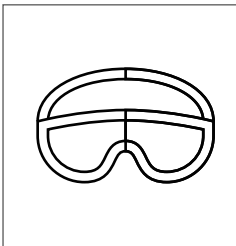
2 people needed



Safety Helmet

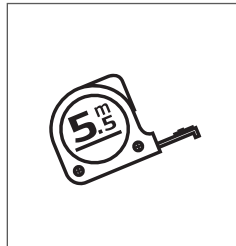


Gloves

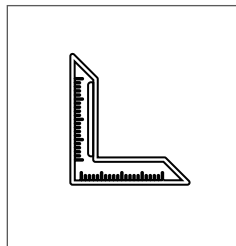


Goggles

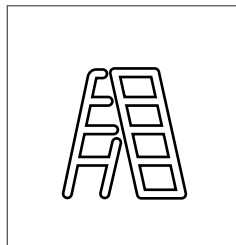
Measuring Tools & Installation Equipment



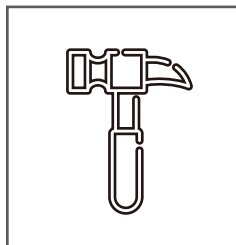
Tape Measure



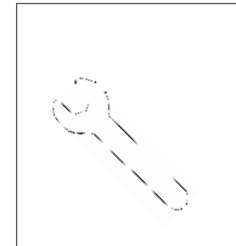
Angle Rule



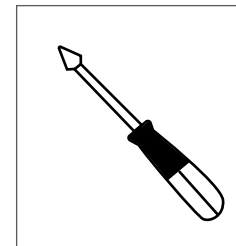
Triangular Ladder



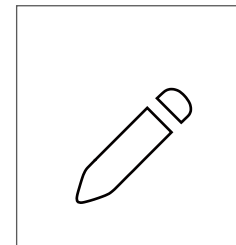
Mallet



SpannerC10



Cross Screwdriver



Marking Pen

BEFORE ASSEMBLY

1. Selecting a site.

The product must be positioned and fixed on a flat level surface.

Choose a sunny position away from overhanging trees.

2. We strongly recommend this product to be secured directly to a solid foundation.

3. This a multi-part assembly best achieved by two people. Allow at least half day for the assembly process.

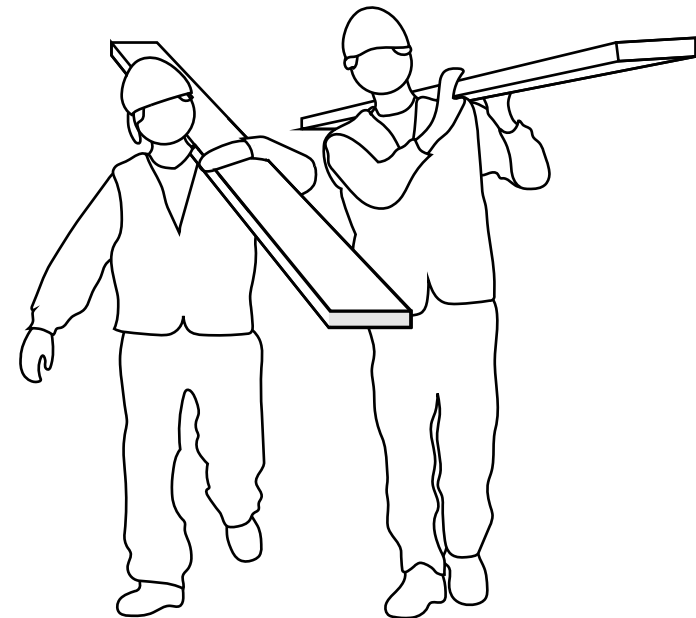
4. Take all components & parts out of the packages. Sort the parts and check against the content parts list.

5. Parts should be laid out close at hand. Keep all small parts(screws etc.) in a bowl so they do not get lost






































6. Please note multi-sided profiles are used in this As a result some holes in the profiles are not used during assembly.

7. Please review entire instructions before starting. Carry out the assembly steps in exact order.


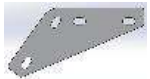












8. Please consult your local authorities if any permits are required prior to constructing the product.



Aluminum Parts:

MODEL	CODE	LENGTH (mm)	QTY	MODEL	CODE	LENGTH (mm)	QTY	MODEL	CODE	LENGTH (mm)	QTY	MODEL	CODE	LENGTH (mm)	QTY
	C1301A	1551	1		C501	1150	4		C101A	1606	1		C2004	616	2
	C1301B	1551	1		C201	1150	6		C101B	1606	1		C2005	635	1
	C1801	590	1		C2501	1328.5	2		C203A	1622	1		C2201	621	2
	C701	600	1		C2502	1197.7	2		C203B	1622	1		C2202	610	3
	C1101	600	2		C2001	1310	4		C1901	644	2				
	C2301	600	1		C2101	1193.7	1		C202	1137	6				
	C2401	607	2		C2102	1280.5	1		C1001	405.5	1				
	C2601	602	2		C502A	1157	1		C401	606	1				
	C2701	600	4		C502B	1157	1		C601	1275	1				
	C801	971.3	1		C502C	1157	1		C2002	1253	4				
	C802	815.9	1		C502D	1157	1		C2003	610	2				




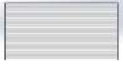






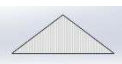

Adapting Piece:

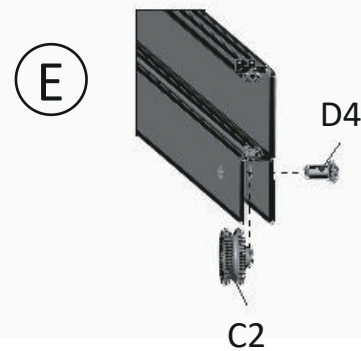
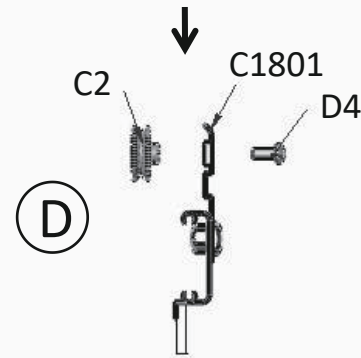
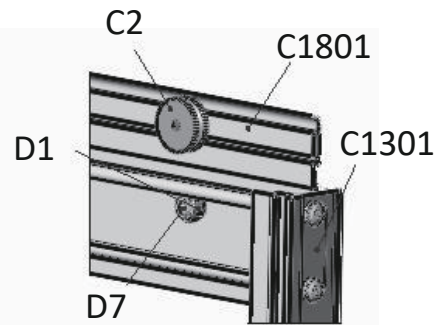
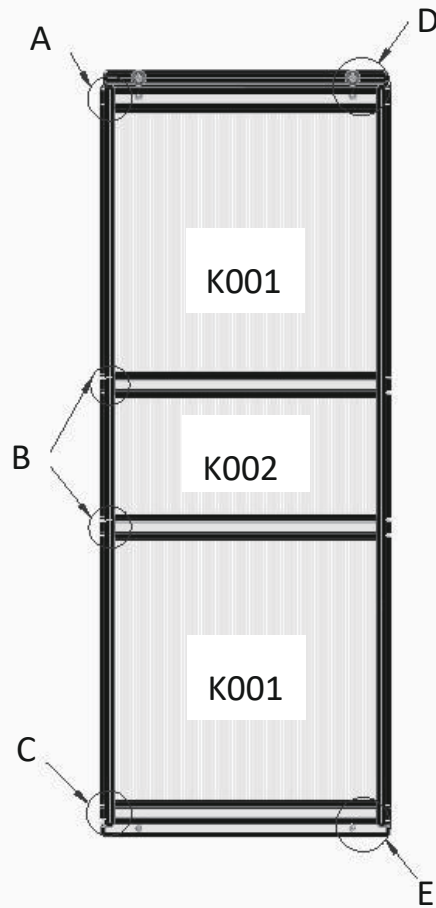
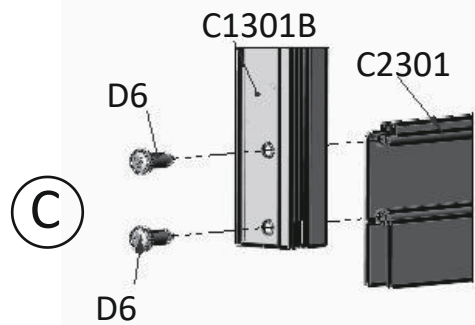
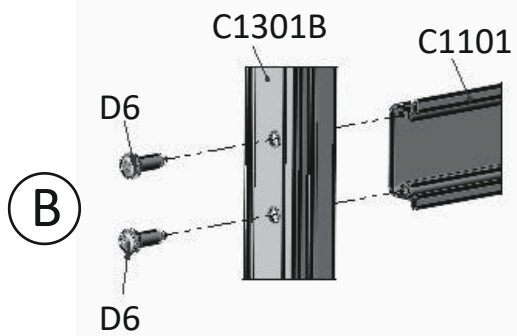
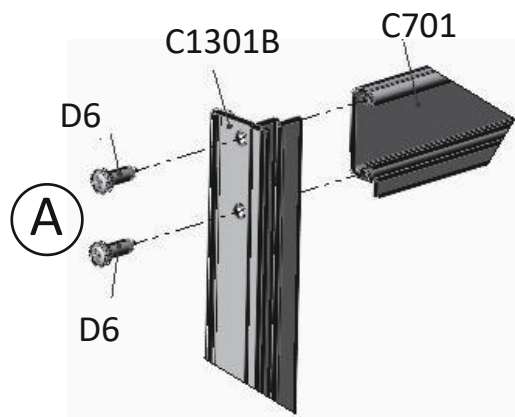
MODEL	CODE	LENGTH (mm)	QTY	MODEL	CODE	LENGTH (mm)	QTY
	13S1	948.8	1		CBJ07	138*69	4
	13S2	948.8	1		CBJ08	185	1
	13N1	948.8	1		CBJ09	150*44	3
	13N2	948.8	1		CBJ10	30*40	4
	13E1	1289.6	2		CBJ11	100*44	1
	13E2	1249.6	2		CBJ12	100*22	3
	CBJ14	50*30	4		CBJ13	100*35	2
							2

Hardware:

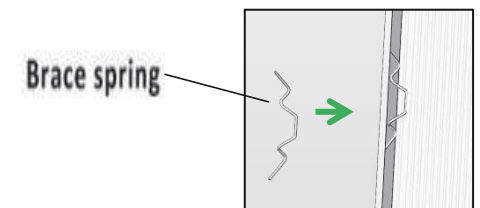
MODEL	CODE	LENGTH (mm)	QTY
	C1	28	1
	C2		4
	C4		165
	D1	M6X9*3.5	182
	VT1		2
	C3		2
	D2	M6X16	2
	D3	M6X40	2
	D4	M4X10	5
	D5	ST4. 2X9.5	10
	D6	ST4. 8X19	18
	D7	M6-GB41	184
	D8	M10*100	4

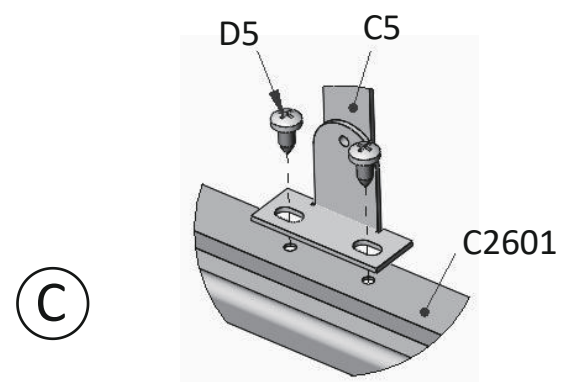
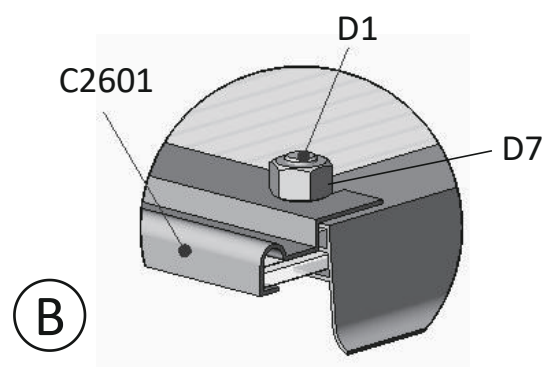
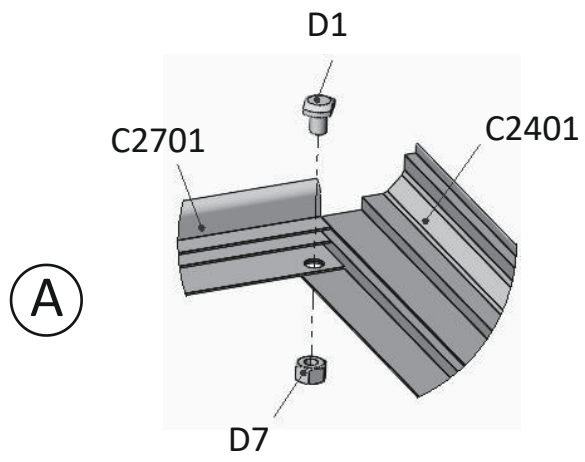
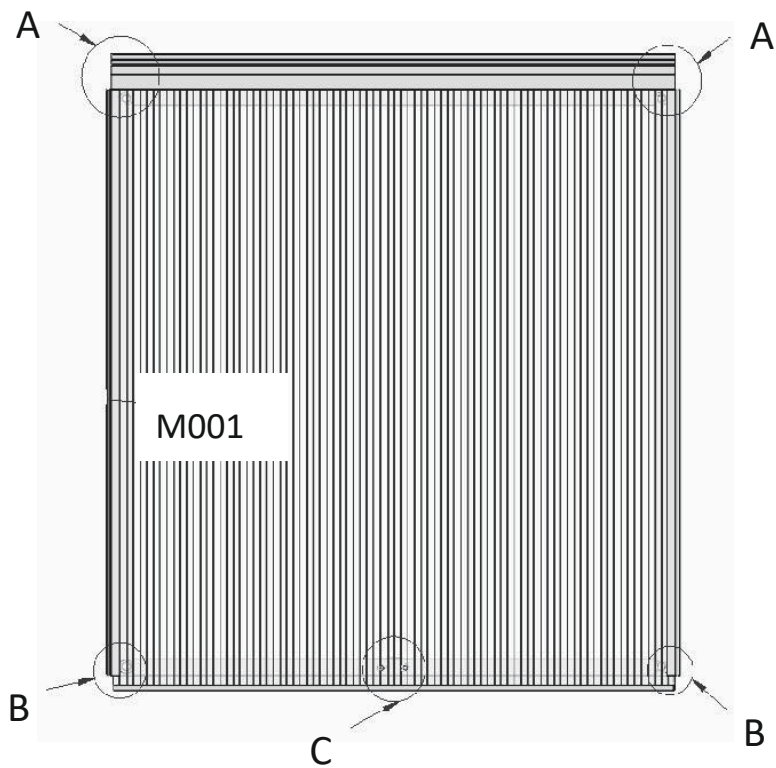
Twin PC Board:






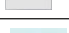


MODEL	CODE	LENGTH (mm)	QTY	MODEL	CODE	LENGTH (mm)	QTY
	K001	562*598	2		A001	1148*617	8
	K002	261*598	1		A003	1150*617	6
	M001	628*604	2		A002	534*617	2
	E003	1146*621	2		D003	1146*610	3
	E002	454*621	2		D001	470*610	2
	E001	240*650	1		D002	698*610	1

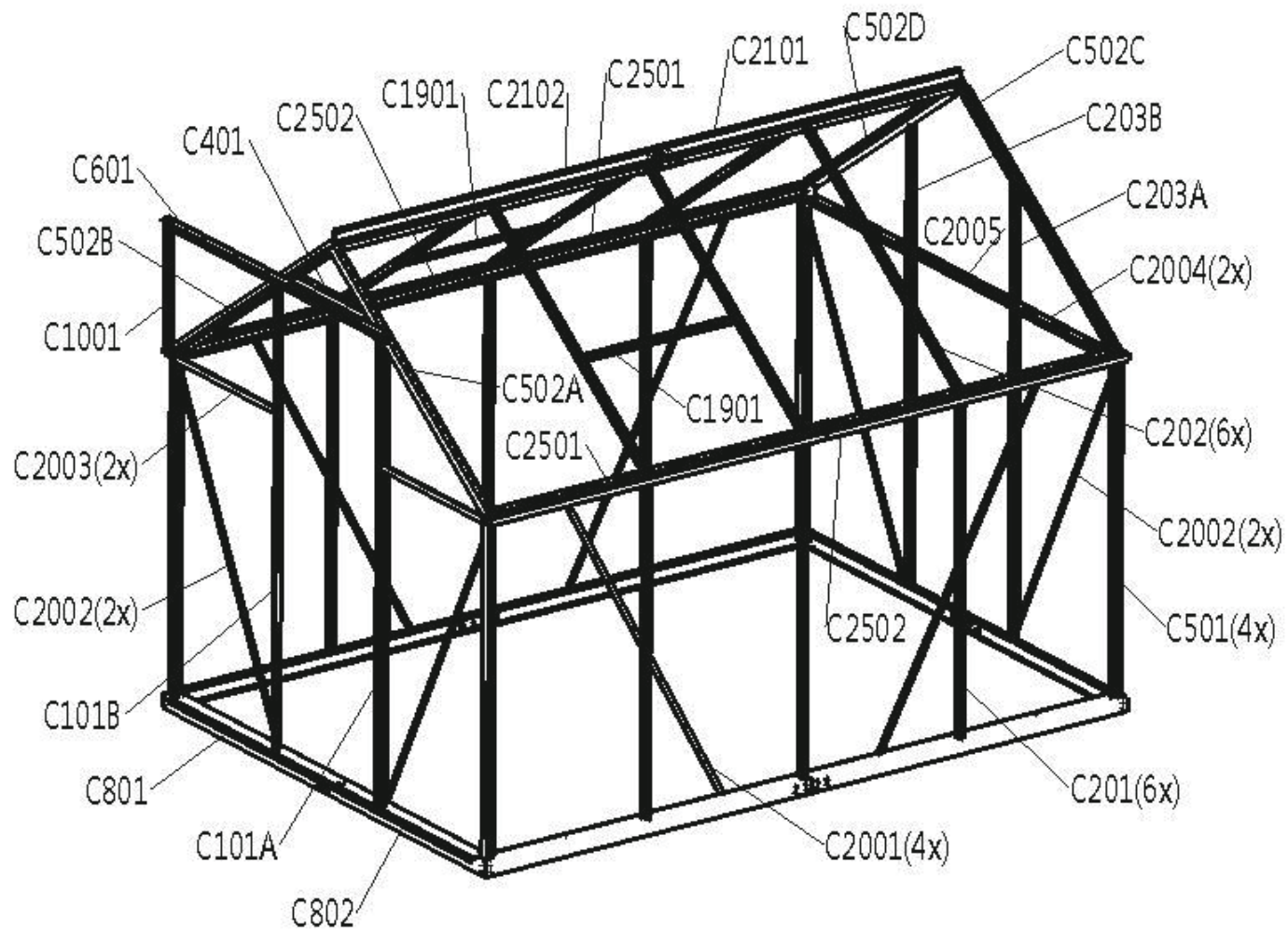


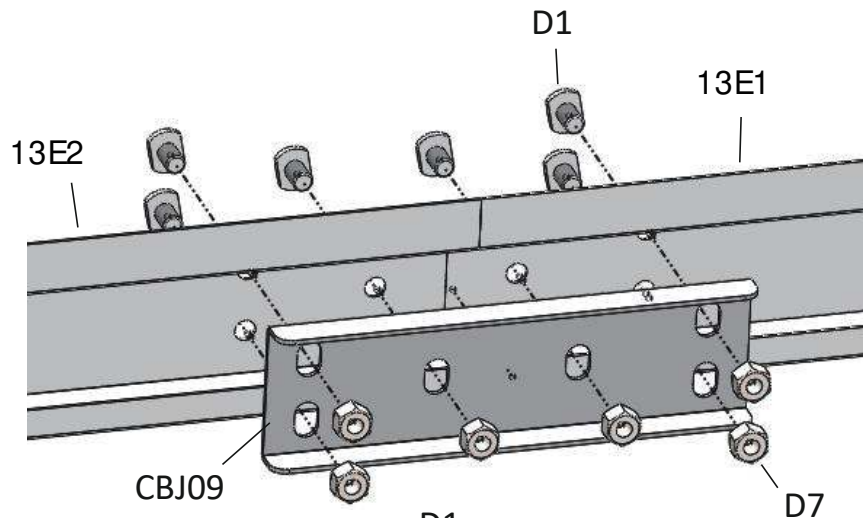
MODEL	CODE	LENGTH(mm)	QTY
	C1301A	1551	1
	C1301B	1551	1
	C1801	590	1
	C701	600	1
	C1101	600	2
	C2301	600	1
	C2		4
	D6	ST4. 8X19	16
	D4	M4X10	4
	K001	562*598	2
	K002	261*598	1
	C4		10
	D1	M6X9*3.5	2
	D7	M6-GB41	2



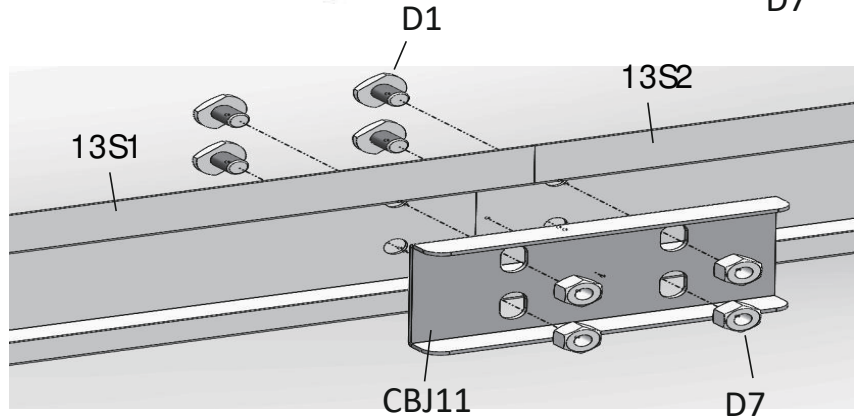


MODEL	CODE	LENGTH(mm)	QTY
	C2401	607	2
	C2601	602	2
	C2701	600	4
	C5	332	1
	D5	ST4. 2X9. 5	4
	M001	628*604	2
	D1	M6X9*3. 5	8
	D7	M6-GB41	8

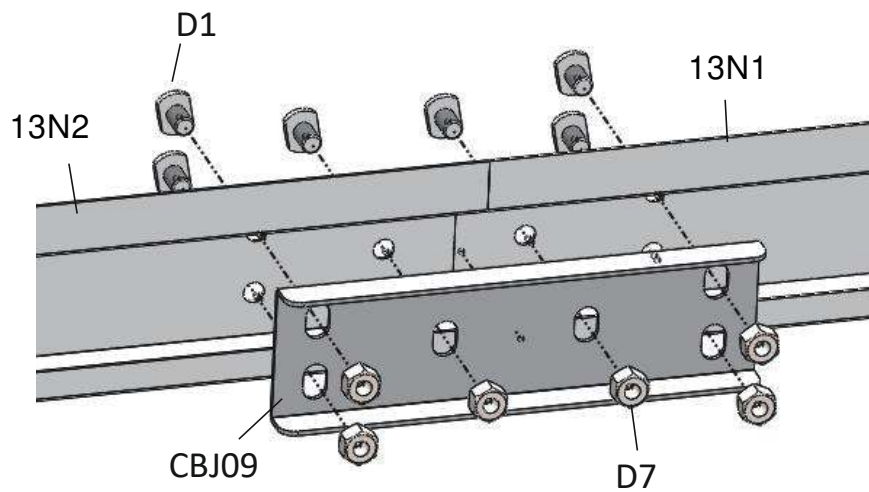














(A)

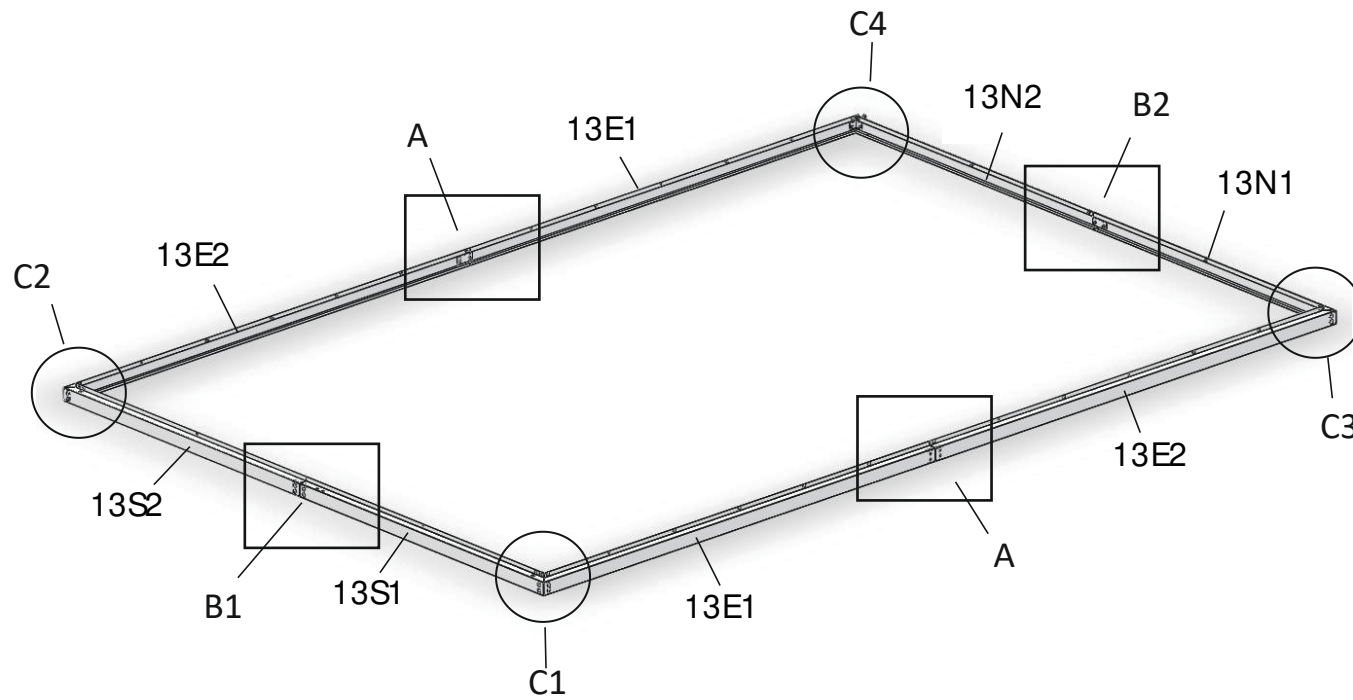





(B1)

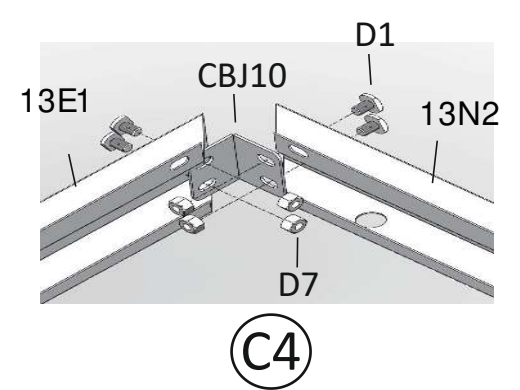
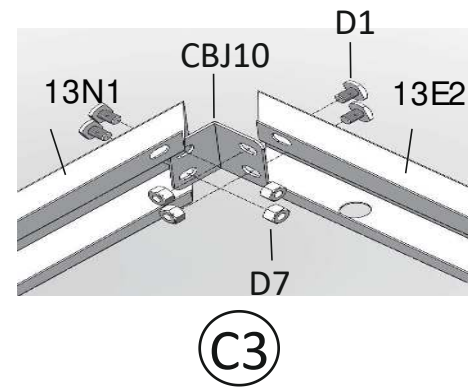
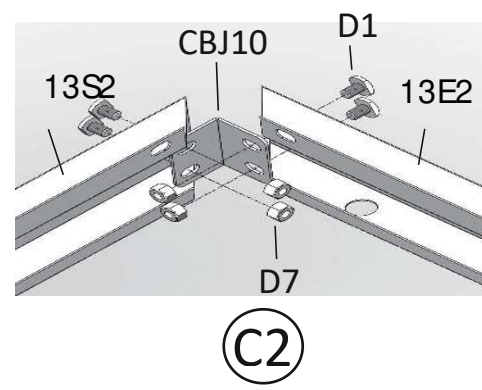
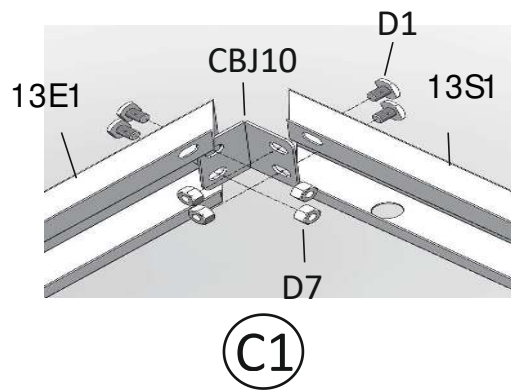






(B2)

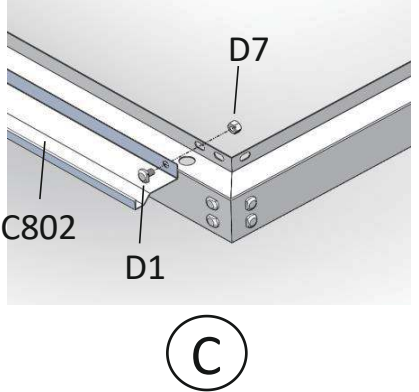
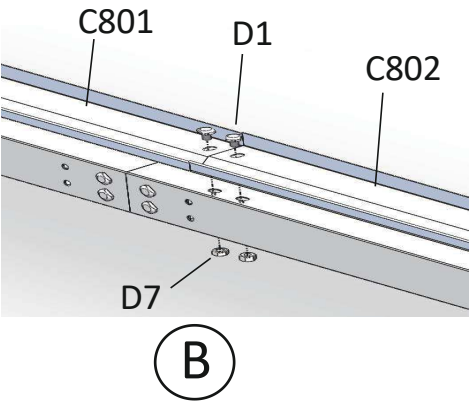
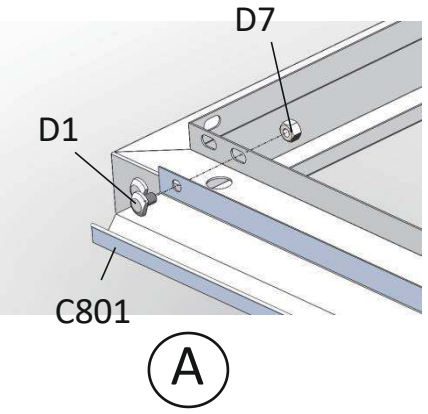
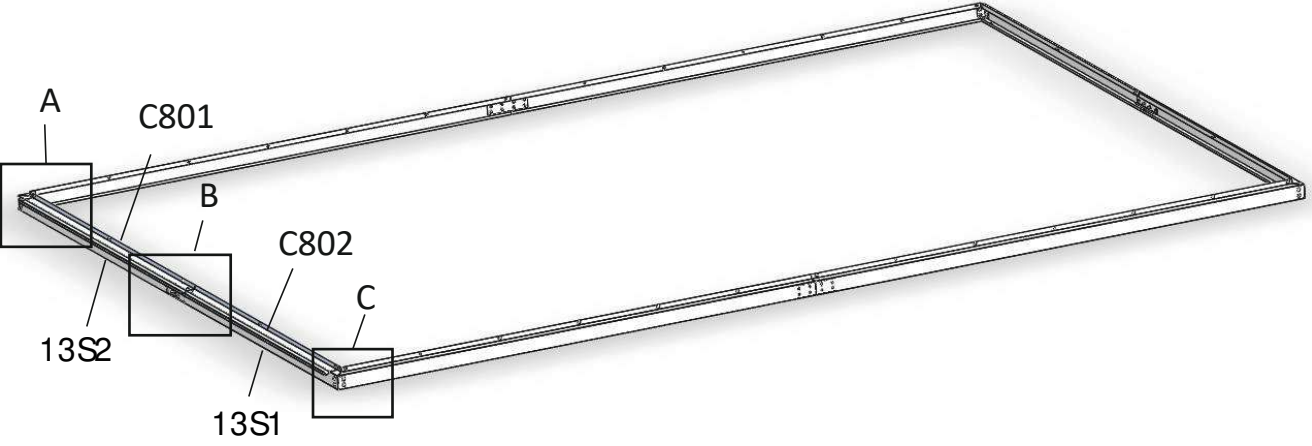
MODEL	CODE	LENGTH(mm)	QTY
	13S1	948.8	1
	13S2	948.8	1
	13N1	948.8	1
	13N2	948.8	1
	13E1	1289.6	2
	13E2	1249.6	2
	CBJ09	150*44	3
	CBJ11	100*44	1
	D1	M6X9*3.5	22
	D7	M6-GB41	22

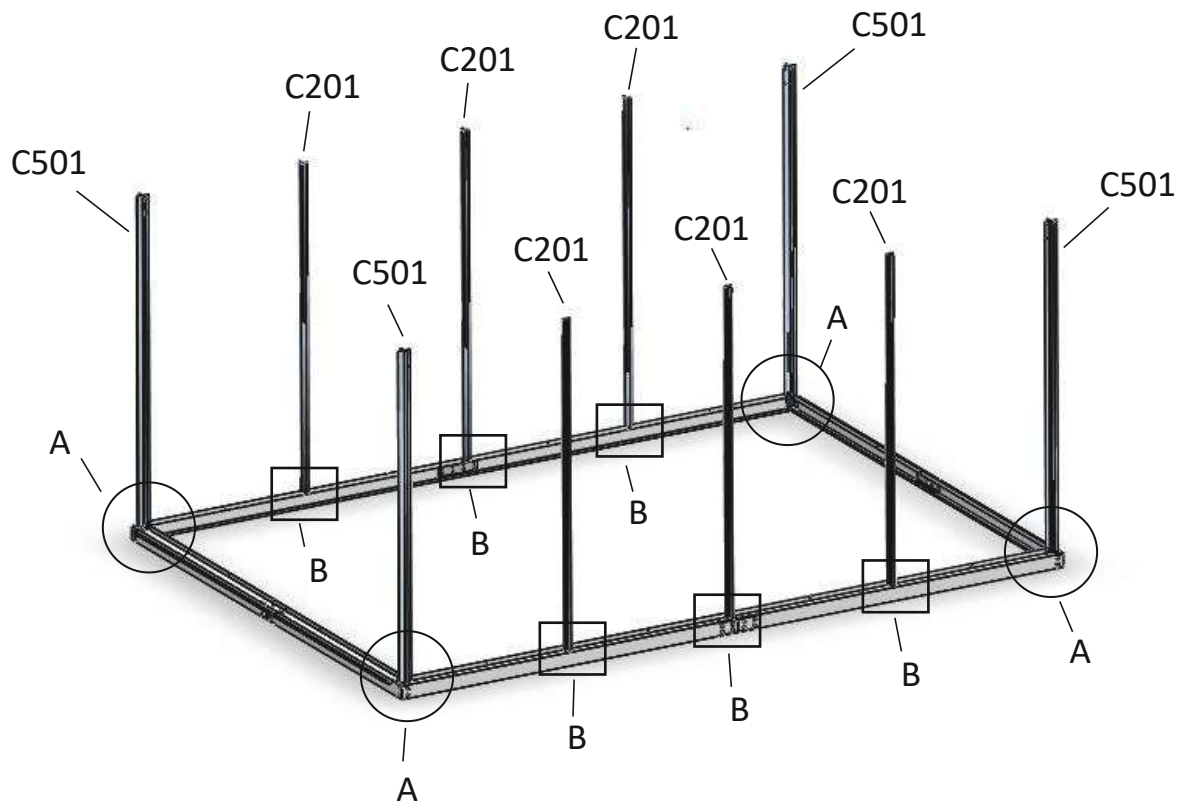


MODEL	CODE	LENGTH(mm)	QTY
	CBJ10	30*40	4
	D1	M6X9*3.5	16
	D7	M6-GB41	16

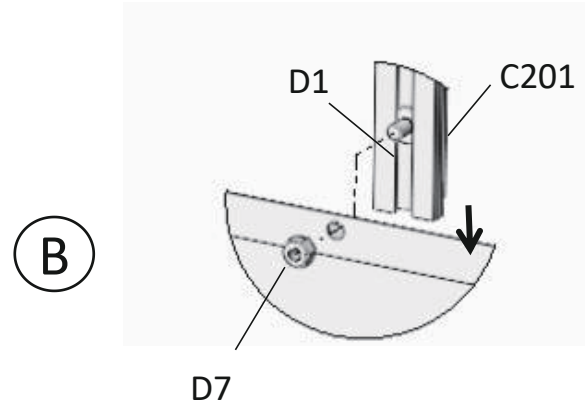
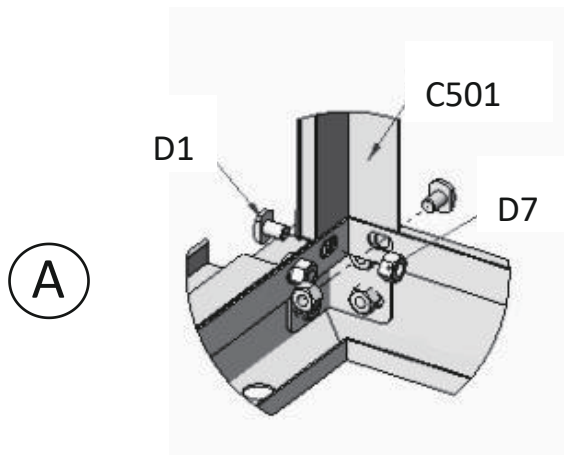


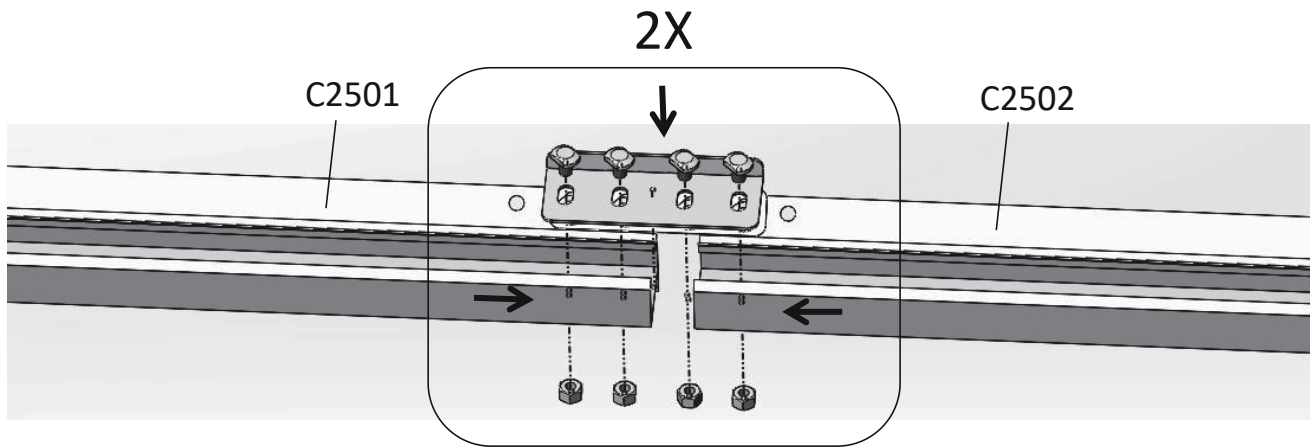
MODEL	CODE	LENGTH(mm)	QTY
	C801	971.3	1
	C802	815.9	1
	D1	M6X9*3.5	4
	D7	M6-GB41	4

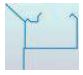






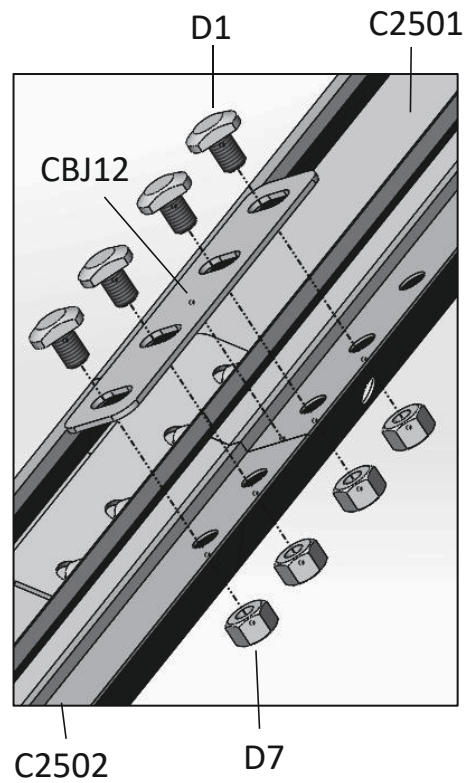
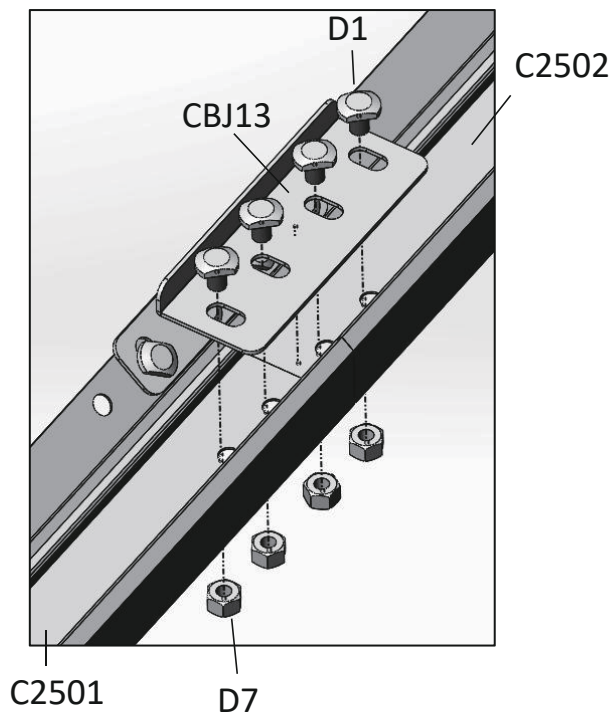


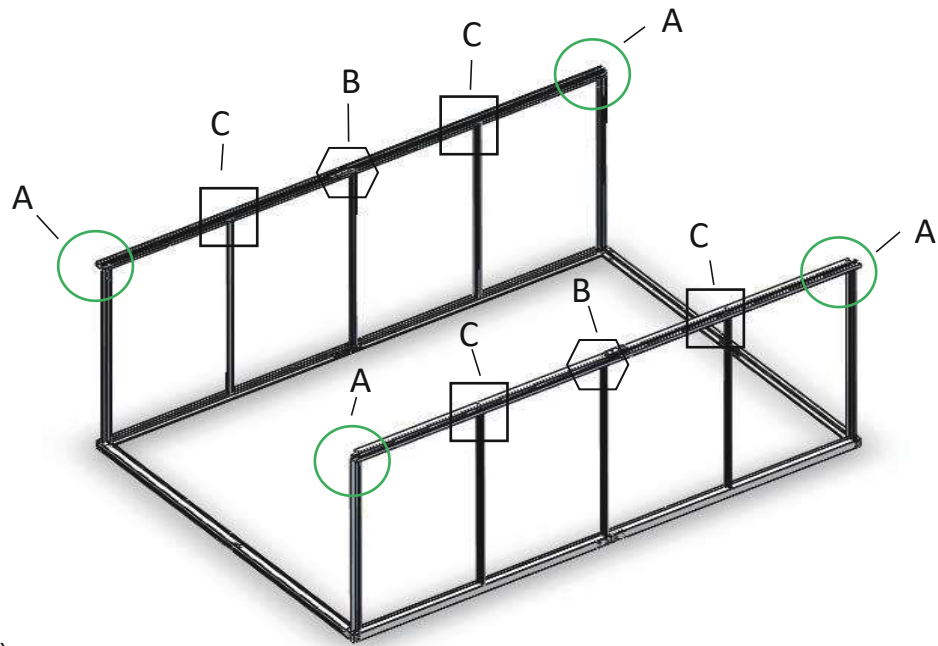
MODEL	CODE	LENGTH(mm)	QTY
	C501	1150	4
	C201	1150	6
	D1	M6X9*3.5	14
	D7	M6-GB41	14





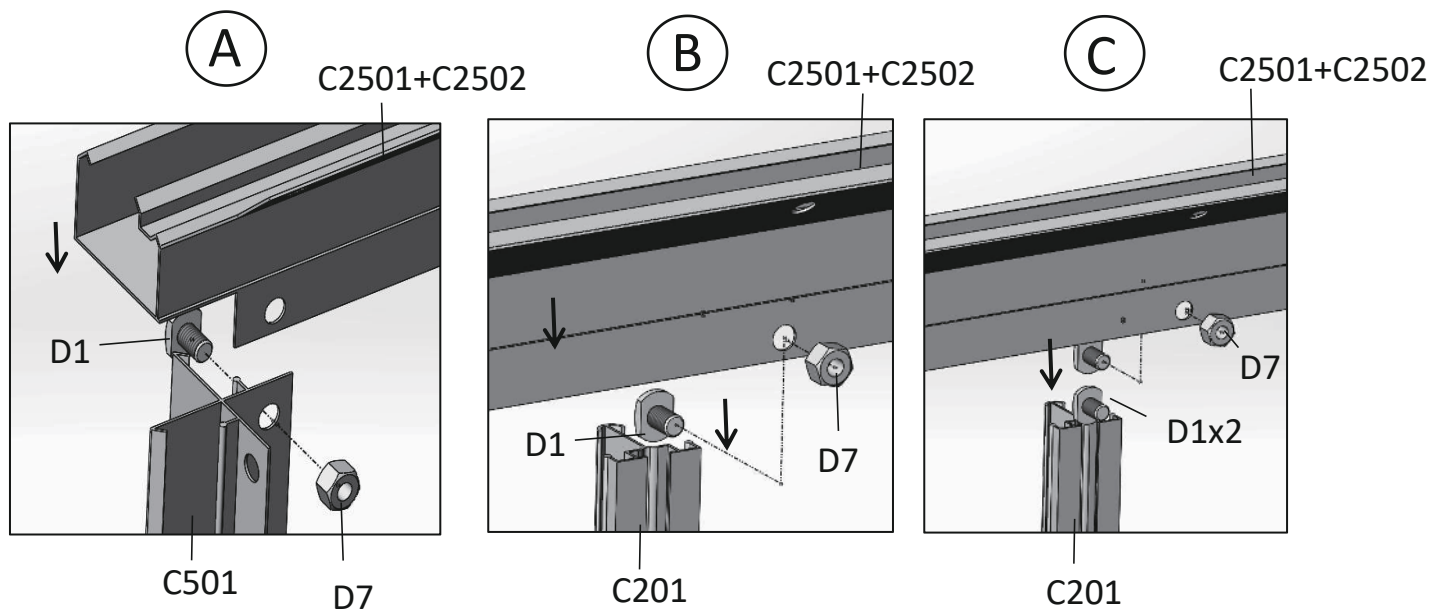


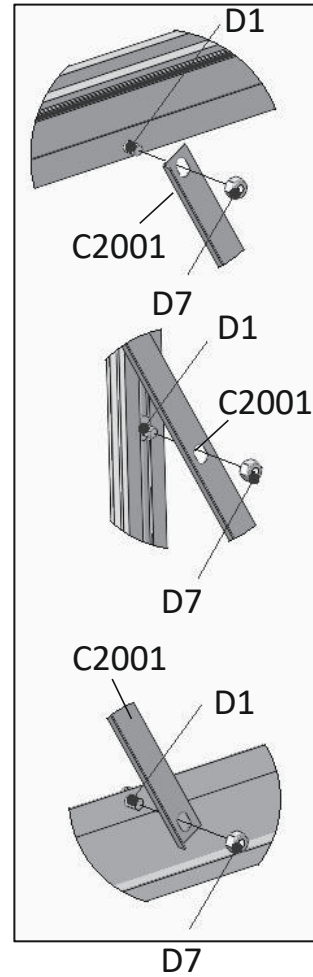
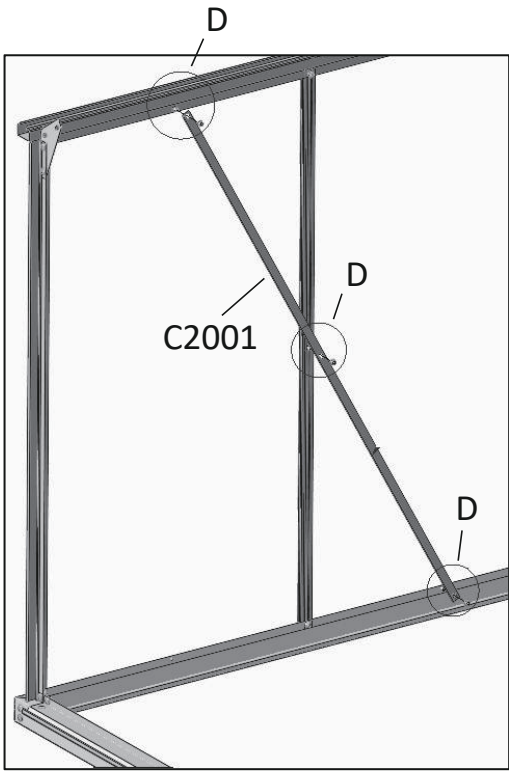
MODEL	CODE	LENGTH(mm)	QTY
	C2501	1328.5	2
	C2502	1197.7	2
	CBJ12	100*22	3
	CBJ13	100*35	2
	D7	M6-GB41	16
	D1	M6X9*3.5	16



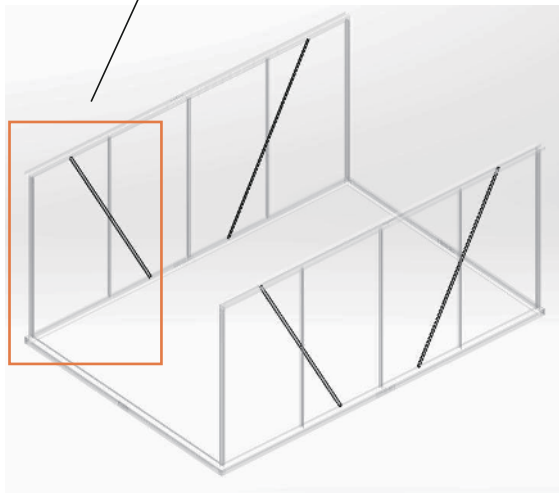





MODEL	CODE	LENGTH(mm)	QTY
	D7	M6-GB41	10
	D1	M6X9*3.5	14

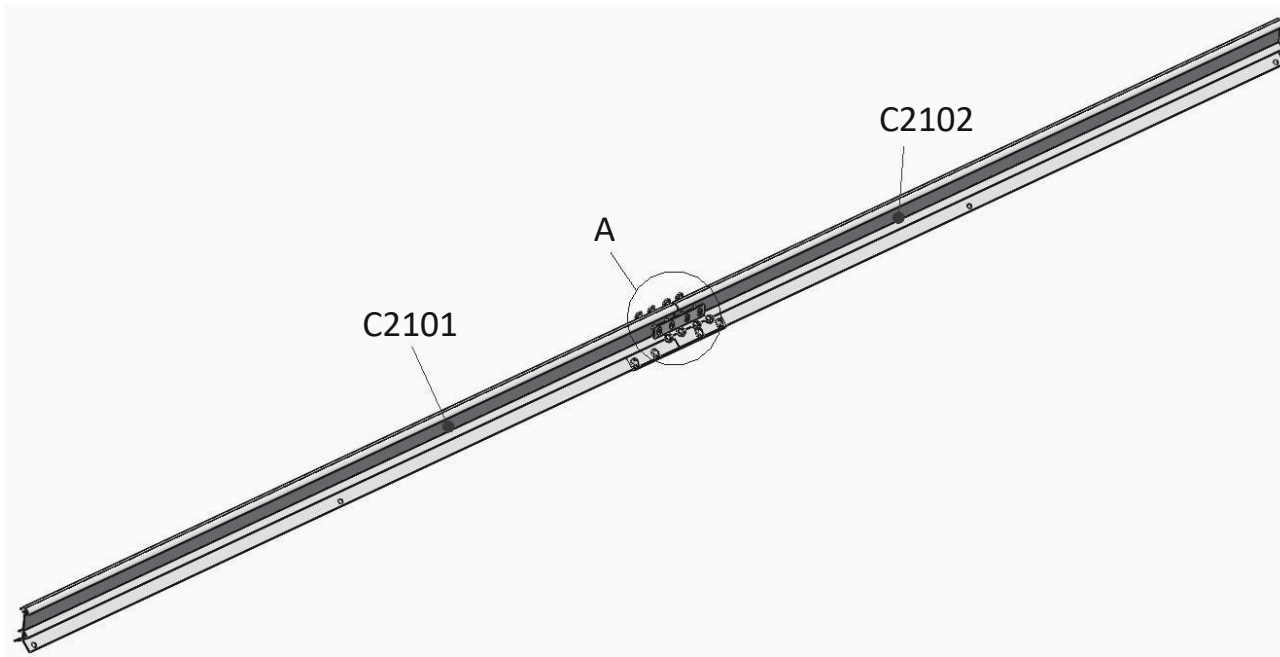




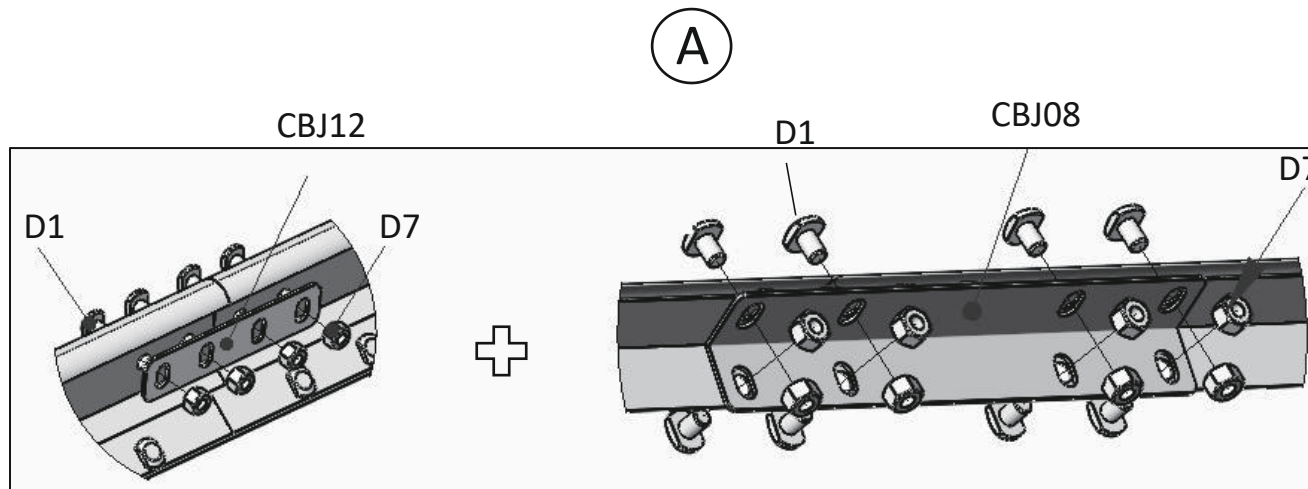
(D)

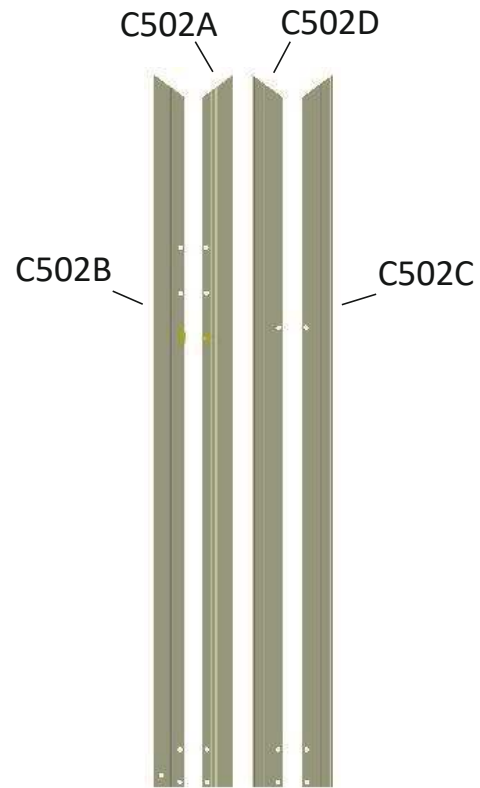
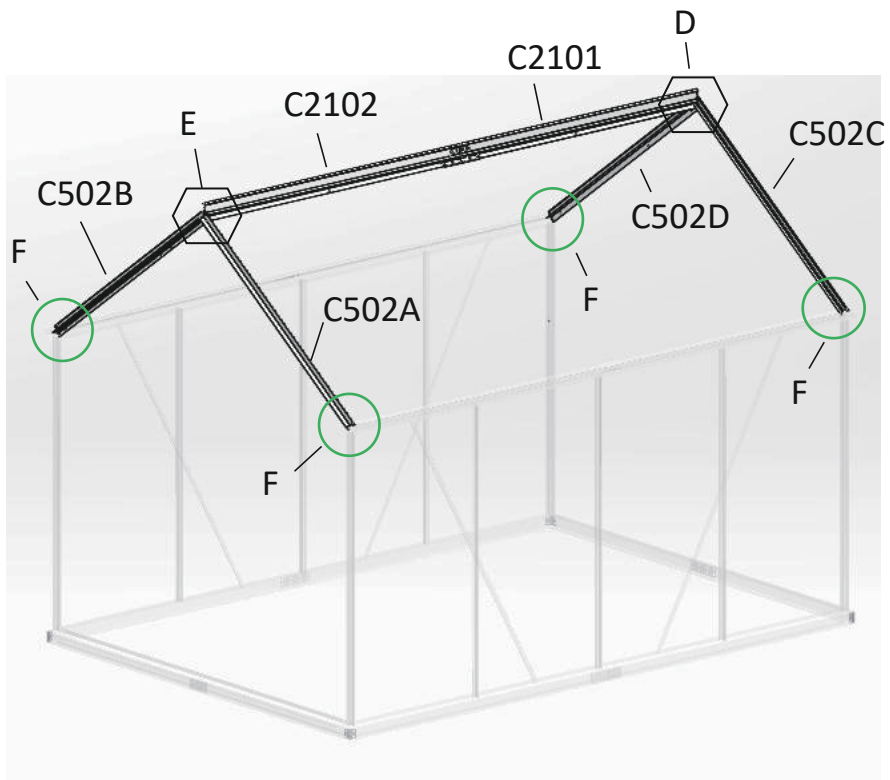


MODEL	CODE	LENGTH(mm)	QTY
	C2001	1310	4
	D1	M6X9*3.5	8
	D7	M6-GB41	12

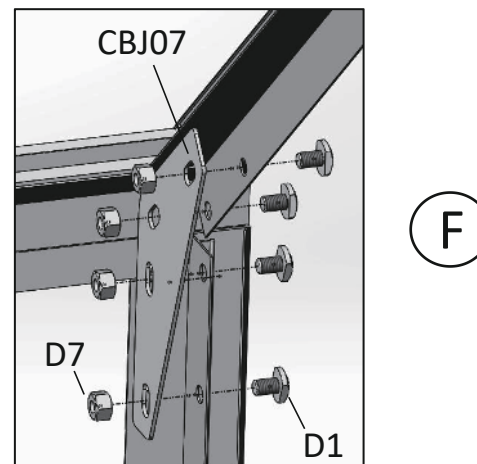
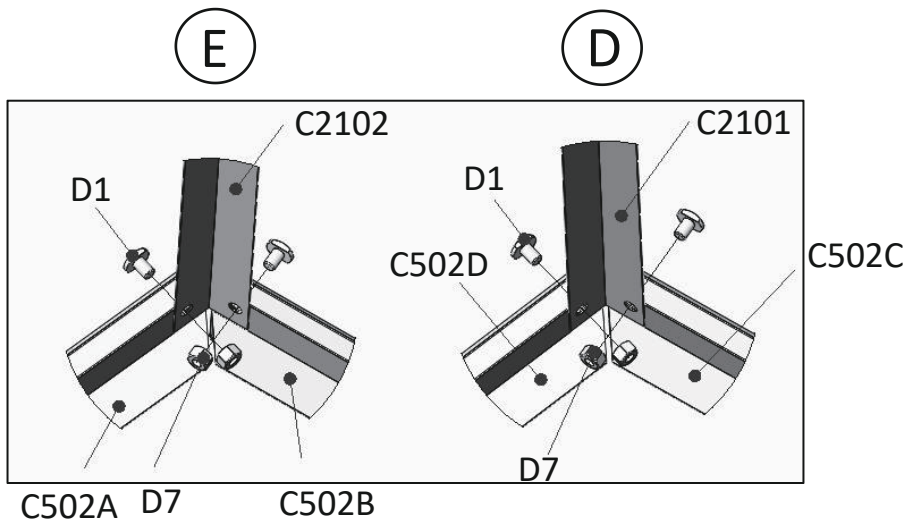


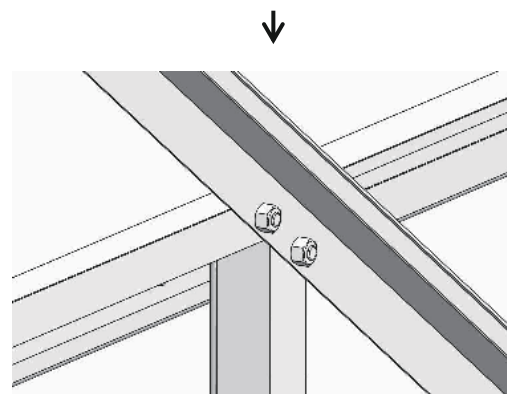
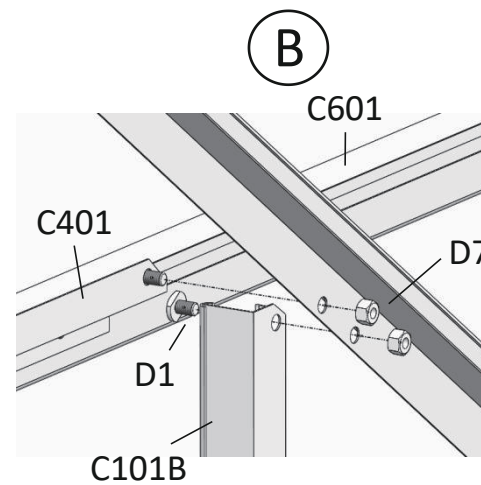
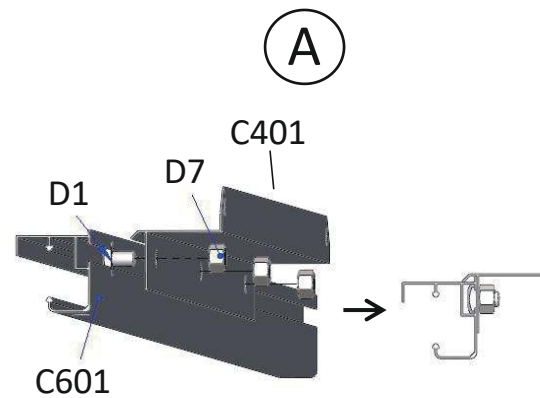
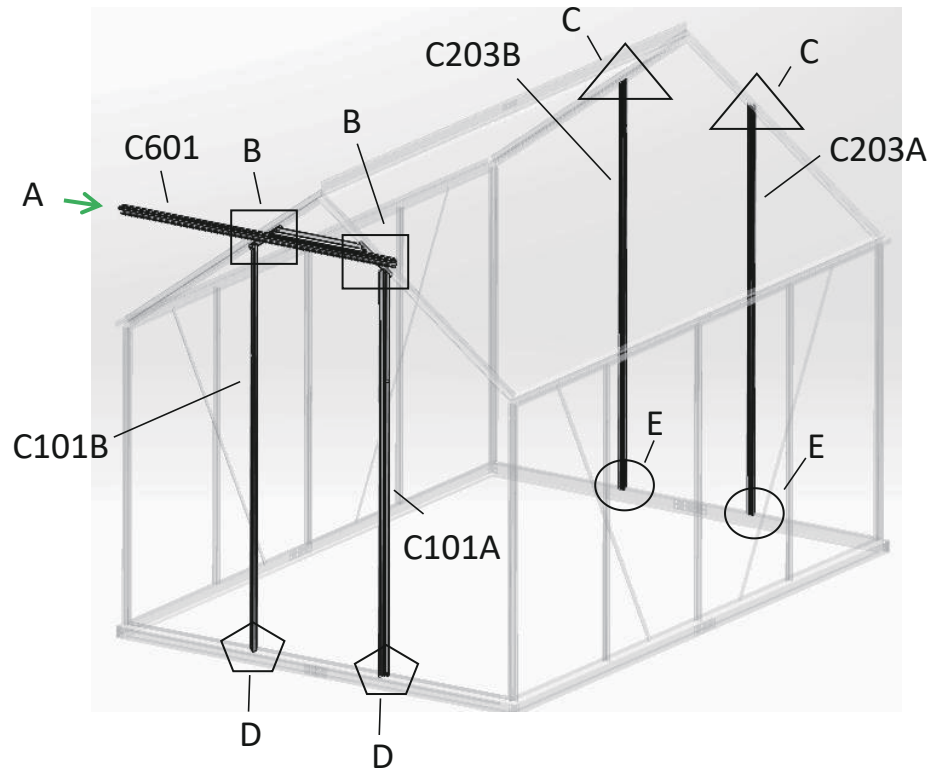
MODEL	CODE	LENGTH(mm)	QTY
	C2101	1193.7	1
	C2102	1280.5	1
	CBJ08	185	1
	CBJ12	100*22	3
	D1	M6X9*3.5	12
	D7	M6-GB41	12



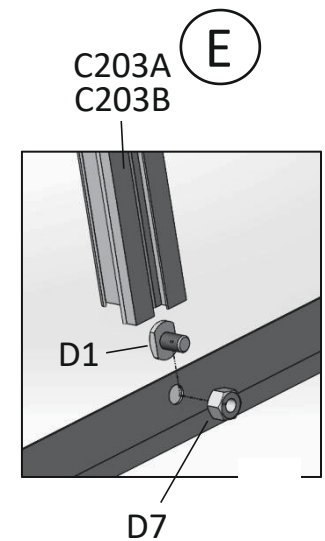
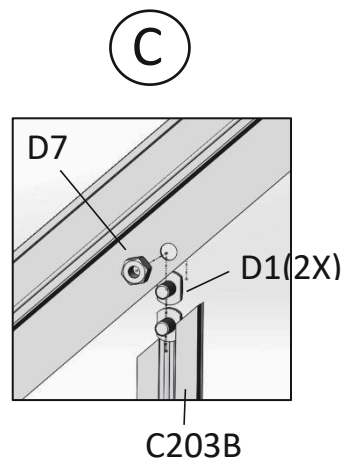
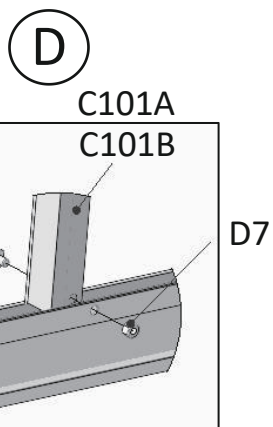


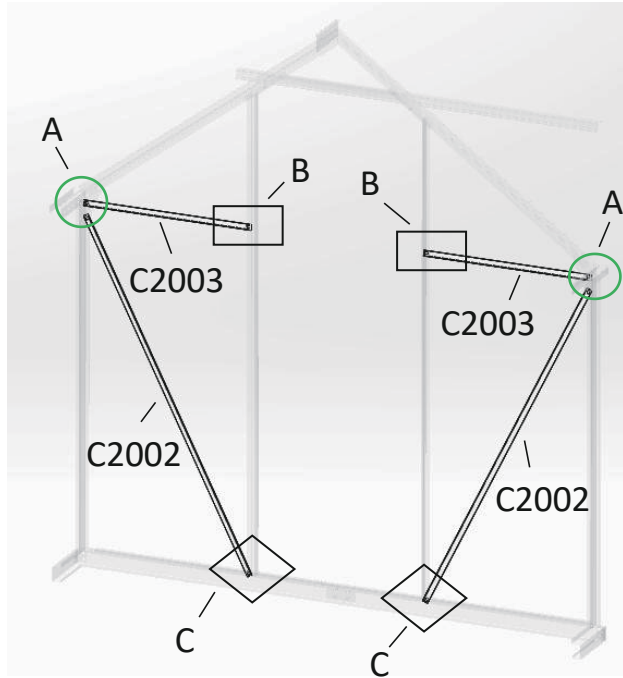
MODEL	CODE	LENGTH(mm)	QTY
	C502A	1157	1
	C502B	1157	1
	C502C	1157	1
	C502D	1157	1
	CBJ07	138*69	4
	D1	M6X9*3.5	20
	D7	M6-GB41	20



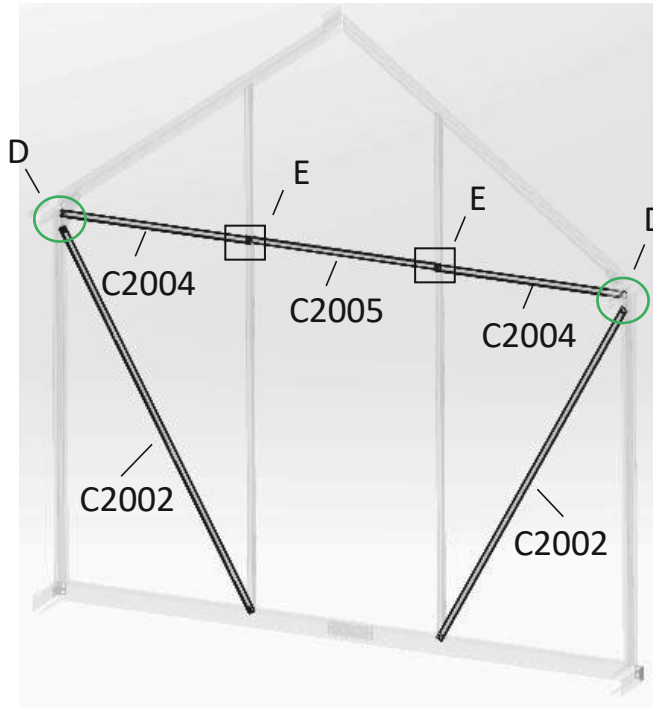


MODEL	CODE	LENGTH(mm)	QTY
	C601	1275	1
	C101A	1606	1
	C101B	1606	1
	C401	606	1
	C203A	1622	1
	C203B	1622	1
	D1	M6X9*3.5	15
	D7	M6-GB41	13



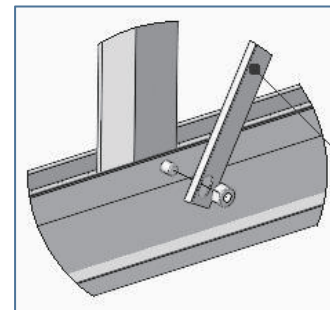
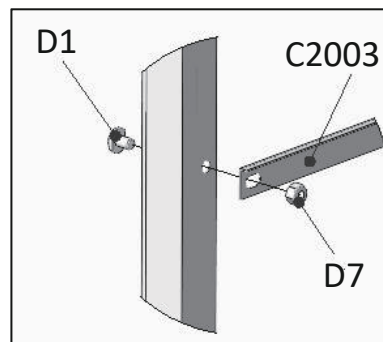
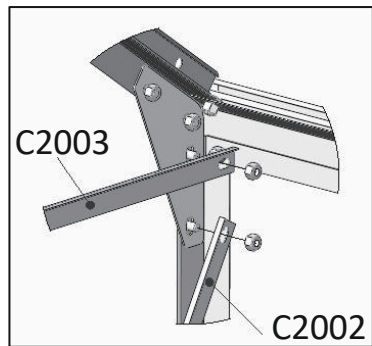


(A)

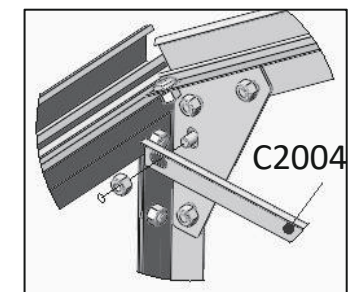


(B)

(C)



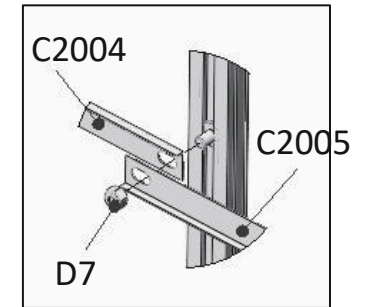
C2002



C2004

MODEL	CODE	LENGTH(mm)	QTY
	C2002	1253	4
	C2003	610	2
	C2004	616	2
	C2005	635	1
	D1	M6X9*3.5	2
	D7	M6-GB41	4

(E)

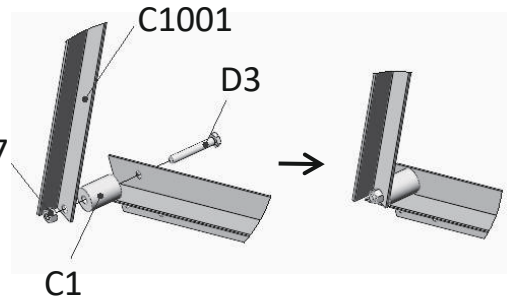
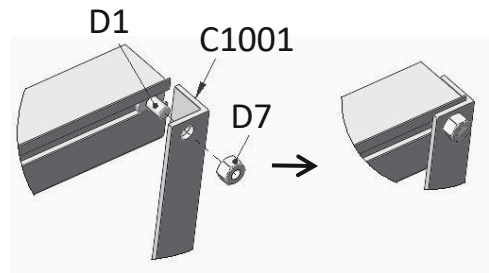
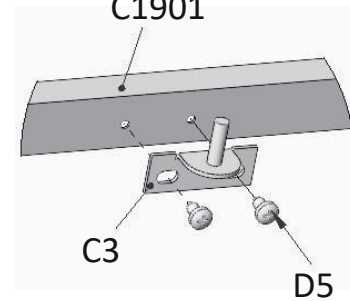
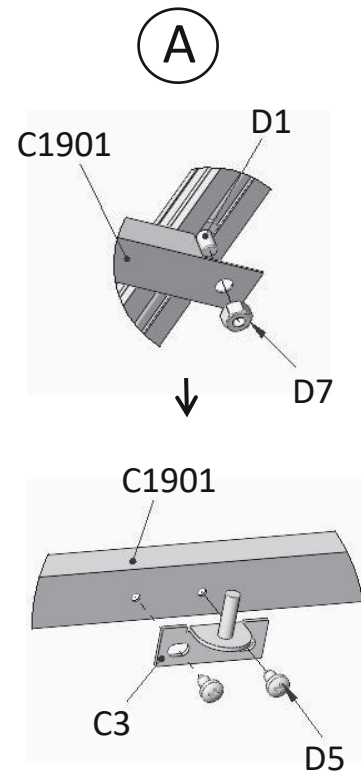
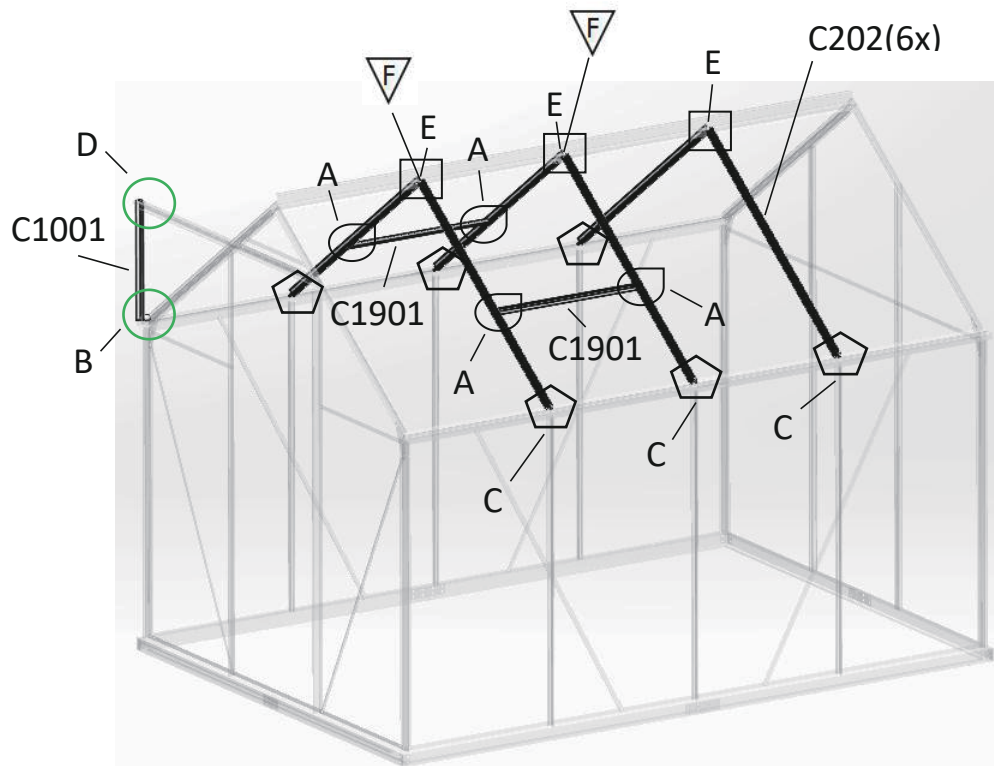


C2004

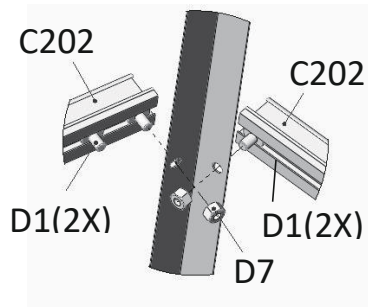
C2005

D7

(D)



E



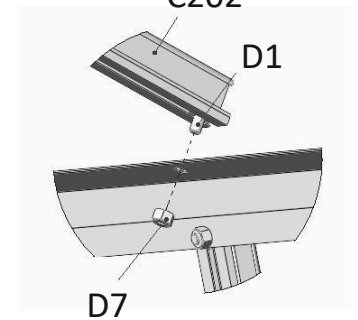
Slide Screw into F in advance:
D1 (2x)

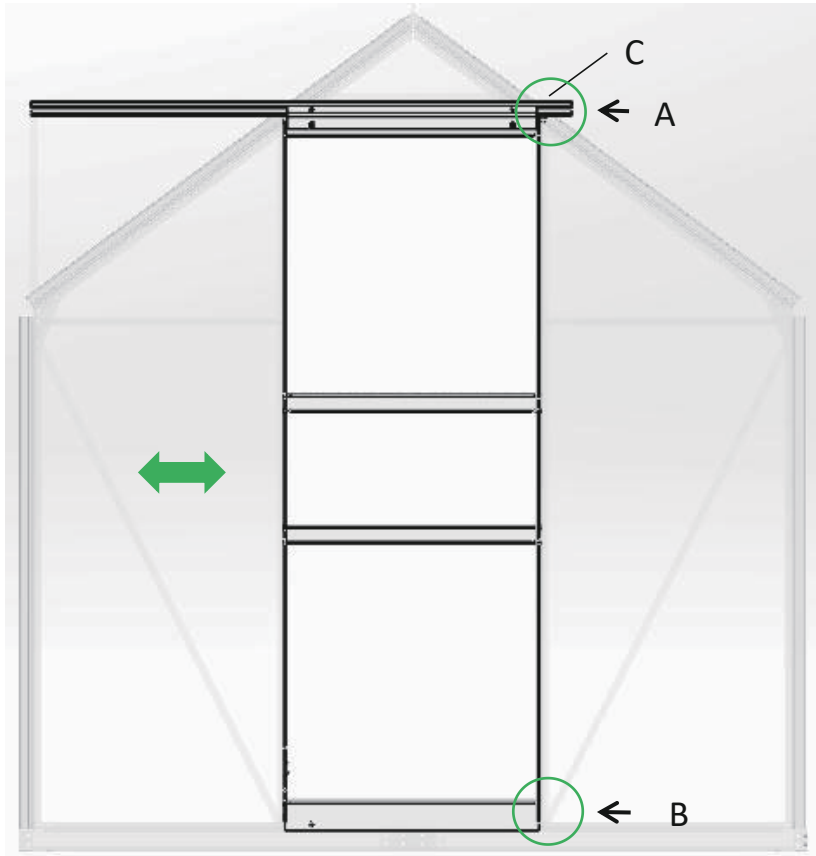
B



D

C

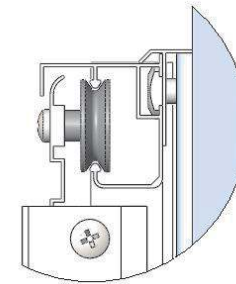
MODEL	CODE	LENGTH(mm)	QTY
	C1901	644	2
	C202	1137	6
	C1001	405.5	1
	C3		2
	C1	28	1
	D3	M6X40	1
	D5	ST4. 2X9.5	4
	D1	M6X9*3.5	17
	D7	M6-GB41	18



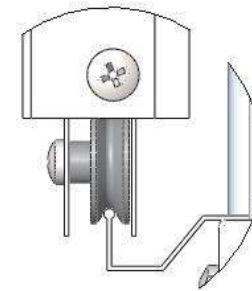


MODEL	CODE	LENGTH(mm)	QTY
	D2	M6X16	1
	D7	M6-GB41	1

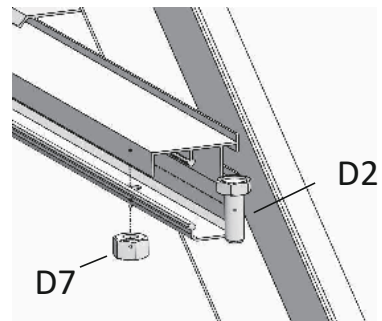
(A)

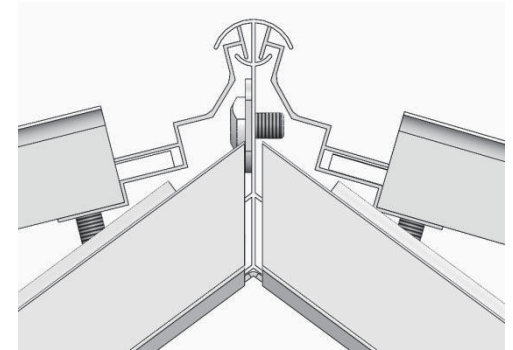
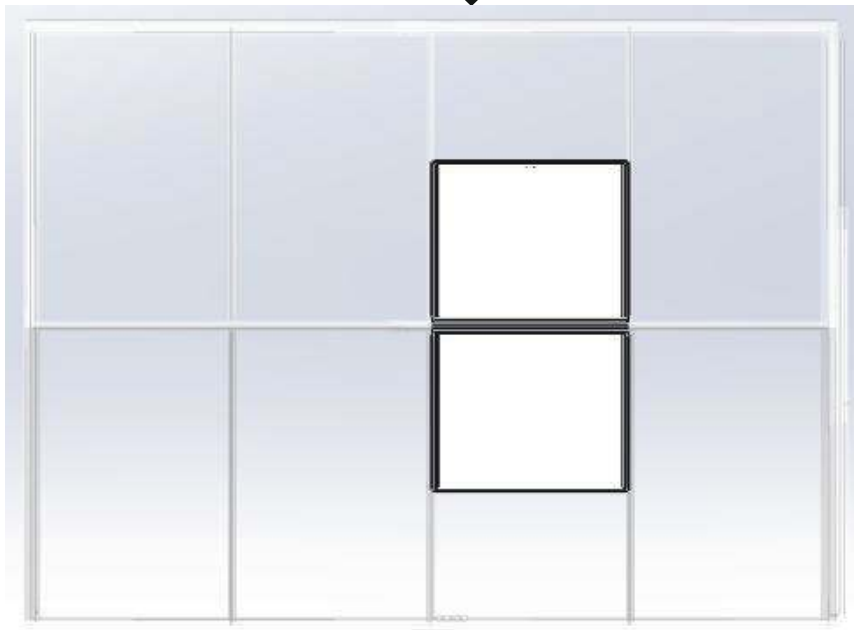
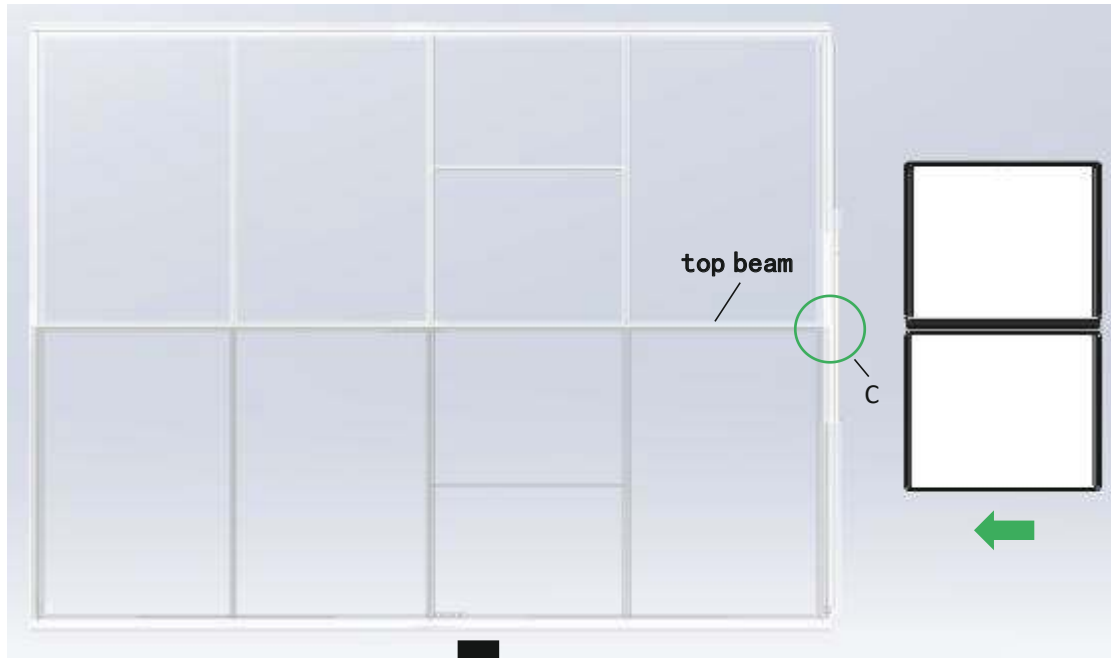


(B)

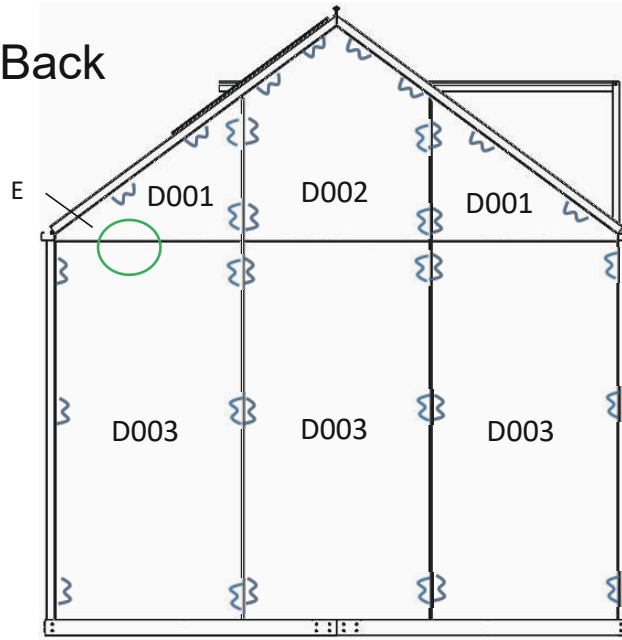





(C)





Back



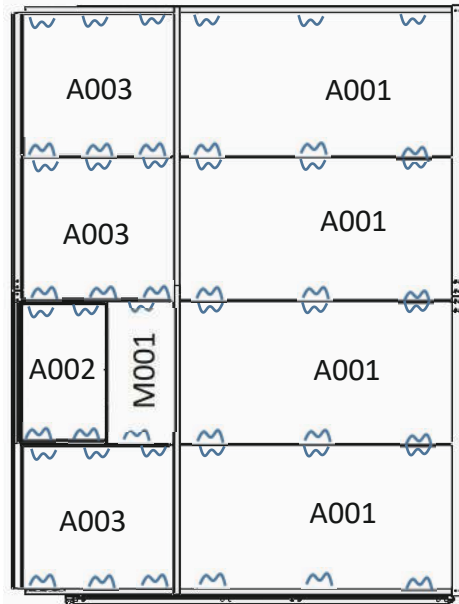
MODEL	CODE	LENGTH(mm)	QTY
	C2201	621	2
	C2202	610	3
	C4		155

C2202



E

Right



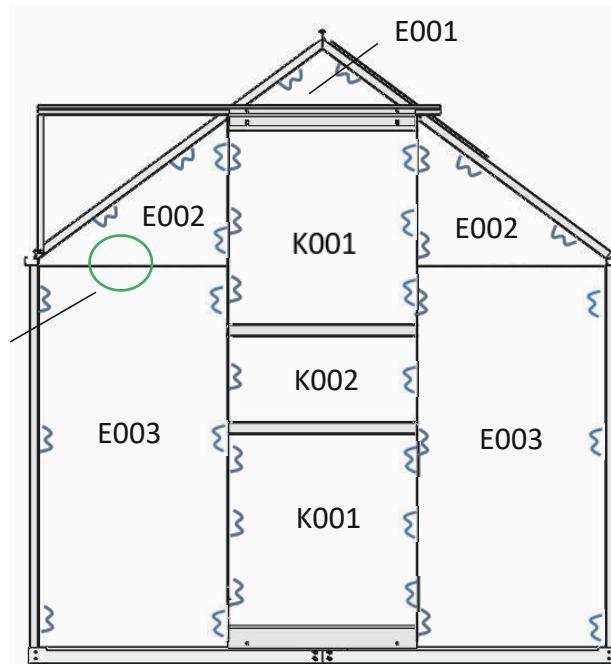
C2201



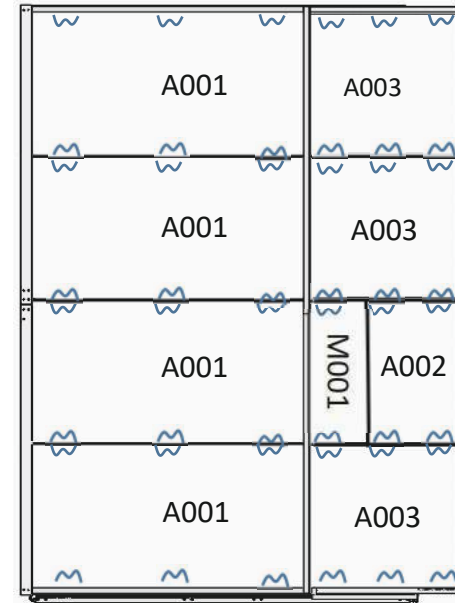
F

Front

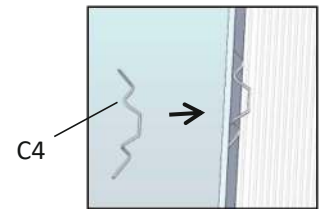
E



Left



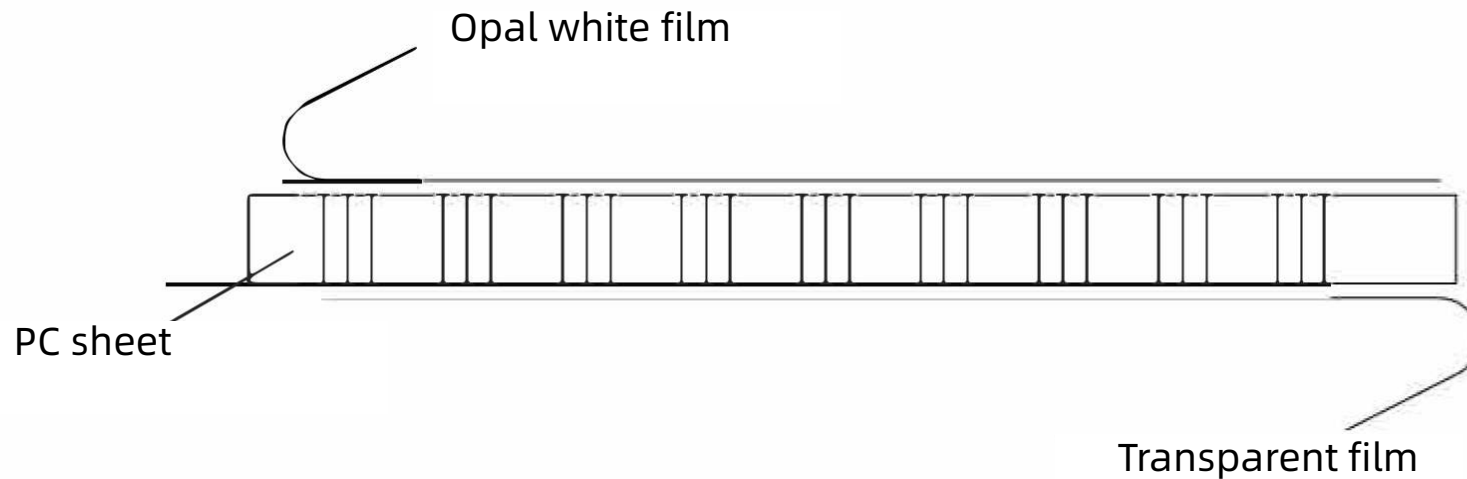
Note: First PC board is assembled into aluminum part. Then place spring on the outer surface against PC board as installation direction shown in below diagram



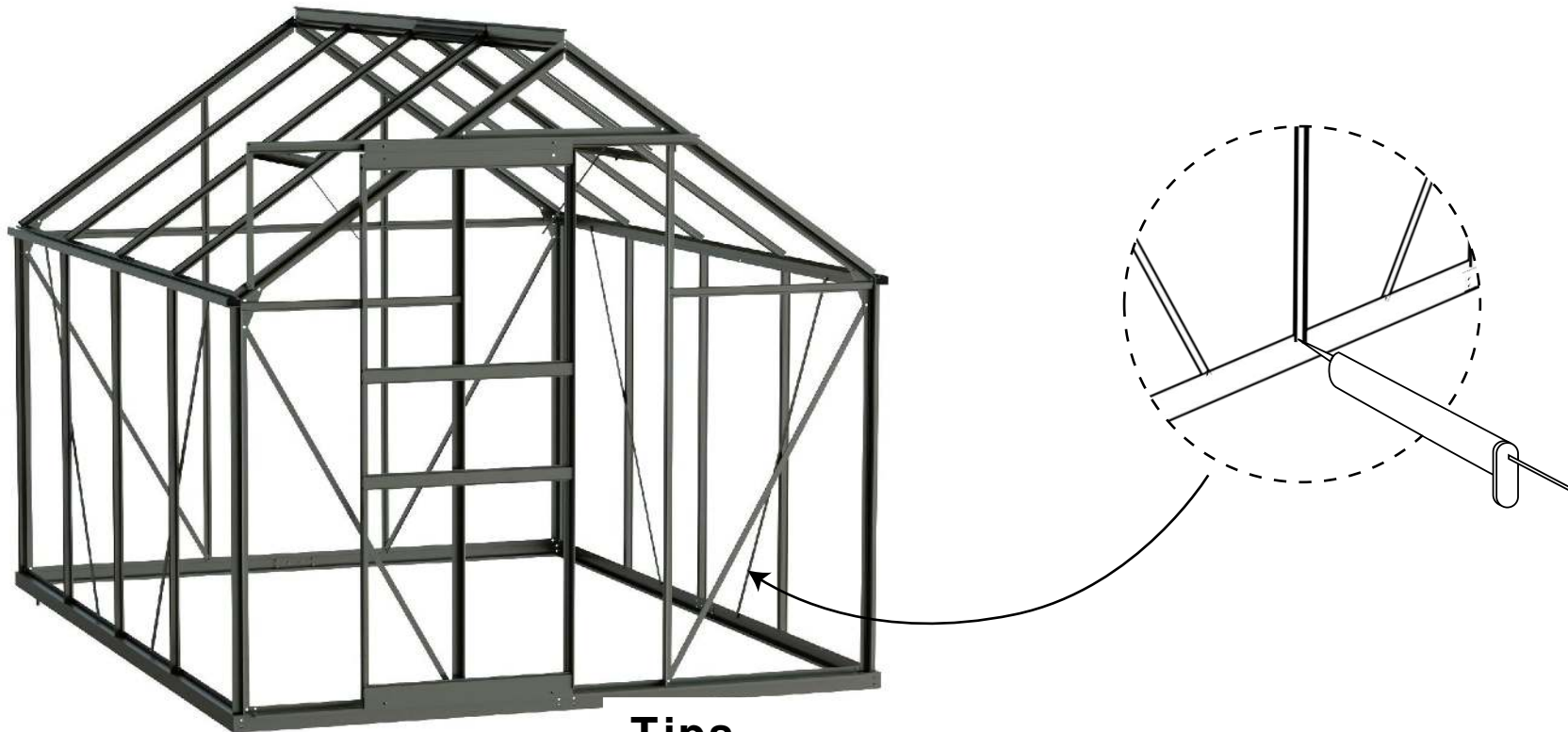
Notes:

1. Remove approximately 5cm of film from all sheet edges before installing. Remove all film immediately after the construction completed.
2. The UV-protected side of the sheet is covered with opal white film and must be face towards the sun.

POLYCARBONATE PANEL



Two side of PC sheet are covered with thin film, one side`s film is transparent, another`s film is opal white. The UV-protect side of the sheet is covered with opal white and must face towards the outside.



Tips

It is not necessary but we would advise:

For additional strength, you can also use some glue or tapes between the polycarbonate panel and the aluminium frame to enhance the stability.

Note: Silicone sealant and glue gun are not included in our tool kit. You can buy it locally. Only use silicone sealant suitable for aluminium.