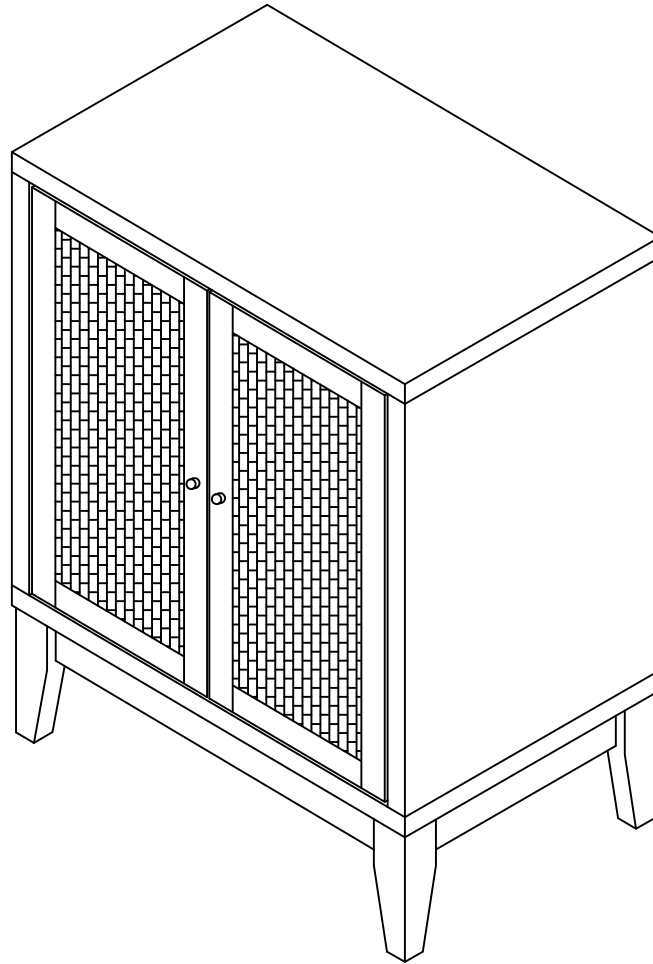


ASSEMBLY INSTRUCTIONS

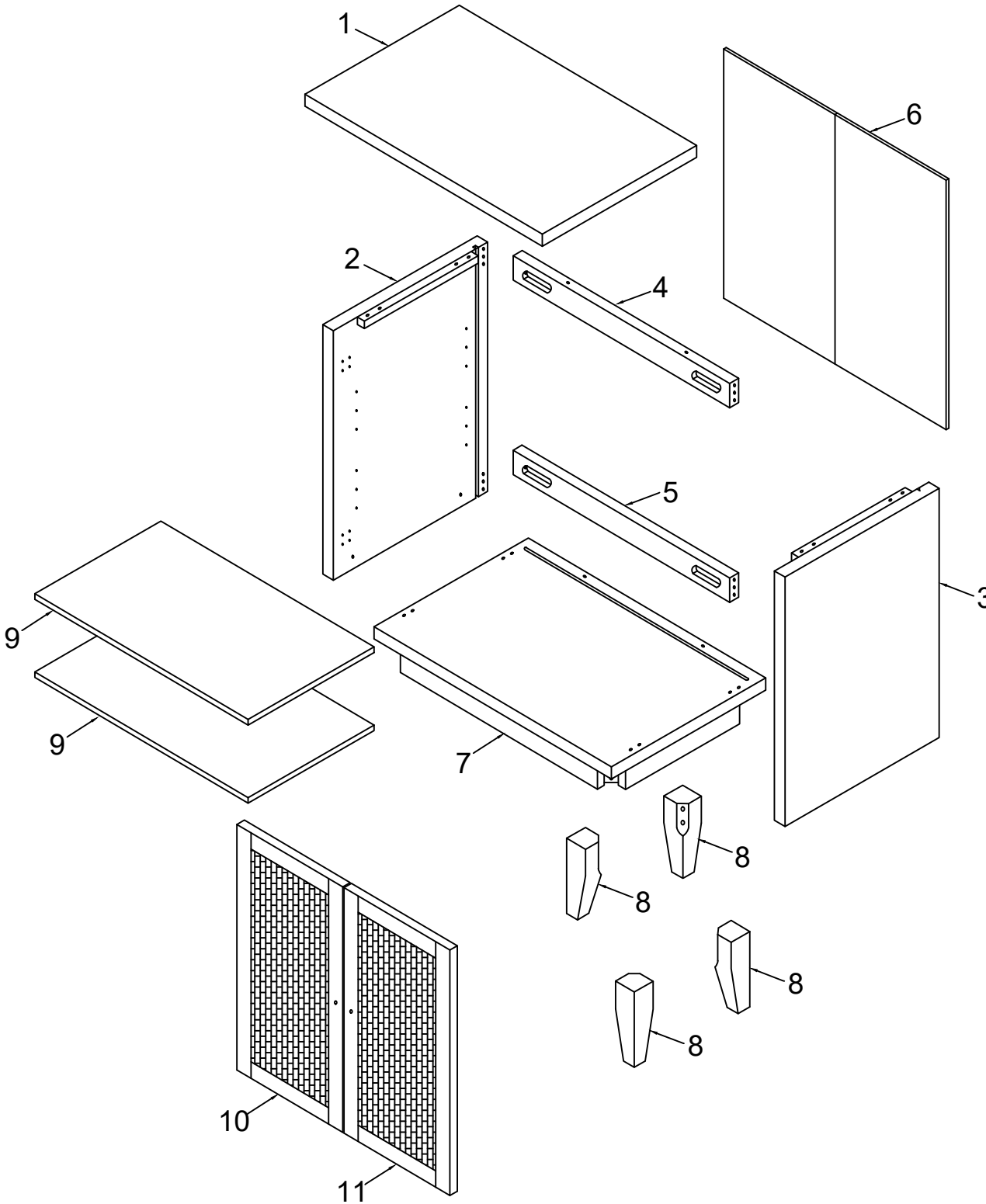
ITEM NO. FB6019HS



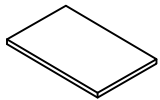

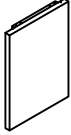
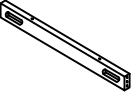
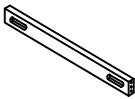
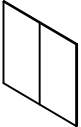
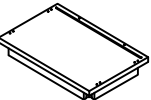

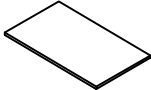
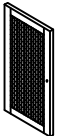
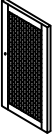
ASSEMBLY TIPS:

1. Remove hardware from box and sort by size.
2. Please check to see that all hardware and parts are present prior to start of assembly.
3. Please follow attached instructions in the same sequence as numbered to assure fast & easy assembly.













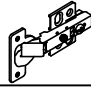
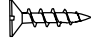
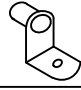
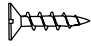
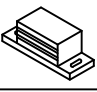
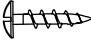

Exploded View



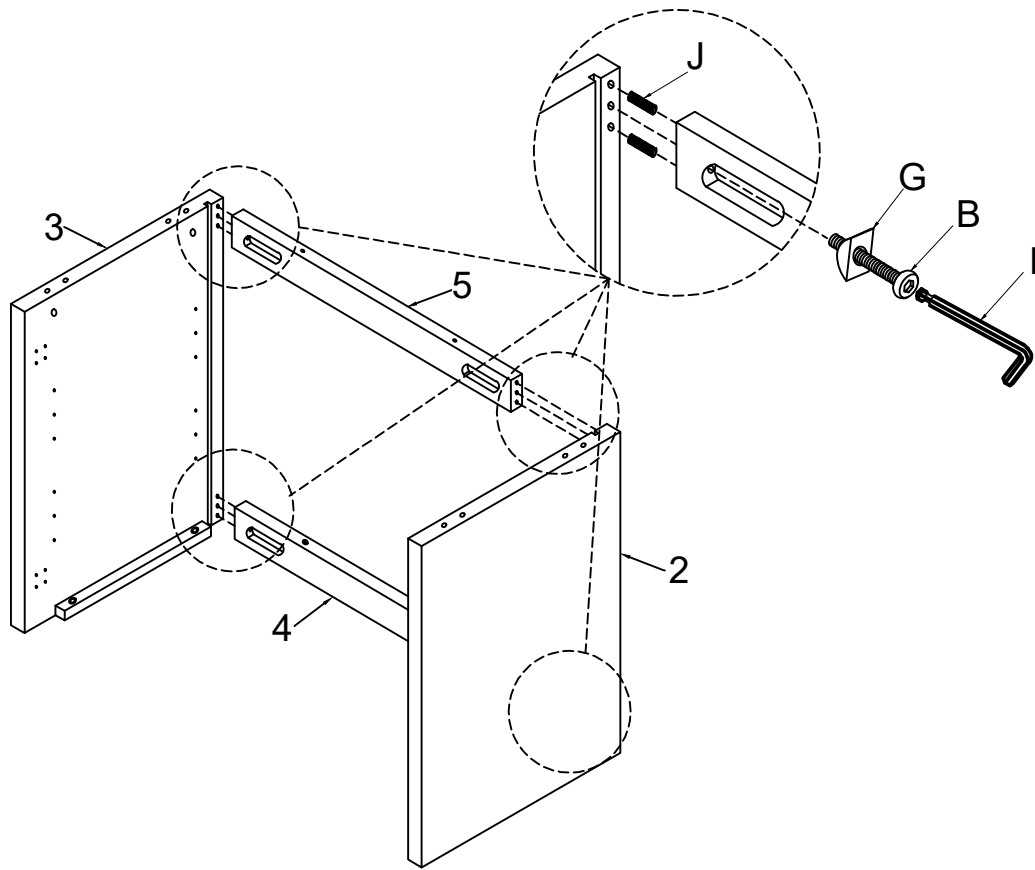
PARTS LIST

NO.	DIAGRAM	PART NAME	Q'Ty
1		Top Panel	1pc
2		Side Frame (Left)	1pc
3		Side Frame (Right)	1pc
4		Top Stretcher	1pc
5		Bottom Stretcher	1pc
6		Back Panel	1pc
7		Bottom Frame	1pc
8		Leg	4pcs
9		Shelf	2pcs
10		Door (Left)	1pc
11		Door (Right)	1pc

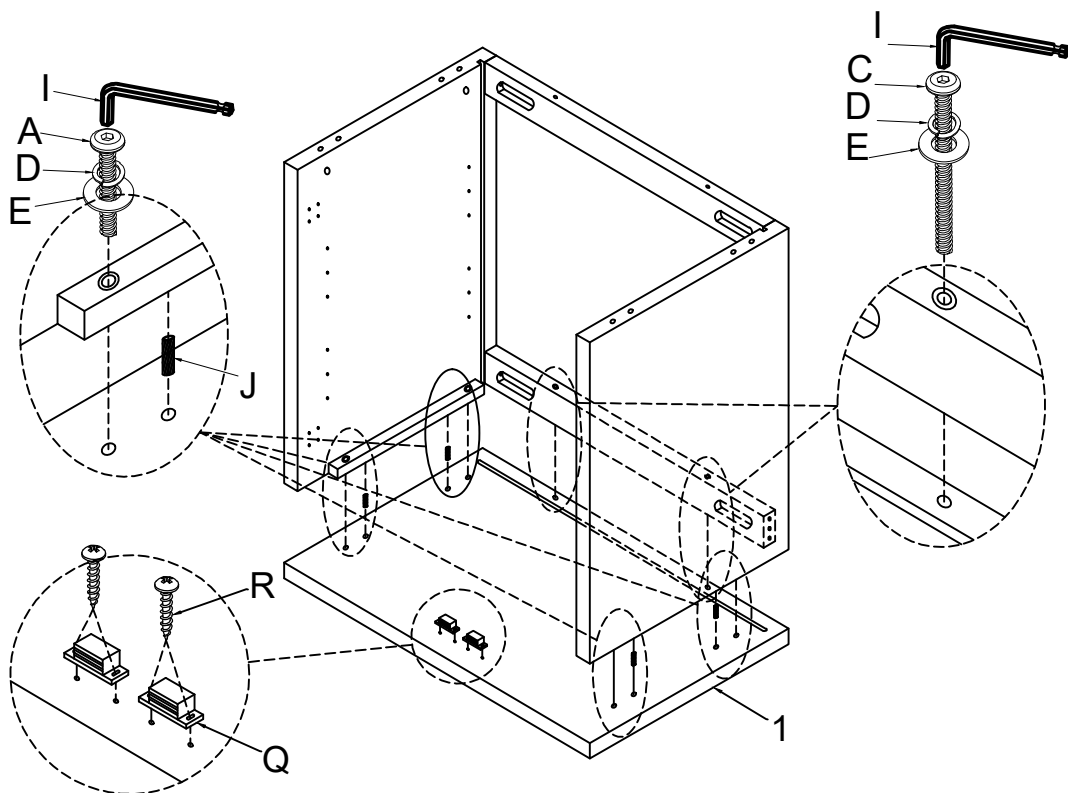
HARDWARE LIST

NO.	DIAGRAM	PART NAME	Q'Ty
A		Bolt Ø1/4" x 1-3/16"	6pcs
B		Bolt Ø1/4" x 2-3/16"	16pcs
C		Bolt Ø1/4" x 2-3/4"	2pcs
D		Lock washer Ø1/4"	20pcs
E		Washer Ø1/4" x 13mm	12pcs
F		Washer Ø1/4" x 19mm	8pcs
G		Crescent pad	4pcs
H		Barrel Nuts Ø1/4" x 12mm	4pcs
I		Allen Key 4mm	1pc
J		Wood Dowel Ø8 x 20mm	16pcs
K		Handle	2pcs
L		Bolt Ø5/32" x 7/8"	2pcs
M		Hinge	4pcs
N		Screw M3.5 x 15mm	24pcs
O		Shelf pin	8pcs
P		Screw M3 x 12mm	8pcs
Q		Magnetic Catch	2pcs
R		Screw M3 x 15mm	4pcs
S		Anti-tip Skit	1set

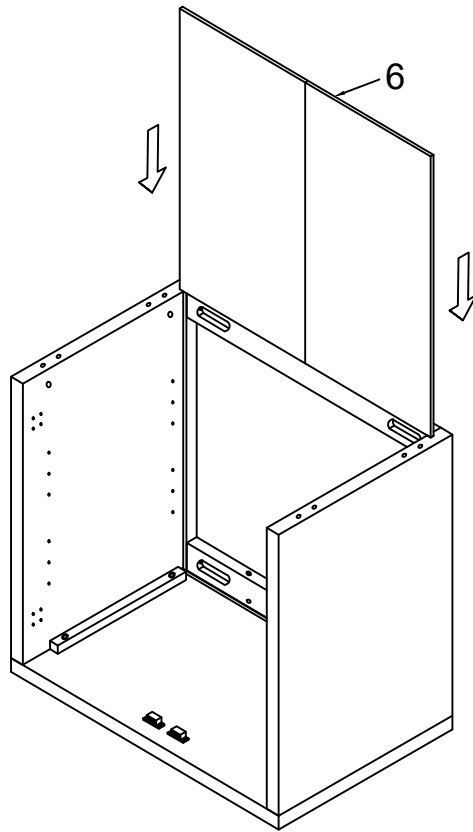
STEP 1



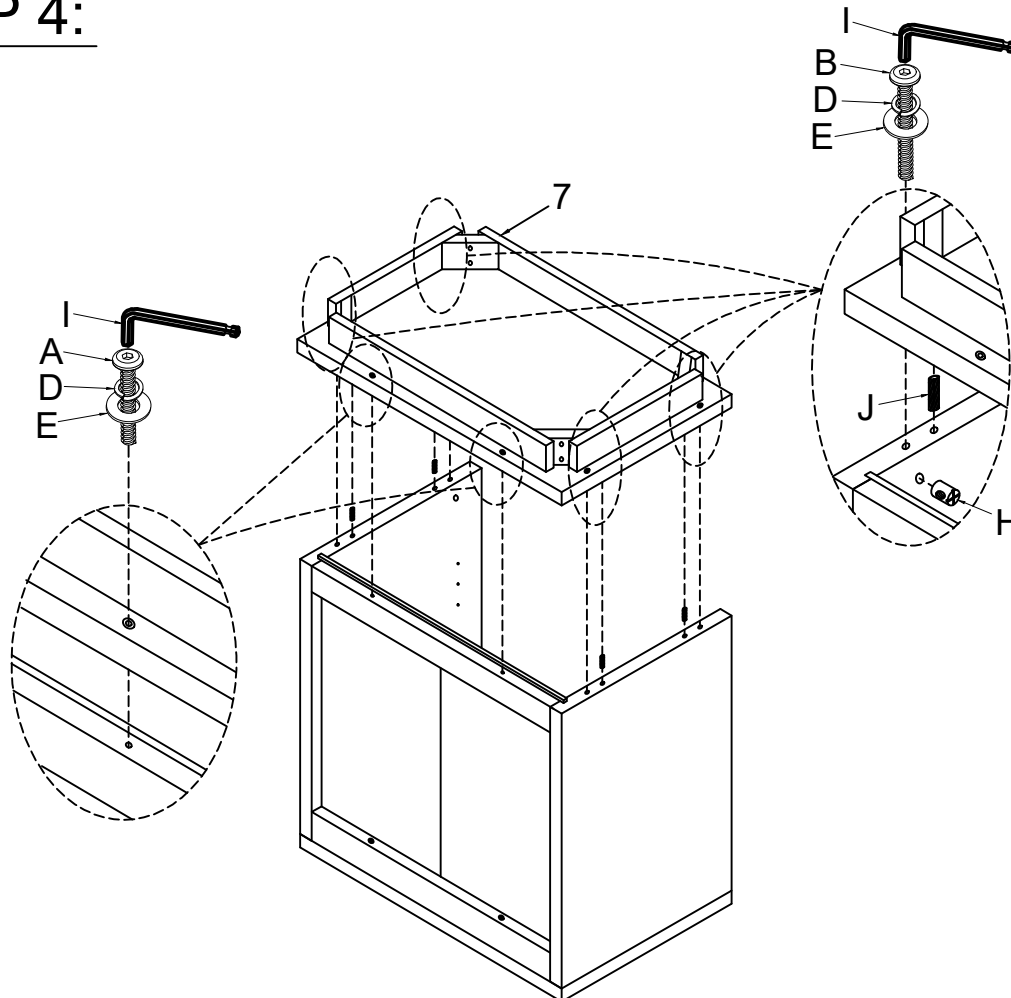
STEP 2:



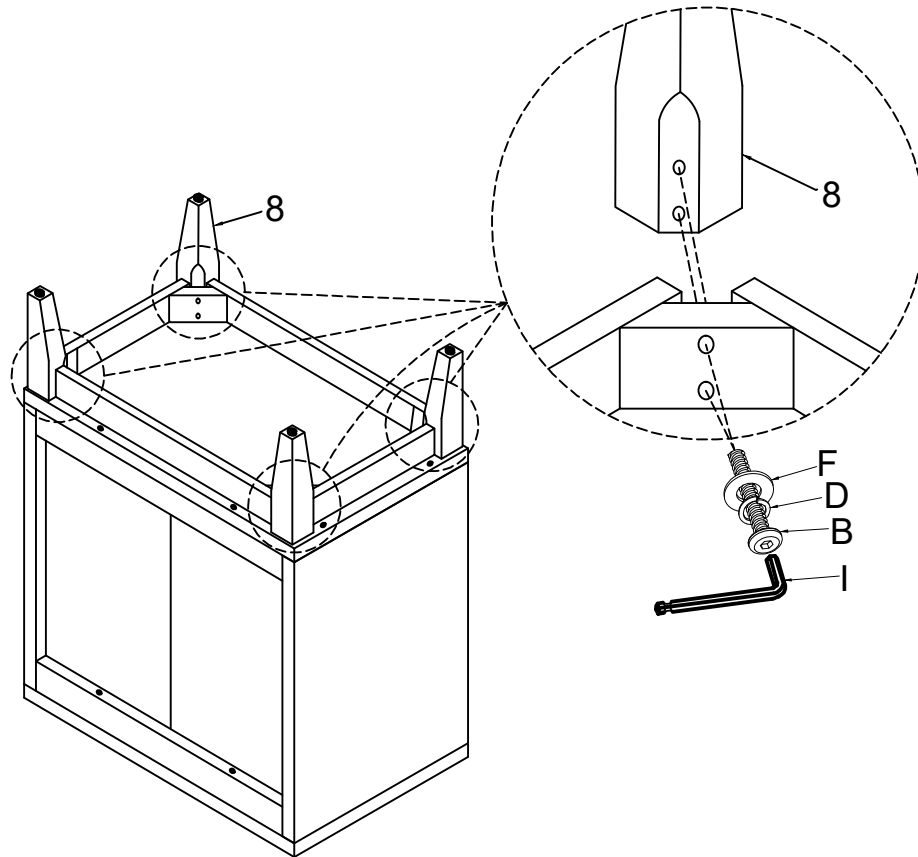
STEP 3:



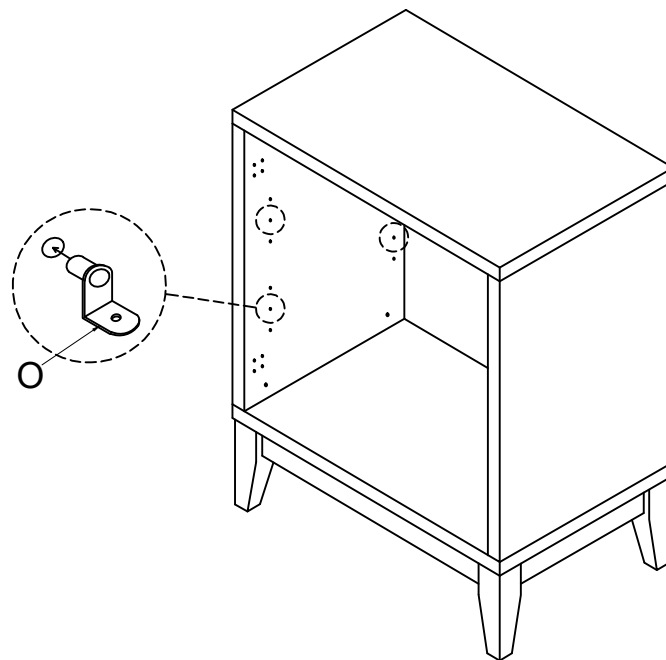
STEP 4:



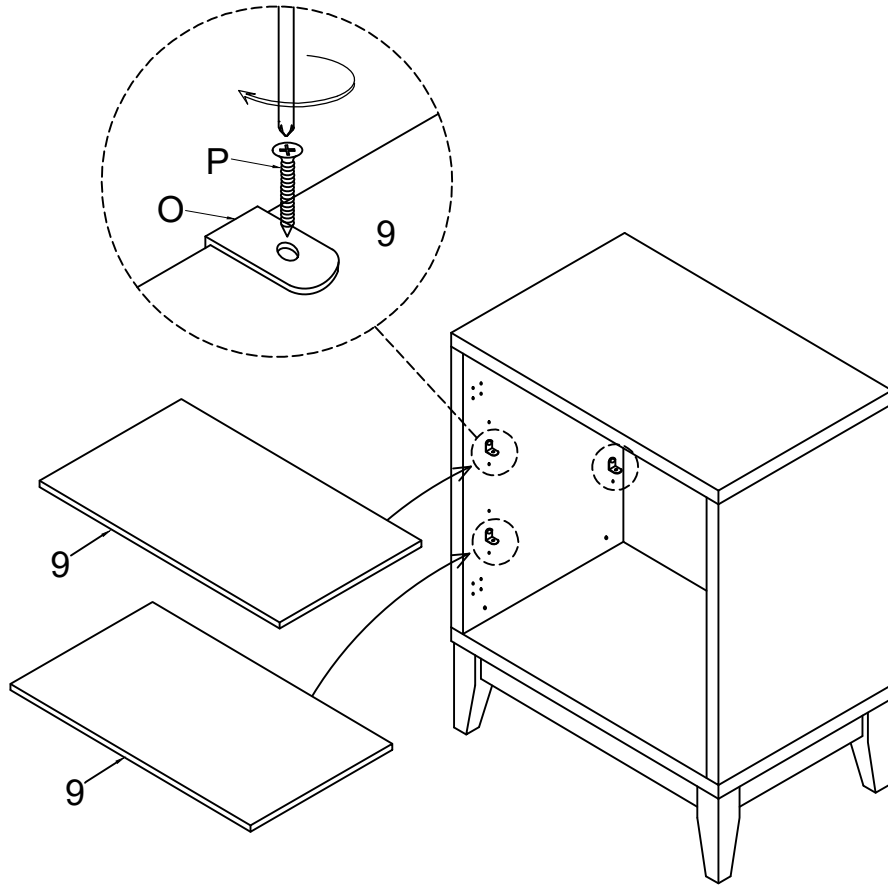
STEP 5:



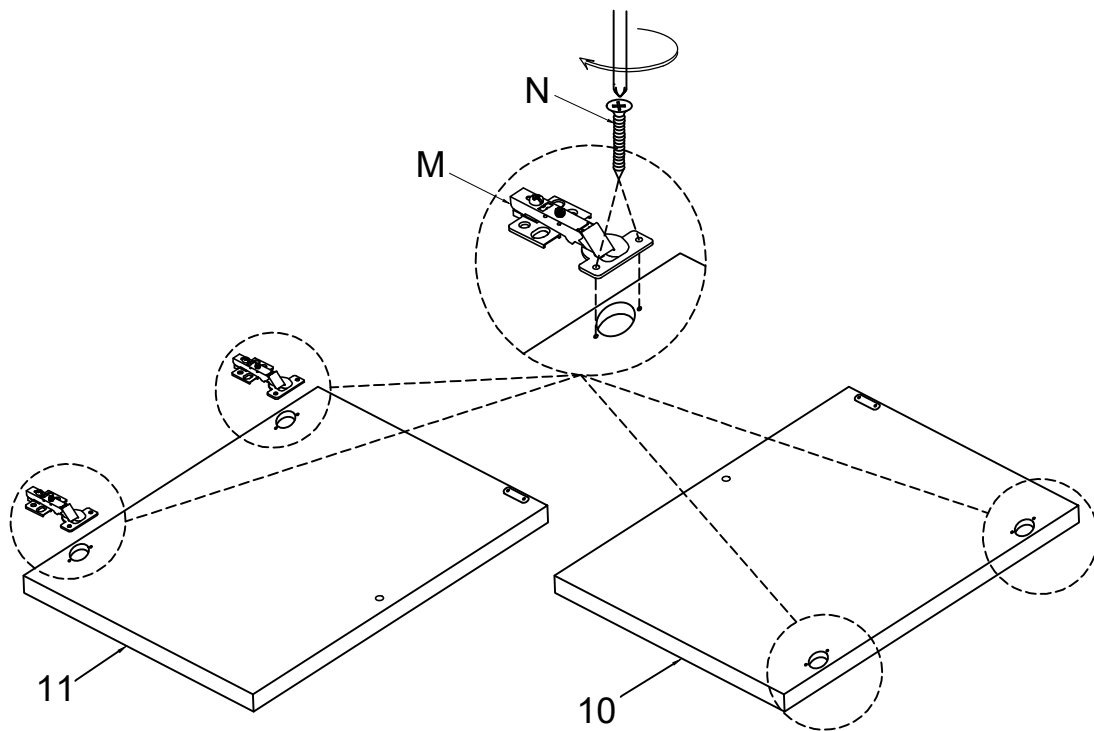
STEP 6:



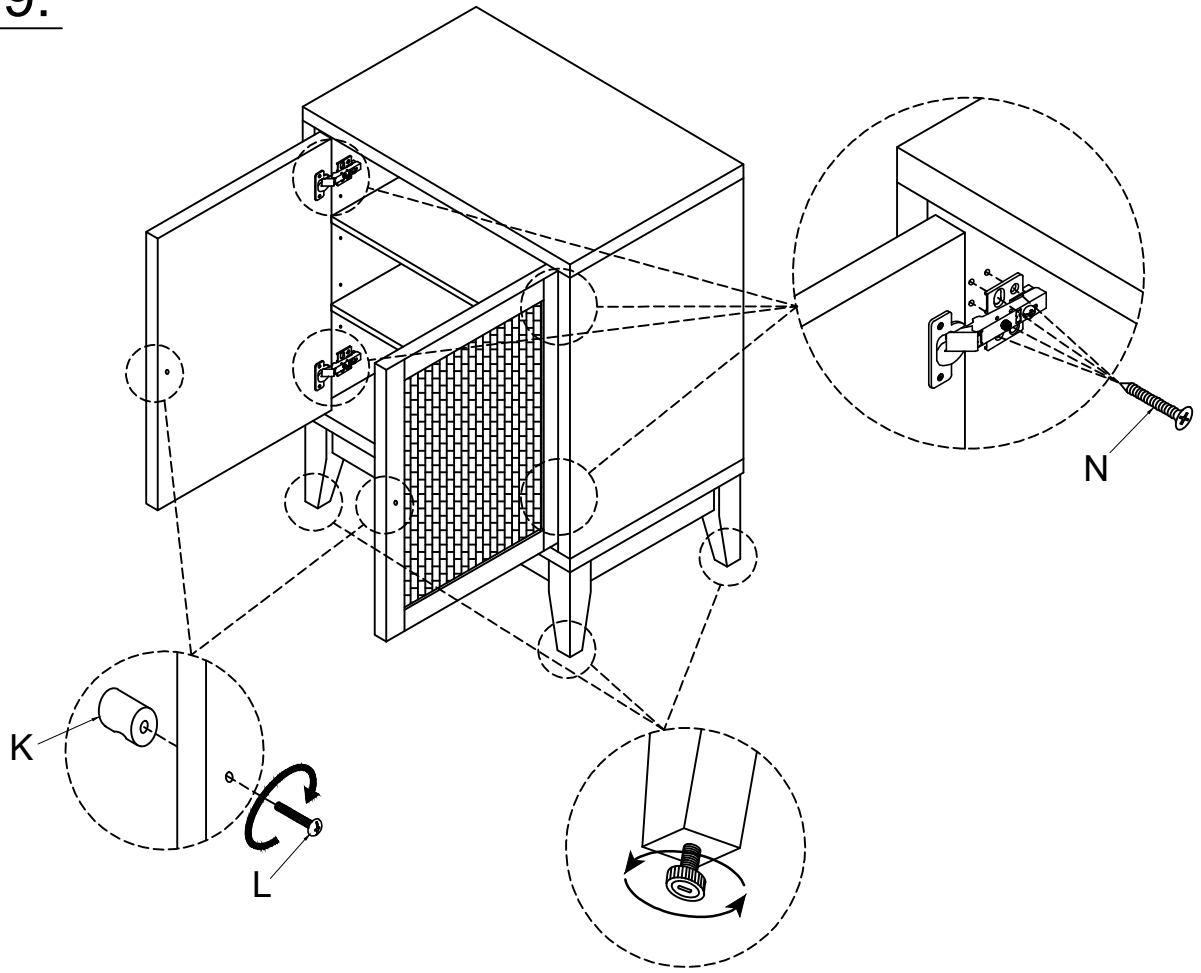
STEP 7:



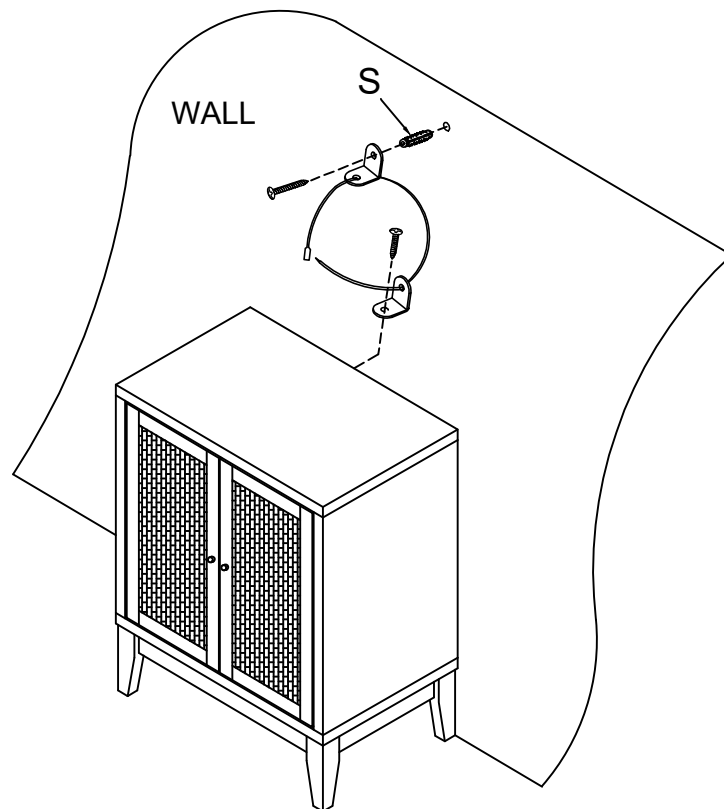
STEP 8:



STEP 9:



STEP 10:



COMPLETED :

