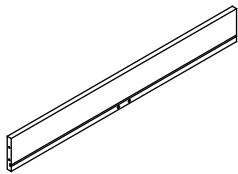
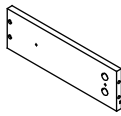


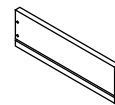
16 x1



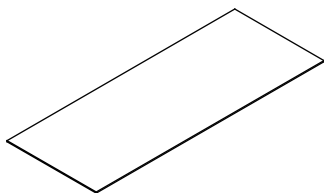
17 x1



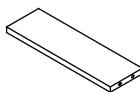
18 x1



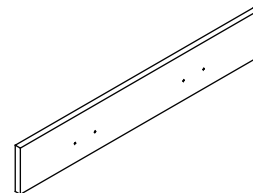
19 x1



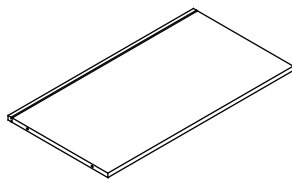
20 x1

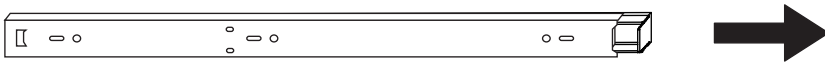
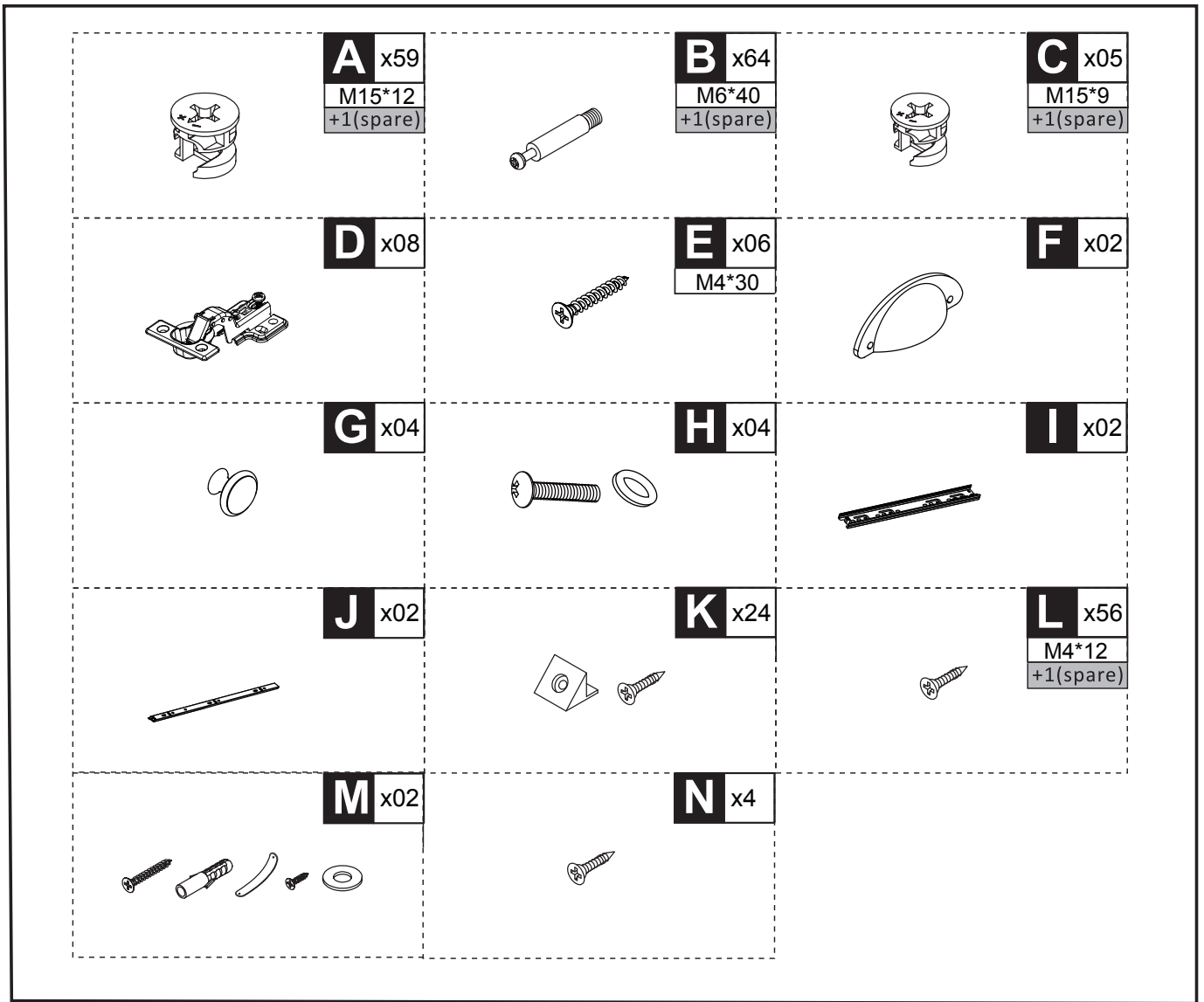


21 x1



22 x2

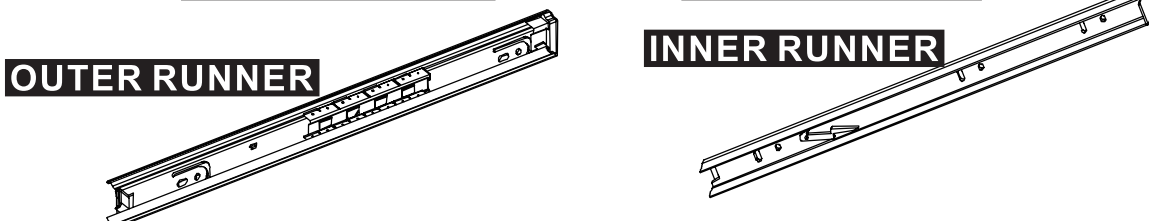




Pull inner and outer drawer runners apart before fixing them to panels.



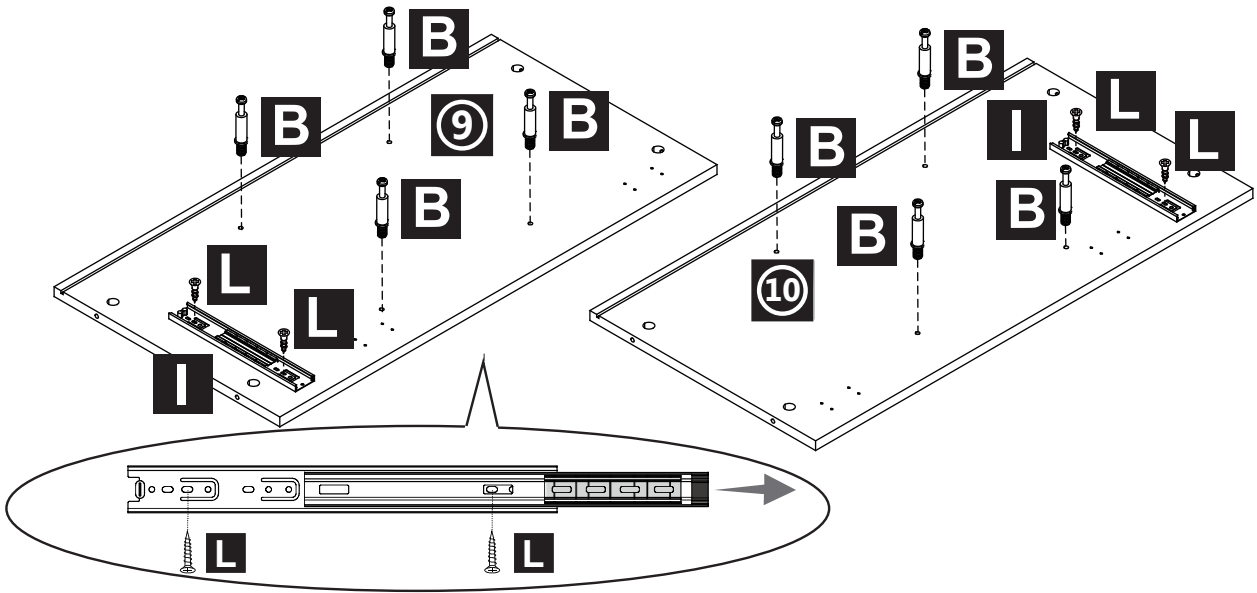
Slide drawer runners apart until the drawer lock can be seen, as shown.



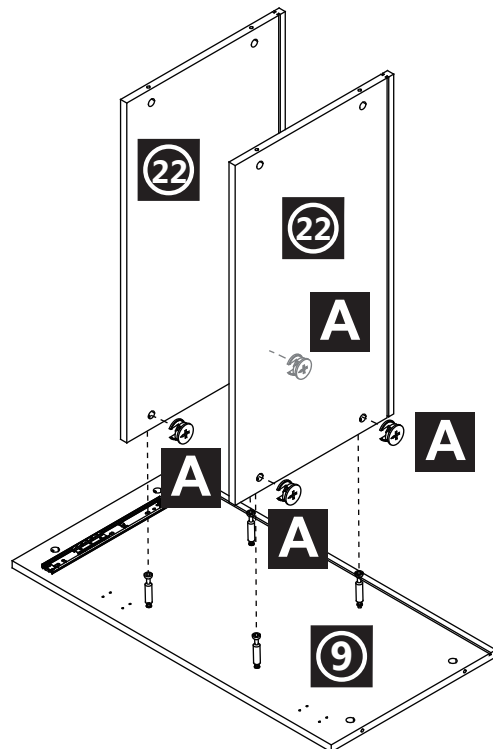
Press and hold the drawer runner lock and then continue to slide drawer runners apart, as shown.

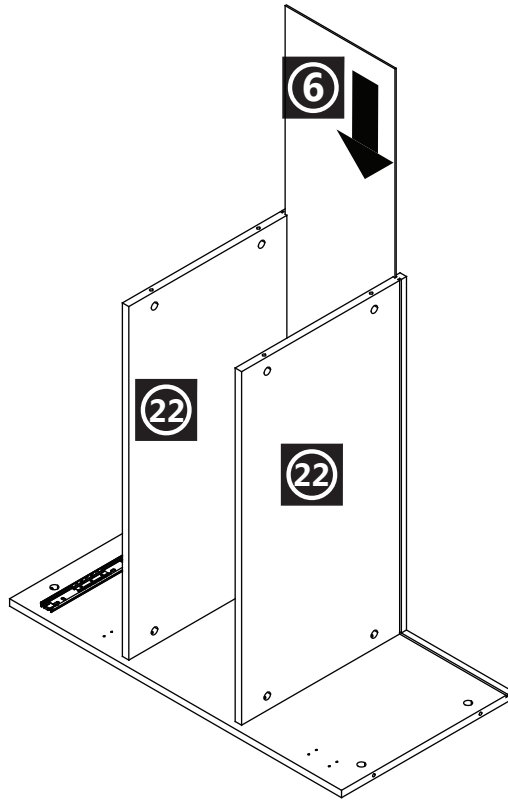
Your inner and outer drawer runners are ready to be fixed to panels.

- B** x 8
- I** x 2
- L** x 4

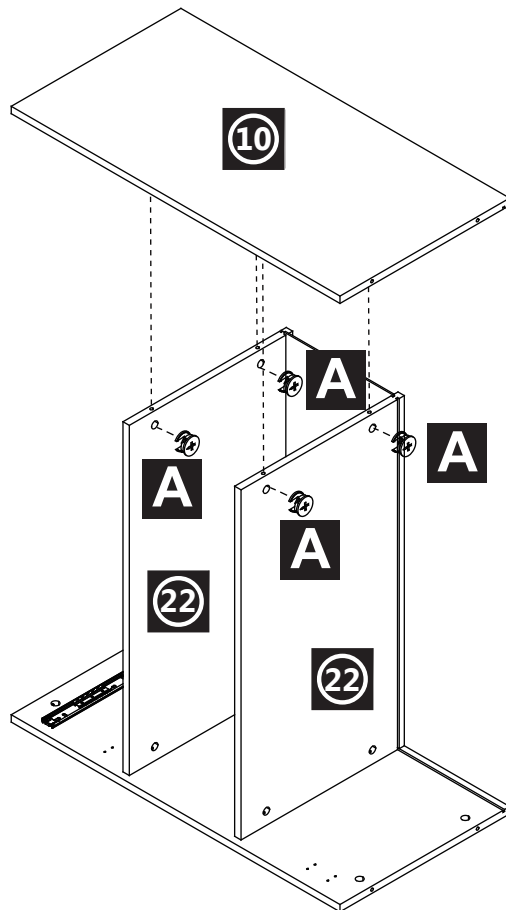


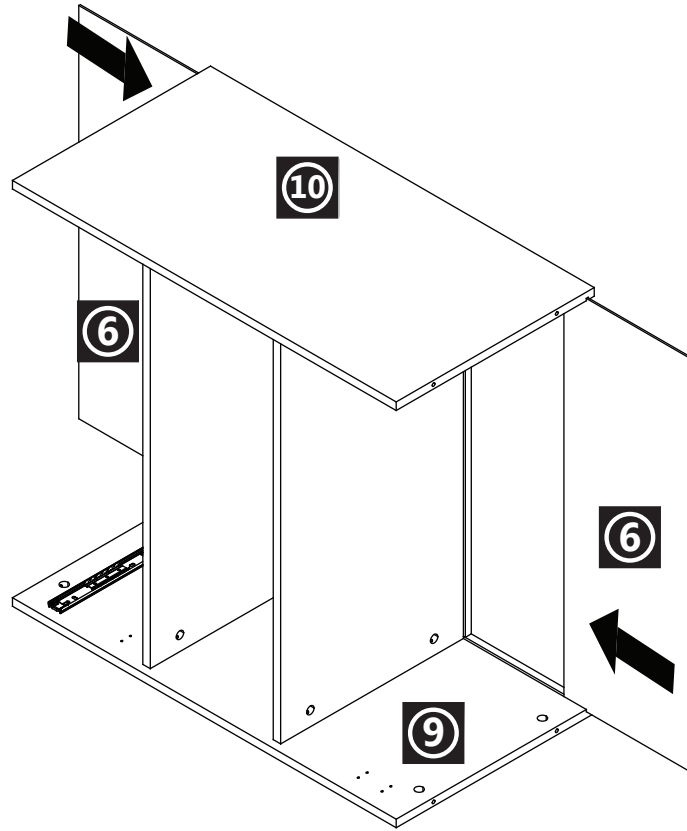
- A** x 4





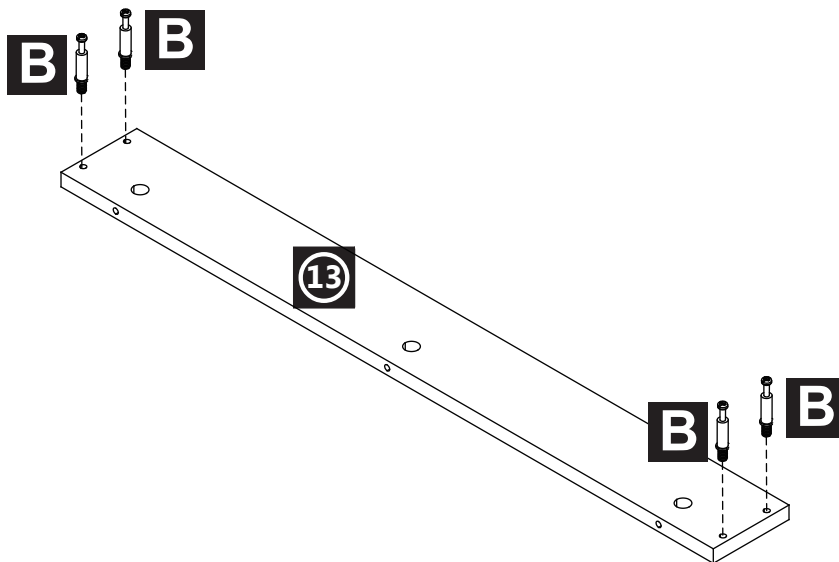
A x 4





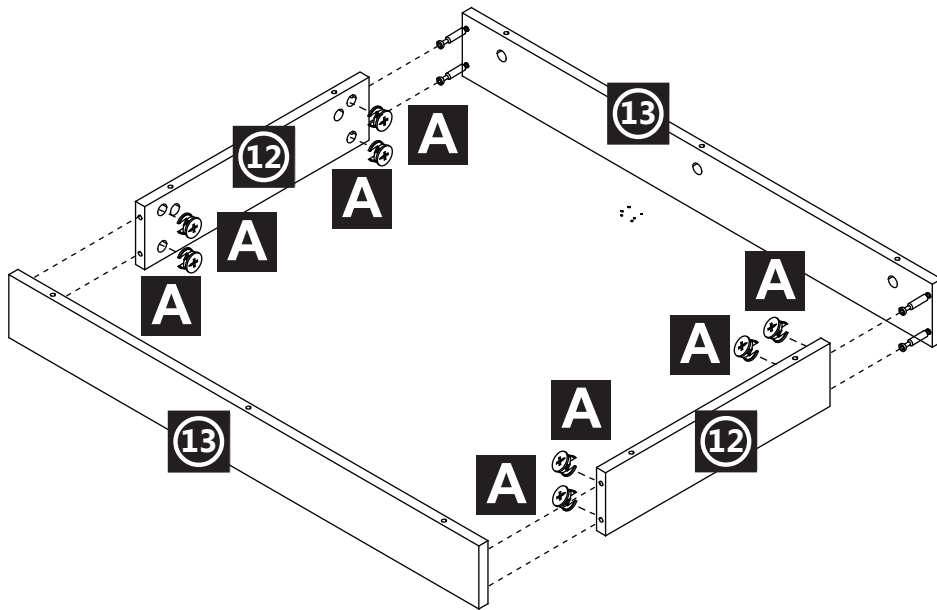
B x 8

x2



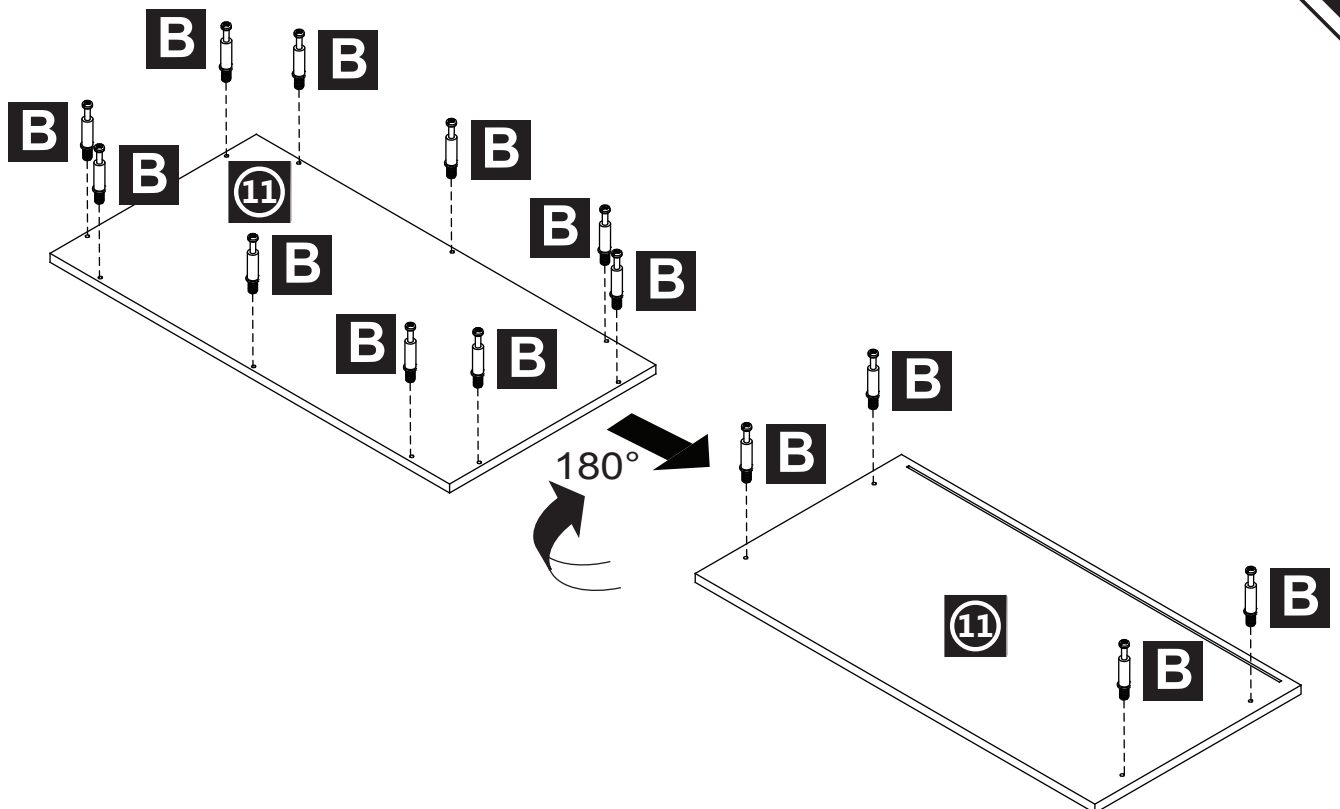
A x 8

07

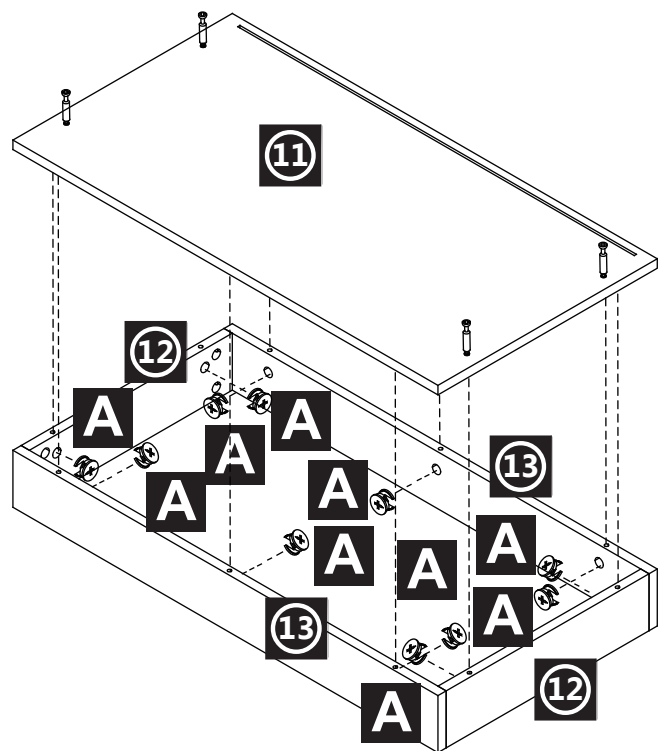


B x 14

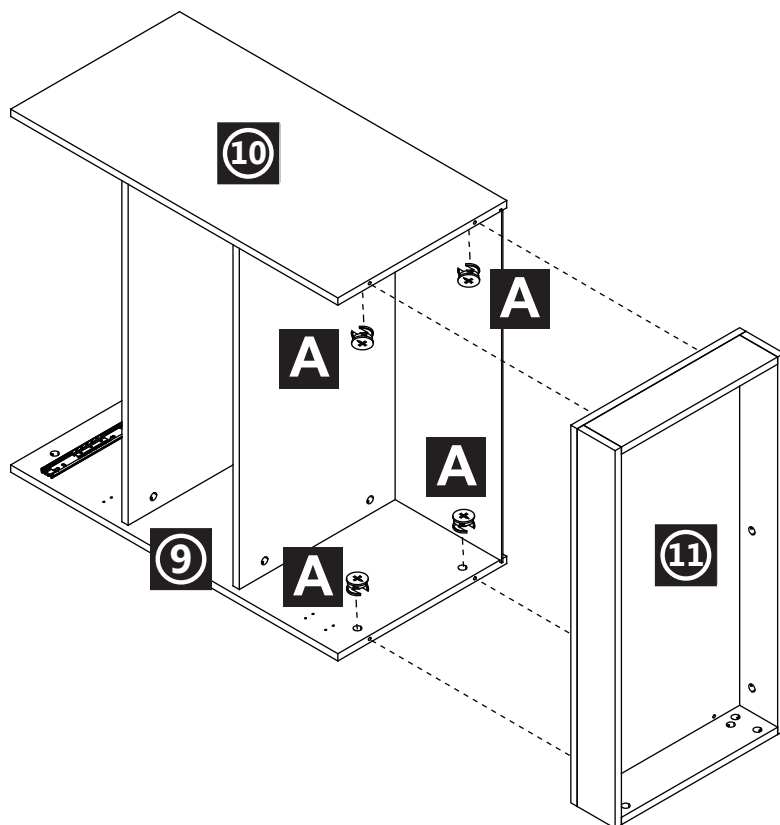
08



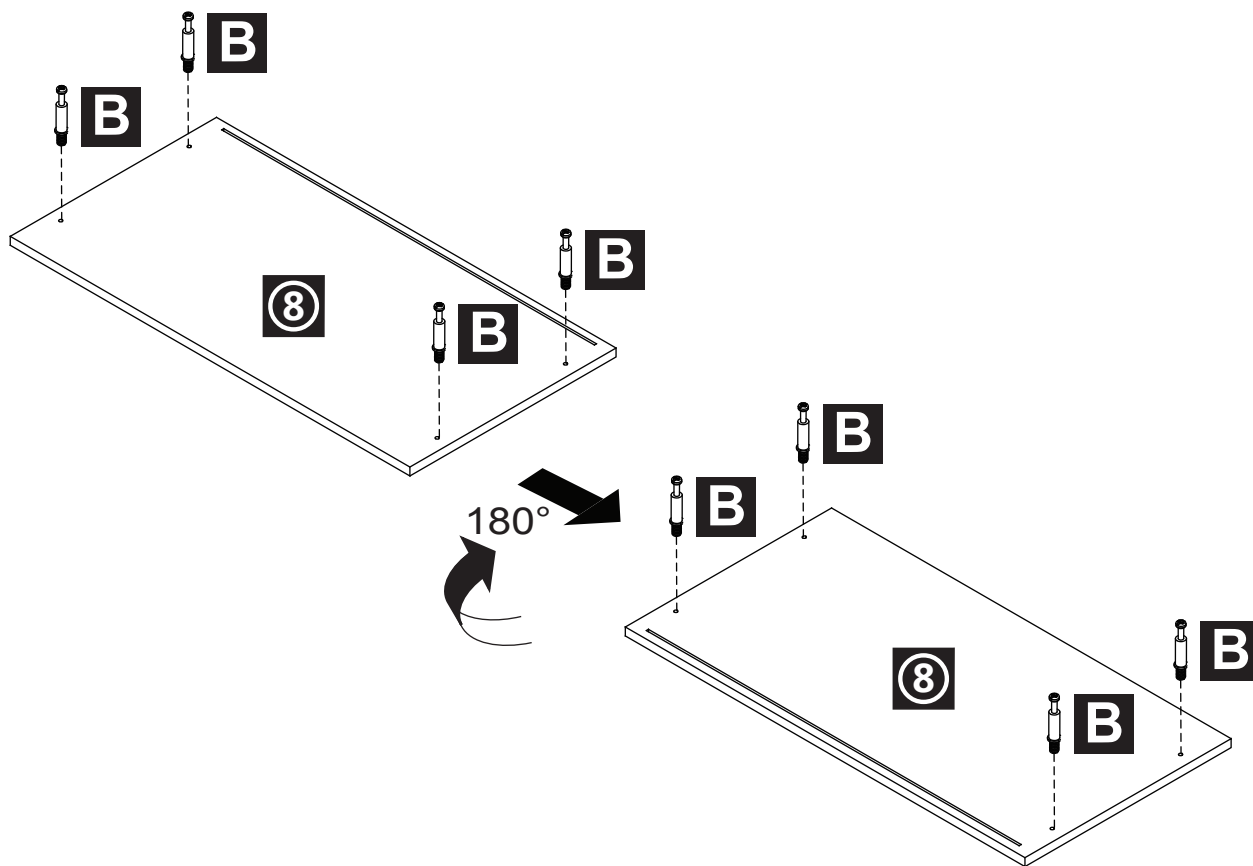
A x10



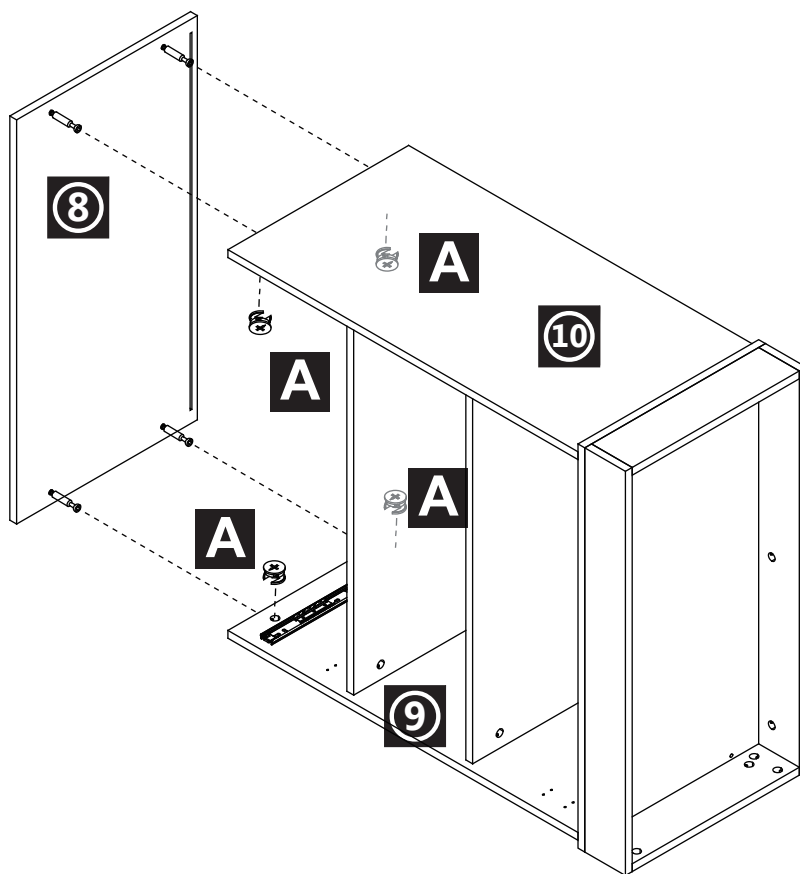
A x 4



B x 8

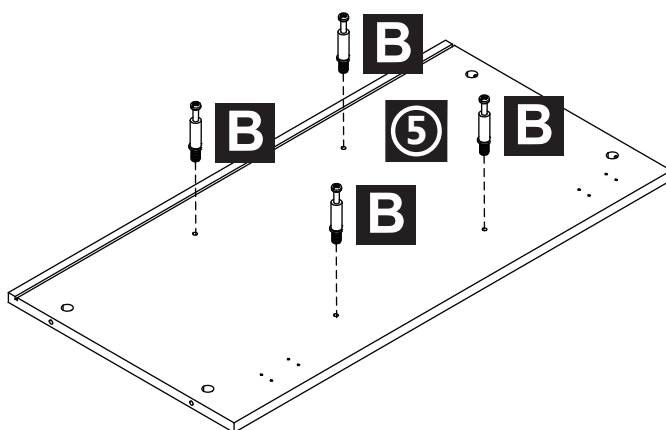


A x 4

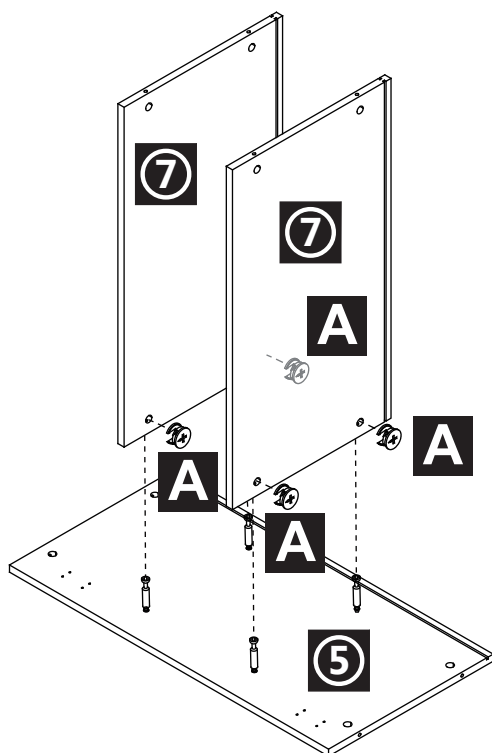


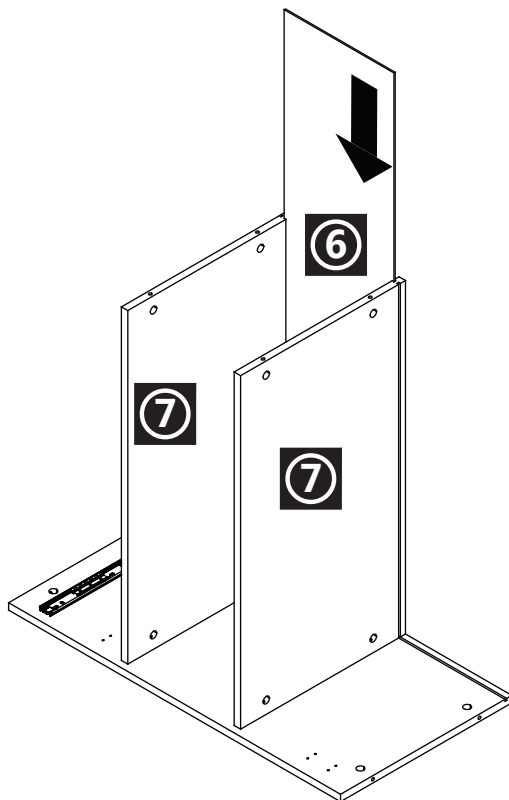
x2

B x 8

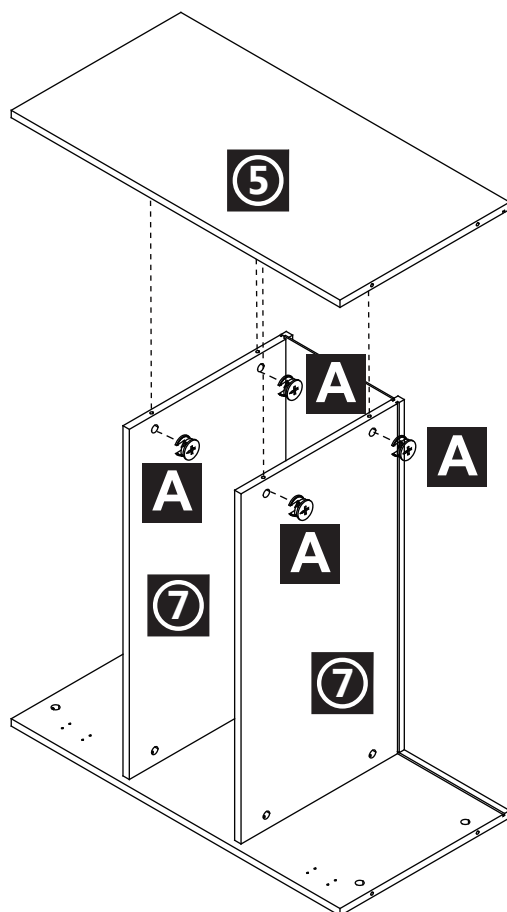


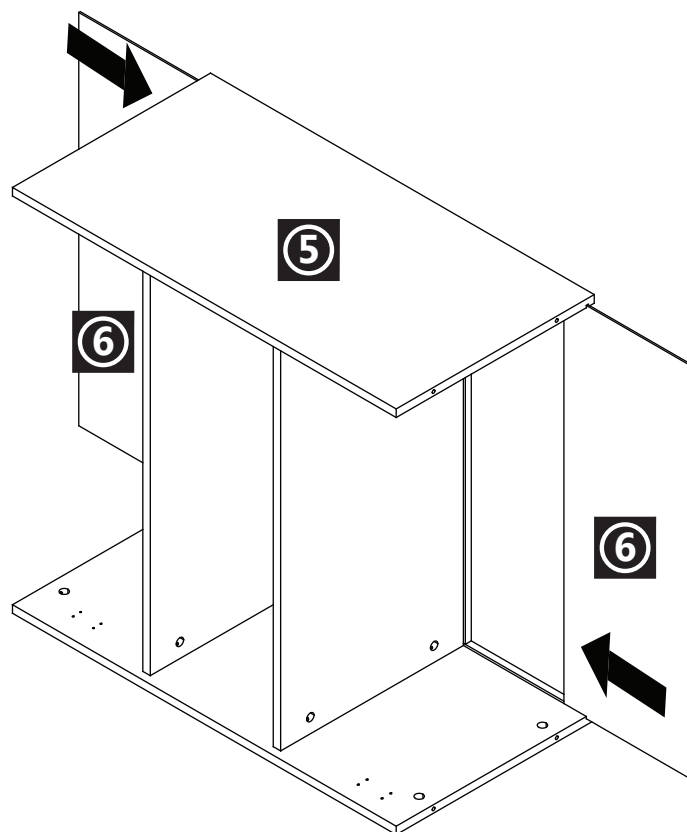
A x 4



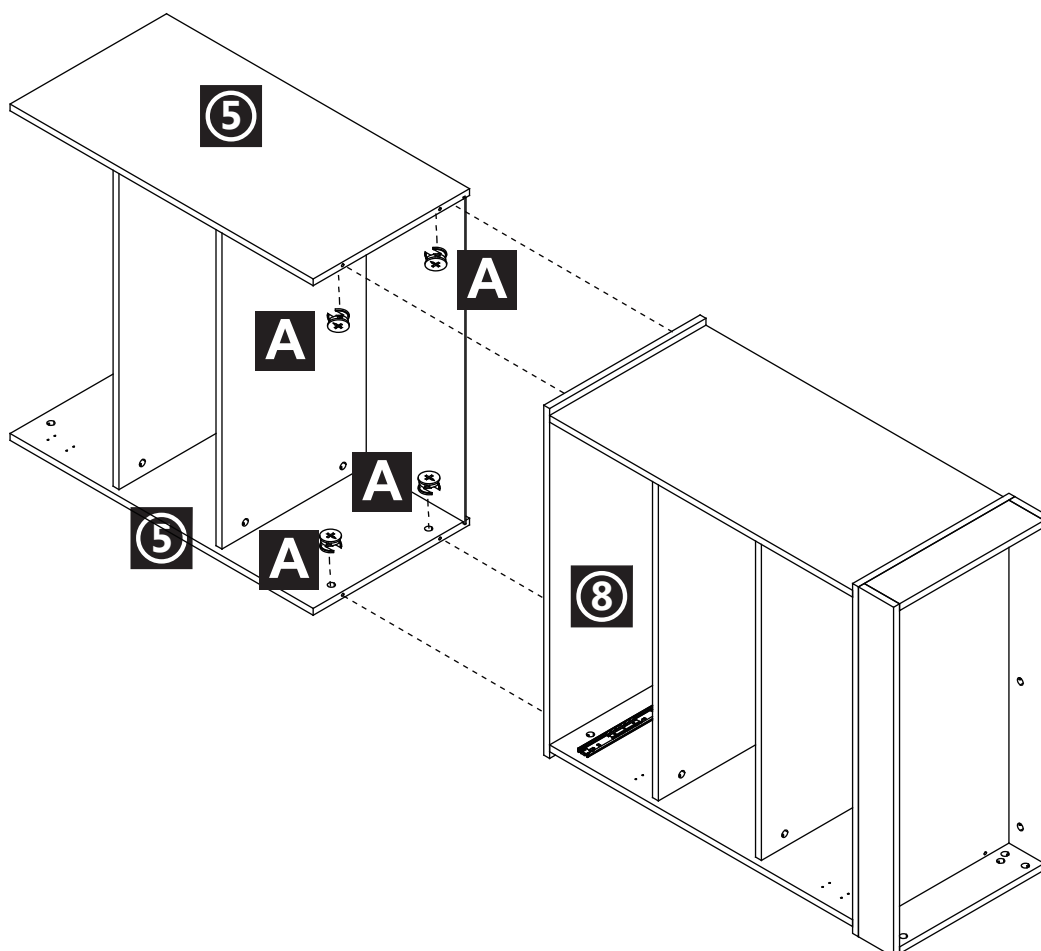


A x 4

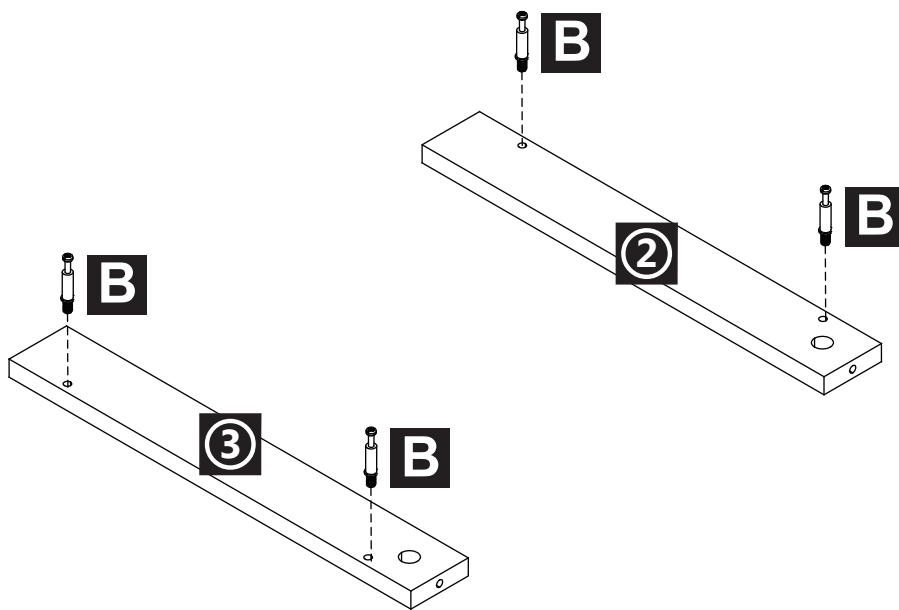




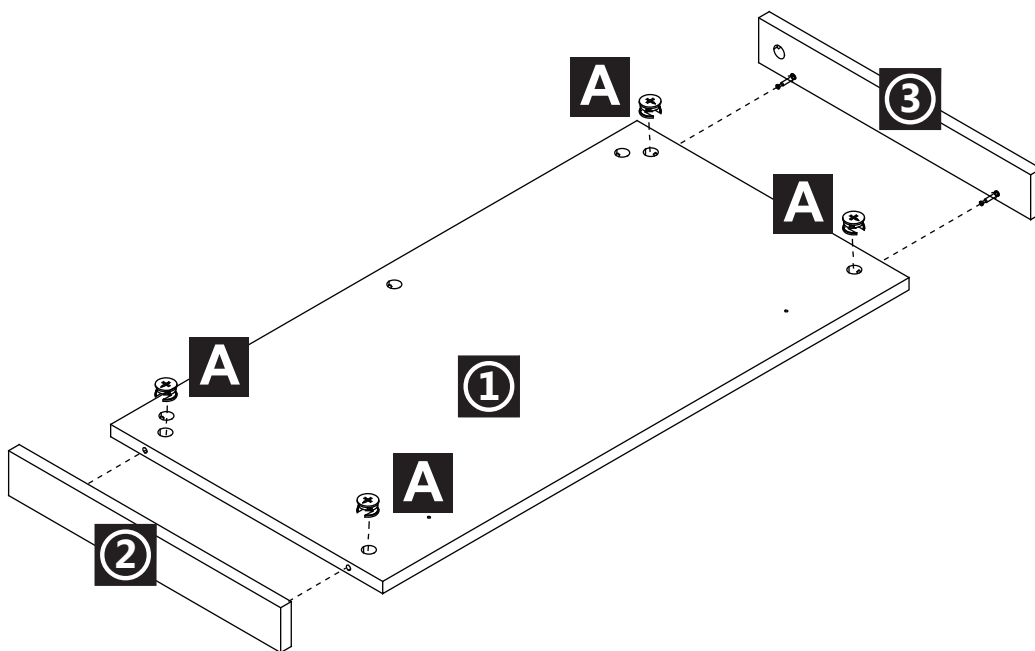
A x 4



B x 4

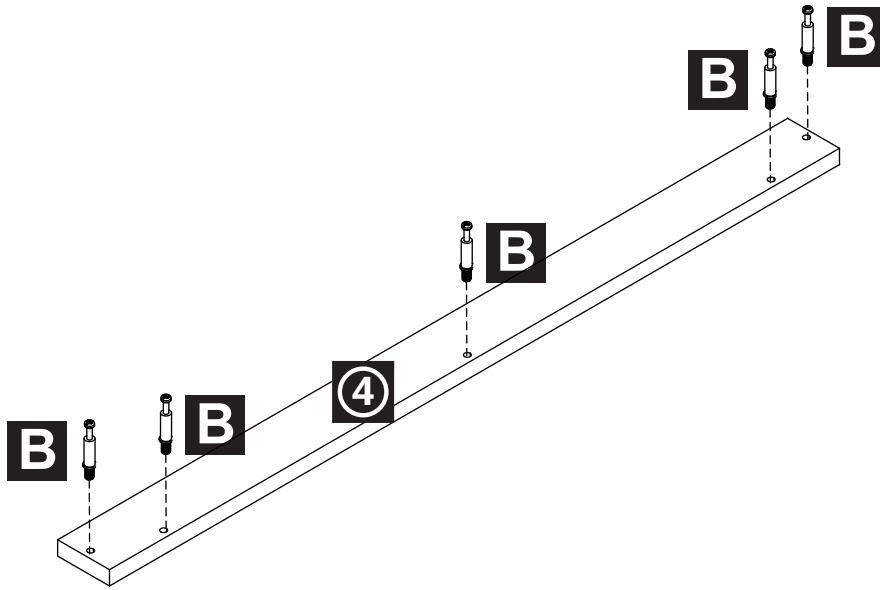


A x 4



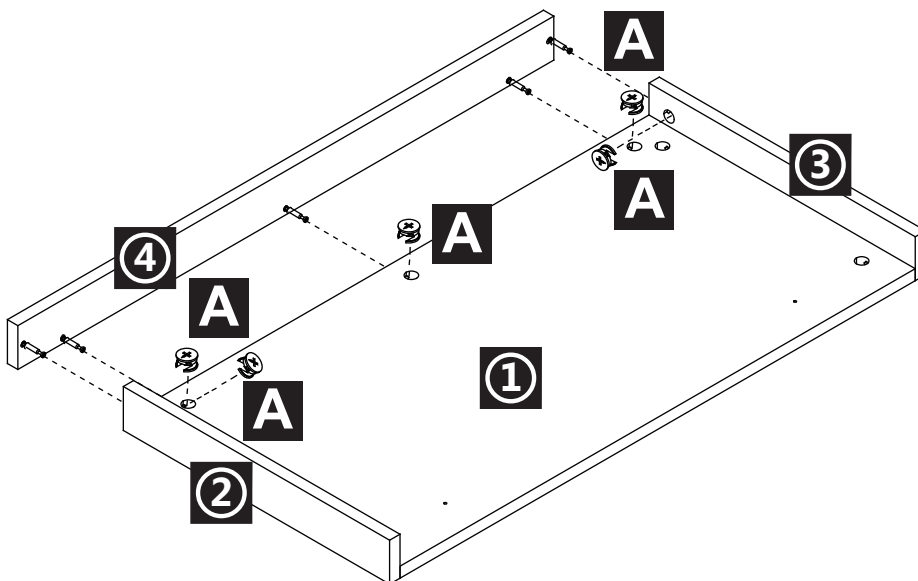
B x 5

21

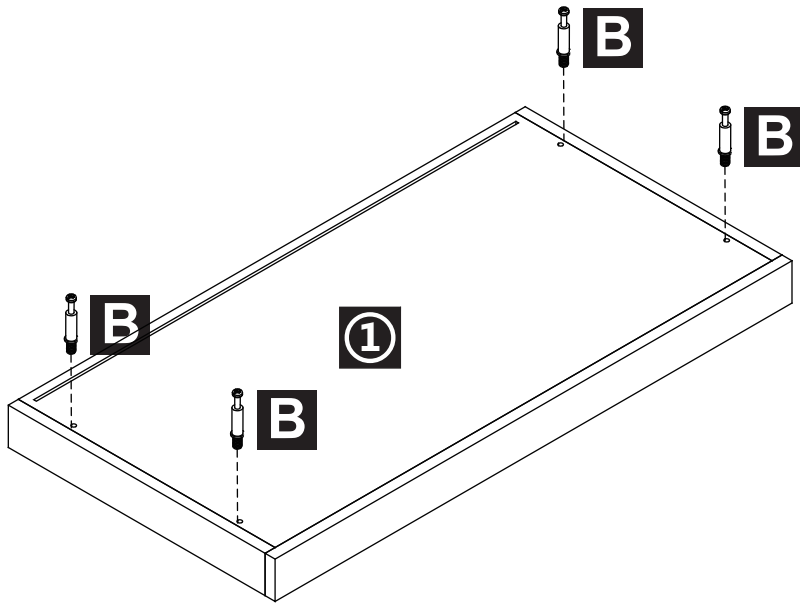


A x 5

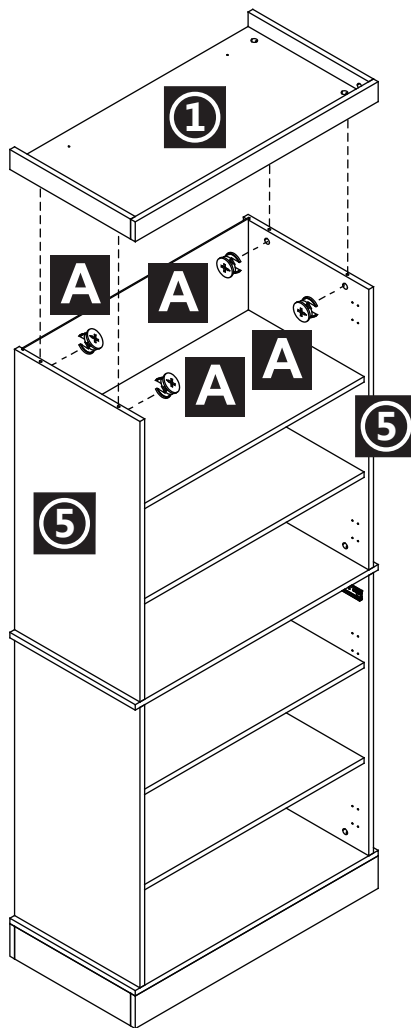
22



B x 4

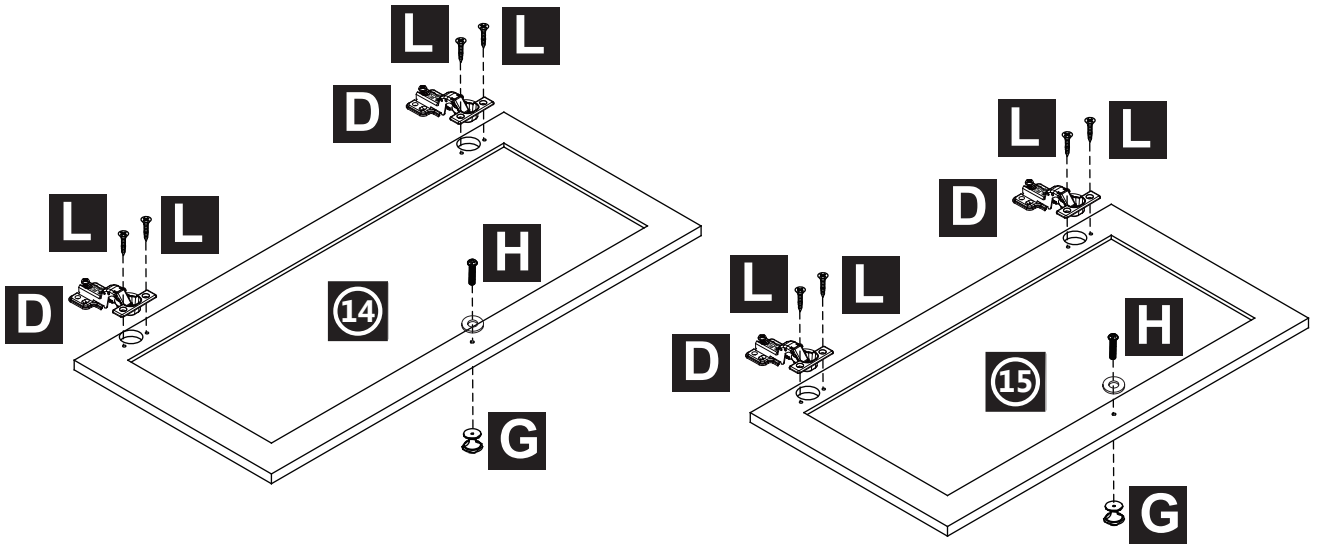


A x 4

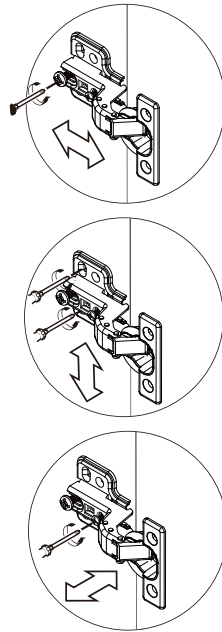
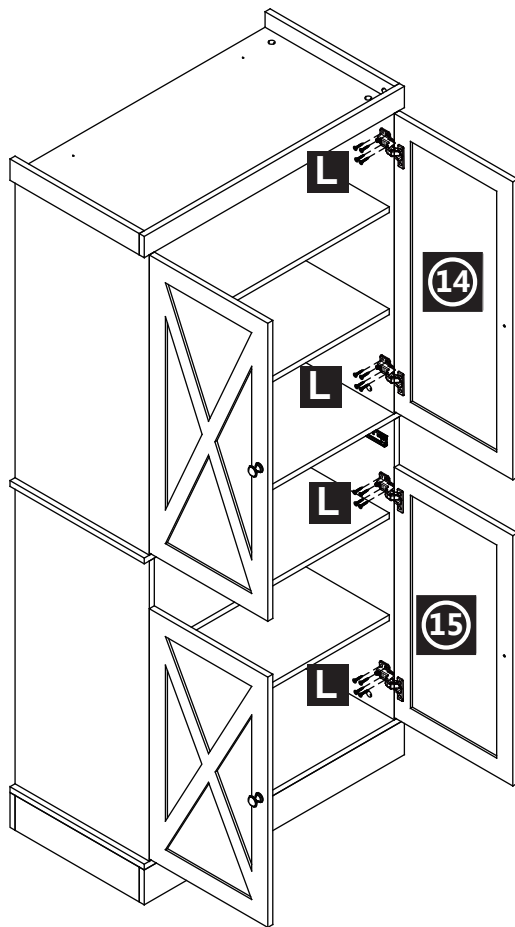


- D** x 8
- G** x 4
- H** x 4
- L** x 16

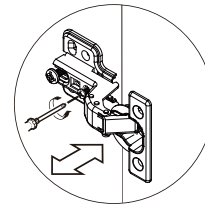
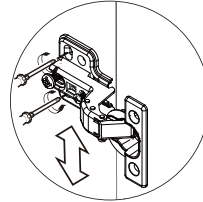
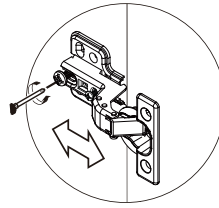
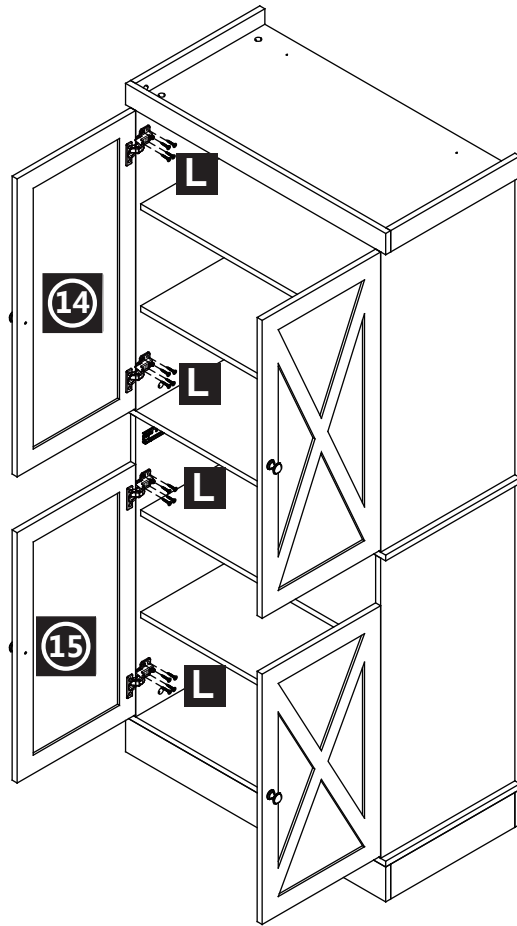
x2



- L** x 16

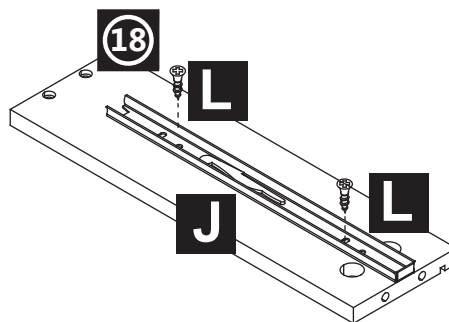
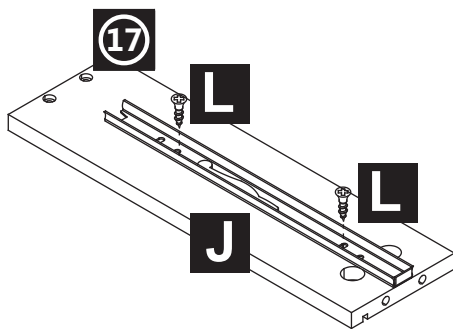
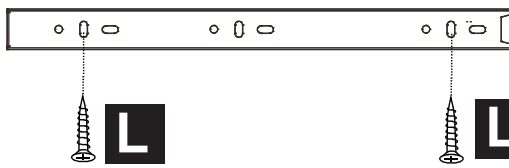


L x 16

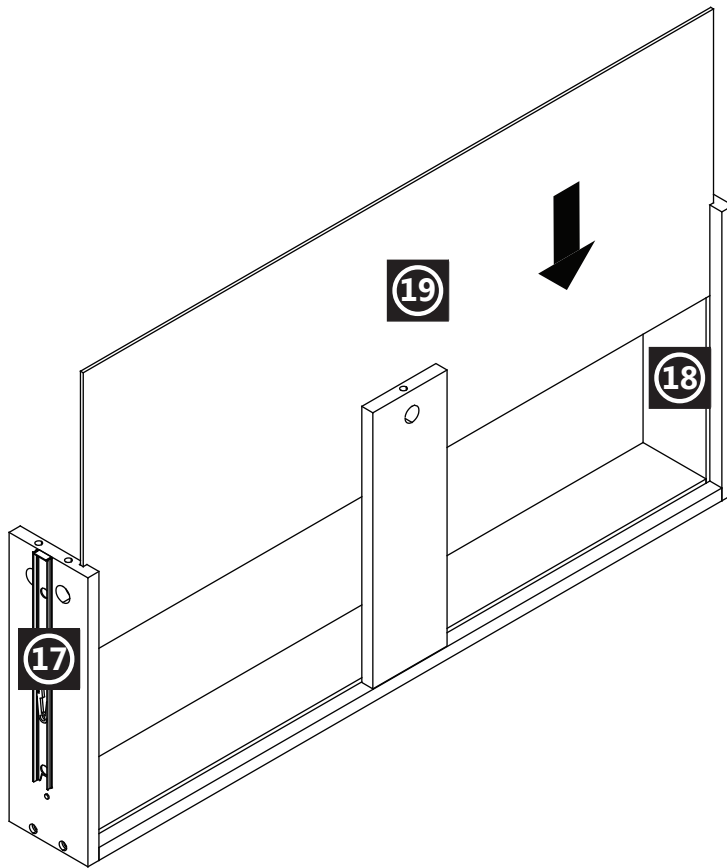
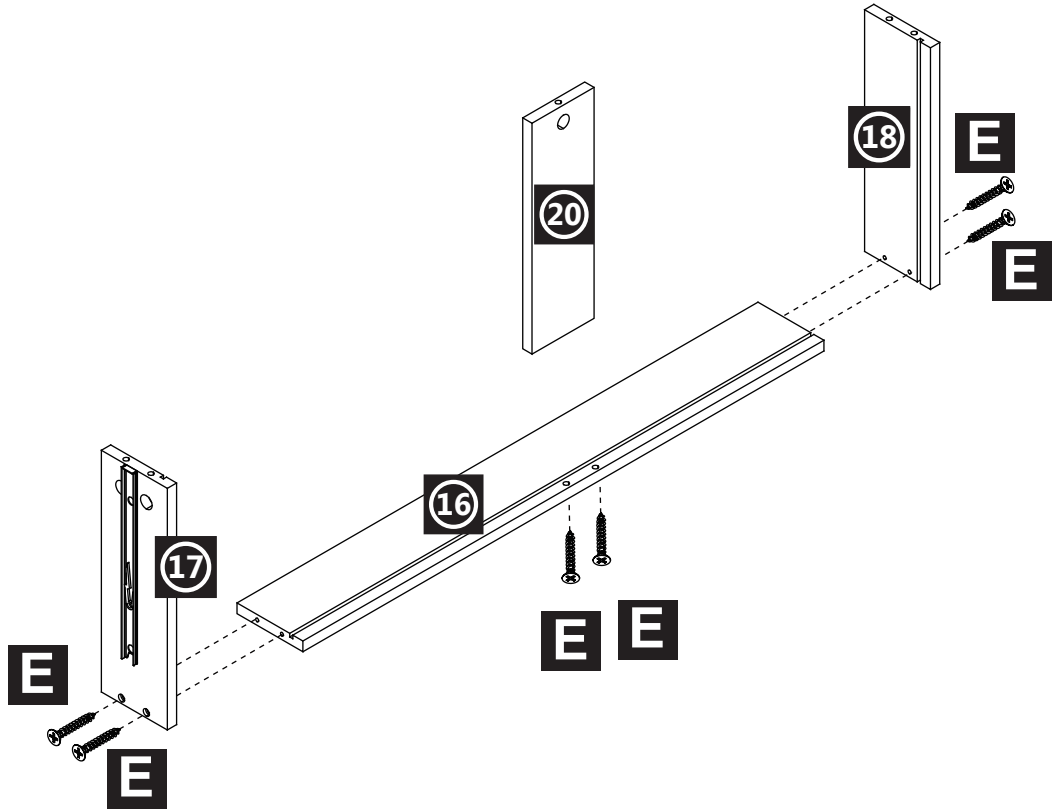


J x 2

L x 4



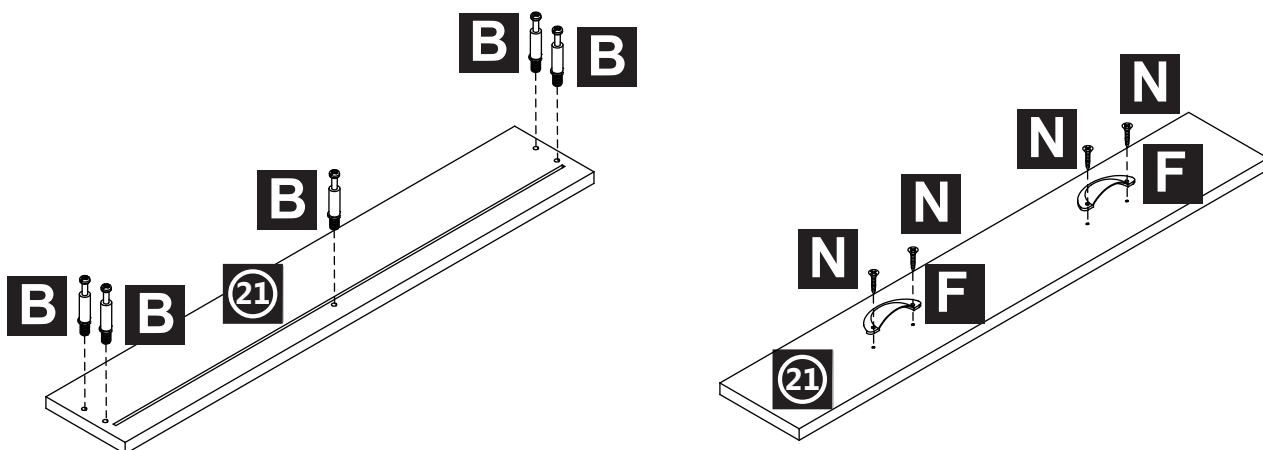
E x 6



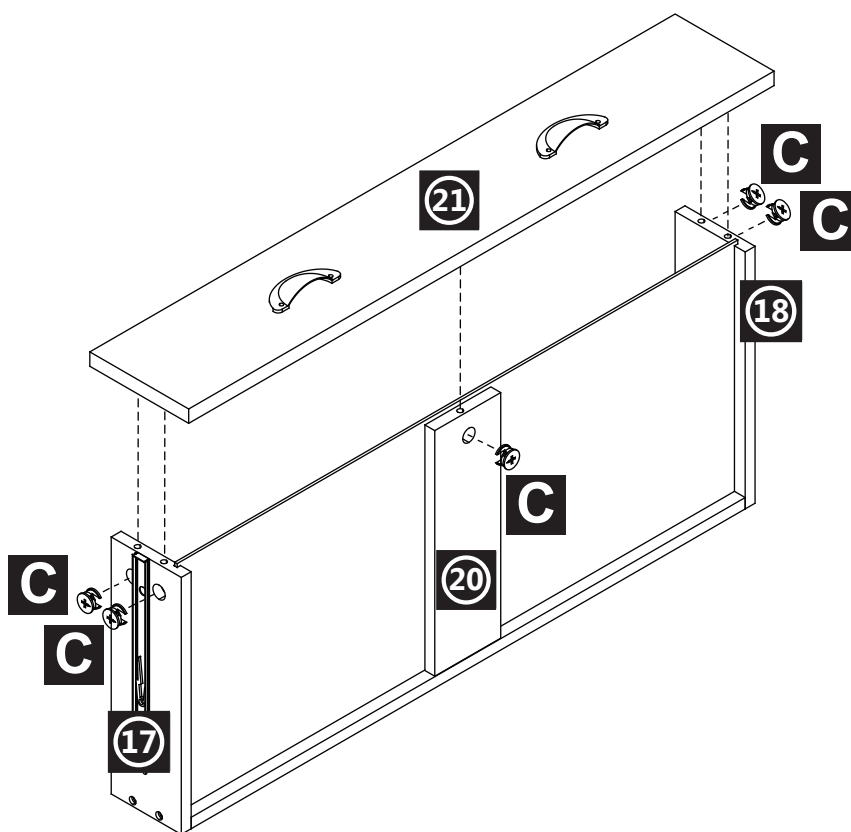
B x 5

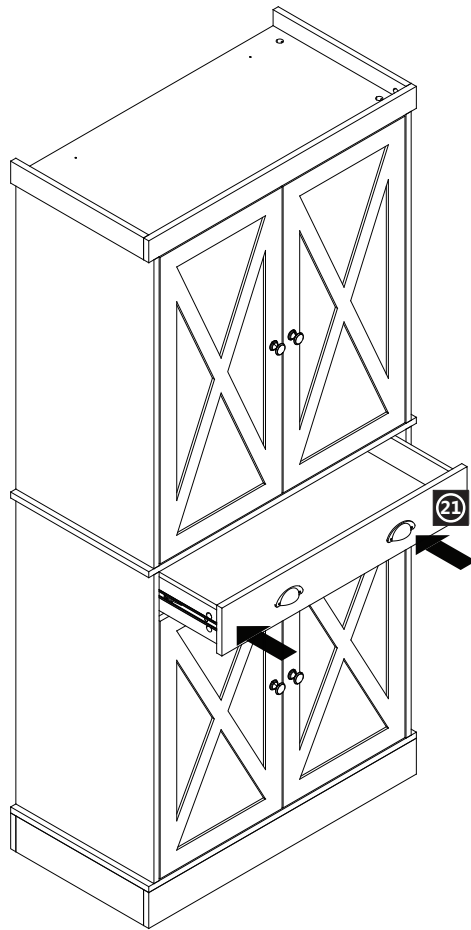
N x 4

F x 2

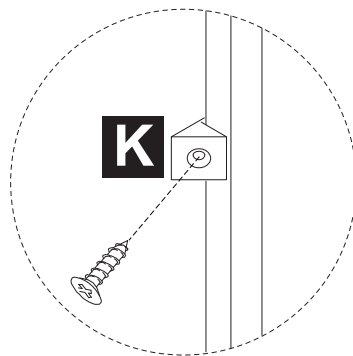
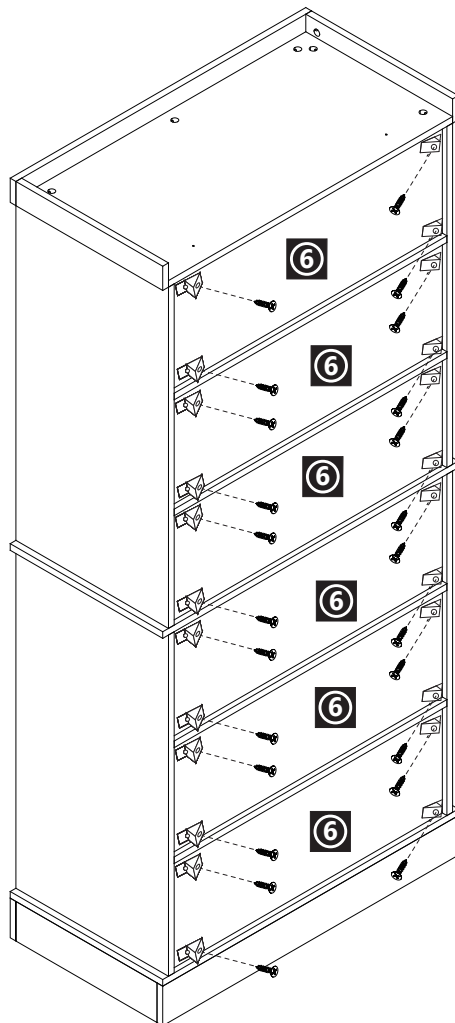


C x 5





K x24



M x 2

Done

