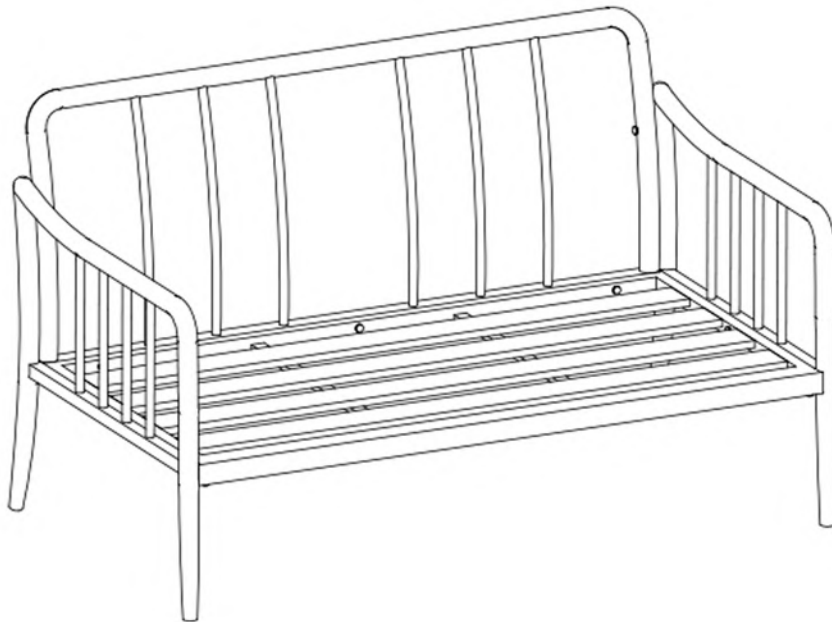


# Loveseat

## ASSEMBLY INSTRUCTIONS







OE04-9045S







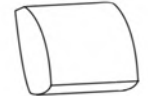

### BEFORE ASSEMBLY:

- Please read these instructions carefully before starting assembly. We suggest you carry out the assembly on a soft surface like a carpet, so as to avoid scratching the paint. Keep children away during assembly. This item contains small parts which can be swallowed by children.
- This product was made for the explicit purpose of providing outdoor function and is not to be used as a toy. This product is for residential use only. This product is NOT intended for commercial use; unintended use will void the warranty.
- This product is not intended for use during inclement or severe weather, that includes but is not limited to rain, hail, sleet, snow, wind, freezing conditions and extreme heat.
- Please note because of the nature of cast metal, you may find roughness on the surface which enhances the beauty of the product and is not a defect.
- Aluminum is soft metal, please do not use power tools, and over tighten may strip threads or break the parts.
- When not in use, store and/or cover the product in a cool dry location. Do not locate the product near any sort of high heat. Do not use the product as a support.
- Children under the age of 10, who are near the product, should be supervised by a competent adult at all times.
- Do not discard any of packaging until you finish the assembly. Keep the assembly instructions for future reference or warranty.

#### Hardware parts for each

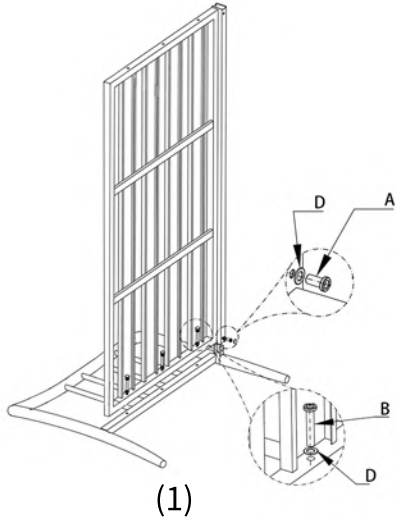
A × 2  Bolt(15MM)	B × 9  Bolt(40MM)	C × 2  Bolt(55MM)	D × 13  Washer
E × 13  Bolt Cap	F × 1  Allen Wrench		

#### Parts list

I × 1  Right Chair Arm	J × 1  Left Chair Arm	G × 1  Seat	H × 1  Back Panel
K × 2  Back Cushion	L × 2  Seat Cushion		

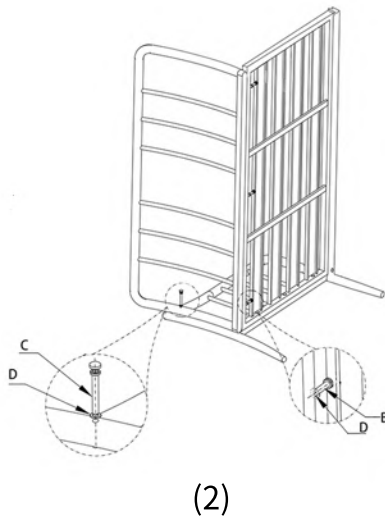
# 1

**Step 1:** Place the **Right Chair Arm(I)** horizontally on a clean and soft surface, connect the seat to the **Right Chair Arm(I)** vertically and install hardware parts **(D,B)** and **(D,A)** in order displayed as Fig(1) use **Allen Wrench(F)**.



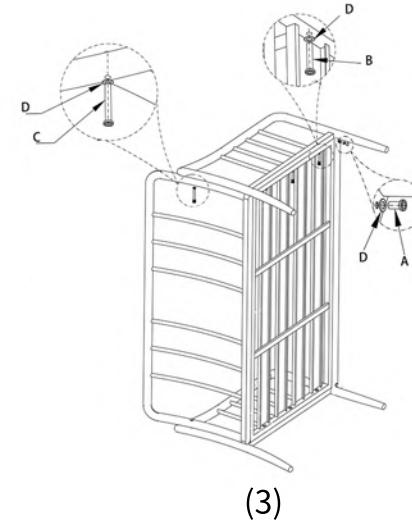
# 2

**Step 2:** Connect **Back Panel(H)** to **Seat(G)** and **Right Chair Arm(I)**, install hardware part **(D,C)** and **(D,B)** in the order displayed as Fig(2) use **Allen Wrench(F)**.



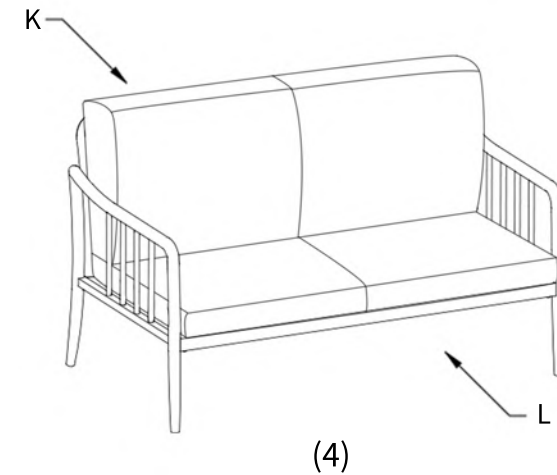
# 3

**Step 3:** Place the **Left Chair Arm(J)** horizontally on the top, and connect the **Seat(G)** and **Back Panel(H)** in turn. Install hardware part **(D,C)**, **(D,A)** and **(D,B)** in the order displayed as Fig(3) use **Allen Wrench(F)**.



# 4

**Step 4:** After making sure installation is complete, tighten all screws and install **Bolt Caps(E)**. After assembly, tie the **Seat Cushion(L)** and **Back Cushion(K)**. Your chair should be ready to use.



# Oval Coffee Table

## ASSEMBLY INSTRUCTIONS



OE04-9045T



### BEFORE ASSEMBLY:

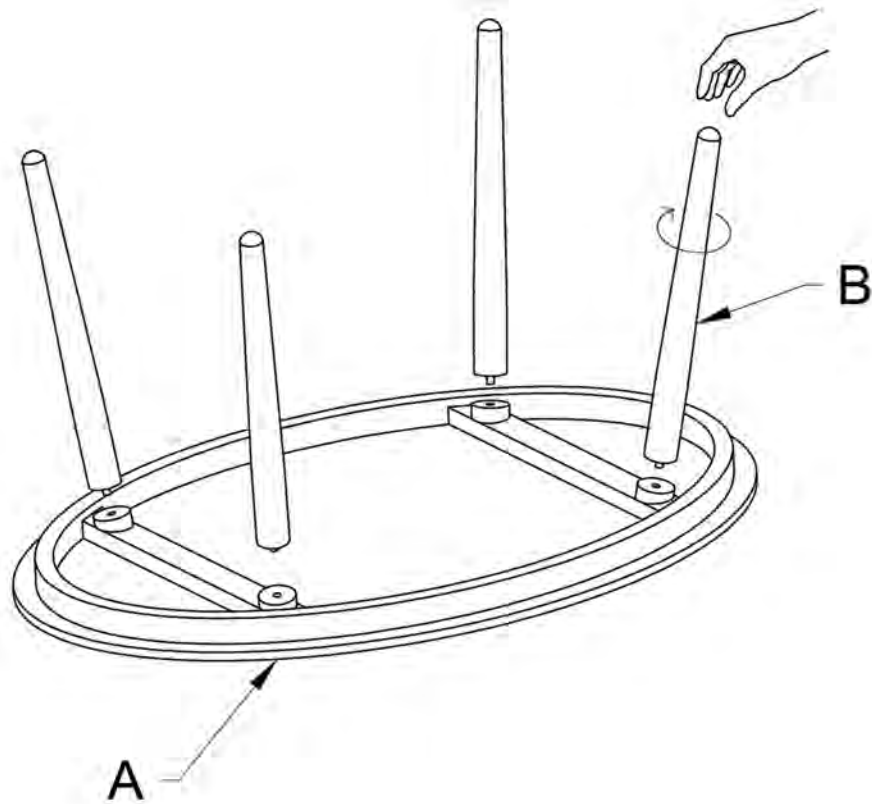
- Please read these instructions carefully before starting assembly. We suggest you carry out the assembly on a soft surface like a carpet, so as to avoid scratching the paint. Keep children away during assembly. This item contains small parts which can be swallowed by children.
- This product was made for the explicit purpose of providing outdoor function and is not to be used as a toy. This product is for residential use only. This product is NOT intended for commercial use; unintended use will void the warranty.
- This product is not intended for use during inclement or severe weather, that includes but is not limited to rain, hail, sleet, snow, wind, freezing conditions and extreme heat.
- Please note because of the nature of cast metal, you may find roughness on the surface which enhances the beauty of the product and is not a defect.
- Aluminum is soft metal, please do not use power tools, and over tighten may strip threads or break the parts.
- When not in use, store and/or cover the product in a cool dry location. Do not locate the product near any sort of high heat. Do not use the product as a support.
- Children under the age of 10, who are near the product, should be supervised by a competent adult at all times.
- Do not discard any of packaging until you finish the assembly. Keep the assembly instructions for future reference or warranty.

### Parts list

A × 1	B × 4		
			
Table Top	Table Leg		

# 1

**Step 1:** Place all the parts on a clean and soft surface, identify all the parts and hardware kits against parts list. ;Assemble **Table Top(A)** and **Table Leg(B)** .Turn the **Table Top(A)** upside down on a soft blanket.And make sure the clockwise rotation of **Table Leg(B)** is correct as Fig(1).



(1)

# 2

**Step 2:** Rotate all the **Table Legs(B)** clockwise to the **Table Top(A)** with hand. Do not over tighten , it will cause the damage of product without warranty. If your table is not stable, double check your assembly procedure. If all is good,your table should be ready for use.



(2)