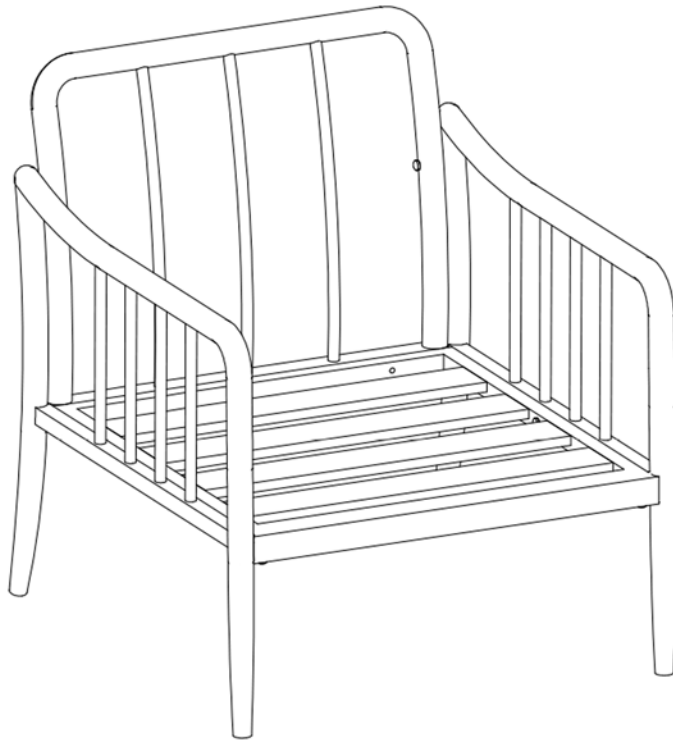


Club Chair

ASSEMBLY INSTRUCTIONS

OE04-9045



BEFORE ASSEMBLY:

- Please read these instructions carefully before starting assembly. We suggest you carry out the assembly on a soft surface like a carpet, so as to avoid scratching the paint. Keep children away during assembly. This item contains small parts which can be swallowed by children.
- This product was made for the explicit purpose of providing outdoor function and is not to be used as a toy. This product is for residential use only. This product is NOT intended for commercial use; unintended use will void the warranty.
- This product is not intended for use during inclement or severe weather, that includes but is not limited to rain, hail, sleet, snow, wind, freezing conditions and extreme heat.
- Please note because of the nature of cast metal, you may find roughness on the surface which enhances the beauty of the product and is not a defect.
- Aluminum is soft metal, please do not use power tools, and over tighten may strip threads or break the parts.
- When not in use, store and/or cover the product in a cool dry location. Do not locate the product near any sort of high heat. Do not use the product as a support.
- Children under the age of 10, who are near the product, should be supervised by a competent adult at all times.
- Do not discard any of packaging until you finish the assembly. Keep the assembly instructions for future reference or warranty.

Hardware parts for each

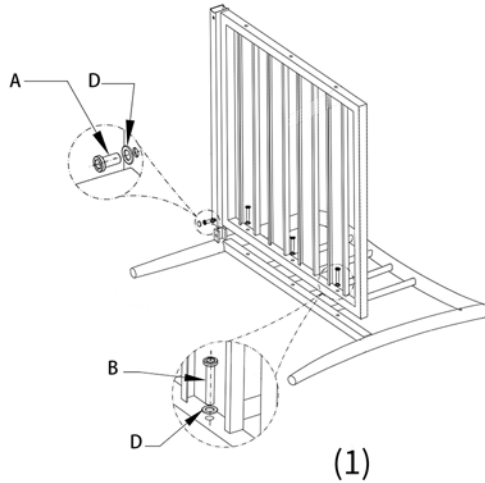
A × 2 Bolt(15MM)	B × 8 Bolt(40MM)	C × 2 Bolt(55MM)	D × 12 Washer
E × 12 Bolt Cap	F × 1 Allen Wrench		

Parts list

I × 1 Right Chair Arm	J × 1 Left Chair Arm	G × 1 Seat	H × 1 Back Panel
K × 1 Back Cushion	L × 1 Seat Cushion		

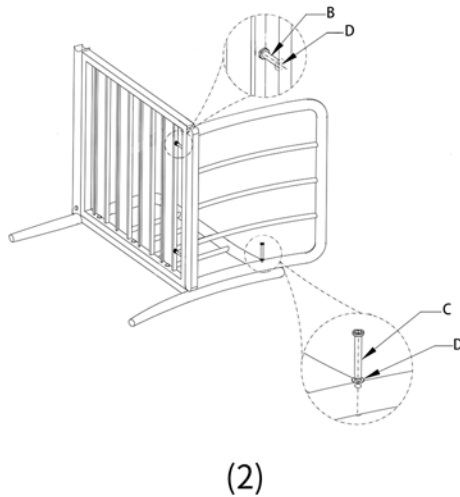
1

Step 1: Place the **Right Chair Arm(I)** horizontally on a clean and soft surface, connect the seat to the **Right Chair Arm(I)** vertically and install hardware parts **(D,B)** and **(D,A)** in order displayed as Fig(1) use **Allen Wrench(F)**.



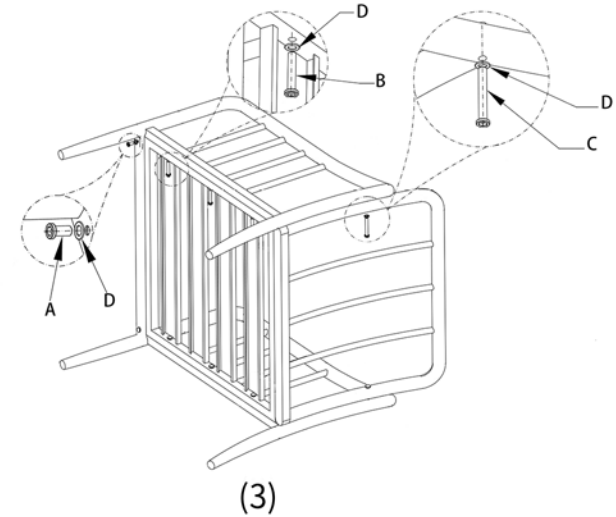
2

Step 2: Connect **Back Panel(H)** to **Seat(G)** and **Right Chair Arm(I)**, install hardware part **(D,C)** and **(D,B)** in the order displayed as Fig(2) use **Allen Wrench(F)**.



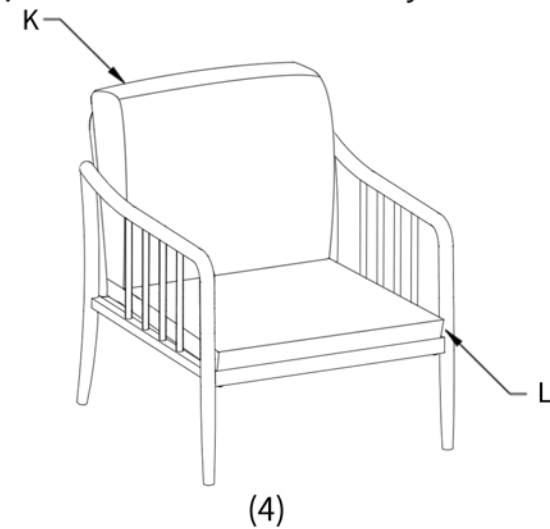
3

Step 3: Place the **Left Chair Arm(J)** horizontally on the top, and connect the **Seat(G)** and **Back Panel(H)** in turn. Install hardware part **(D,C)**, **(D,A)** and **(D,B)** in the order displayed as Fig(3) use **Allen Wrench(F)**.



4

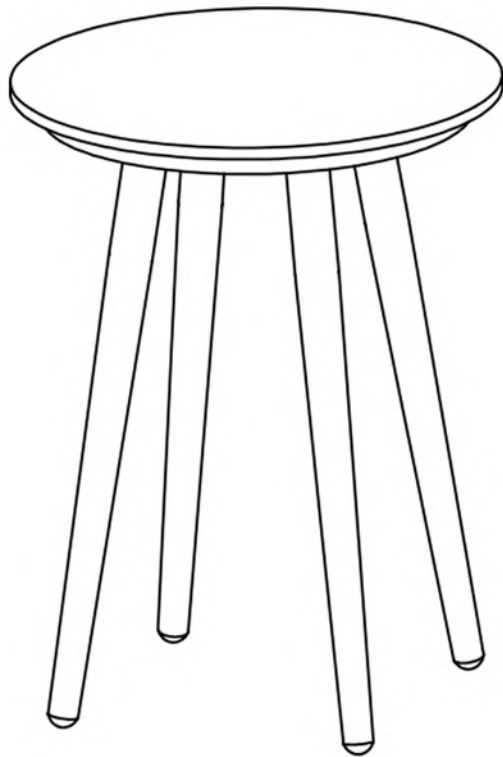
Step 4: After making sure installation is complete, tighten all screws and install **Bolt Caps(E)**. After assembly, tie the **Seat Cushion(L)** and **Back Cushion(k)**. Your chair should be ready to use.



Round Side Table

ASSEMBLY INSTRUCTIONS



OE04-9045ET



BEFORE ASSEMBLY:

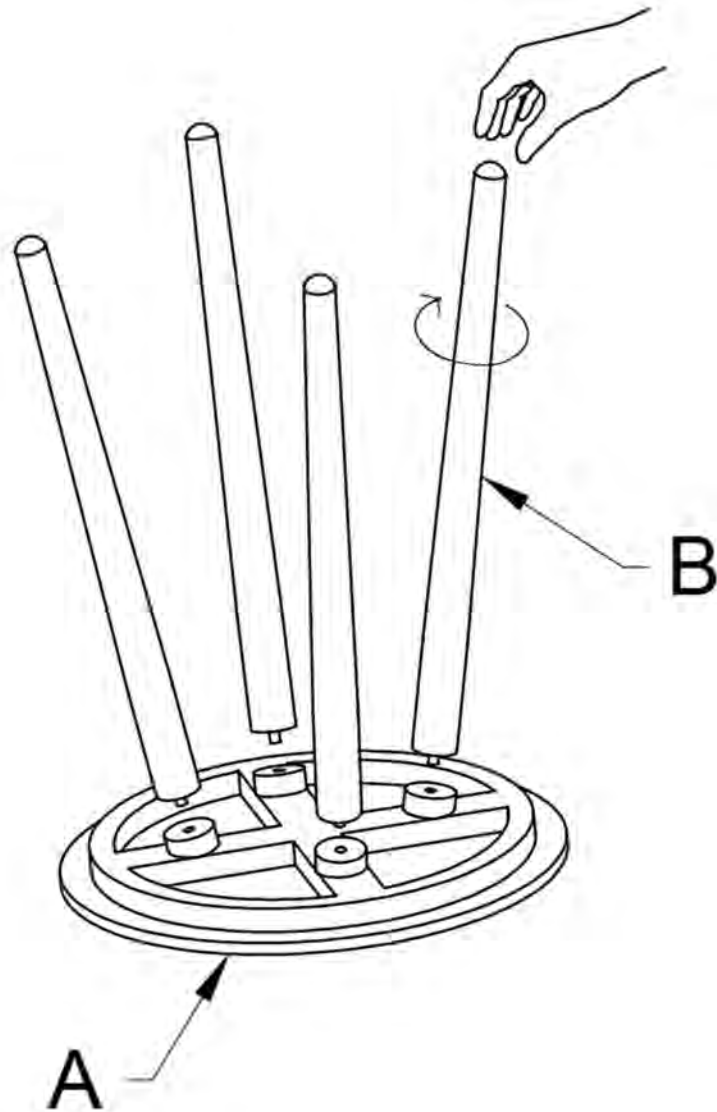
- Please read these instructions carefully before starting assembly. We suggest you carry out the assembly on a soft surface like a carpet, so as to avoid scratching the paint. Keep children away during assembly. This item contains small parts which can be swallowed by children.
- This product was made for the explicit purpose of providing outdoor function and is not to be used as a toy. This product is for residential use only. This product is NOT intended for commercial use; unintended use will void the warranty.
- This product is not intended for use during inclement or severe weather, that includes but is not limited to rain, hail, sleet, snow, wind, freezing conditions and extreme heat.
- Please note because of the nature of cast metal, you may find roughness on the surface which enhances the beauty of the product and is not a defect.
- Aluminum is soft metal, please do not use power tools, and over tighten may strip threads or break the parts.
- When not in use, store and/or cover the product in a cool dry location. Do not locate the product near any sort of high heat. Do not use the product as a support.
- Children under the age of 10, who are near the product, should be supervised by a competent adult at all times.
- Do not discard any of packaging until you finish the assembly. Keep the assembly instructions for future reference or warranty.

Parts list

A × 1	B × 4		
			
Table Top	Table Leg		

1

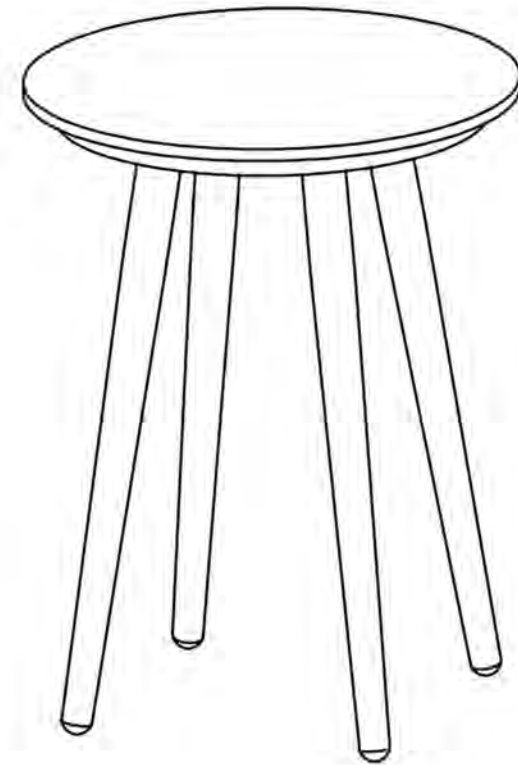
Step 1: Place all the parts on a clean and soft surface, identify all the parts and hardware kits against parts list. Assemble **Table Top(A)** and **Table Leg(B)**. Turn the **Table Top(A)** upside down on a soft blanket. And make sure the clockwise rotation of **Table Leg(B)** is correct as Fig(1).



(1)

2

Step 2: Rotate all the **Table Legs(B)** clockwise to the **Table Top(A)** with hand. Do not over tighten, it will cause the damage of product without warranty. If your table is not stable, double check your assembly procedure. If all is good, your table should be ready for use.



(2)