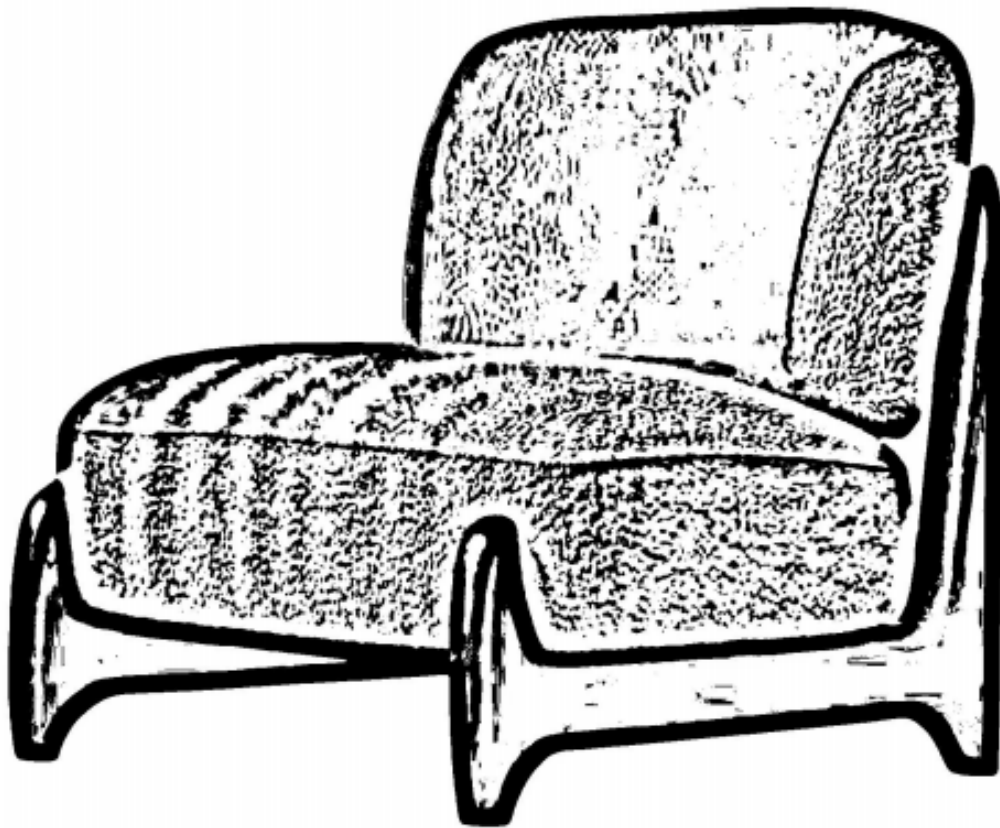


# ASSEMBLY INSTRUCTIONS

## Armless Accent Chair



ITEM: W1885125537-W1885125539



# ASSEMBLY INSTRUCTIONS

ITEM: W1885125537-W1885125539

Description: Armless Accent Chair

Thank you for purchasing this quality product, be sure to check all packing material carefully for small part that may have come loose inside the carton during shipment.



## DO NOT RETURN TO THE STORE!

If parts are missing or damaged, we will gladly ship your replacements parts free of charge.

## CAUTION:

Do not fully tighten bolts/nuts until product fully assembled. Keep all hardware out of reach of children.

## NOTICE

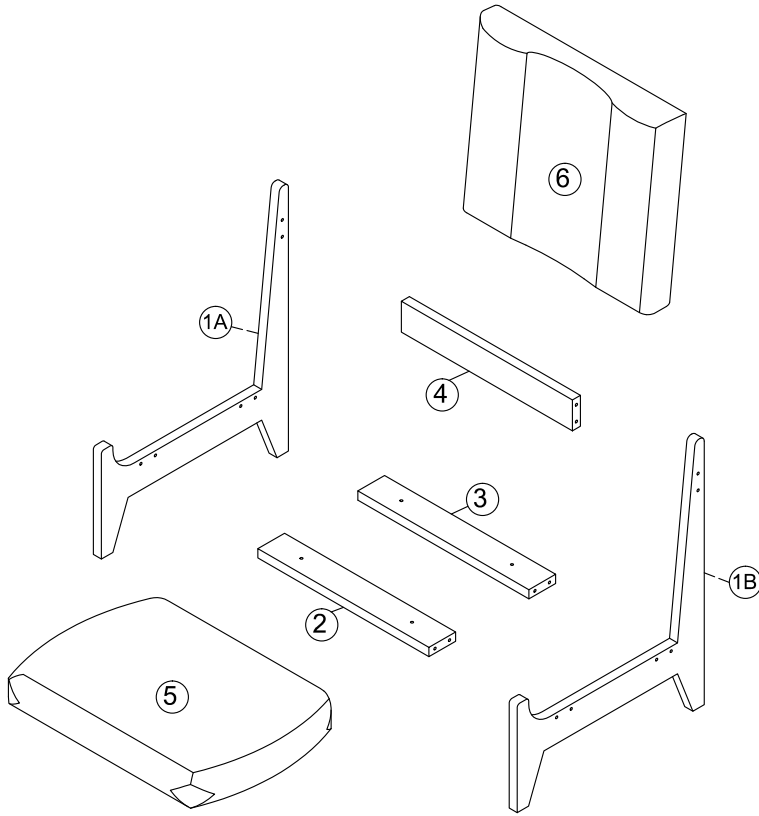
1. Always use proper tools.
2. Follow the assembly steps in order. Do not skip any steps.
3. Periodically check to ensure that all connectors (bolts, screws, etc.) are tight.
4. Keep the instructions for future reference.
5. Check to ensure all "PARTS" and "HARDWARE" quantities, as noted as enclosed prior to commencement of assembly.
6. Place all furniture parts on a clean and flat soft surface to prevent any scratches possible.
7. If you need any assistance with your new item or if you are missing any parts. Please email us your inquiries at: [davrwc325@gmail.com](mailto:davrwc325@gmail.com). We will be happy to assist and walk you through your assembly process.
8. Since the dimensions of our products are manually measured, there may be an error of  $\pm 0.79$  inch between the real product and the measurement data. The measurement data is for reference only.

# ASSEMBLY INSTRUCTIONS

## ITEM: W1885125537-W1885125539

### Description: Armless Accent Chair

Thank you for purchasing this quality product, be sure to check all packing material carefully for small part that may have come loose inside the carton during shipment.



**PART LIST:**

NO.	Description	Sketch	Quantity
1A	Left Frame		1PCS
1B	Right Frame		1PCS
2	Side Rail		1PCS
3	Side Rail		1PCS
4	Side Rail		1PCS
5	Seat Cushion		1PCS
6	Backrest		1PCS

**TOOLS REQUIRED( Provided )**



**Allen wrench**

**HARDWARE LIST:**

NO.	Description	Sketch	Quantity
A	M6*50mm		16PCS
B	Washer		16PCS
C	Screw Cap		16PCS
D	Allen Wrench		1PCS

# ASSEMBLY INSTRUCTONS

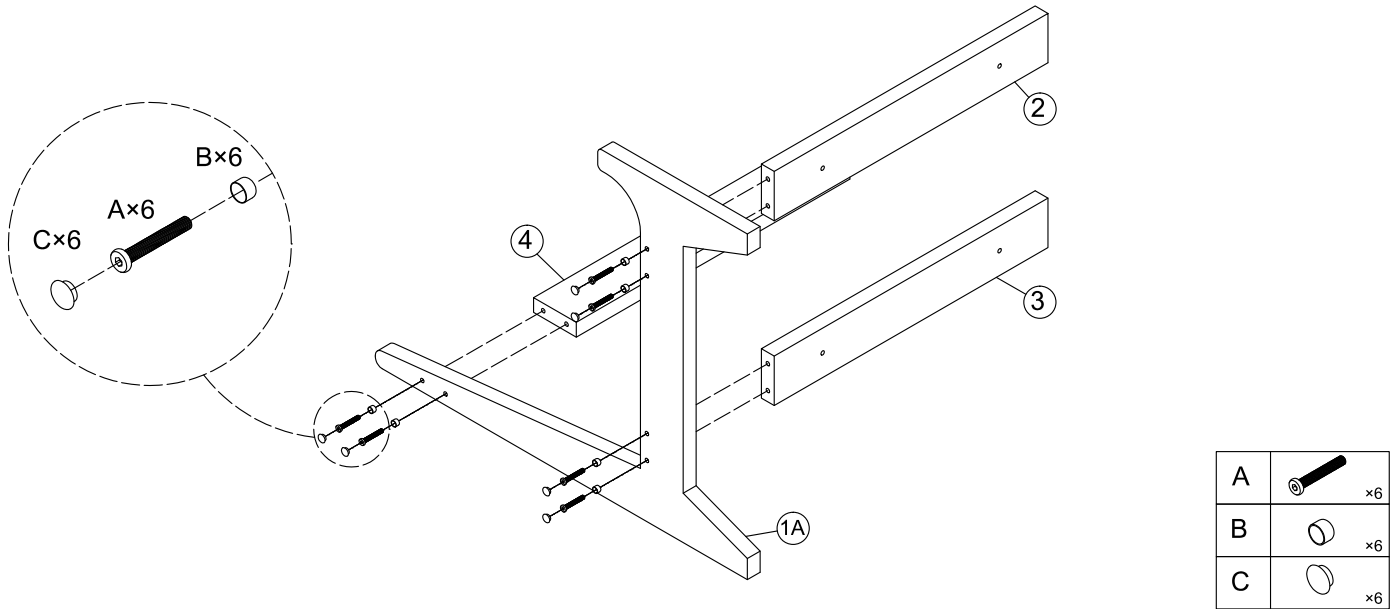
## ITEM: W1885125537-W1885125539

### Description: Armless Accent Chair

Thank you for purchasing this quality product,Be sure to check all packing material carefully for small partthat may have come loose inside the carton during shipment

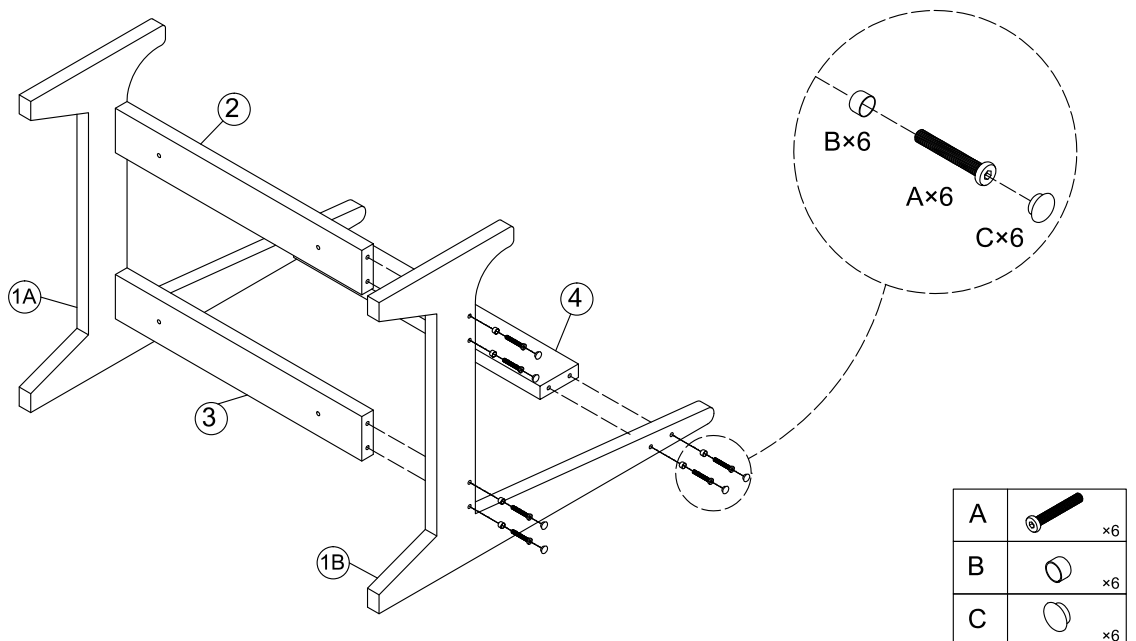
## Step 1

Use Bolts(A), Washer(B) to connect Side Rall(2),Side Rall(3),Side Rall(4) to Left Frame(1A).  
Screw Cap (C) is finally installed on the bolt (A) for decoration.



## Step 2

Use Bolts(A), Washer(B) to connect Side Rall(2),Side Rall(3),Side Rall(4) to Left Frame(1B).  
Screw Cap (C) is finally installed on the bolt (A) for decoration.

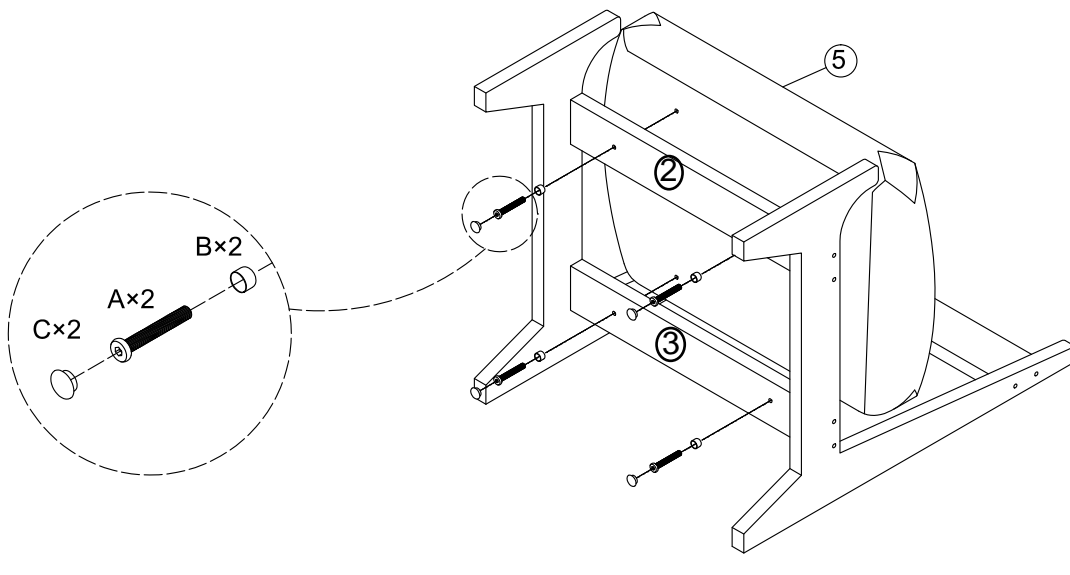


**ASSEMBLY INSTRUCTONS**  
**ITEM: W1885125537-W1885125539**  
**Description: Armless Accent Chair**

Thank you for purchasing this quality product, be sure to check all packing material carefully for small part that may have come loose inside the carton during shipment.

### Step 3

Secure the Seat Cushion(5) to the Side Rail(2) and Side Rail(3) with the Bolts(A), Washer(B). Finally install the Screw Cap(C) onto the Bolts(A) for decoration.



A		x4
B		x4
C		x4

### Step 4

Finally place the Backrest (6) on the Seat Cushion (5).

