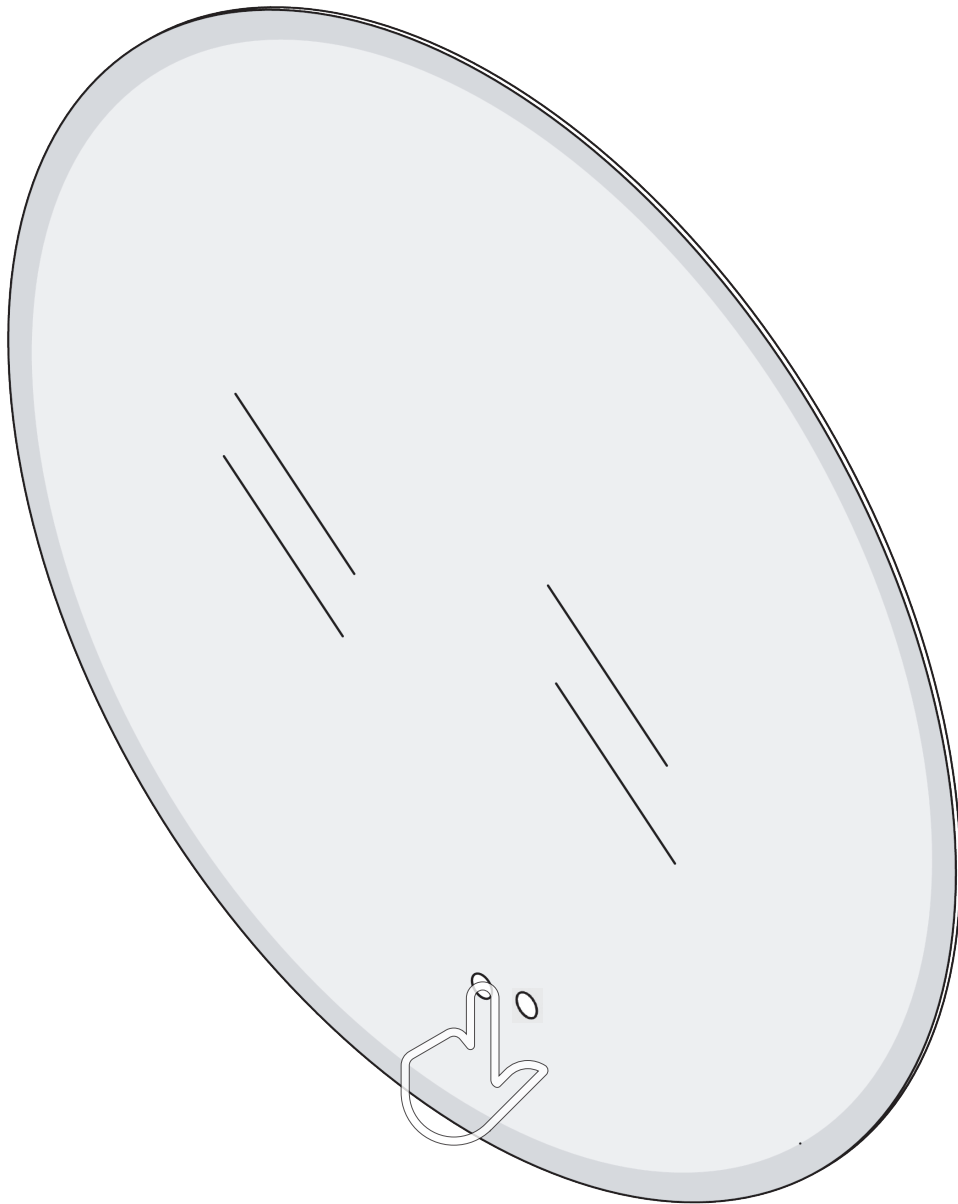


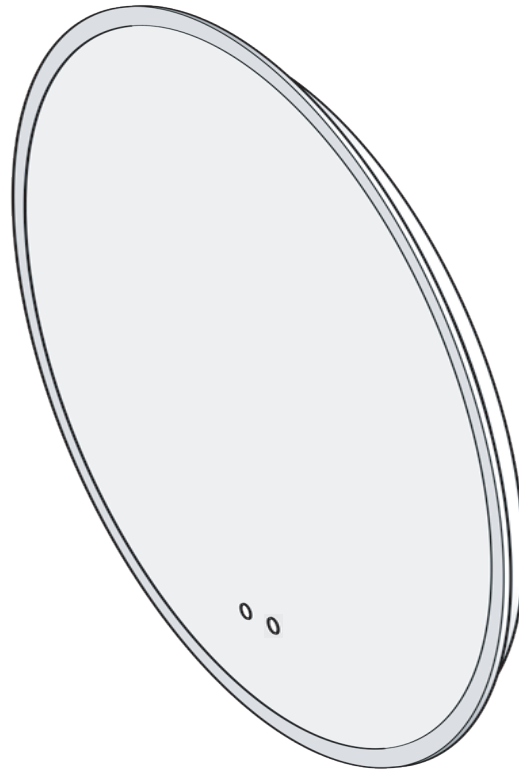
Bathroom Mirror

Installation Guide

ML01 / ML02



Dimensions



ML01

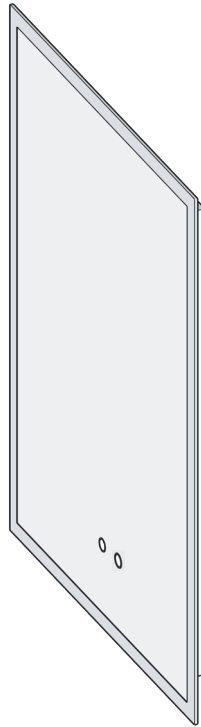
ML01-20Y

ML01-24Y

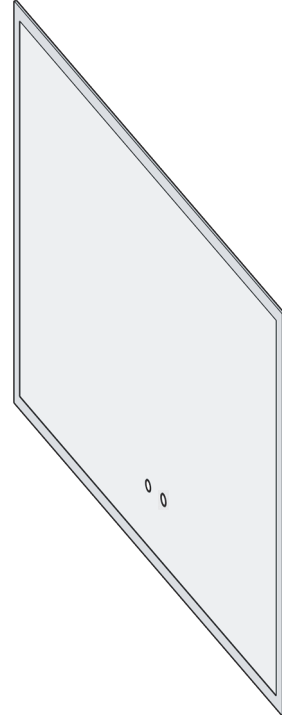
ML01-32Y

| | ML01 | | |
|----------------------------|-----------------------|-----------------------|-----------------------|
| Model | ML01-20Y | ML01-24Y | ML01-32Y |
| W | 19.7" | 23.6" | 31.5" |
| H | 19.7" | 23.6" | 31.5" |
| D | 1" | 1" | 1" |
| Specifications | | | |
| Voltage | 100v-130v | 100v-130v | 100v-130v |
| Hz | 47Hz-63Hz | 47Hz-63Hz | 47Hz-63Hz |
| CRI | ≥80 | ≥80 | ≥80 |
| Kelvin | 3000K-6000K | 3000K-6000K | 3000K-6000K |
| Maximum Lumens | 4212 | 5148 | 7332 |
| Defogger Dimensions | 5.9" x 7.9" | 7.9" x 11.8" | 13.8" x 13.8" |
| Standby Wattage | 0.5W | 0.5W | 0.5W |
| LED Strip Wattage | ≤13.5 | ≤16.5 | ≤23.5 |
| Total Wattage | ≤21 | ≤24.5 | ≤54.2 |
| Color Temperature | warm white-cold white | warm white-cold white | warm white-cold white |
| LED Lifetime | 50000H | 50000H | 50000H |
| Waterproof Rate | IP44 | IP44 | IP44 |
| Defogger Wattage | ≤7.5 | ≤15 | ≤30.63 |
| LED Strip Length | 53" | 65" | 92.5" |

Dimensions



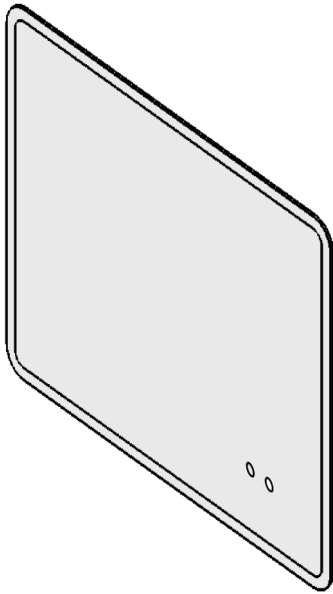
ML01
ML01-20F



ML01
ML01-30F
ML01-36F
ML01-40F
ML01-48F
ML01-60F

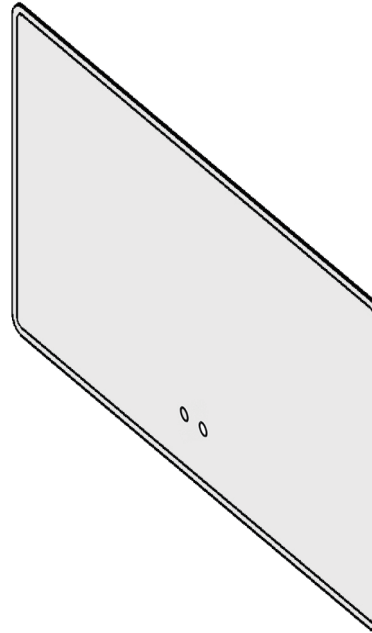
| ML01 | | | | | | |
|---------------------|-----------------------|-----------------------|-----------------------|-----------------------|-----------------------|-----------------------|
| Model | ML01-20F | ML01-30F | ML01-36F | ML01-40F | ML01-48F | ML01-60F |
| W | 19.7" | 29.5" | 35.4" | 39.4" | 47.2" | 59" |
| H | 27.6" | 23.6" | 23.6" | 31.5" | 31.5" | 31.5" |
| D | 1.2" | 1.2" | 1.2" | 1.2" | 1.2" | 1.2" |
| Specifications | | | | | | |
| Voltage | 100v-130v | 100v-130v | 100v-130v | 100v-130v | 100v-130v | 100v-130v |
| Hz | 47Hz-63Hz | 47Hz-63Hz | 47Hz-63Hz | 47Hz-63Hz | 47Hz-63Hz | 47Hz-63Hz |
| CRI | ≥80 | ≥80 | ≥80 | ≥80 | ≥80 | ≥80 |
| Kelvin | 3000K-6000K | 3000K-6000K | 3000K-6000K | 3000K-6000K | 3000K-6000K | 3000K-6000K |
| Maximum Lumens | 6552 | 7488 | 8424 | 10296 | 11544 | 13416 |
| Defogger Dimensions | 11.8" x 11.8" | 11.8" x 15.7" | 11.8" x 19.7" | 15.7" x 23.6" | 15.7" x 23.6" | 15.7" x 23.6" |
| Standby Wattage | 0.5W | 0.5W | 0.5W | 0.5W | 0.5W | 0.5W |
| LED Strip Wattage | ≤21 | ≤24 | ≤27 | ≤33 | ≤37 | ≤43 |
| Total Wattage | ≤43.5 | ≤54 | ≤64.5 | ≤93 | ≤97 | ≤103 |
| Color Temperature | warm white-cold white | warm white-cold white | warm white-cold white | warm white-cold white | warm white-cold white | warm white-cold white |
| LED Lifetime | 50000H | 50000H | 50000H | 50000H | 50000H | 50000H |
| Waterproof Rate | IP44 | IP44 | IP44 | IP44 | IP44 | IP44 |
| Defogger Wattage | ≤22.5 | ≤30 | ≤37.5 | ≤60 | ≤60 | ≤60 |
| LED Strip Length | 82.7" | 94.5" | 106.3" | 130" | 145.7" | 169.3" |

Dimensions



ML01

ML01-30R
ML01-36R
ML01-40R



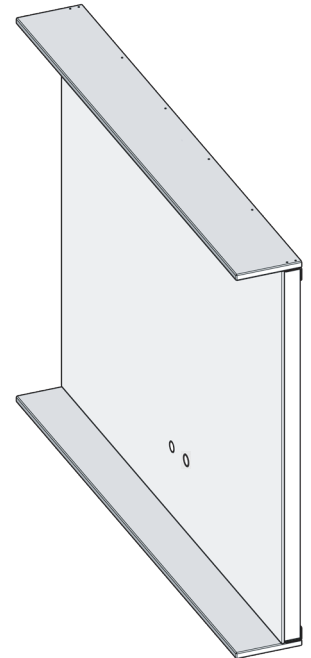
ML01

ML01-48R
ML01-60R

| | ML01 | | | | |
|---------------------|-----------------------|-----------------------|-----------------------|-----------------------|-----------------------|
| Model | ML01-30R | ML01-36R | ML01-40R | ML01-48R | ML01-60R |
| W | 29.5" | 35.4" | 39.4" | 47.2" | 59" |
| H | 23.6" | 23.6" | 31.5" | 31.5" | 31.5" |
| D | 1.2" | 1.2" | 1.2" | 1.2" | 1.2" |
| Specifications | | | | | |
| Voltage | 100v-130v | 100v-130v | 100v-130v | 100v-130v | 100v-130v |
| Hz | 47Hz-63Hz | 47Hz-63Hz | 47Hz-63Hz | 47Hz-63Hz | 47Hz-63Hz |
| CRI | ≥80 | ≥80 | ≥80 | ≥80 | ≥80 |
| Kelvin | 3000K-6000K | 3000K-6000K | 3000K-6000K | 3000K-6000K | 3000K-6000K |
| Maximum Lumens | 7488 | 8424 | 10296 | 11544 | 13416 |
| Defogger Dimensions | 11.8" x 15.7" | 11.8" x 19.7" | 15.7" x 23.6" | 15.7" x 23.6" | 15.7" x 23.6" |
| Standby Wattage | 0.5W | 0.5W | 0.5W | 0.5W | 0.5W |
| LED Strip Wattage | ≤24 | ≤27 | ≤33 | ≤37 | ≤43 |
| Total Wattage | ≤54 | ≤64.5 | ≤93 | ≤97 | ≤103 |
| Color Temperature | warm white-cold white | warm white-cold white | warm white-cold white | warm white-cold white | warm white-cold white |
| LED Lifetime | 50000H | 50000H | 50000H | 50000H | 50000H |
| Waterproof Rate | IP44 | IP44 | IP44 | IP44 | IP44 |
| Defogger Wattage | ≤30 | ≤37.5 | ≤60 | ≤60 | ≤60 |
| LED Strip Length | 94.5" | 106.3" | 130" | 145.7" | 169.3" |

Dimensions

| | ML02 | | | | |
|---------------------|-----------------------|-----------------------|-----------------------|-----------------------|-----------------------|
| Model | ML02-30F | ML02-36F | ML02-40F | ML02-48F | ML02-60F |
| W | 29.5" | 35.4" | 39.4" | 47.2" | 59" |
| H | 23.6" | 23.6" | 31.5" | 31.5" | 31.5" |
| D | 1.2" | 1.2" | 1.2" | 1.2" | 1.2" |
| Specifications | | | | | |
| Voltage | 100v-130v | v100v-130v | 100v-130v | 100v-130v | 100v-130v |
| Hz | 47Hz-63Hz | 47Hz-63Hz | 47Hz-63Hz | 47Hz-63Hz | 47Hz-63Hz |
| CRI | ≥80 | ≥80 | ≥80 | ≥80 | ≥80 |
| Kelvin | 3000K-6000K | 3000K-6000K | 3000K-6000K | 3000K-6000K | 3000K-6000K |
| Maximum Lumens | 4680 | 5616 | 6240 | 7488 | 9360 |
| Defogger Dimensions | 11.8" x 15.7" | 11.8" x 19.7" | 15.7" x 23.6" | 15.7" x 23.6" | 15.7" x 23.6" |
| Standby Wattage | 0.5W | 0.5W | 0.5W | 0.5W | 0.5W |
| LED Strip Wattage | ≤15 | ≤18 | ≤20 | ≤24 | ≤3 |
| Total Wattage | ≤45 | ≤55.5 | ≤80 | ≤84 | ≤90 |
| Color Temperature | warm white-cold white | warm white-cold white | warm white-cold white | warm white-cold white | warm white-cold white |
| LED Lifetime | 50000H | 50000H | 50000H | 50000H | 50000H |
| Waterproof Rate | IP44 | IP44 | IP44 | IP44 | IP44 |
| Defogger Wattage | ≤30 | ≤37.5 | ≤60 | ≤60 | ≤60 |
| LED Strip Length | 59" | 70.9" | 78.7" | 94.5" | 118" |



ML02

ML02-30F
ML02-36F
ML02-40F
ML02-48F
ML02-60F

Some Support:



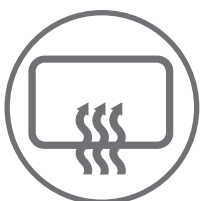
Wall Switch



Touch Sensor



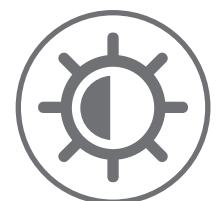
Brightness Memory



Anti-fog



Energy Saving



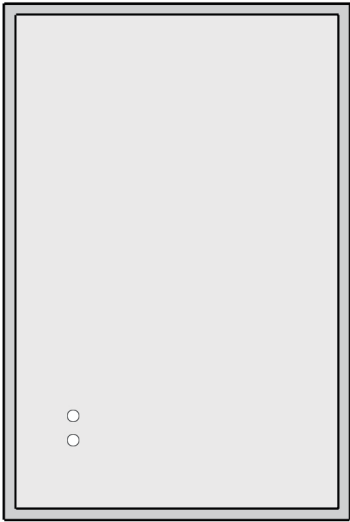
Dimmable

Models can be hung vertically or horizontally



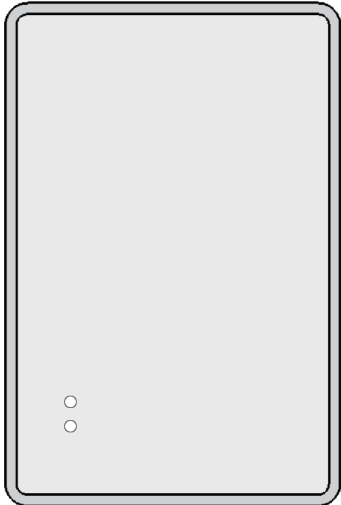
ML01

- ML01-20F
- ML01-30F
- ML01-36F
- ML01-40F



ML01

- ML01-30R
- ML01-36R
- ML01-40R



Safety instructions



WARNING:

- 1.To reduce the risk of burns, fire, electric shock or injury to persons.
- 2.Use this furnishing only for its intended use as described in these instructions.
- 3.Do not use attachments not recommended by the manufacturer.
- 4.Never drop or insert any object into any opening.
- 5.Keep the cord away from heated surfaces.
- 6.Do not use outdoors.

Electric Connections:

ALL WIRING SHOULD BE DONE BY A QUALIFIED LICENCED ELECTRICIAN

1. Shut off power before wiring the mirror.
- 2.An Electrical option mirror must be wired to a Ground Fault Interrupter protected circuit when used in bathrooms and all other locations required by the National Electric Code.

Grounding Instructions:

This product must be connected to a grounded metal, permanent wiring system, or an equipmentgrounding conductor must be run with the circuit conductors and connected to the equipmentgrounding terminal or lead on the product.

Care And Maintenance:

- 1.Clean the mirror with a soft, damp cloth and dry thoroughly with a soft towel.
 - 2.Do NOT allow the edges of the mirror to get or remain wet over a period of time.
 - 3.Never use ammonia, abrasives, bleach or solvent based cleaners.
 - 4.Never spray any cleaner directly onto a mirror.
 - 5.Instead apply the cleaner to a soft cloth and then wipe the mirror.
 - 6.Make sure no commercial cleaner comes in contact with the edge or backing.
-

Something needed

Tools Required:



leveling instrument



Pen



Tape measure



Screwdriver



Hammer

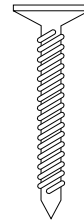


Drill

Parts Included:



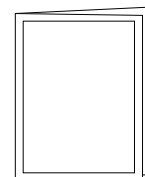
1



2



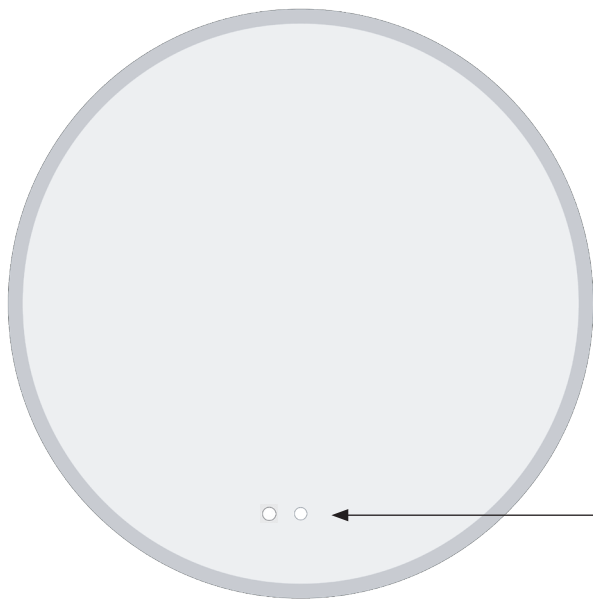
3



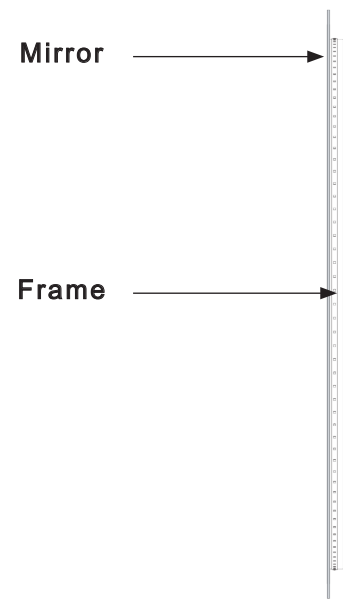
4

| | Name | QTY |
|---|---------------------------|-----|
| 1 | Mirror | 1 |
| 2 | Screws | 2 |
| 3 | Plastic Anchor | 2 |
| 4 | Installation Instructions | 1 |

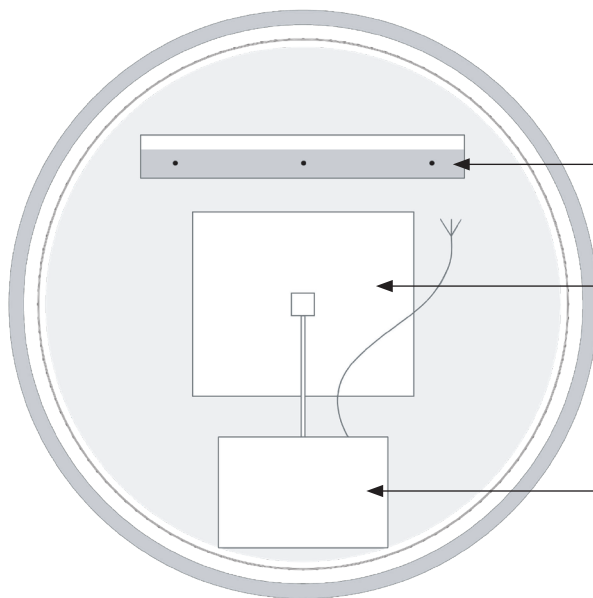
Detailed components



Front view



Side view



Back view

How to assemble

NOTE:

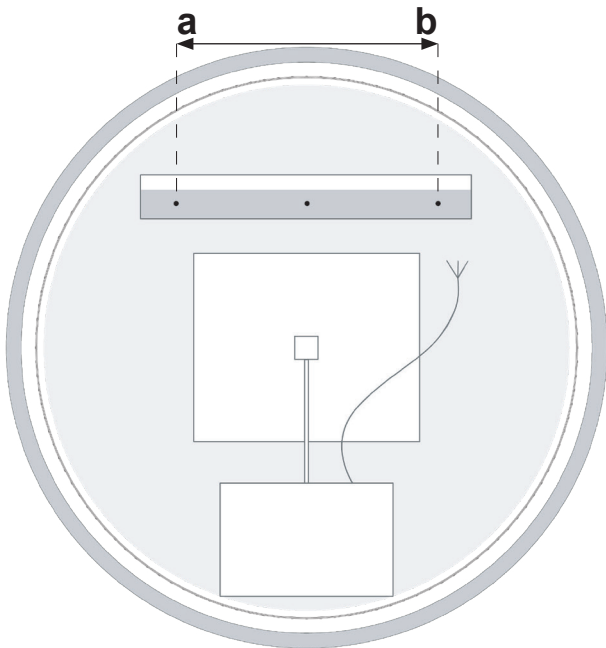
Carefully hold the mirror up from the package, and always place the mirror on a soft surface e.g. carpet or folded towels.

DO NOT touch the frosted glass strips on the back of the mirror.

DO NOT remove protective film or corner protectors until the mirror is completely installed.

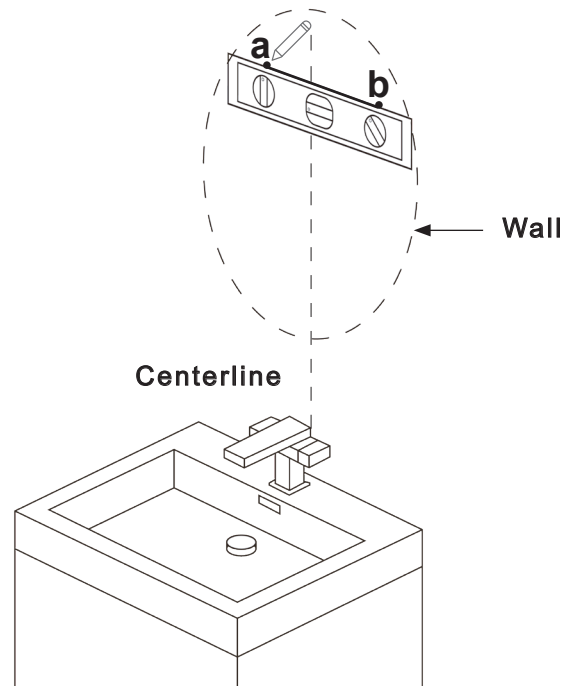
STEP 1:

Measure the distances between two hanging holes on the back of mirror.



STEP 2:

Draw a horizontal line on the wall to the desired height and mark the drilling locations on the line according to your plan.

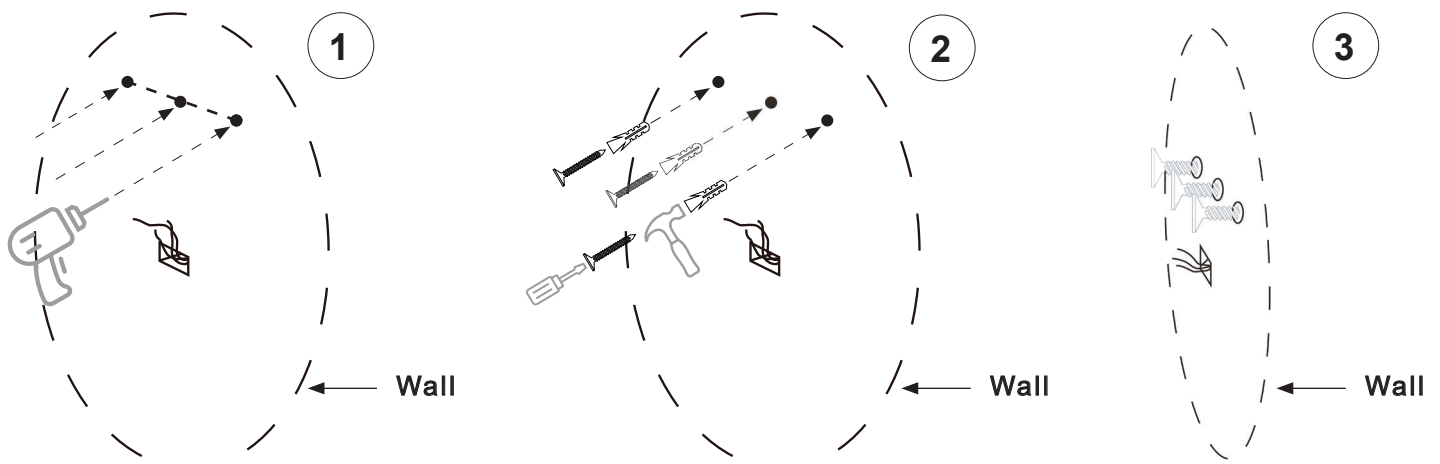


STEP 3:

Drill holes with 15/64 " drill bit in the marked positions to a suitable depth.

Insert wall plugs and screws provided.

*Before drilling, ensure there are no hidden cables or pipes behind the mounting points.

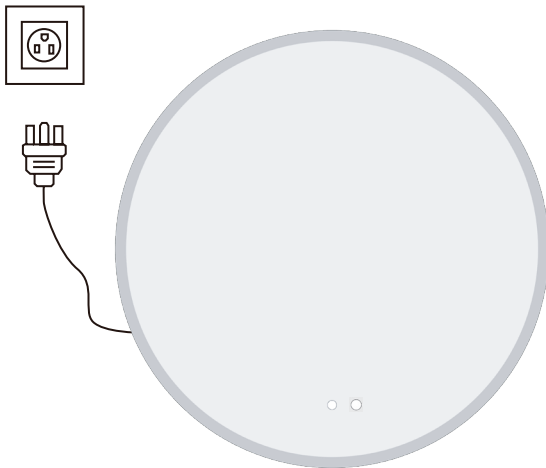


How to assemble

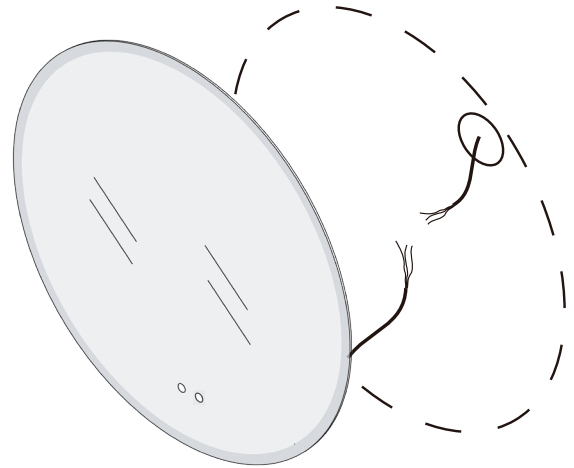
STEP 4:

If the reserved socket is on the wall behind the mirror, plug-in or hardwire to the power supply at this moment.

***2 ways connection:**



1 Plug to the socket nearby.

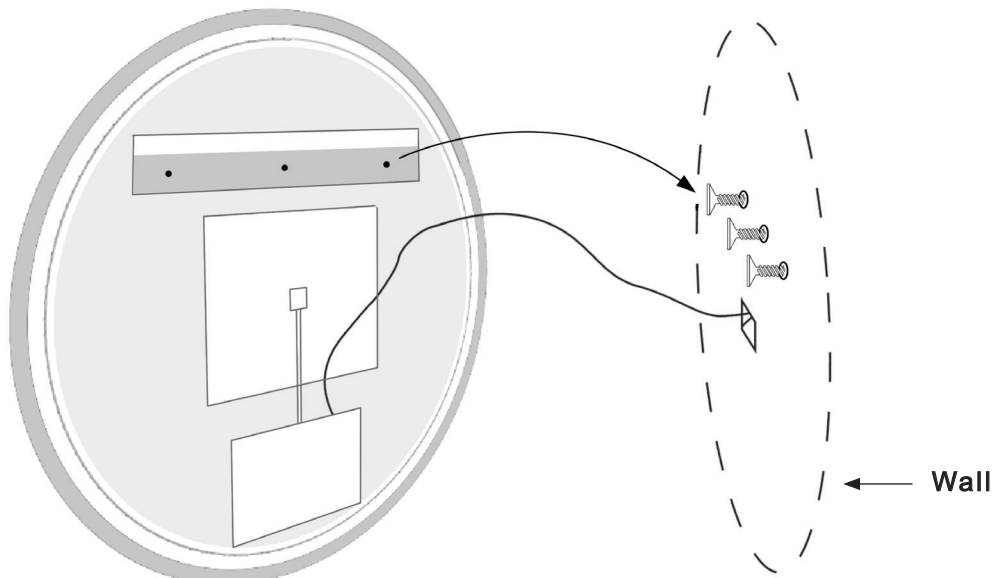


2 Cut the wire and connect it to the reserved electrical wiring.

⚠ WARNING: Shut off power before wiring the mirror!

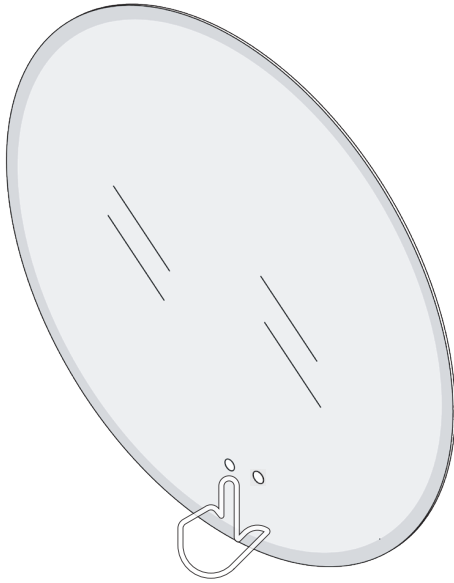
STEP 5:

With the help of another person, Carefully hold the mirror and hang it by attaching the bracket onto the screws fitted to the wall. Ensure mirror is securely mounted.



Operation and warranty

Operation:



**Defogger
Switch**



**Light Switch
/ Brightness
Adjustment**

1. The button is white when it opens and blue when it closes.
2. Soft touch the light switch to change between the 3 light temperatures: cold, neutral and warm.
3. Touch and hold the light switch to change the brightness.
4. Both switches have the memory function. The next time you open the mirror, it will be in the same status as it was closed.

Warranty:

All shipments are carefully inspected and counted before leaving our distribution centers. Please inspect carefully on receipt of merchandise, noting any discrepancy or damage on the carrier's freight bill at that time.

We offer a 1-year Limited warranty on our mirror products.

Defective products should be returned to place of purchase for replacement. Returns will be handled by product replacement. Defects or damage caused to product by the consumer are not accepted.