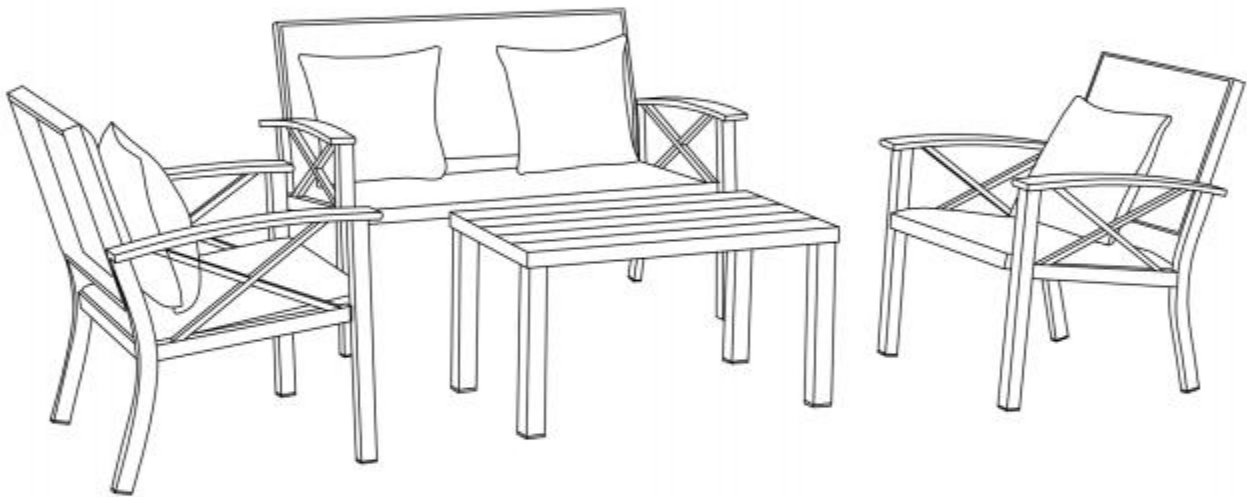
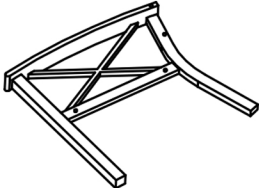
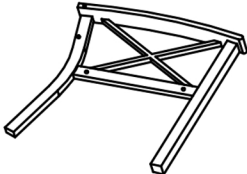
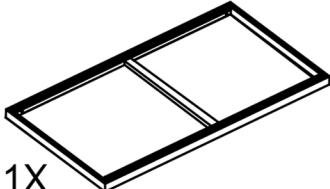
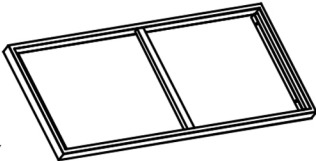



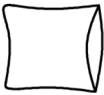


# **Set of 4 Patio Furniture Set Loveseat&Table Assembly Manual**



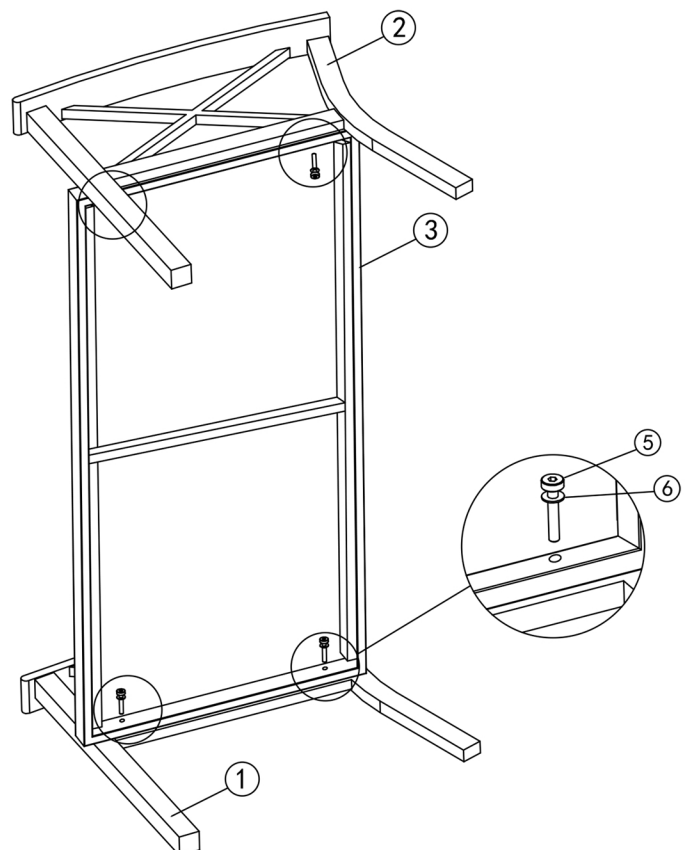
- Prior to assembly, please confirm all of the parts listed included.
- All bolts should be tightened before use. Maybe, you need allen wrench for assembly.
- Missing Part? Damaged? Contact us via email at [domiservice01@outlook.com](mailto:domiservice01@outlook.com).

# Parts List:

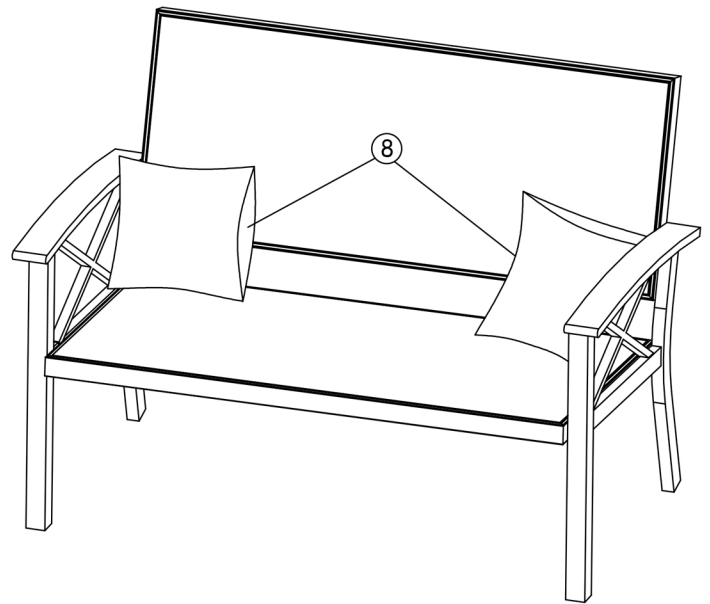
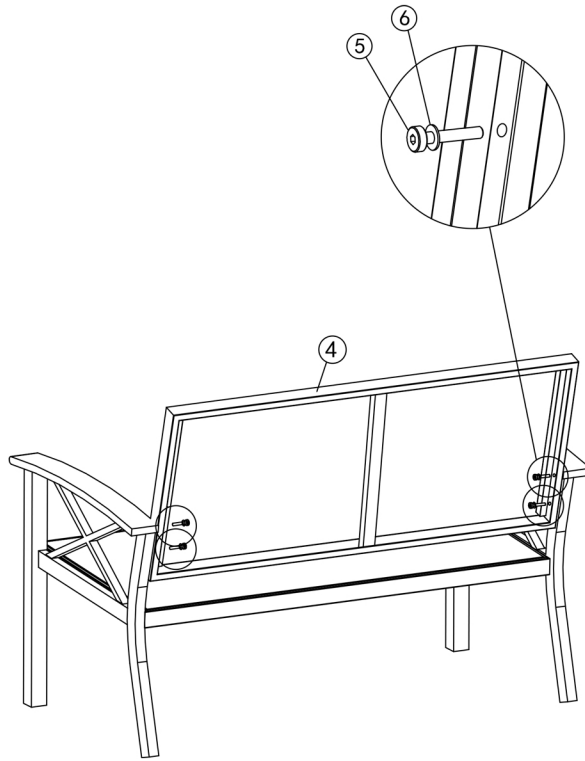
|   |   |   |   |
|---|---|---|---|
|  <p>① 1X</p> |  <p>② 1X</p>       |  <p>③ 1X</p>   |   |
|  <p>④ 1X</p> |  <p>⑤ 8X M6X30</p> |  <p>⑥ 8X D6</p> |  <p>⑦ 1X</p> |
|  <p>⑧ 2X</p> |   |   |   |

**Step 1:** Install Part 1(Leg) and Part 2(Leg) to Part 3(Seat) with Part 5(Screws) and Part 6 using Part 7(Wrench).

Please don't tighten the screws fully before the backrest is assembled.

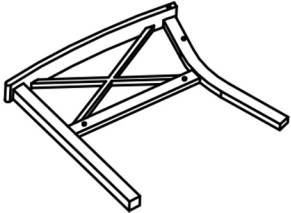
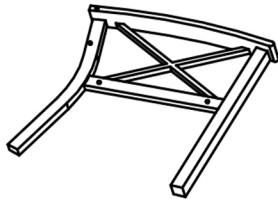
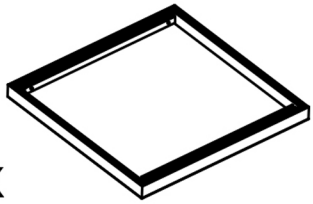
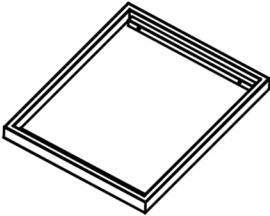



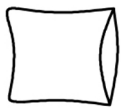


Step 2: Install Part 4(Backrest) to the legs with Part 5(Screws) and Part 6 using Part 7(Wrench).

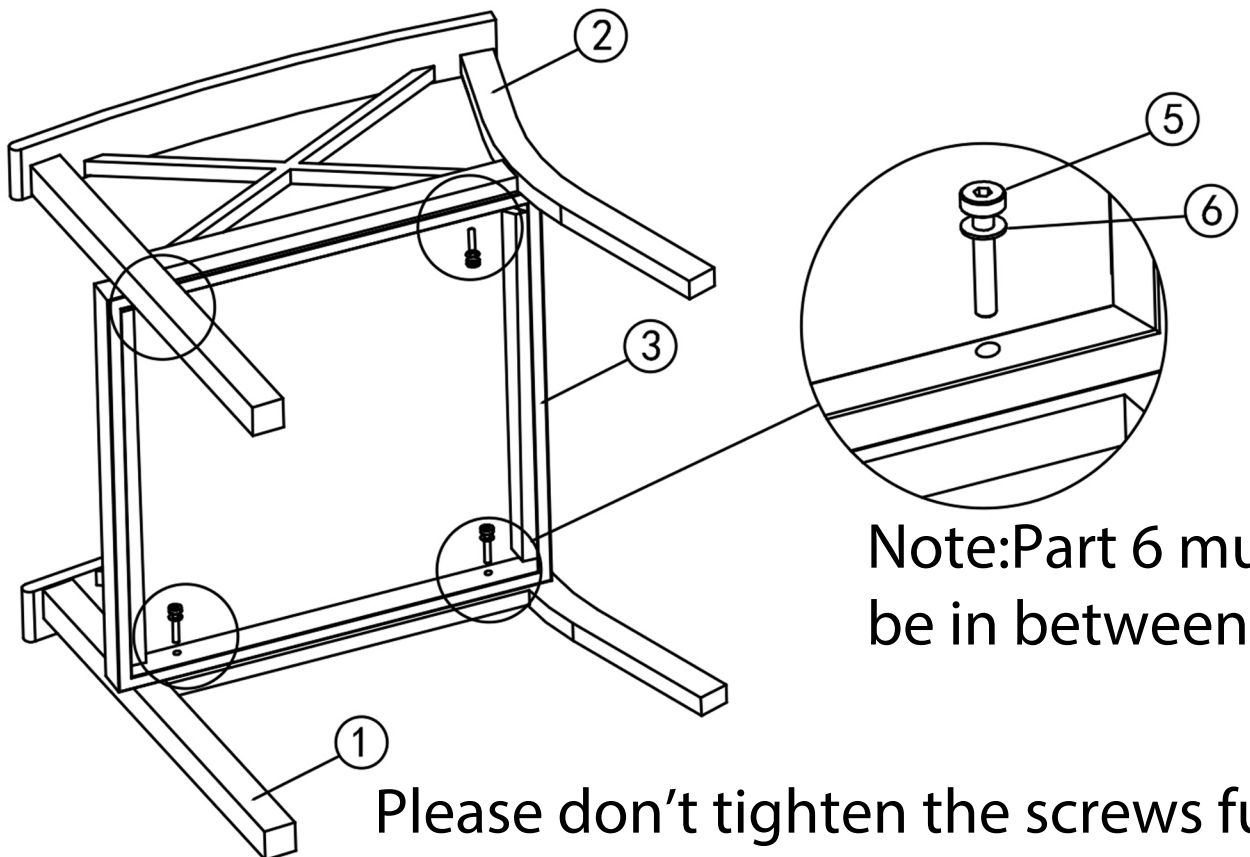


Finally, get the chair.

# Parts List:

|   |   |  |   |
|---|---|--|---|
|  <p>① 1X</p> |  <p>② 1X</p>      |  <p>③ 1X</p>    |   |
|  <p>④ 1X</p> |  <p>⑤ 8X M6X30</p> |  <p>⑥ 8X D6</p> |  <p>⑦ 1X</p> |
|  <p>⑧ 1X</p> |   |  |   |

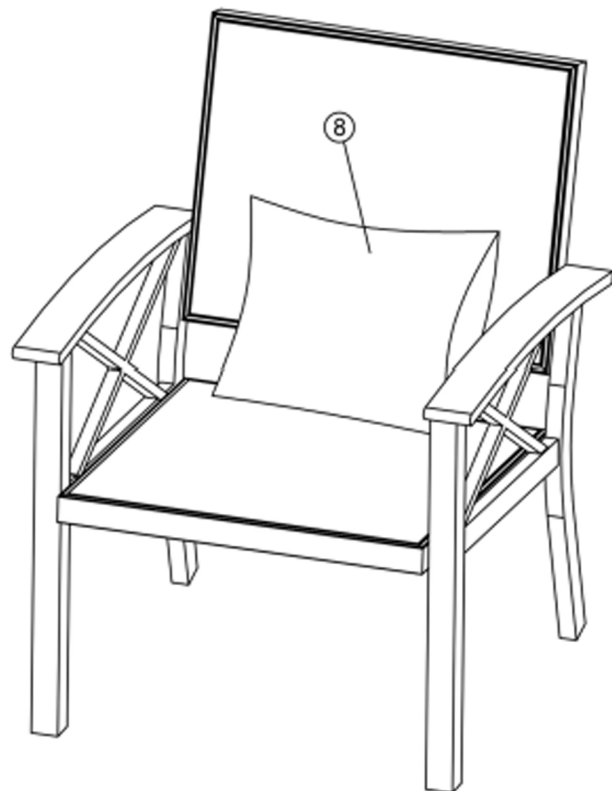
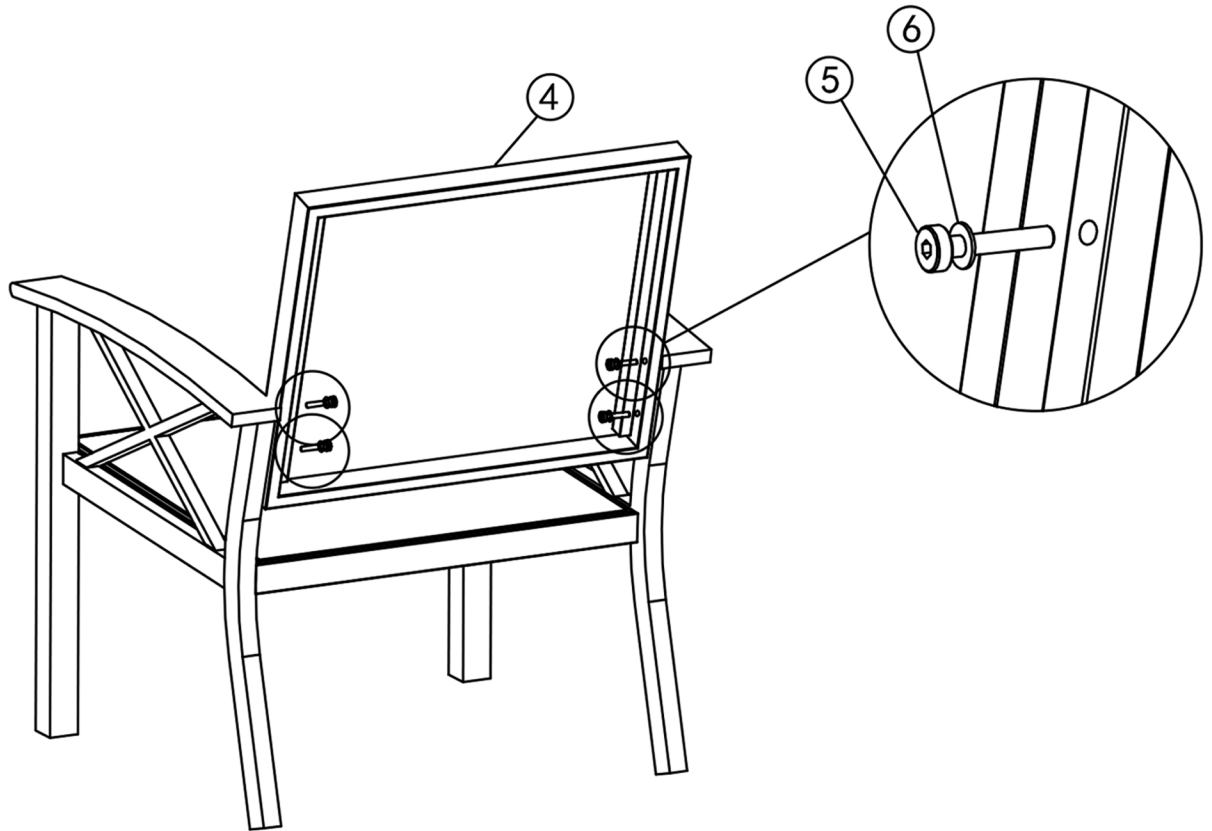
**Step 1:** Install Part 1(Leg) and Part 2(Leg) to Part 3(Seat) with Part 5(Screws) and Part 6 using Part 7(Wrench).



Please don't tighten the screws fully before the backrest is assembled.



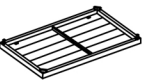

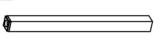
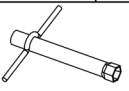


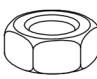
**Step 2: Install Part 4(Backrest) to the legs with Part 5(Screws) and Part 6 using Part 7(Wrench).**

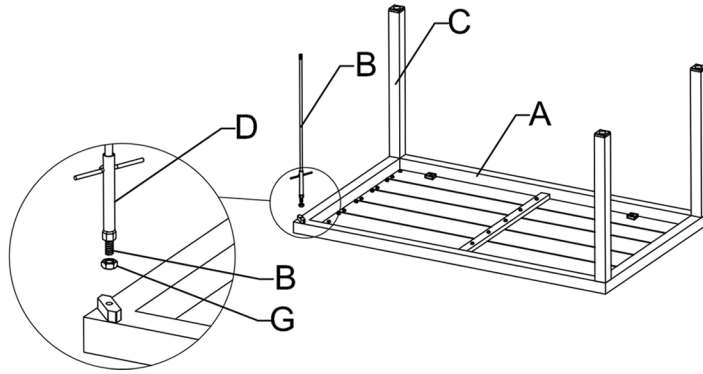


Finally, get the chair.

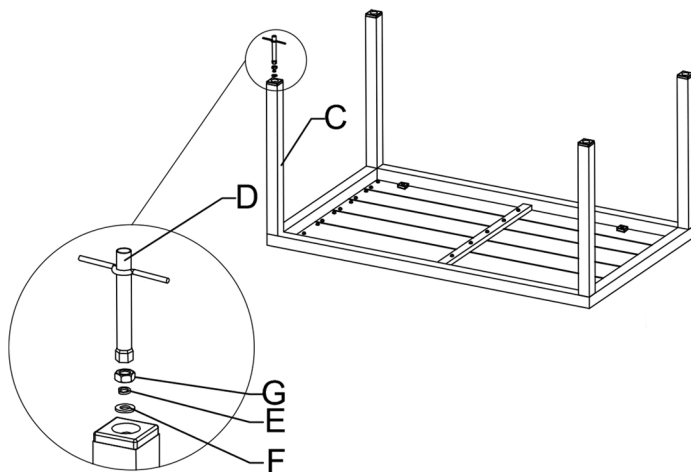
# Table Assembly Manual

## Parts list:

|   |  |    |
|---|--|----|
| A |    | X1 |
| B |    | X4 |
| C |    | X4 |
| D |    | X1 |
| E |    | X4 |
| F |  | X4 |
| G |  | X8 |



**Step 1:** Screw Part G to Part B about 0.5" , then screw Part B to Part A. Lock Part G using Part D(Tool).



**Step 2:** Cover Part B with Part C, Then put Part F and Part E to Part B. Lock Part G(Screw) using Part D(Tool).

