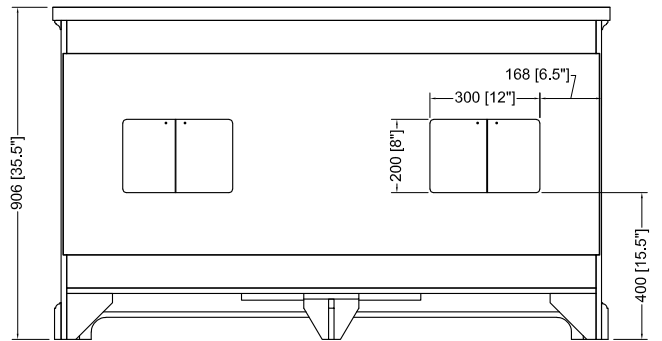
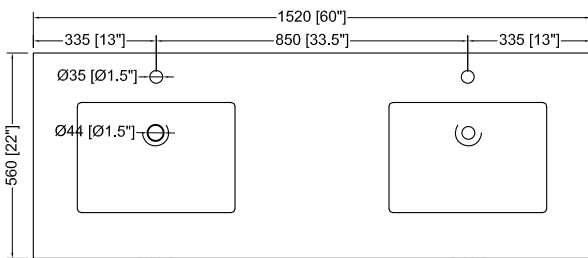
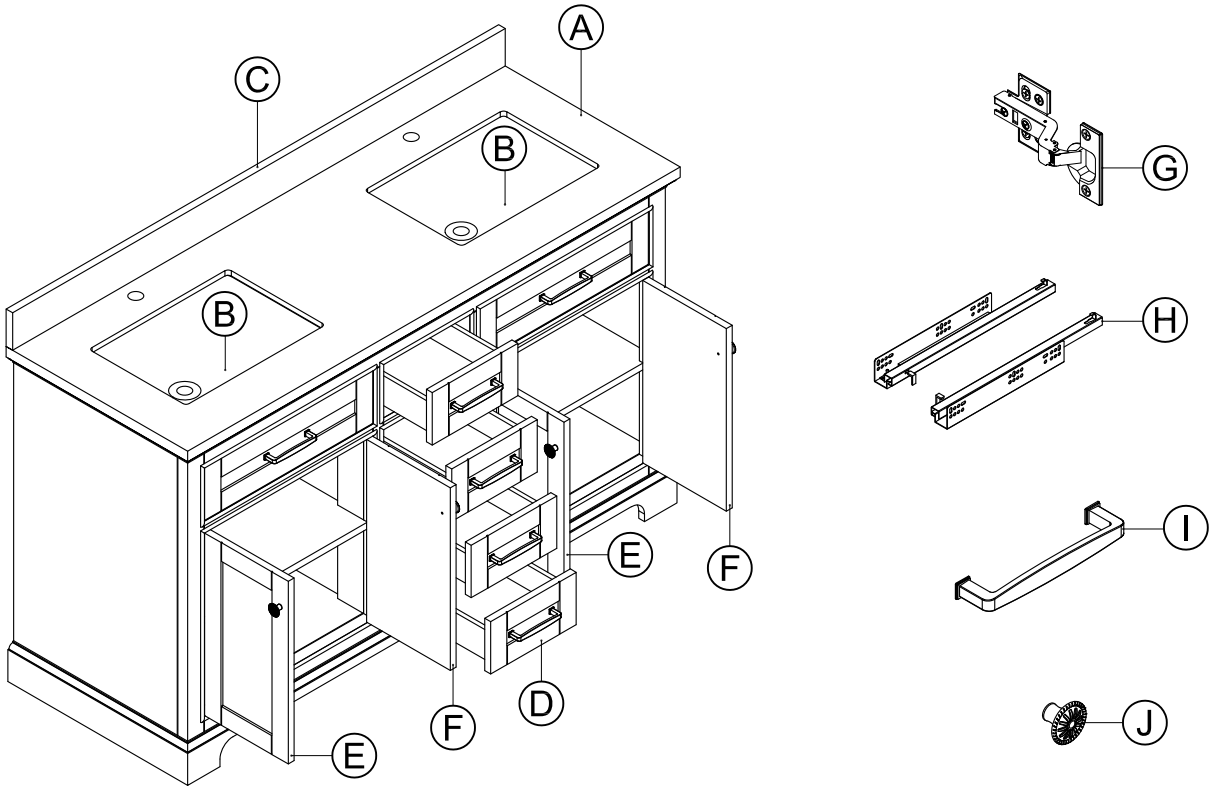


Measures: millimeter [inch]

DIMENSIONS

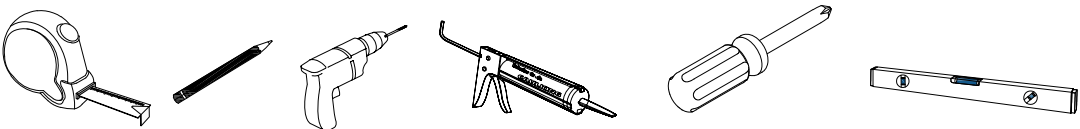


PART LIST



PART#	DESCRIPTION	QUANTITY
A	Countertop	1
B	Basin	2
C	Backsplash	1
D	Drawer	4
E	Door(left)	2
F	Door(right)	2
G	Hinge(door)	8
H	Drawer glides	4
I	Handle	6
J	Knob	4

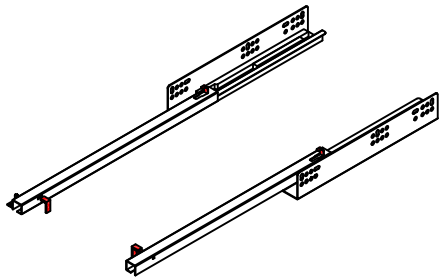
TOOLS REQUIRED (not supplied)



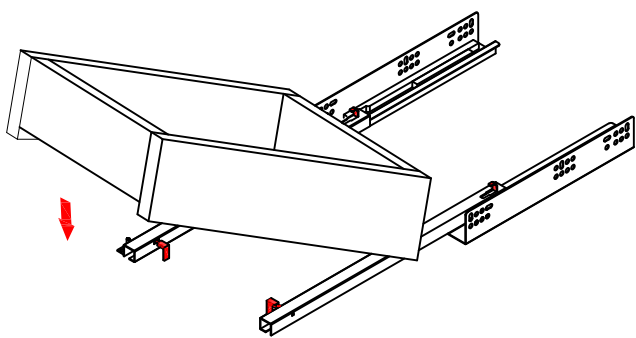
Adjust Slider For Drawer

INSTALL

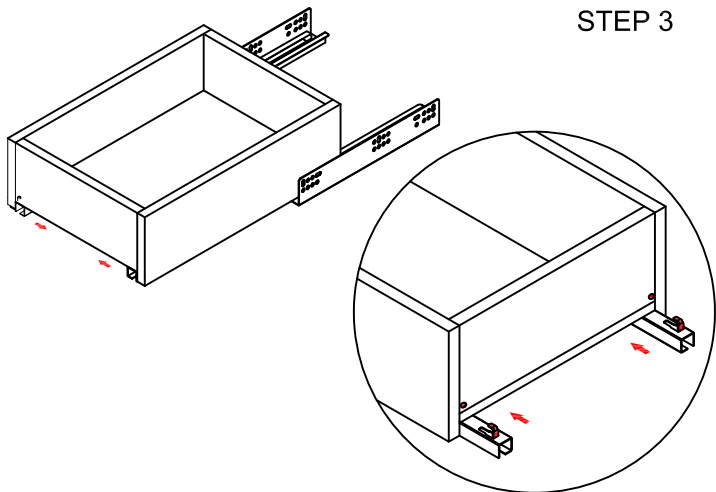
STEP 1



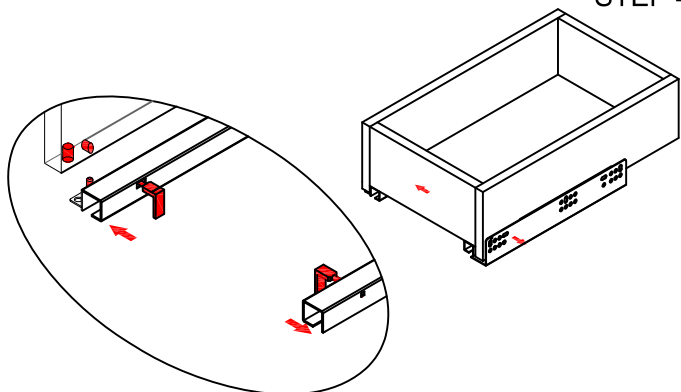
STEP 2



STEP 3

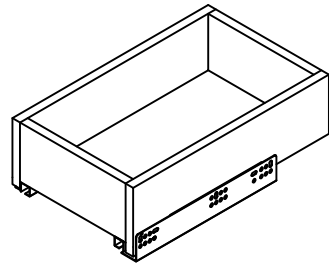


STEP 4

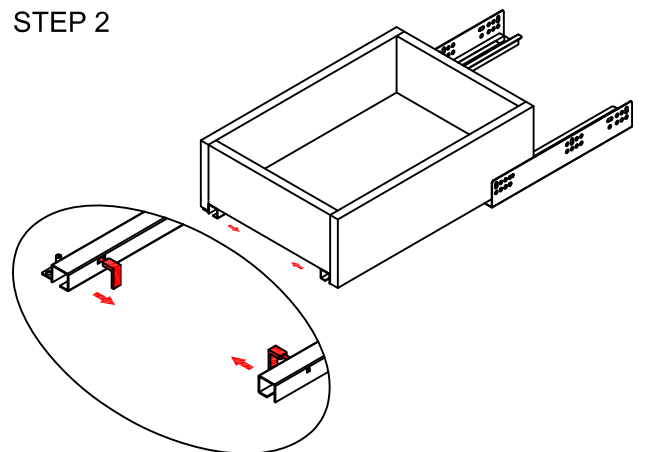


REMOVE

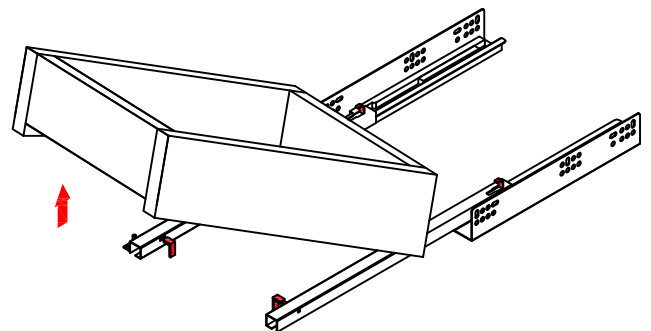
STEP 1



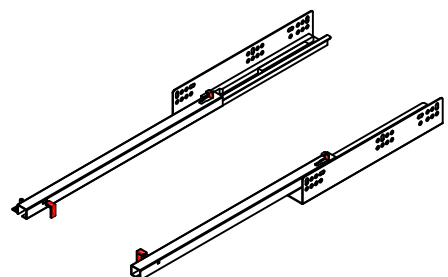
STEP 2



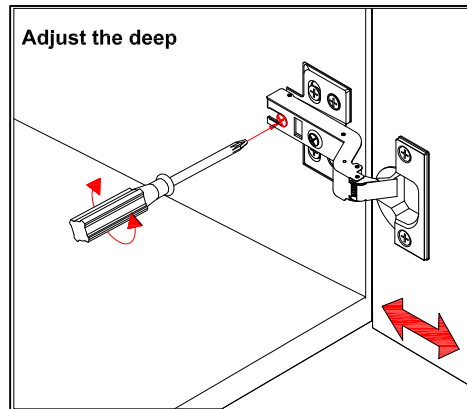
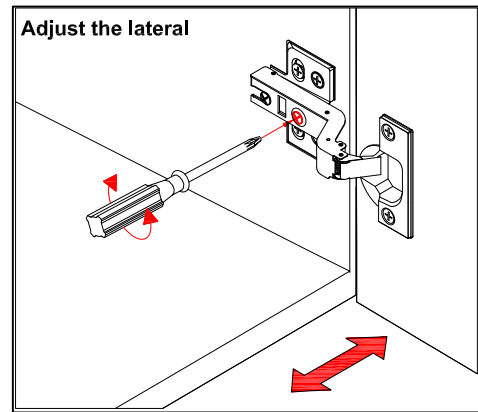
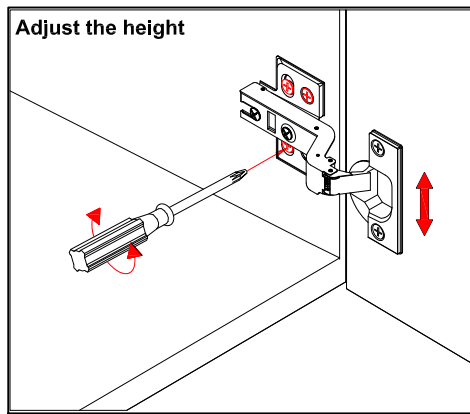
STEP 3



STEP 4

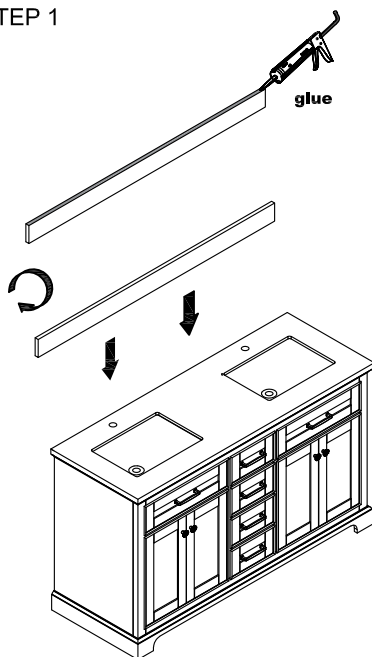


INSTALLATION AND ADJUSTION OF HINGE

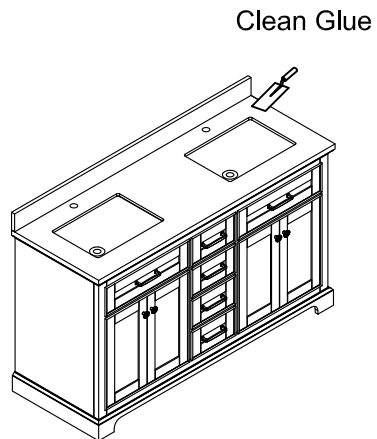


Install Backsplash

STEP 1



STEP 2



STEP 3

