



BEFORE UNPACKING THE PRODUCT, READ ALL INSTRUCTIONS CAREFULLY.

INSTRUCTIONS THAT, IF IGNORED COULD RESULT IN DEATH OR SERIOUS INJURY CAUSED BY INCORRECT HANDLING OR INSTALLATION OF THE PRODUCT. THESE INSTRUCTIONS MUST BE OBSERVED FOR SAFE INSTALLATION.

CAUTION!



TWO PERSON LIFT REQUIRED

12 PEOPLE ARE REQUIRED TO LIFT AND DURING ENTIRE INSTALLATION OF THIS PRODUCT



INSTALLATION OF THIS PRODUCTS BY AN INEXPERIENCED INSTALLER MAY RESULT PERSONAL INJURY OR DEATH!



We reserves the right to change, update, modify, alter, redesign this manual/product or its policies without prior notice!

We shall not be liable for any injuries or property damages in connection with this product during installation or use of this product!

Failure to follow these instructions may result in death or serious injury due to incorrect handling or installation of the product. Ensure that at least two people are available to lift the product during installation. The installation of this product by an inexperienced installer may result in personal injury or death.

Please note that we reserve the right to change, update, modify, alter, or redesign this manual/product or its policies without prior notice. We shall not be liable for any injuries or property damages in connection with the installation or use of this product.

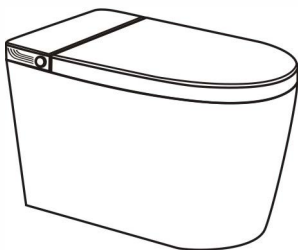
This product must be installed by a fully insured and licensed plumber only. Installation by anyone other than a fully insured and licensed plumber shall void the limited warranty. We recommend that the licensed plumber have experience in installing our products.

Please note that the limited warranty is void for any commercial installation. We are not responsible for local code compliance for this product. Building and plumbing codes may vary from state to state, so it is the customer's responsibility to ensure compliance. We are not responsible for providing any compliance certifications.

Under no circumstances shall we be liable for any incidental damages sustained in connection with this product. Neither the manufacturer, distributor, nor retailer is responsible for water damage or flooding caused due to the use of this product. Under no circumstances shall we be liable for any fees, costs of installation/reinstallation/removal, subsequent damage, or transportation in case of product defects.

TOILET COMPONENTS

Before installation, carefully inspect the product for any damages or missing parts. Do not attempt to install or operate the product if it is damaged.



Main Unit



Sealing Flange



Remote controller components



Installation Cardboard



Mounting accessory kit

TOOLS REQUIRED FOR INSTALLATION



Soft Cloth or Blanket



Silicone



Silicone/Caulk Gun



Tape Measure



Pencil Marker



Safety Glass



Knife



Adjustable Wrench



Channel Lock Pliers



Adjustable Socket Extension



Philips Screwdriver



Level



Putty Knife

OTHER TOOLS MAY BE REQUIRE

IMPORTANT SAFEGUARDS

When using electrical products, especially in the presence of children, always follow basic safety precautions, including the following:

1. Do not use the appliance if you have reduced physical, sensory, or mental capabilities, or lack of experience and knowledge, unless you have been given supervision or instruction.
2. Ensure that children are supervised and do not play with the appliance.
3. This appliance can be used by children aged 8 years and above, as well as persons with reduced physical, sensory, or mental capabilities, or lack of experience and knowledge, if they have been given supervision or instruction concerning the safe use of the appliance and understand the hazards involved.
4. Children should not play with the appliance.
5. Cleaning and user maintenance should not be carried out by children without supervision.

READ ALL INSTRUCTIONS BEFORE USING



DANGER -To reduce the risk of electrocution:

1. Do not use the product while bathing.
2. Do not place or store the product where it can fall or be pulled into a tub or sink.
3. Do not place the product in or drop it into water or other liquid.
4. If the product falls into water, unplug it immediately and do not touch it until it has been examined and repaired by a qualified service center.
5. Do not wash the main unit or electrical plug with water or detergent.
6. Do not handle the electrical plug with wet hands.
7. Do not put your hand or any other object over the outlet of the air dryer or block the outlet of the air dryer.
8. Never disassemble, repair, or modify this product.
9. During installation, disassembly, repair, and maintenance of the product, the power plug must be switched off and the water supply shut off.



WARNING -To reduce the risk of burns, electrocution, fire, or injury to persons.

1. Close supervision is necessary when this product is used by, on, or near children or individuals with disabilities.
2. Use this product only for its intended purpose, as described in this manual. Do not use attachments that are not recommended by the manufacturer.
3. Do not operate this product if it has a damaged cord or plug, is not working correctly, has been dropped or damaged, or has been dropped into water. Return the product to a service center for examination and repair.
4. Keep the cord away from heated surfaces.
5. Never use the product while sleeping or drowsy.
6. Never drop or insert any object into any opening or hose.
7. Do not use this product outdoors or operate it where aerosol (spray) products are being used or where oxygen is being administered.
8. Connect this product to a properly grounded outlet only. See Grounding Instructions.
9. Do not throw cigarettes or other burning objects into the toilet, as it may cause a fire.
10. This product is an electrical appliance and must be placed far away from water. Do not allow urine or other liquids to come into contact with the product.
11. Do not lay the product on its side or upside down during the electrical circuit.
12. It is prohibited to use other electrical appliances in the same socket.
13. It is forbidden to use a power extension or an unstable, loose outlet.
14. The old, aging water supply hose cannot be used, as it may cause leakage, fire, or electrical shock. The installation of the bidet seat should include specified components and a new water supply hose.



CAUTION – Indicates that failure to follow the instruction may cause body injury or property damage.

1. Do not install or use the product in wet places as steam room etc. This product must be connected to properly grounded power outlet socket.
 2. It is recommended to use a waterproof electrical outlet that should be installed in a place where it is not easily wet.
 3. This product should only be used with AC 110V-120V, 50/60Hz electrical current and a load current of at least 15A. The power plug must be equipped with a ground fault circuit interrupter or ground fault electrical leakage protector, or a similar high-sensitive, rapid-type leakage switch (rated sensitive current under 6mA).
 4. When there is thunder, it is strongly recommended to pull out the power plug.
 5. Do not stand on the ceramic toilet.
 6. The ceramic toilet must be installed with floor fixing bolts.
 7. Do not stand on the product unit, seat, and cover.
 8. Do not lean against the seat cover when using the product to avoid damage.
 9. This product is equipped with a soft-closing seat cover. Heavy pressing or pushing may damage the soft-closing damper.
 10. Do not use lacquer thinner, petrol, liquid medicine, detergent, insecticide, toilet cleanser, or scrubbing brush to clean the product.
 11. Exposure to direct sunlight is prohibited.
 12. Only use tap water or bottled water. Otherwise, it may cause chafing.
 13. Do not connect the water supply to the heater outlet. Make sure the inlet water temperature is between 3~35°C.
 14. When the room temperature is below zero degrees, please dry up the water tank to avoid freezing.
 15. Raise the restroom temperature to prevent the toilet from being damaged due to freezing.
 16. When moving the product from a cold or wet environment into a normal room temperature, wait for 2 hours until the condensation water is fully volatilized. Doing so can prevent the product from an electric short-circuit.
 17. When not using the product for over three (3) days, drain the water out of the container and pull the electrical plug from the wall outlet.
- ELECTRONIC BIDET TOILET
18. Stop using the product and shut off the power when the product malfunctions. Please contact the service people for professional service.

GROUNDING INSTRUCTIONS

This product should be grounded. In the event of an electrical short circuit, grounding reduces the risk of electric shock by providing an escape wire for the electric current. This product is equipped with a cord having a grounding wire with a grounding plug. The plug must be plugged into an outlet that is properly installed and grounded.

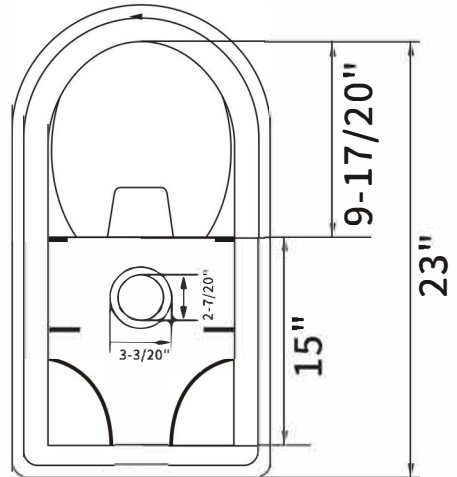
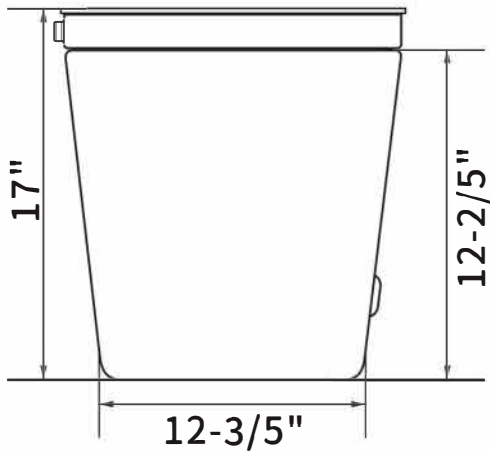
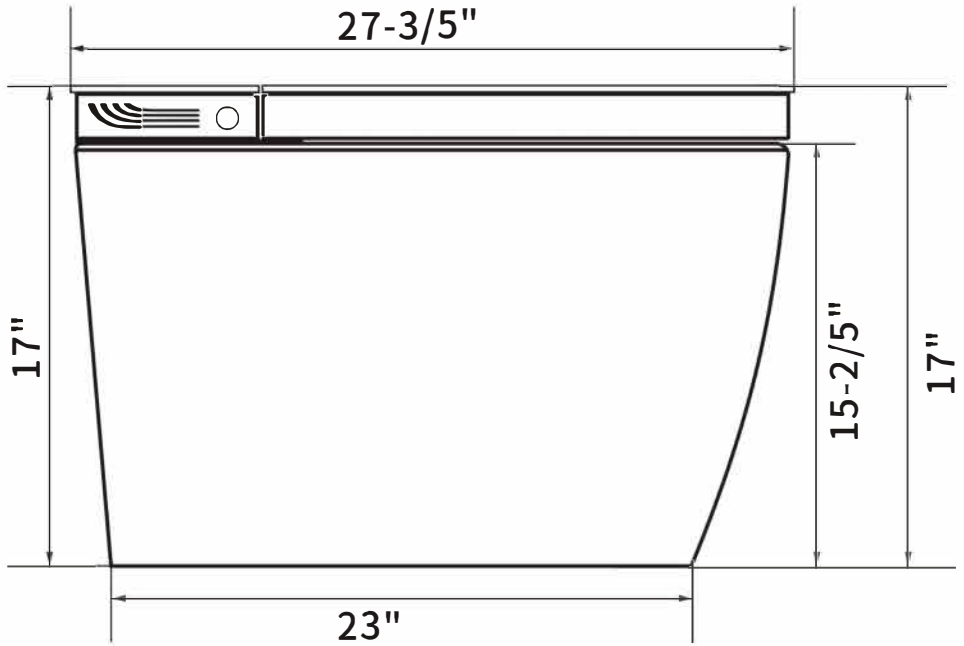


DANGER – Improper use of the grounding plug can result in a risk of electric shock.

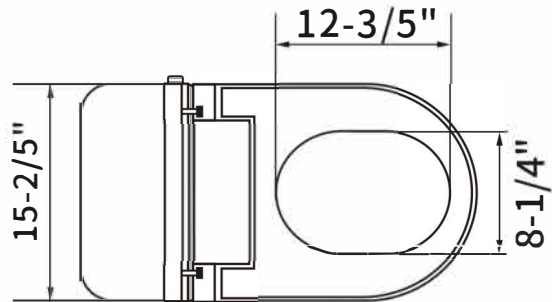
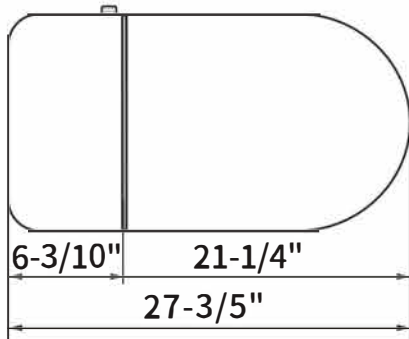
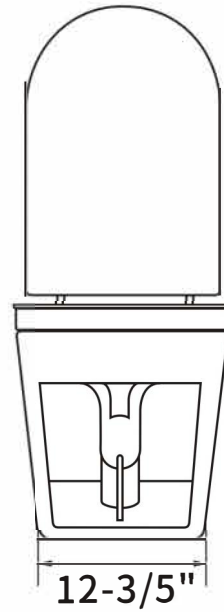
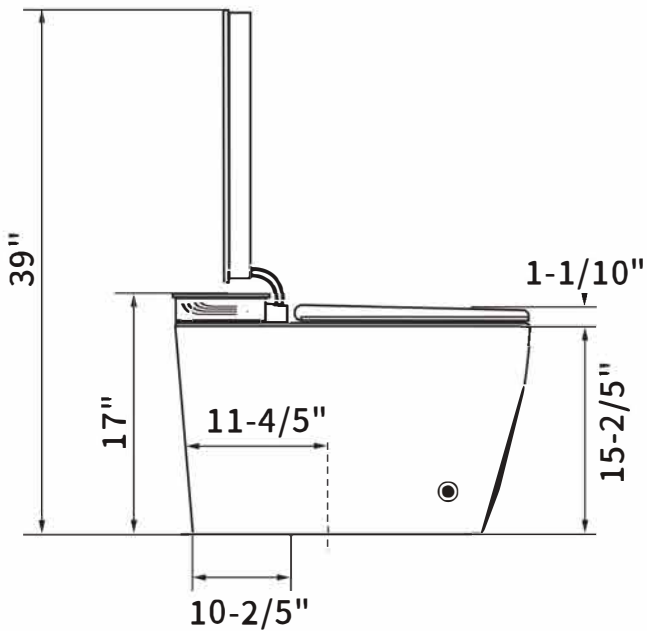
If repair or replacement of the cord or plug is necessary, do not connect the grounding wire to either flat blade terminal. The wire with insulation having an outer surface that is green with or without yellow stripes is the grounding wire.

This product is factory-equipped with a specific electric cord and plug to permit connection to a proper electric circuit. Make sure that the product is connected to an outlet having the same configuration as the plug. No adapter should be used with this product. Do not modify the plug provided — if it will not fit the outlet, have the proper outlet installed by a qualified electrician. If the product must be reconnected for use on a different type of electric circuit, the reconnection should be made by qualified service personnel.

| | | |
|------------------------|-------------------------------|---|
| Main Unit | Rating pressure | AC 110V-120V,50/60Hz |
| | Rating power 1 | 1 200W-1400W |
| | Water pressure range | Minimum water pressure 0.3MPa (20L/min. flow). Maximum water pressure 0.7 MPa (Hydrostatic pressure) |
| | Electrical wire | length is about 1.5m |
| Toilet | Flush volume | 6 L |
| | Flushing mode | Siphonic jet |
| | Rough in | 12" |
| | Outlet outside diameter | 3.5" |
| | Drainage method | Down- drain |
| Cleaning device | Heating power 1 | 1200W |
| | Water temperature | 4 different level adjustment |
| | Water volume | 4 different level adjustment |
| | Cleansing mode | Rear cleaning/Female cleaning/Massage cleaning |
| | Spray cleansing location | 3 different level adjustment |
| | Water pressure protector | Pressure stabilizer, Automatic pressure discharging |
| | Water pressure protector | Speedy water discharge device, Automatic cleansing nozzle, Anti-syphon device, Anti-backflow device, Filter device |
| | Ultraviolet self-cleaning | Seat Cover close the nozzle automatic stick out and open UV sterilization lasting 90 seconds |
| | Safety device | Temperature sensor, fail safe device, Bimetallic thermostat, Temperature fuse, Grounding protection, Leakage protector |
| Drying device | Warm wind speed | Over 4 M/S |
| | Warm wind temperature | 4 different level adjustment |
| | Heating power | 220W |
| | Safety device | Temperature sensor, Bimetallic thermostat, temperature fuse |
| Heated seat | Surface temperature | 4 different level adjustment |
| | Heating power | 35W |
| | Open and close device | Quiet soft-closing device, Auto open and close |
| | Heated burning protection | The seat temperature will automatically lower to level 1 in 10 minutes after using |
| | Safety device | Seat sensor, Temperature sensor, Bimetallic thermostat, Temperature fuse |
| Caring device | Night light assembly | Intelligent power saving, if nobody uses toilet, the night light will automatically off after 90 seconds, the screen automatically turn off. Using foot sensor system automatically open. |
| | Automatic flushing | Toilet will automatically flush as user walks away from bowl |
| | Auto lid open/close(optional) | Intelligent lid open/close or by remote controller |



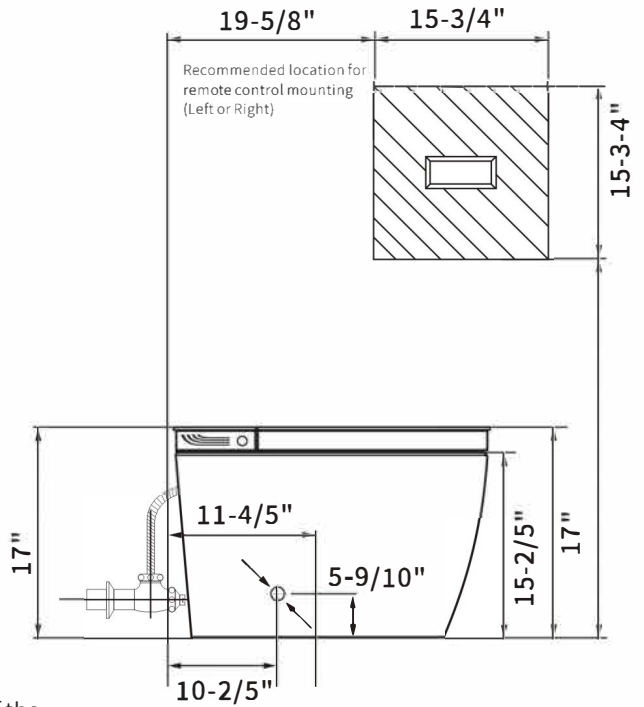
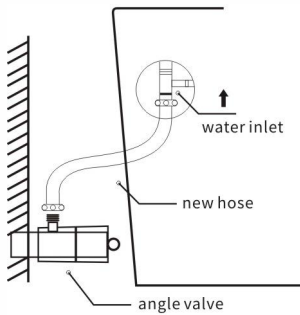
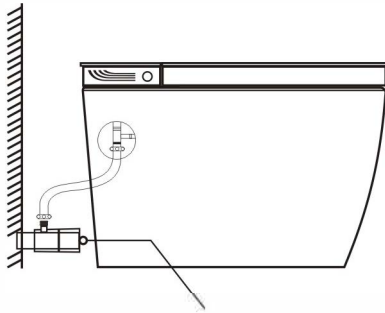
1. The product image is for reference only and may not accurately reflect the appearance of the actual product. We reserve the right to modify the appearance of the product without prior notice.
2. In the event of any changes to the appearance of the product, the actual product shall prevail over the product image.



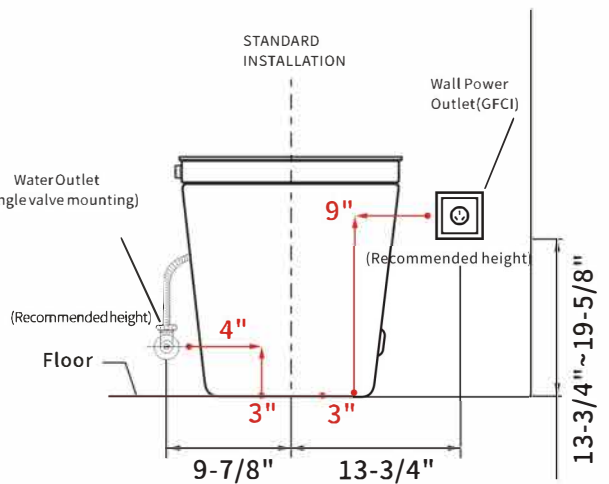
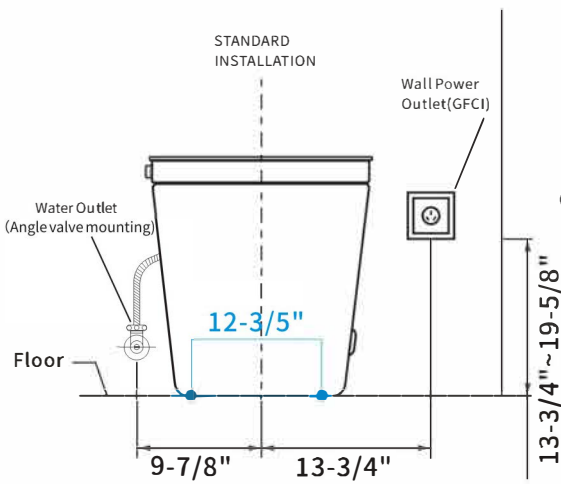
IMPORTANT INFORMATION

- Measurements are subject to a tolerance of +3/8" and may change without notice.
- Specifications and configurations are subject to change without notice.
- Please measure the toilet on-site before installation.
- Please note that the installer(s) must be certified, or the warranty will be voided.
- The measurements provided in this document supersede all others published prior to the publication date shown below.

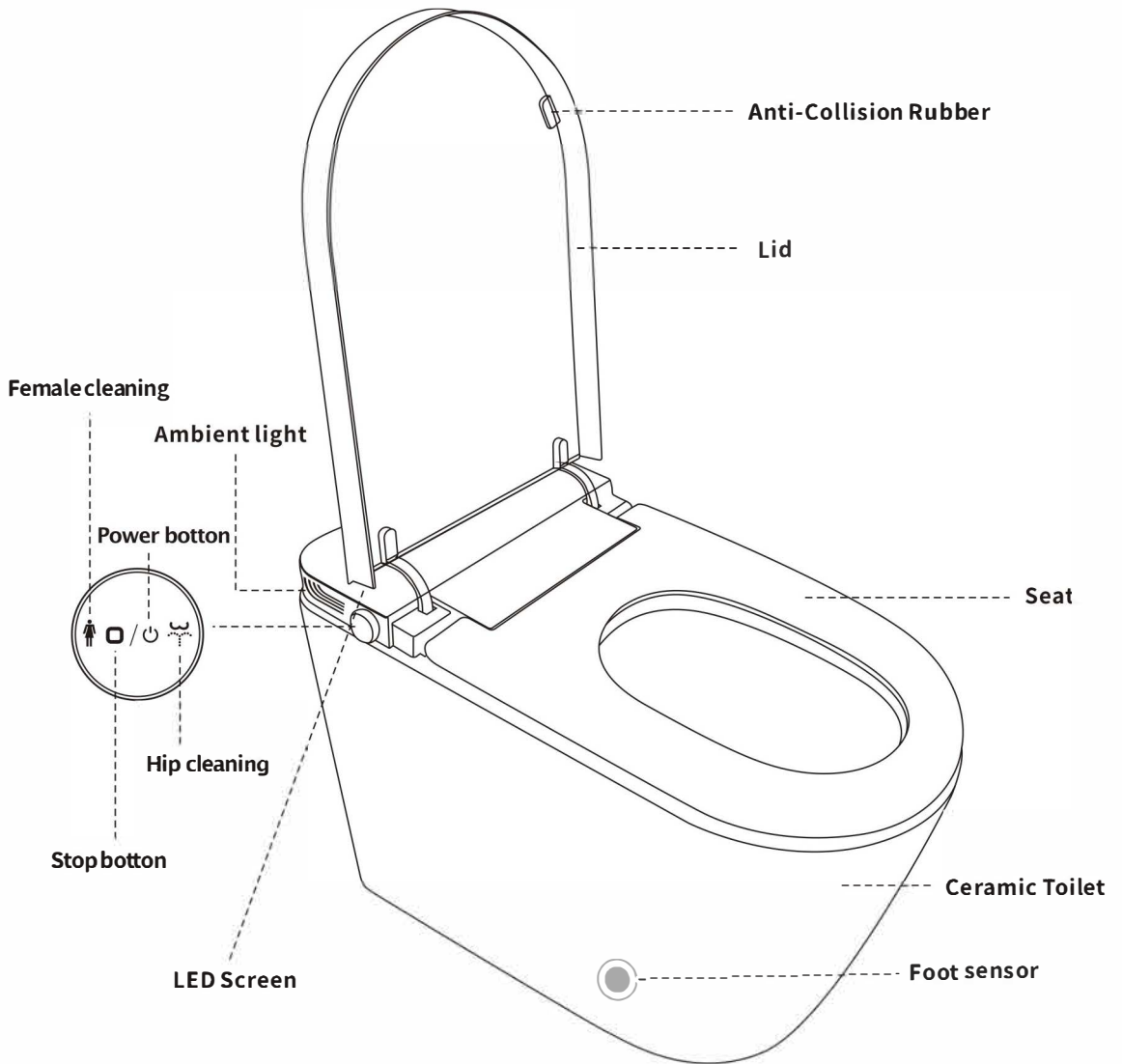
Installation Option



- Connect the water inlet and angle valve of the toilet with the matching hose and tighten it

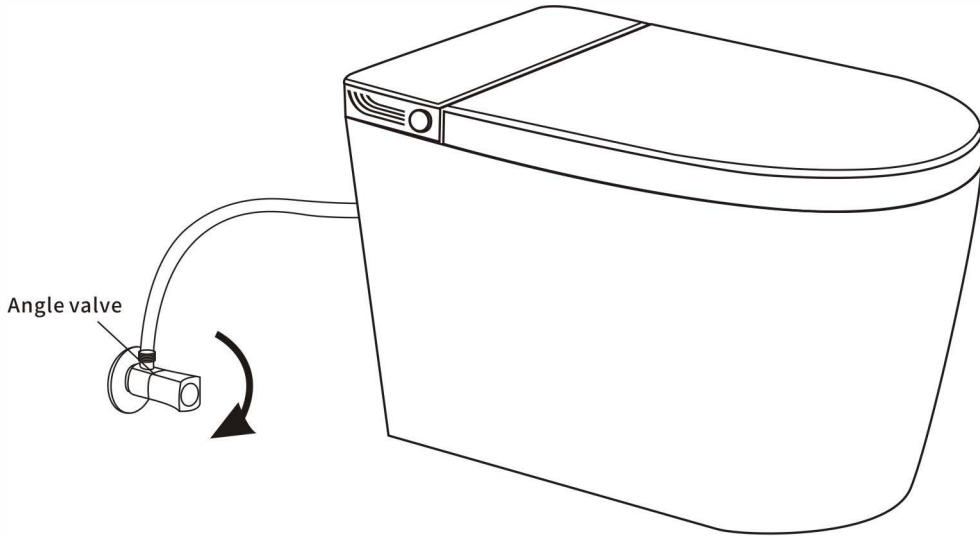


Overall sketch



Before Installation

1. Turn on the angle valve and check the thread connection to ensure there is no leakage.



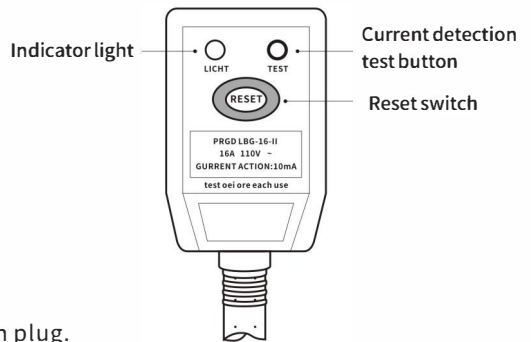
2. Power Connection

• Insert the power line leakage protection plug into the power socket, press the reset switch, and check that the plug indicator lights up, indicating that power is on.

Tips:

Press electric leakage test button prior to usage, the reset switch pops up indicating that the leakage protection function is normal.

Press the TEST button (then RESET button) every month to assure proper operation.



* Suitable for the product with a leakage protection plug.
* Please refer to the actual product manual for details.

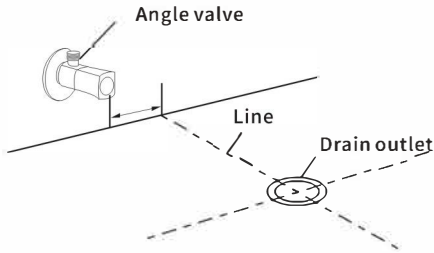
3. Self-inspection

1. The main unit buzzer rings first "click," and the power indicator (POWER) and energy-conservation indicator (ENERGY SAVER) flash. The power indicator lights on, and the energy-conservation indicator turns off to start self-inspection.
2. The main unit buzzer rings a second "click" to indicate the completion of self-inspection. The power indicator remains on, and the energy-conservation indicator remains off.
3. Start the function mode for normal usage.

Installation of ceramic toilet

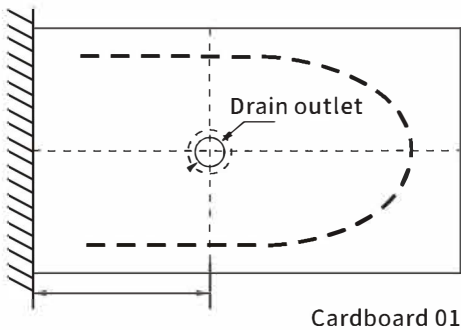
1. Water supply angle valve installation

- Draw the centerline of the drain outlet on the floor, and install the angle valve at the appropriate position on the wall according to the dimensions of the toilet. A position that is 10" off-center is preferred.



2. Cardboard installation

- Align the cardboard with the centerline of the drain outlet.
- Outline with a pencil or tape according to the cardboard. Please mark the position of flange bolts.
- Please mark the position of flange bolts.



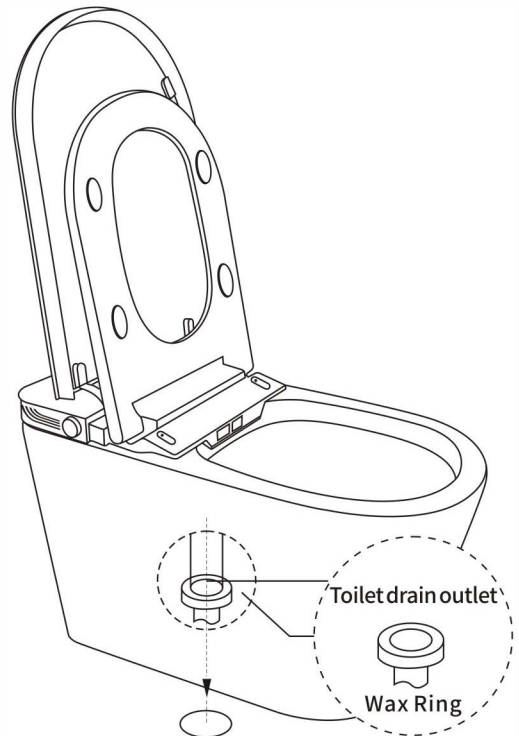
3. Mounting bracket installation

- Assemble the mounting L-bracket with bolts and then install them to the pre-installed flange plate on the ground, and tighten with nuts.



4. Ceramic toilet installation

- Install the wax ring onto the drain outlet of the toilet.
- Carefully lower the toilet into place directly according to the outline position.

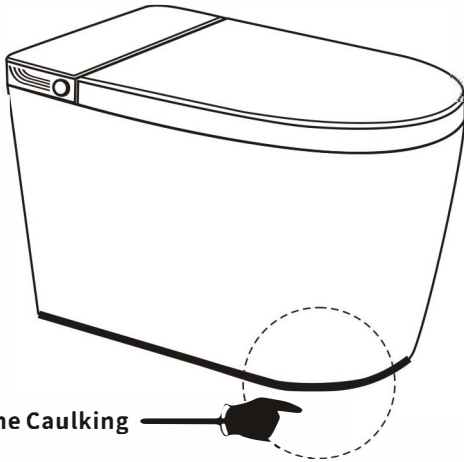


Attention:

This toilet is recommended to be lifted by a team and the seat should be in the open position to aid in installation.

5. Silicone caulking application

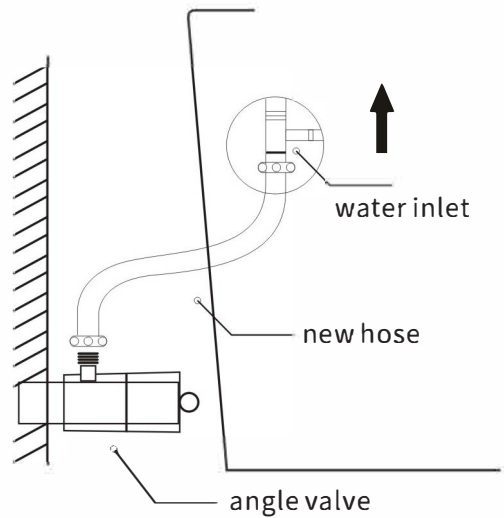
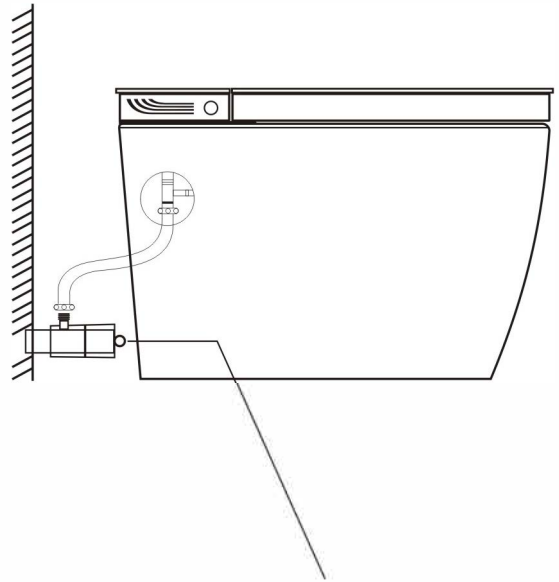
- Apply Silicone caulking to the edge of toilet base, wipe away any excess.



- Note:
Please clean the drain outlet;
Please make sure ceramic toilet outlet sits perfectly on drain outlet.

6. Installation of hose

- Connect water inlet and angle valve with new hose.



Daily maintenance

Main unit care and maintenance

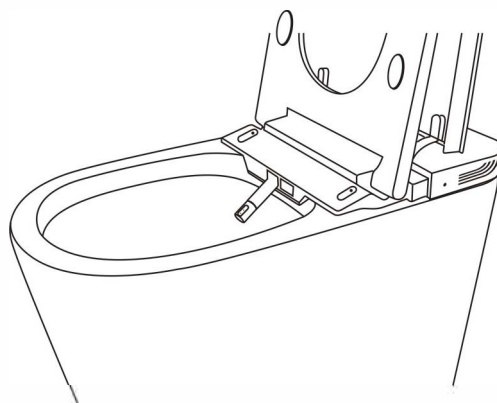
1. Shut off power supply before maintenance.
2. Lift the seat upward, press down the button located on the right side of the main unit and pull out the seat. Wipe the stains with a soft damp cloth.



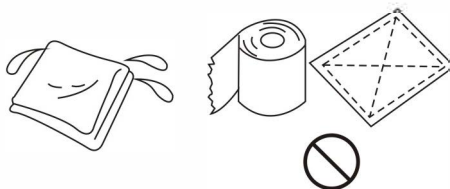
3. Safety self-inspection:
After cleaning, reconnect the toilet with the power supply.
Spray nozzle maintenance and care
4. Spray nozzle maintenance and care:

Spray nozzle maintenance and care

1. Nozzle self-cleaning: Press the "nozzle cleaning" button, and the nozzle will move forward and self-clean.
2. Spray nozzle disassembly:
When the wand moves forward, the nozzle can be disassembled for cleaning.



3. Use a soft cloth or soft brush to clean.
Do not pull or push the wand to avoid damage.

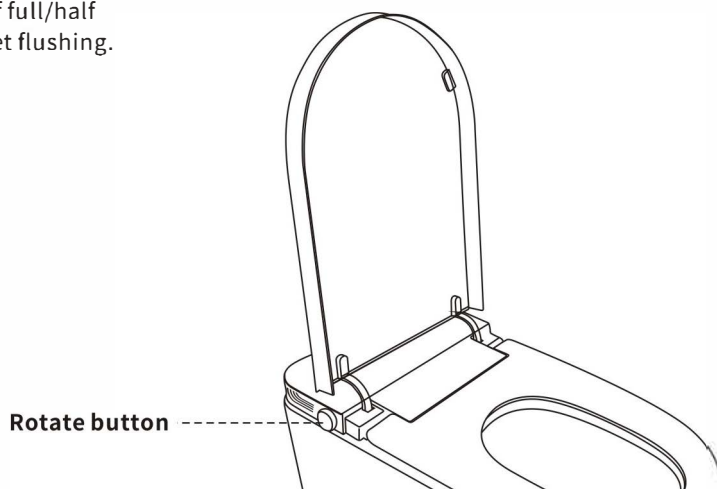


4. Nozzle assembly:
Reinstall the nozzle to the wand and press the "nozzle cleaning" button.
The nozzle will move back to the original position.

Emergency Troubleshooting

1. Power failure

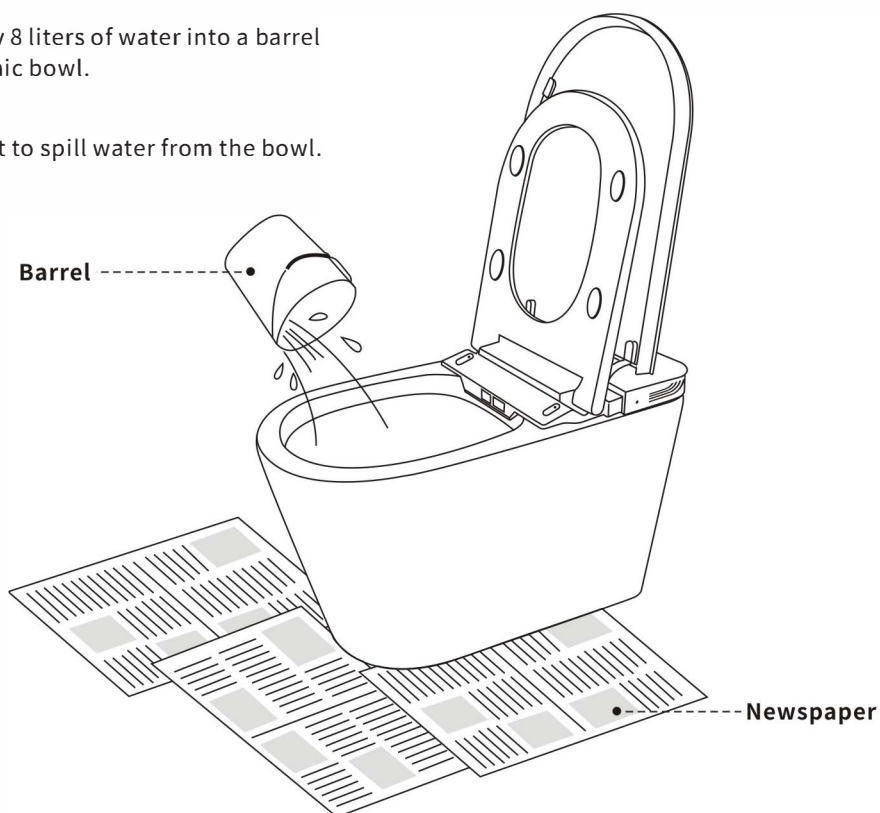
- Manually press button of full/half flush to perform the toilet flushing.



2. Water failure

- Pour approximately 8 liters of water into a barrel and flush the ceramic bowl.

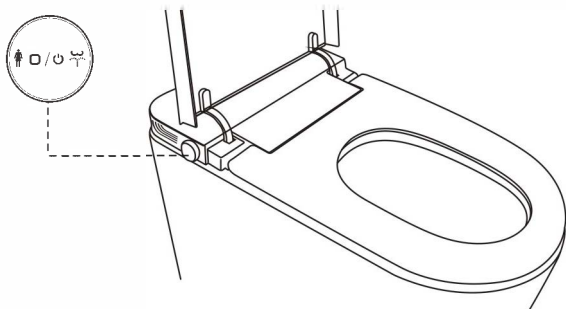
Note: Be careful not to spill water from the bowl.



Failure of remote contro

1. Operate the panels on bidet seat to perform.

2. Turn the seat upward open, press down the button located on the right side of main unit and pull out the seat. Wipe the stain with a soft damp cloth.



2. Battery replacement

- Press the “power” button on panel and electricity indicator will turn off
- Take remote control from hanger
- Remove the remote control from the hanger, open the battery cover, replace the battery, and put it back on the hanger.
- Press the “power” button again and electricity indicator will turn on.

Remarks: When replacing the battery, the automatic function and timing function will be cancelled and need to be reset.

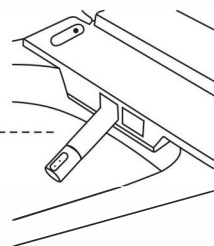
When the product is left unused for a long time

- Especially during the winter season the water inside the tank should be drained to avoid freezing.

To discharge water

1. Turn off the water supply angle valve
2. Cut off the electricity
3. Discharge water

- Slightly press inward the discharging button to discharge water.



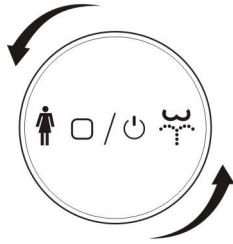
4. Handle the remaining water in bow

- It is suggested to put some antifreeze into water inside the bowl.



Note: Before water discharging, the power must be cut off!

The illustration of main unit keys



Swift to “” :Start female cleaning






Swift to “” : Start hip cleaning

- Press one time start flushing

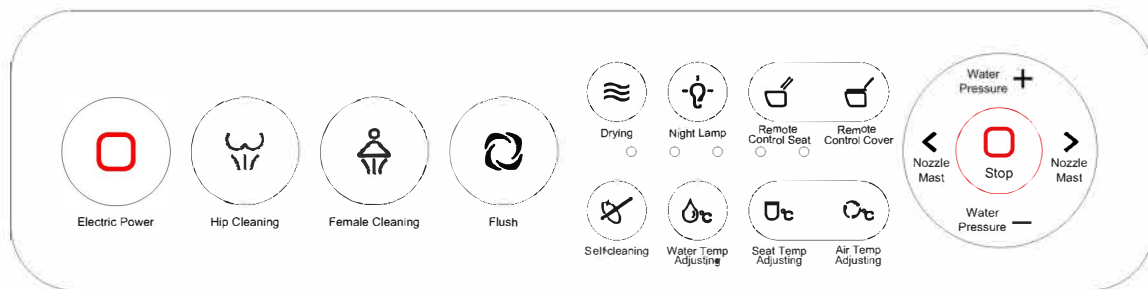
- Press button last 5 seconds turn off the toilet ,restart the toilet.












Screen Sign



| | |
|---|--|
|  | <ul style="list-style-type: none"> • The sign keep flashing when use drying function, • Stop drying the sign light without flashing. |
|  | <ul style="list-style-type: none"> • The sign keep flashing when adjusting the water temperature • Stop water adjusting the sign light without flashing |
|  | <ul style="list-style-type: none"> • Watertemperaturedegree,seattemperaturedegree,wind temperature degree display with number |
|  | <ul style="list-style-type: none"> • The sign keep flashing when Person seat on toilet , • Person leave the signal light without flashing |
|  | <ul style="list-style-type: none"> • The sign keep flashing when the lid or seat cover open . • Lid and seat cover close ,signal light without flashing. |


Remote Control Key Schematic



| | | |
|---|-----------------------------|--|
|  | Electric Power | <ul style="list-style-type: none"> “Electric Power” can be turned on/off by long-press of this key |
|  | Hip Cleaning | <ul style="list-style-type: none"> Press "Hip cleaning" button, the water will come out to clean the hip portion of body. Press one time,hip cleaning ,press second time hip massage,press third time nozzle clean in one position. It will automatically stop after 90 seconds of cleaning. If press "stop" or "power" button when using, the function will stop immediately. |
|  | Female Cleaning | <ul style="list-style-type: none"> Press "Female" button, the water will come out to clean the front portion of body. Press one time,Female cleaning ,press second time female massage press third time nozzle clean in one position. It will automatically stop after 90 seconds of cleaning. If press "stop" or "power" button when using,the function will stop immediately. |
|  | Flush | <ul style="list-style-type: none"> “Press "Flush" button to activate full flushing |
|  | Drying | <ul style="list-style-type: none"> Press "Drying" button start drying, If press “Drying” , "stop" or " power" button when using, the function will stop immediately. |
|  | Night Lamp | <ul style="list-style-type: none"> Press "Night light" button turn on the night light ,press once again will turn off immediately. |
|  | Remote Control Seat | <ul style="list-style-type: none"> Press” Remote control cover “, cover open,press once again , cover close |
|  | Remote Control Cover | <ul style="list-style-type: none"> Press” Remote control seat “, seat cover open , press once again , seat cover close |
|  | Self-cleaning | <ul style="list-style-type: none"> Press” Self -cleaning “,nozzle comes out and water come out cleaning the nozzle. |
|  | Water Temp | <ul style="list-style-type: none"> Press “Water Temp Adjusting” change water temperature in Fahrenheit degrees Celsius Nozzle close: 00F, Press one time : 88F ,Press second time: 93F, Press thrid time: 99F |
|  | Seat Temp Adjusting | <ul style="list-style-type: none"> Press “Seat Temp Adjusting” change seat temperature in Fahrenheit degrees Celsius Seat heating close :00F ,Press one time : 88F ,Press second time: 93F, Press thrid time: 99F |

| | | |
|----|---------------------------|---|
| °C | Air Temp Adjusting | <ul style="list-style-type: none"> • Press “Air Temp Adjusting” change drying wind temperature in Fahrenheit degrees Celsius • Nozzle close: 00F, Press one time : 88F ,Press second time: 93F, Press thrid time: 99F |
| + | Water Pressure | <ul style="list-style-type: none"> • Press “Water pressure+” increase the water pressure |
| - | Water Pressure | <ul style="list-style-type: none"> • Press” water pressure-” reduce the water pressure |
| > | Nozzle Mast | <ul style="list-style-type: none"> • Press “>Nozzle Mast” increase the water pressure for massage function. |
| < | Nozzle Mast | <ul style="list-style-type: none"> • Press” <Nozzle Mast” reduce the water pressure for massage function. |

Troubleshooting Guide

| Problem | Cause | Cause |
|---|--|---|
| No flushing | water supply hose buckling causes block | solve the buckling |
| | fill valve is off | turn on the fill valve |
| | Water supply is cut off | Connect water supply and wait for the water |
| Poor flushing | Water supply hose buckling causes partial block | Solve the buckling |
| | Fill valve is not fully turned on | Fully turn on the fill valve |
| | Filter is dirty and causes block | Clean the filter |
| The water is not hot | The water temperature is setted on normal temperature level | Reset the water temperature |
| Seat temperature is not hot | The seat temperature is setted on normal temperature level | Reset the seat temperature |
| | In standby mode | Shift to function mode for 3 minutes |
| Wind temperature is not hot | The wind temperature is setted on normal temperature level | Reset the seat temperature |
| No wind out | In standby mode or power save mode | Shift to function mode to use dry function |
| spray wand cannot retracted | Power off | Push back the wand lightly and wait for the power |
| | Get stuck by impurities | Clear away the impurities |
| Spray wand cannot stretch out | Power off | Push back the wand lightly and wait for the power |
| | Do not sit in sensing area | Sit right in the sensing area |
| Controller cannot display | Reverse the polarity of battery | Reload the battery |
| Controller Not Work | Power conect | |
| | Switch the round button on the right side to "Hip washing lasting for 4 seconds without leaving" mode and press any button on the controller at the same time. The controller will successfully connect with the smart toilet when you hear the sound "Beep~". Then, the controller can be used for all functions. | |
| | If the controller still does not work, please refer to the details and try the above instructions again. | |
|  Caution | If the problem cannot be solved using the above methods, please turn off the power and contact the service provider for maintenance. | |
| | If the leakage circuit breaker trips frequently, it means that the product has an electricity leakage, so please turn off the power and contact the service provider for maintenance. | |

Product Limited Warranty

| | | | |
|---------------------------|--|---------------------------|--|
| Model No: | | Customer Name: | |
| Seller: | | Purchasing Date: | |
| Invoice No: | | Customer contact: | |
| Distributor Stamp: | | Distributor Phone: | |

Thank you for choosing our product. This product is warranted for one (1) year since the purchasing date for free repair of problems arising out of defects in workmanship while using it in accordance with the installation manual and usage instructions for intended purposes.

If the product does not work properly within the warranty period, please contact your nearest service center. This certificate must be presented to obtain free service under this warranty. Our company reserves the right to replace the product with other similar models. Our company reserves the rights to replace the product by other similar models.

We can serve to fix or repair the product at a reasonable service charge, after We can also serve to fix or repair the product at a reasonable service charge after the expiration of the warranty period. Service charges shall be paid even during the warranty period if breakage or damage is caused by any of the following events (including but not limited to):

- 1.The user's negligence or mistake in operation, unreasonable repair or alteration.
- 2.Damage caused during installation due to negligence or mistakes.
- 3.The movement of the installed location of the product.
- 4.Using the product outside of its intended use in residential housing or commercial hotels.
- 5.The use of non-specified power supply (voltage, rating pressure).
- 6.The presence of dirt, sand and impurities that cause invalid operation.
- 7.Damages due to force majeure (including but not limited to natural disasters) or other incidents.
- 8.The user fails to use the product in compliance with the warning or caution described in the installation manual.

Remarks:

Please make sure to fill in the date and seller information correctly. If there are any mistakes the warranty will become invalid.

This one-year warranty for free repair service only applies to the items listed in the warranty. The purchase date is subject to the date indicated on the purchase invoice or receipt.

Please keep this warranty and the purchase invoice/receipt available for repair or maintenance purposes.