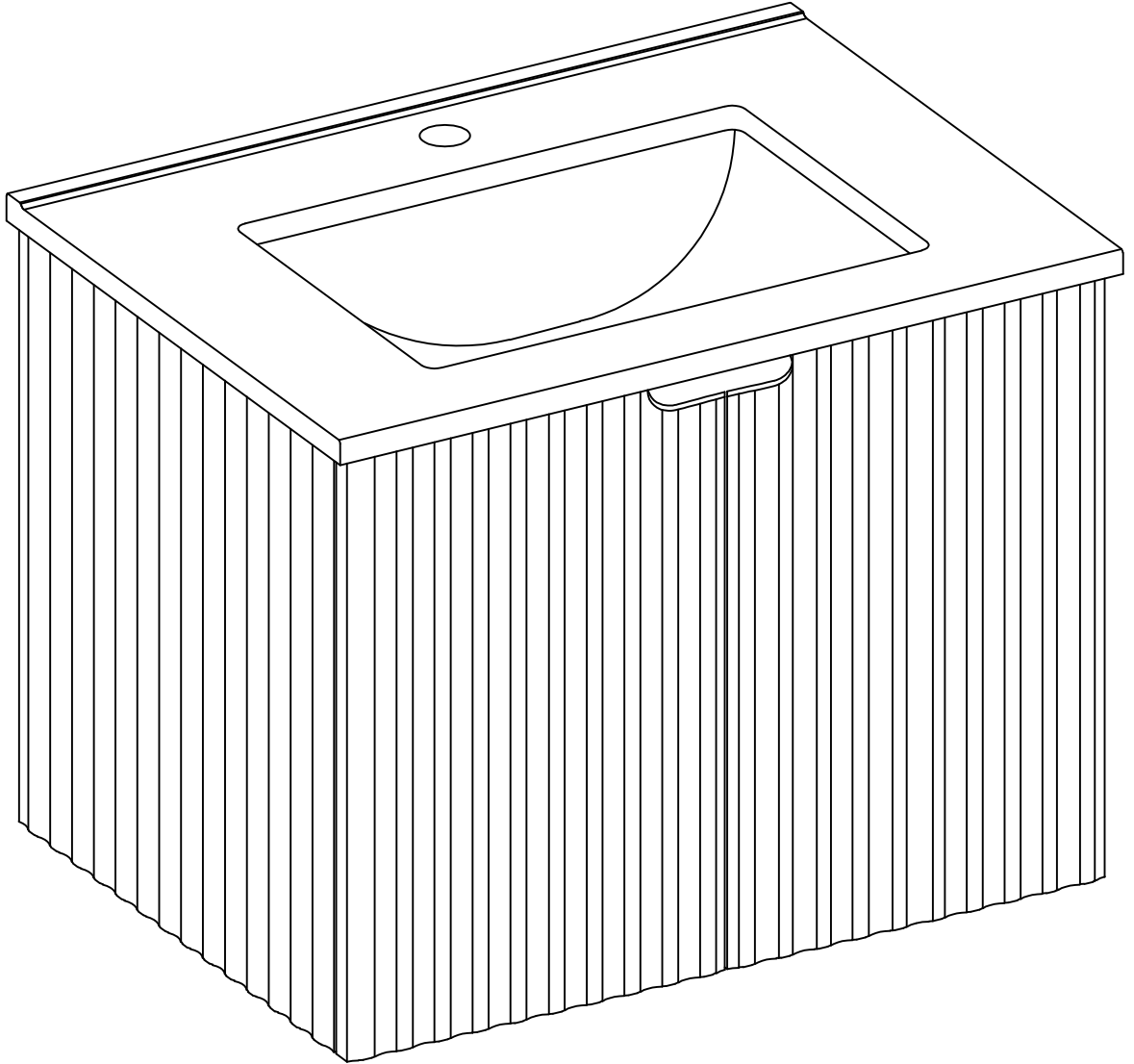


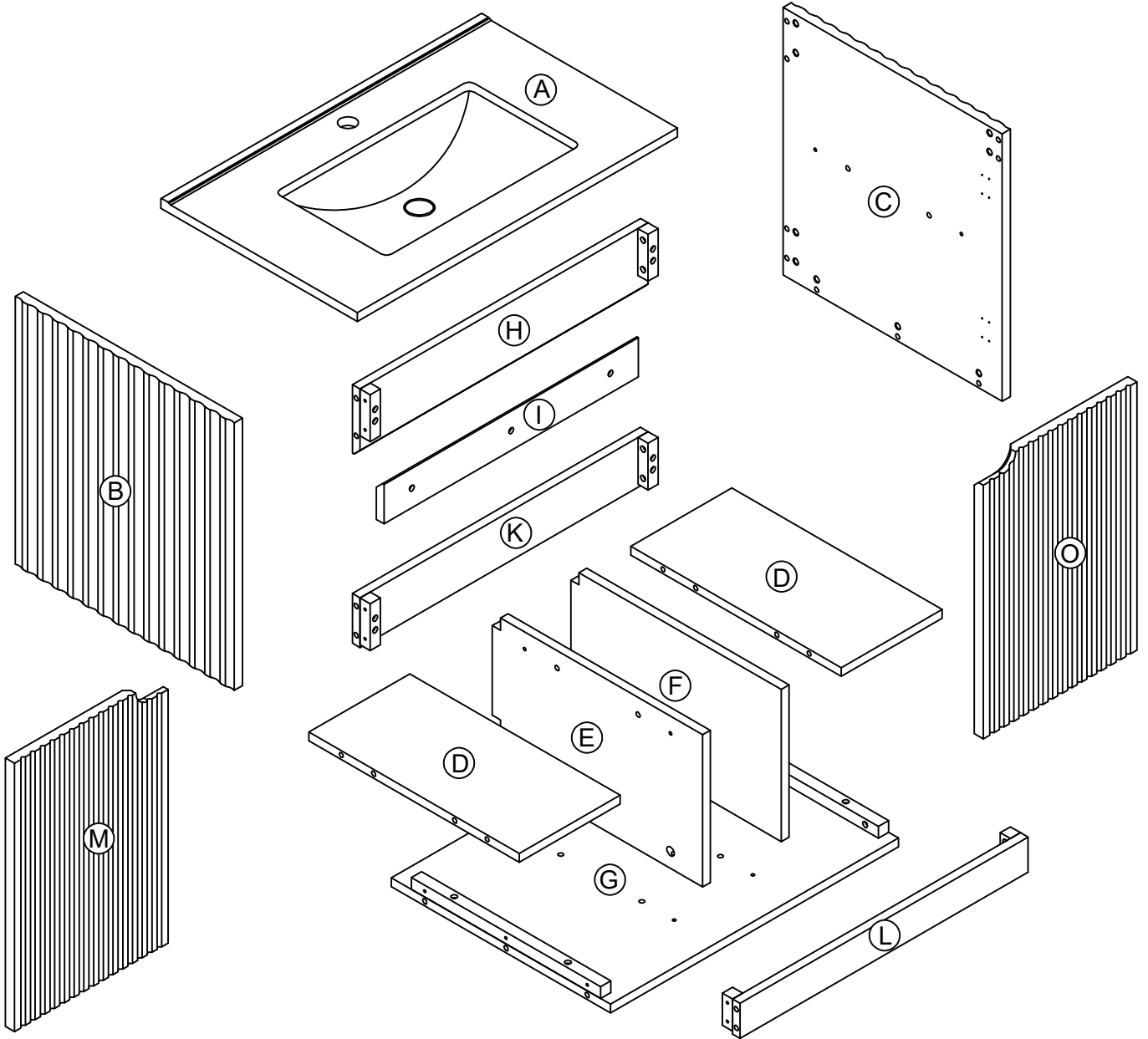
Singer Bathroom Vanity

CXY2355-01

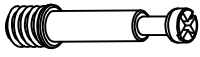

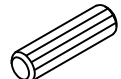
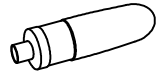


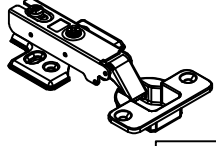
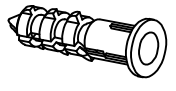
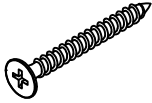
CXY2355-02



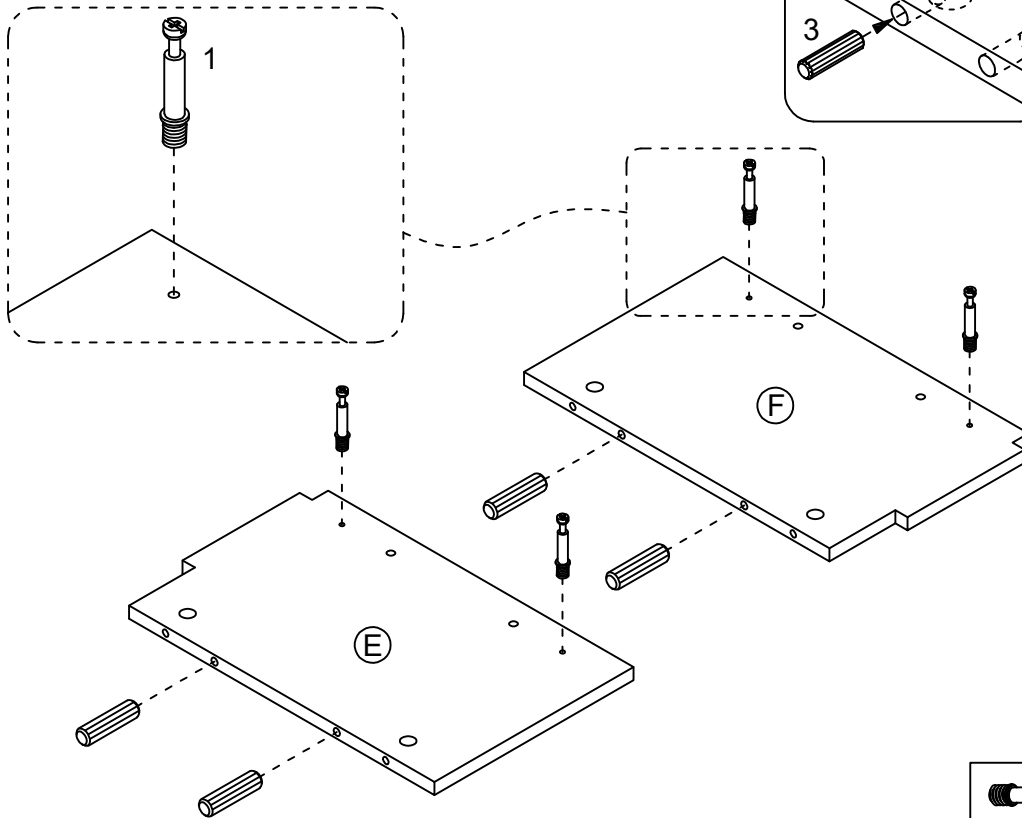
PACKAGE CONTENTS



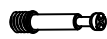


PART	DESCRIPTION	QTY	PART	DESCRIPTION	QTY
A	Sink	X1	H	Back Upper Rail	X1
B	Left Side Board	X1	I	Wall Bracket	X1
C	Right Side Board	X1	K	Back Lower Rail	X1
D	Side Shelf	X2	L	Front Upper Rail	X1
E	Left Middle Wall	X1	M	Left Door	X1
F	Right Middle Wall	X1	O	Right Door	X1
G	Base	X1			

<p>1</p>  <p>Ø6*35mm 12+1PCS</p>	<p>2</p>  <p>Ø15*9mm 12+1PCS</p>	<p>3</p>  <p>Ø6*30mm 30+2PCS</p>	<p>4</p>  <p>1PCS</p>
<p>5</p>  <p>M6*25mm 18+1PCS</p>	<p>6</p>  <p>Ø3.5*12mm 24+2PCS</p>	<p>7</p>  <p>4PCS</p>	<p>8</p>  <p>3PCS</p>
<p>9</p>  <p>Ø4*45mm 3PCS</p>			

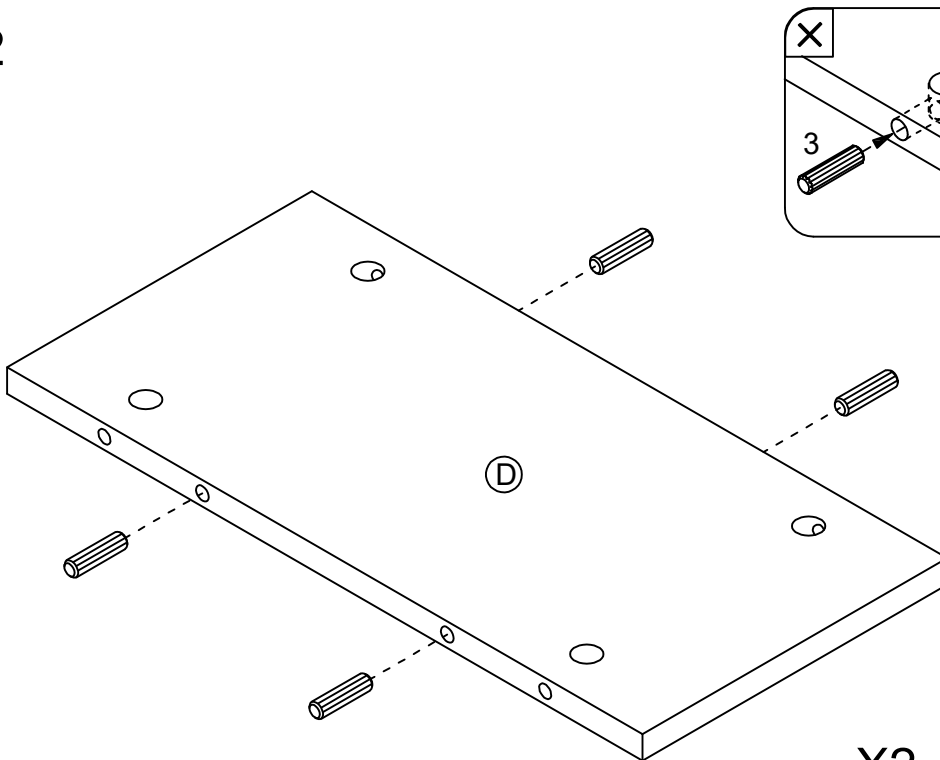
STEP1



Glue the wood dowels 3 into the inner holes on the front upper rail E and F .
 NOTE: It is very important to use a small amount of glue 4 on ends of dowels and wipe away excess glue immediately.



	1 x 4pcs
	3 x 4pcs
	4 x 1pcs

STEP2

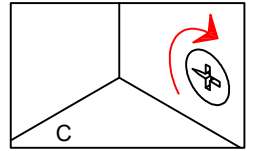
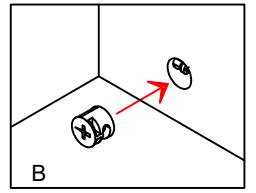
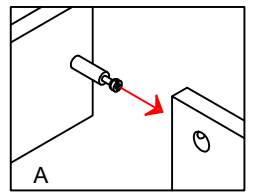
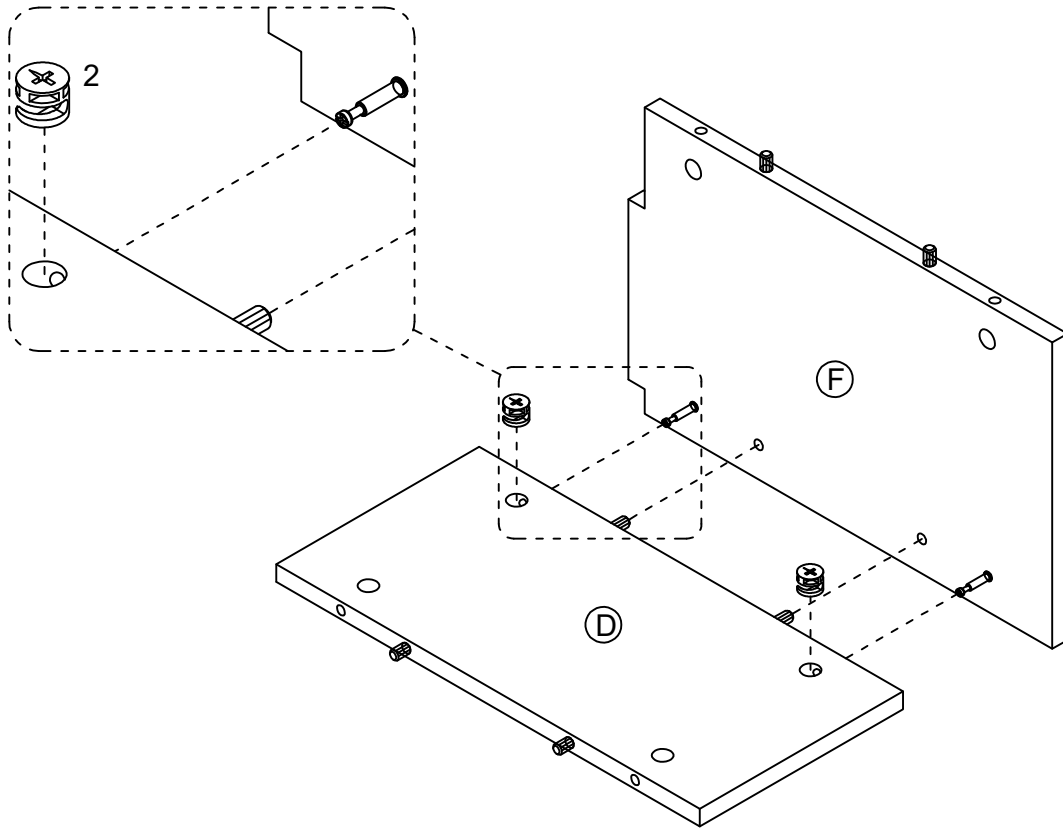



X2

Glue the wood dowels 3 into the inner holes on the side panels D.
 NOTE: It is very important to use a small amount of glue 4 on ends of dowels and wipe away excess glue immediately.

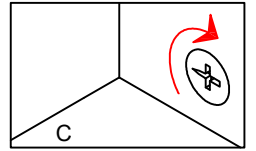
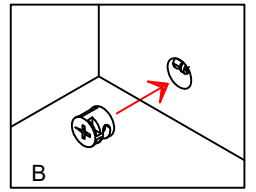
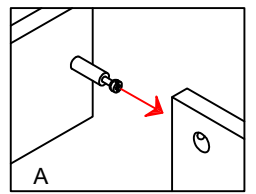
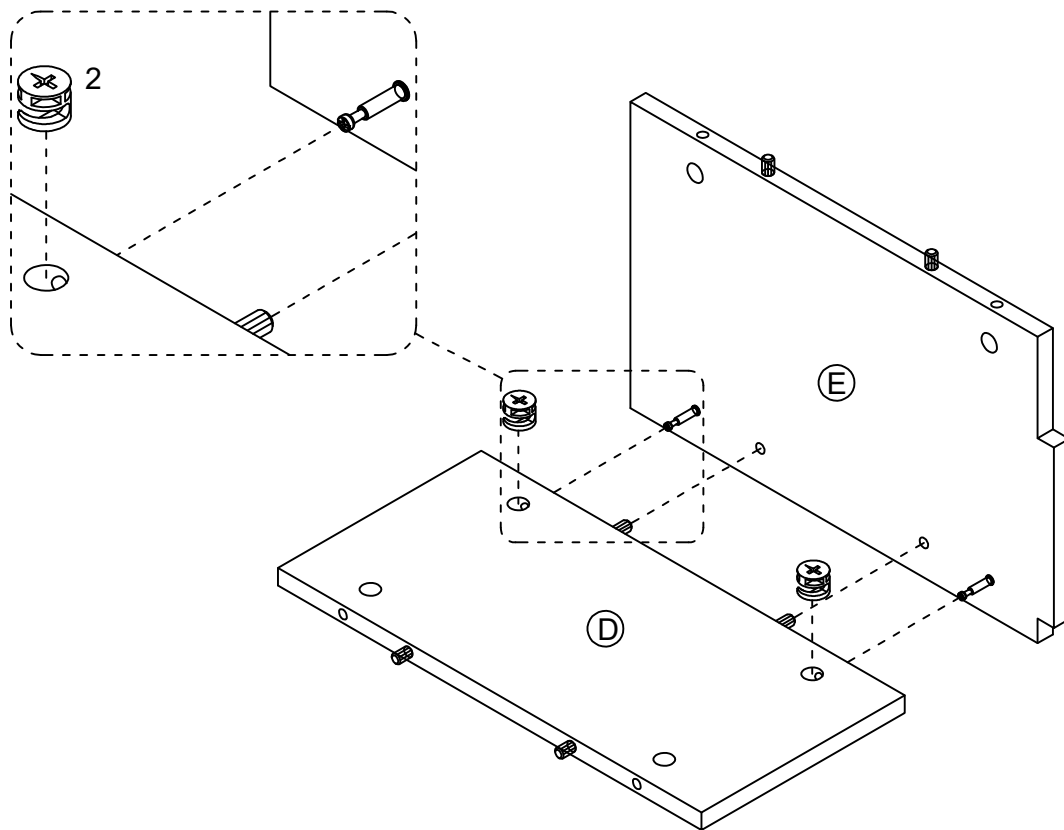
	3 x 8pcs
	4 x 1pcs


STEP3



 2 x 2pcs

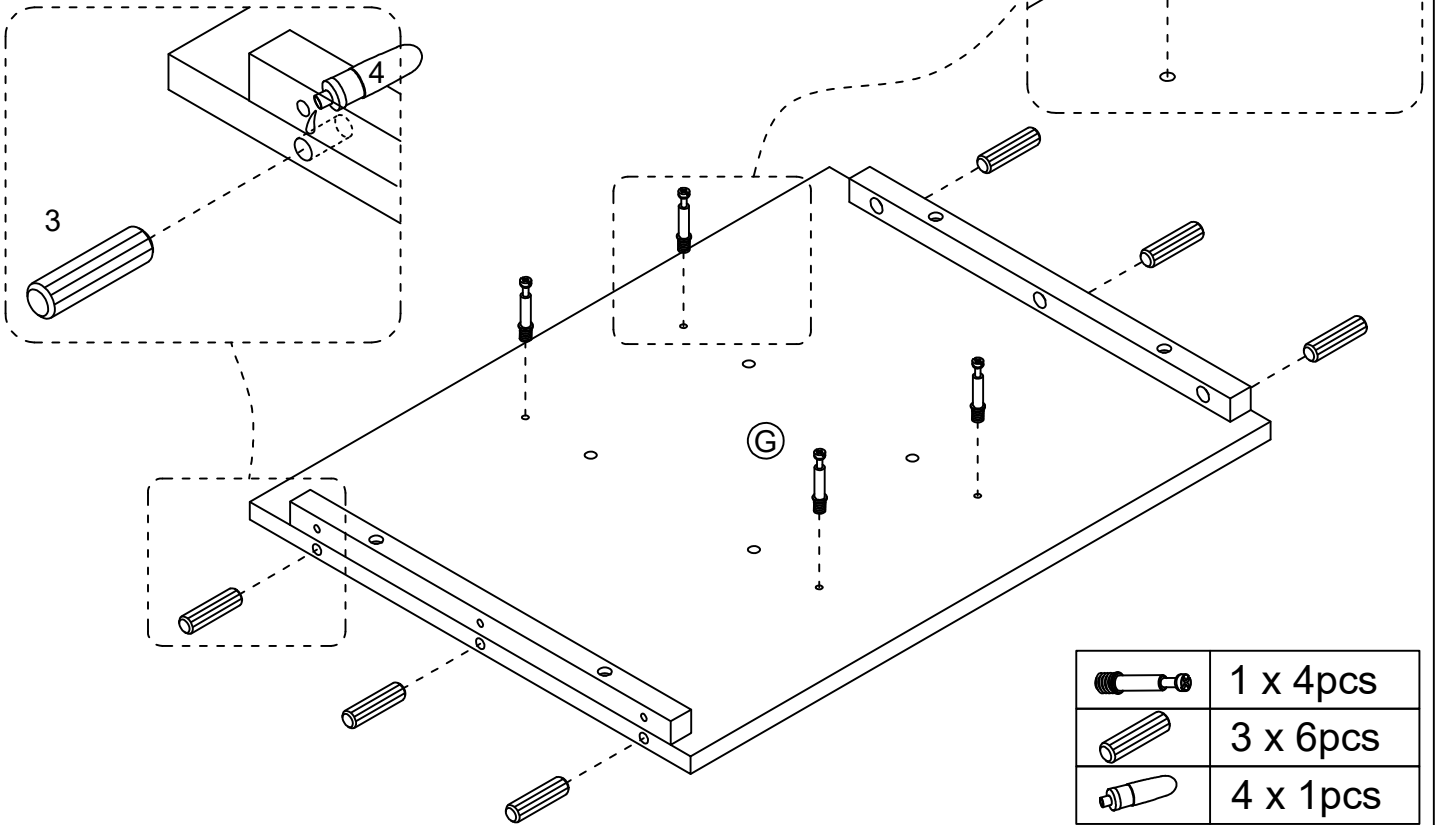
STEP4



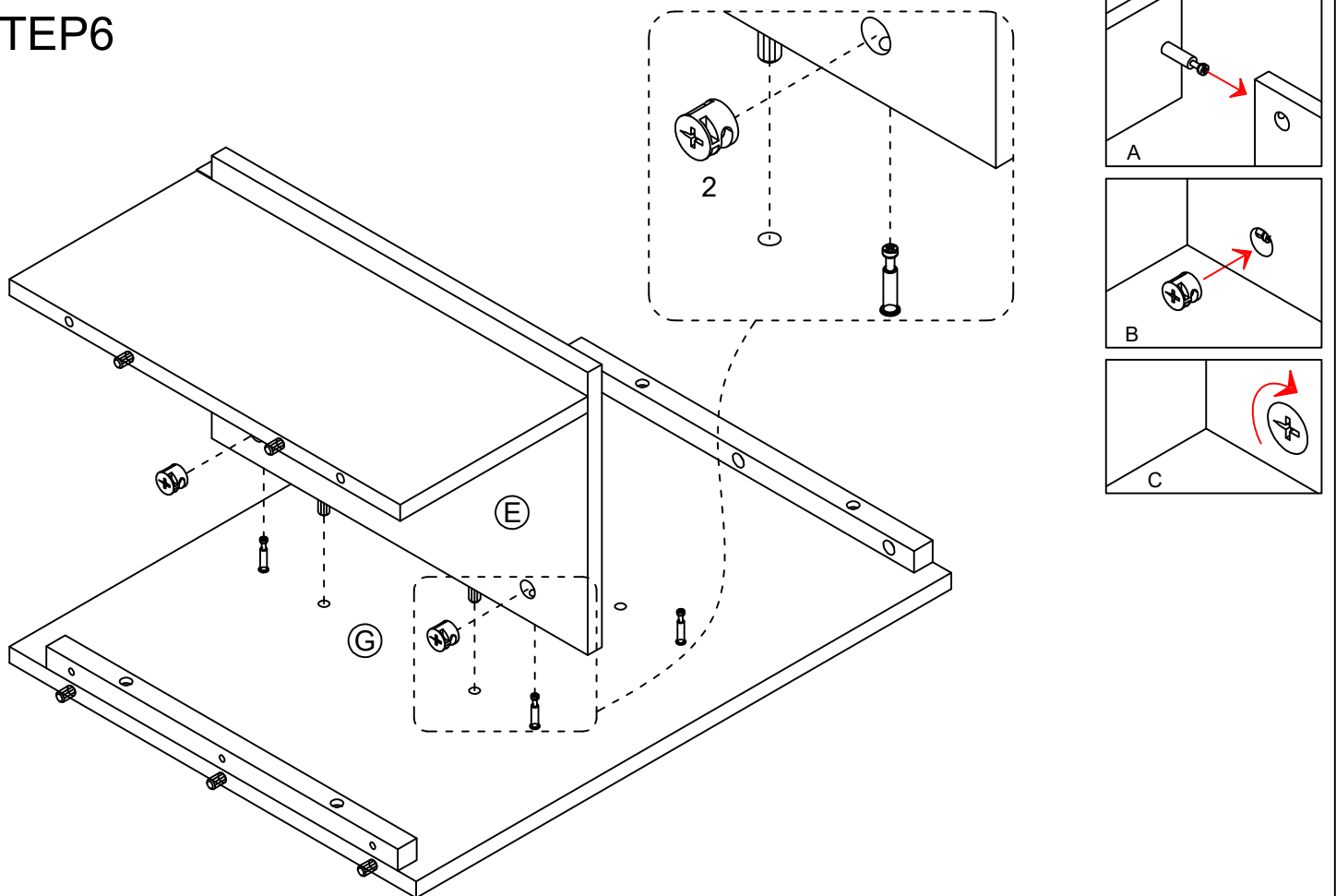
 2 x 2pcs


STEP5

Glue the wood dowels 3 into the inner holes on the side panels G.
 NOTE: It is very important to use a small amount of glue 4 on ends of dowels and wipe away excess glue immediately.

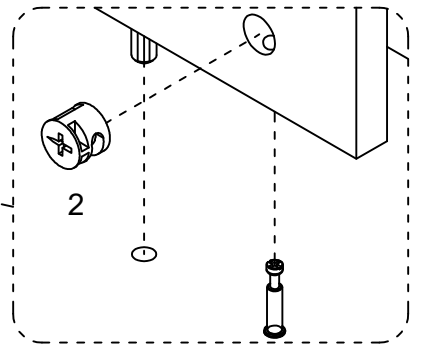
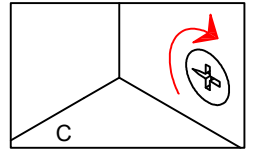
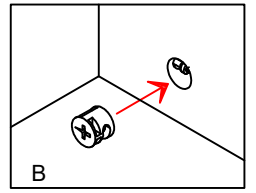
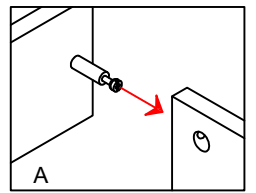
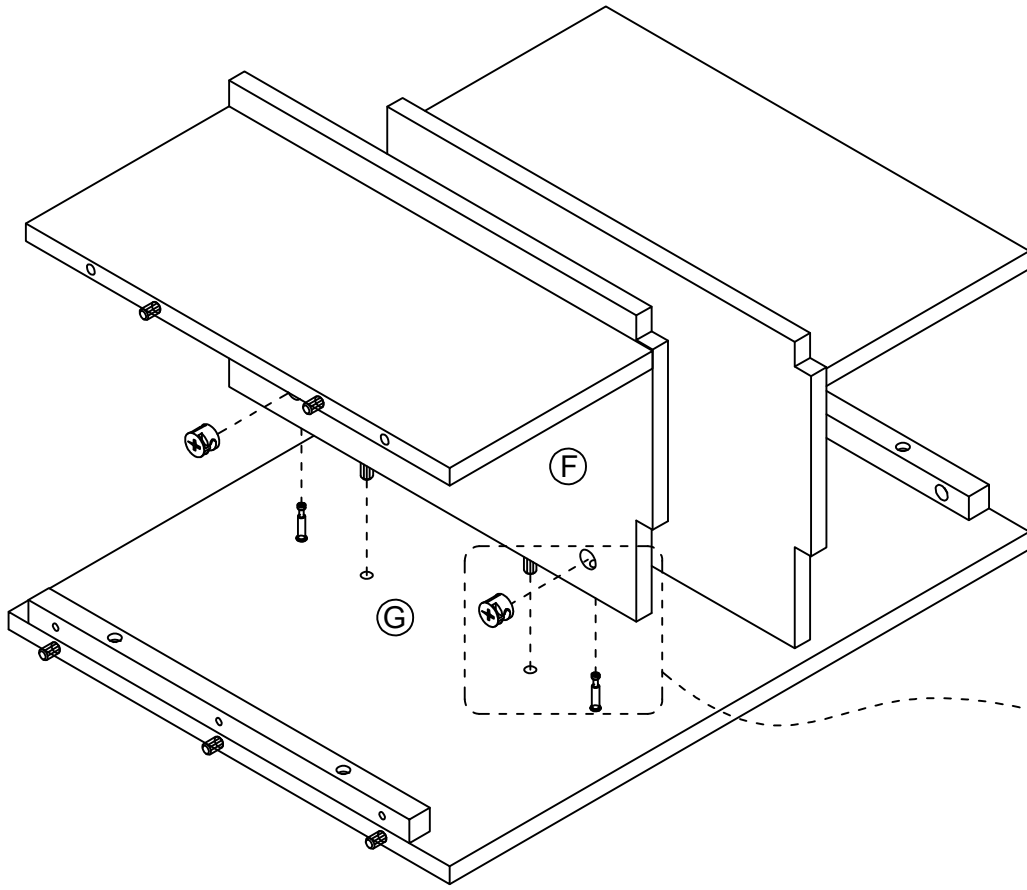



STEP6



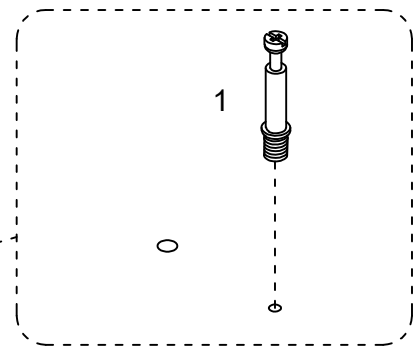
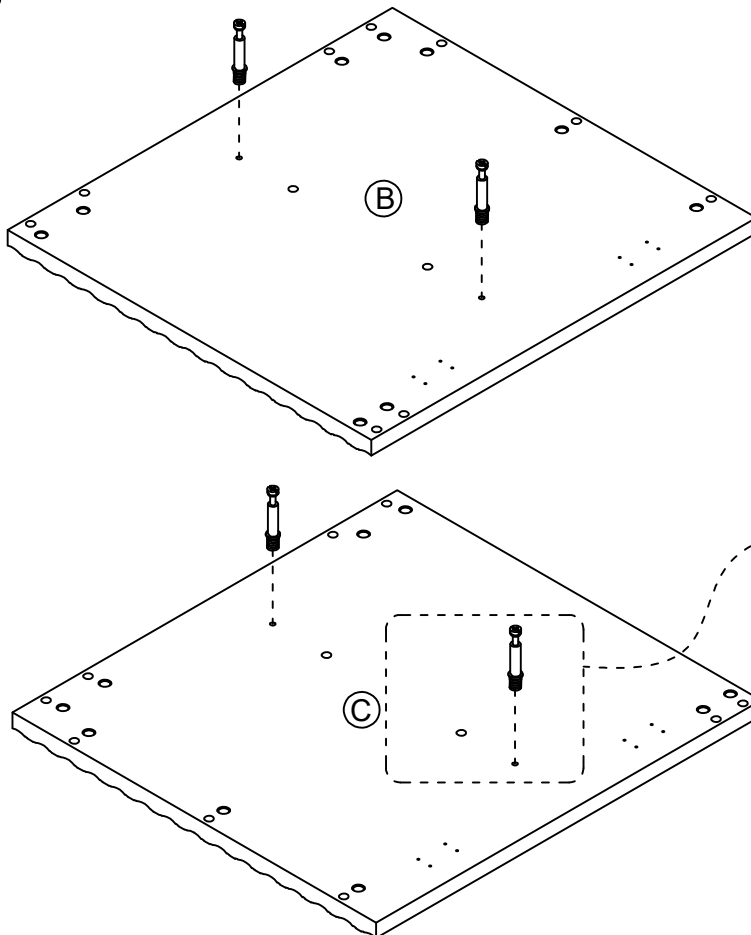
	2 x 2 pcs
---	-----------

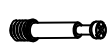
STEP 7



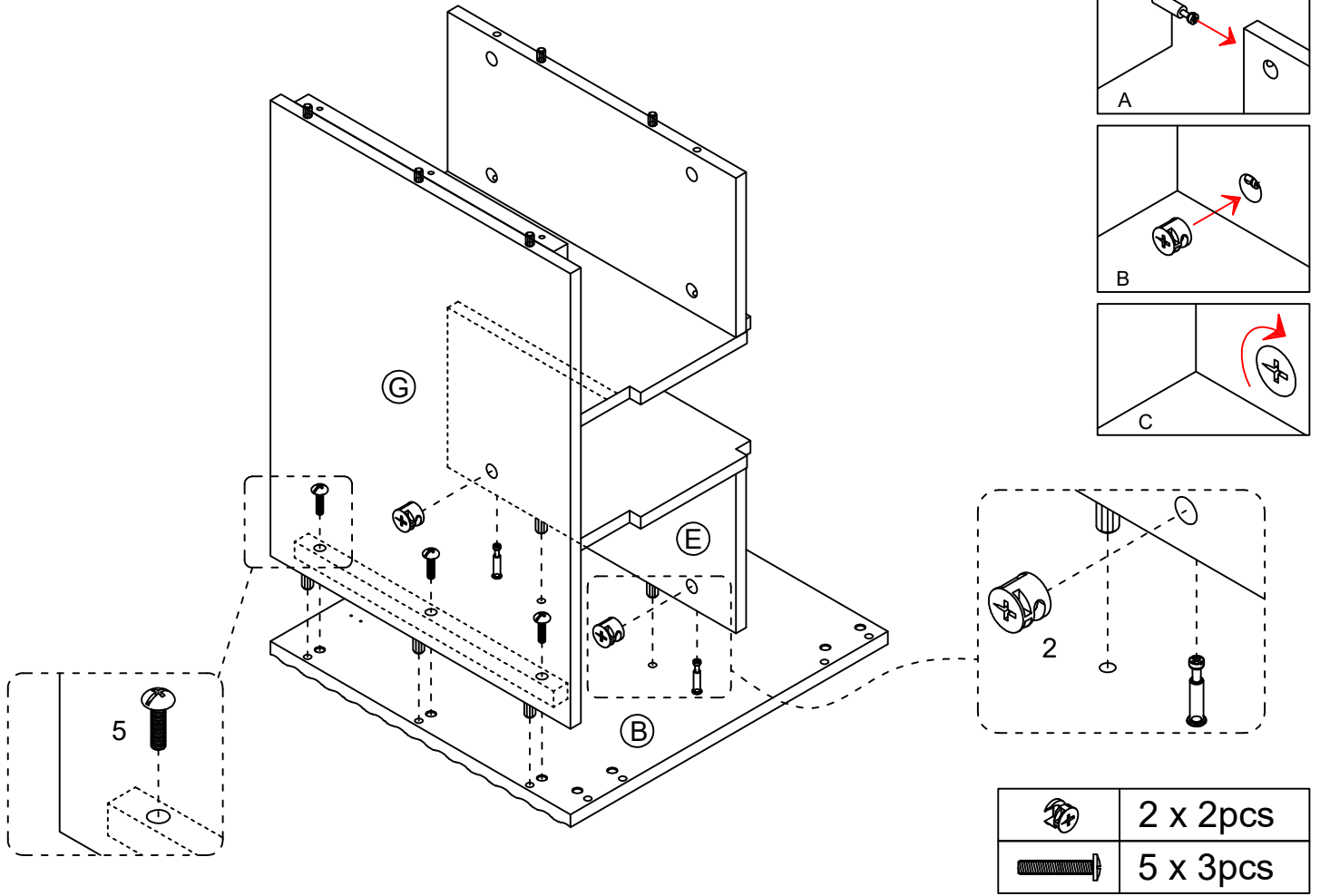
 2 x 2 pcs

STEP 8

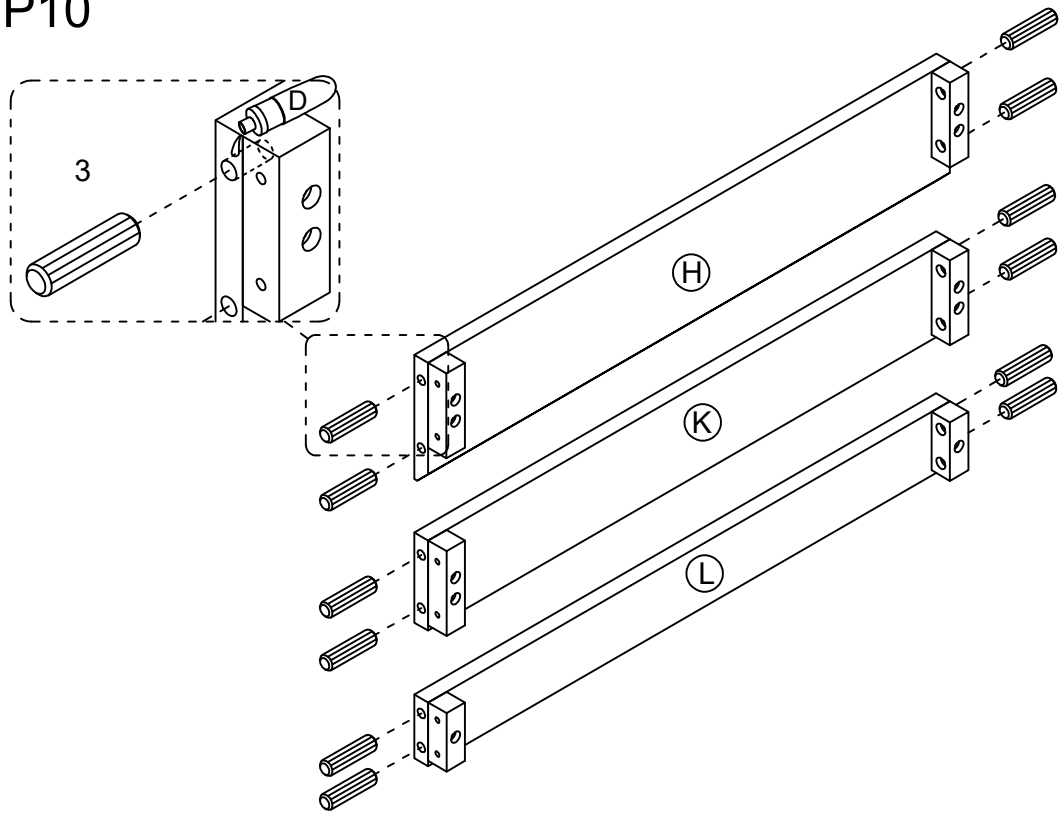


 1 x 4 pcs

STEP9

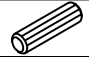



STEP10

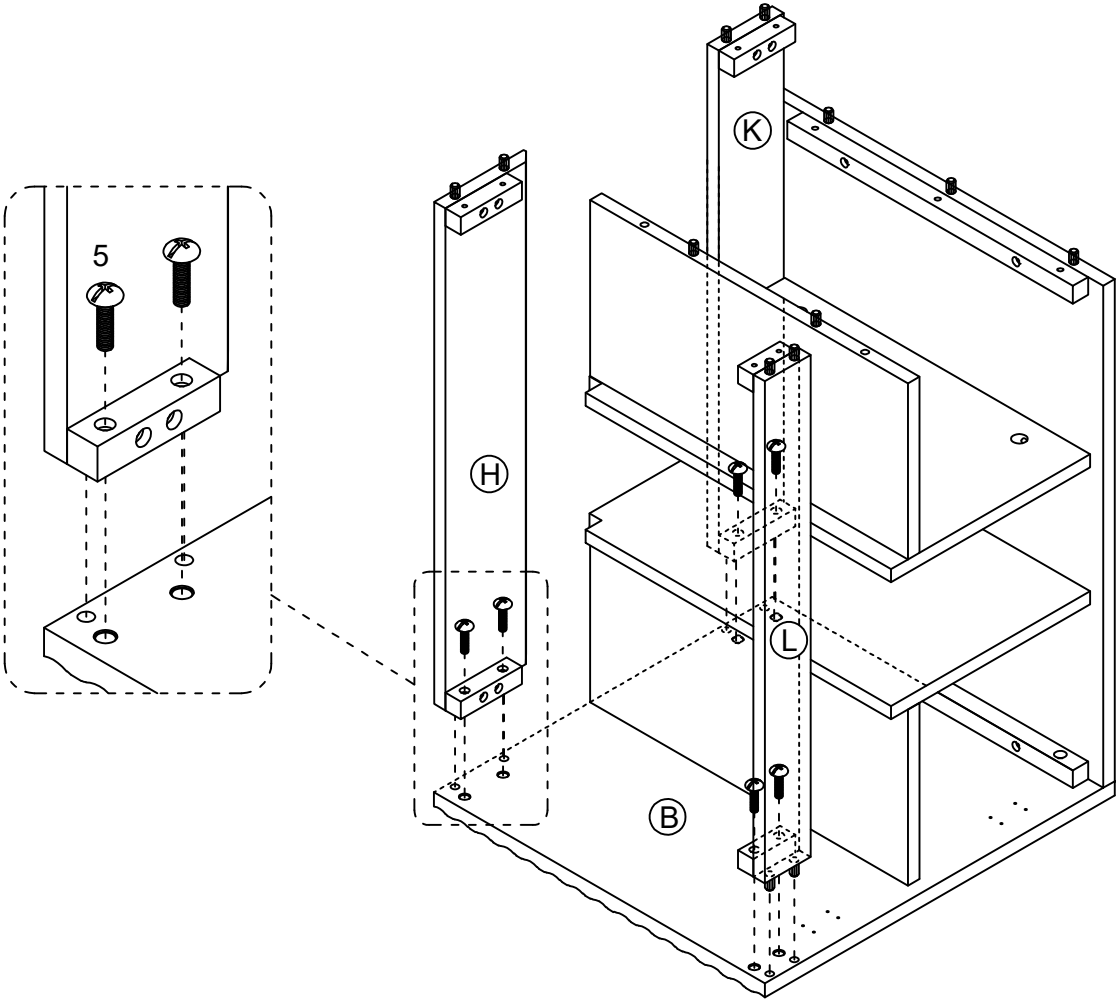


Glue the wood dowels 3 into the inner holes on the front upper rail H ,K and L .

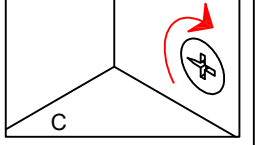
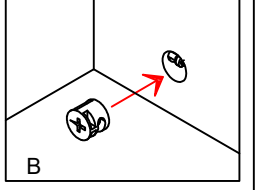
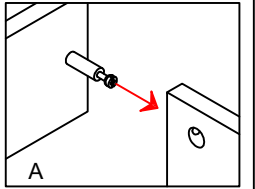
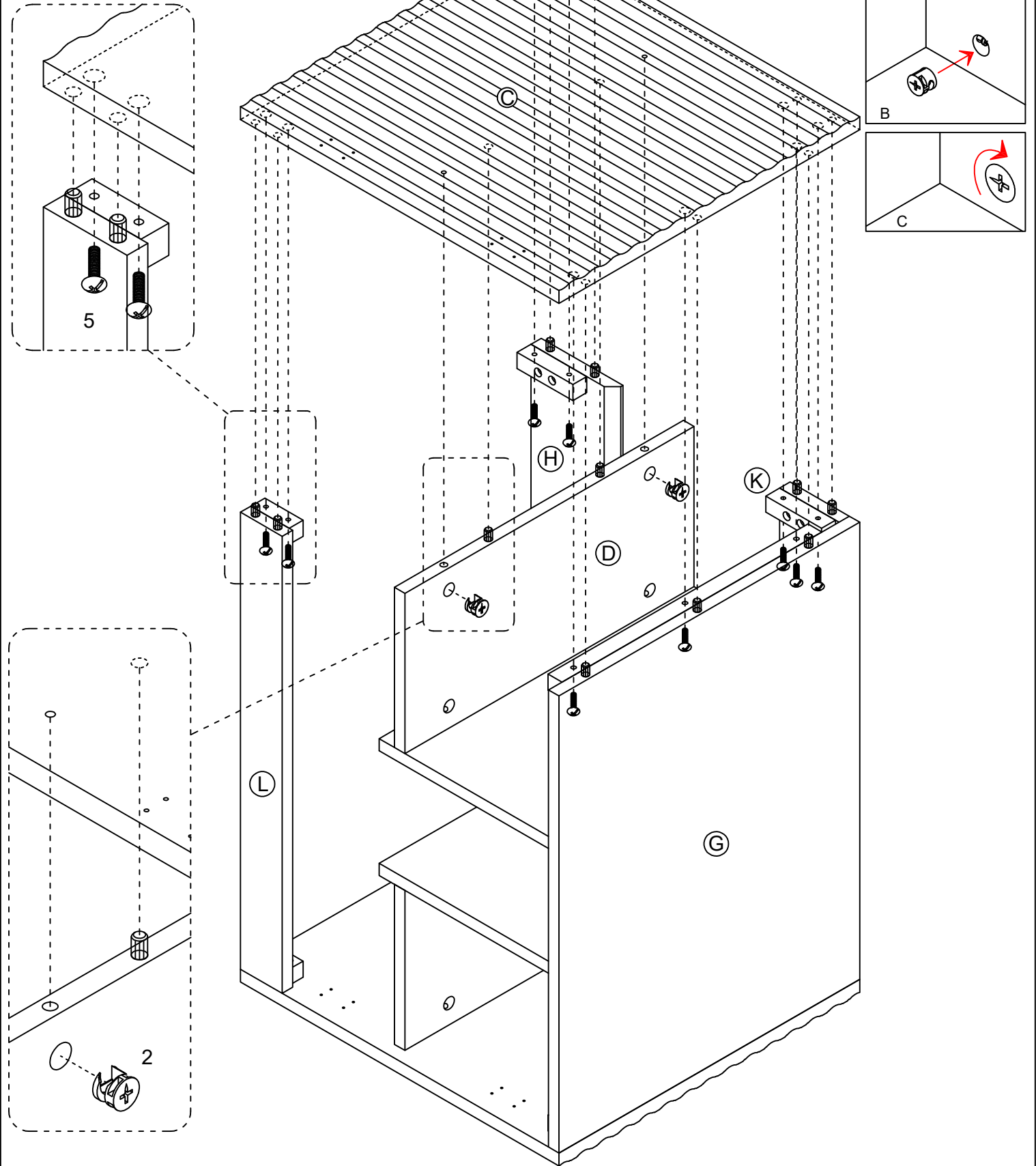
NOTE: It is very important to use a small amount of glue 4 on ends of dowels and wipe away excess glue immediately.



	3 x 12pcs
	4 x 1pcs

STEP11

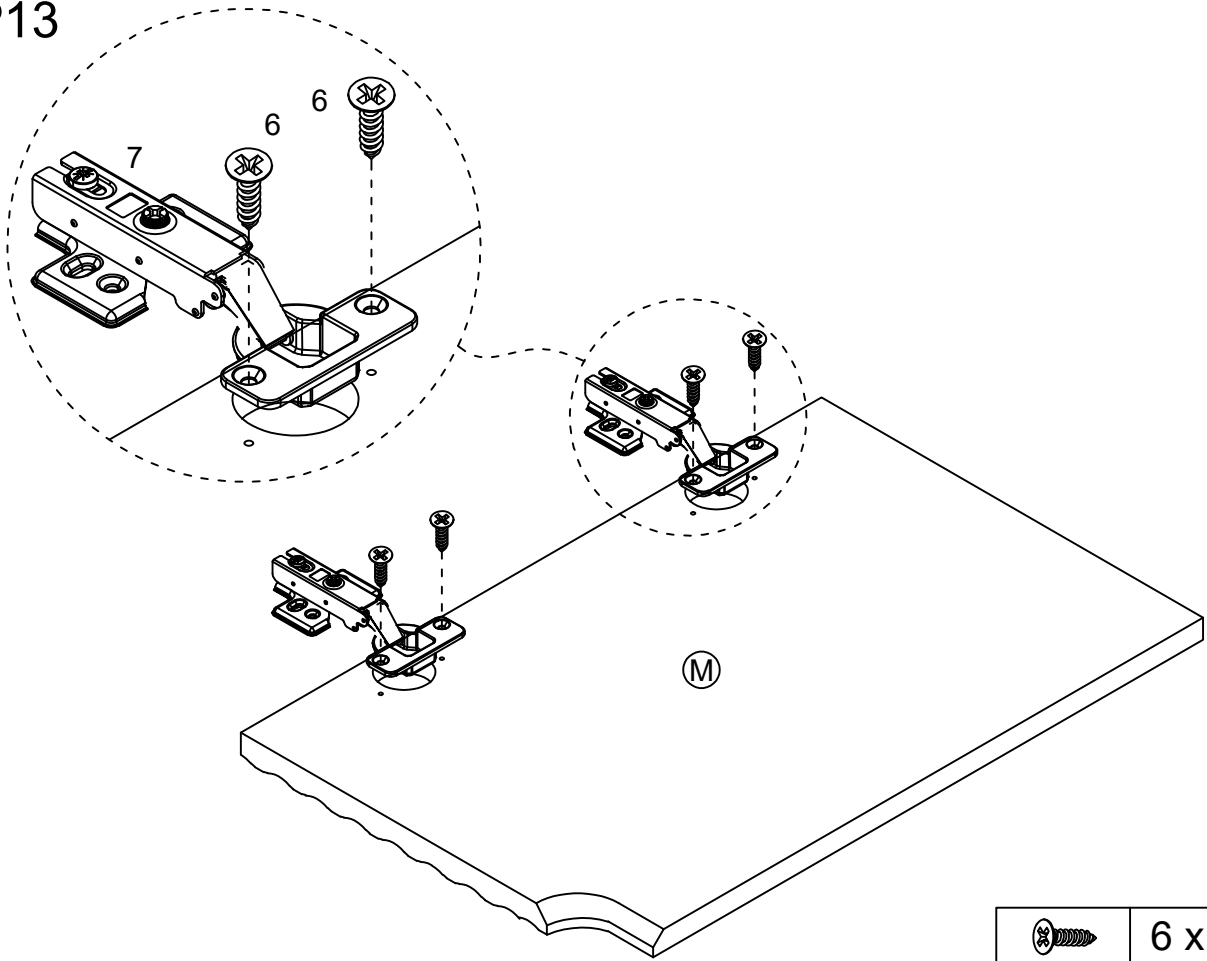




STEP12



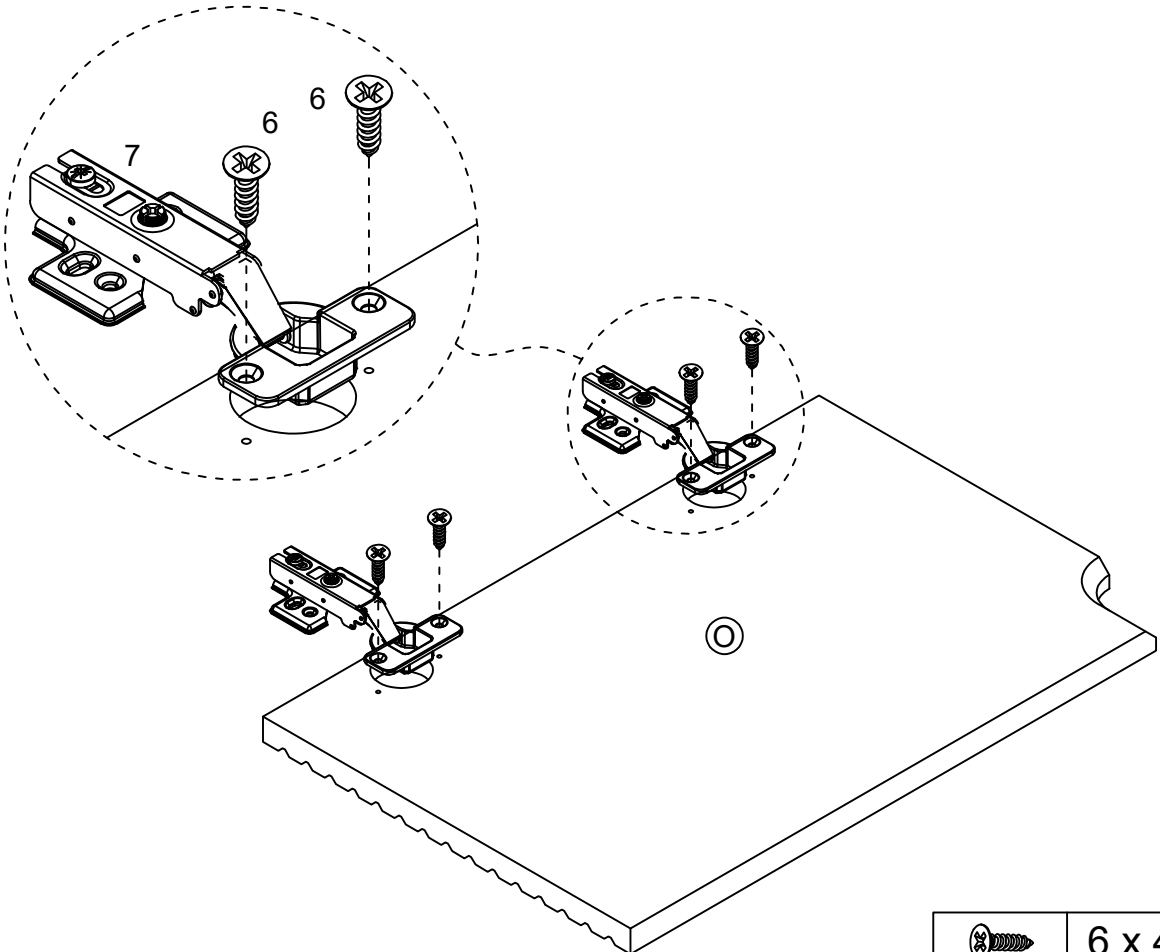
	2 x 2pcs
	5 x 9pcs



STEP13



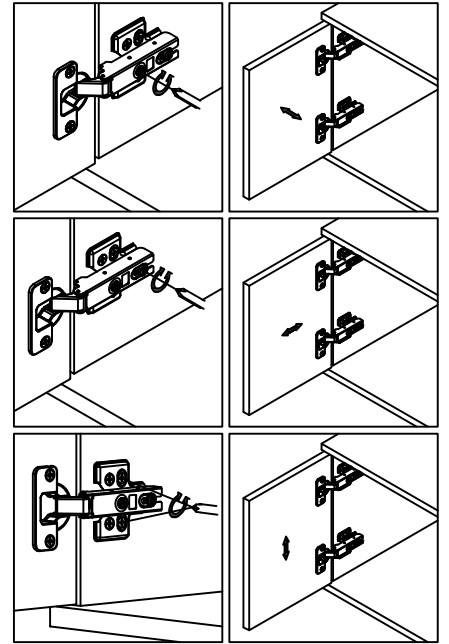
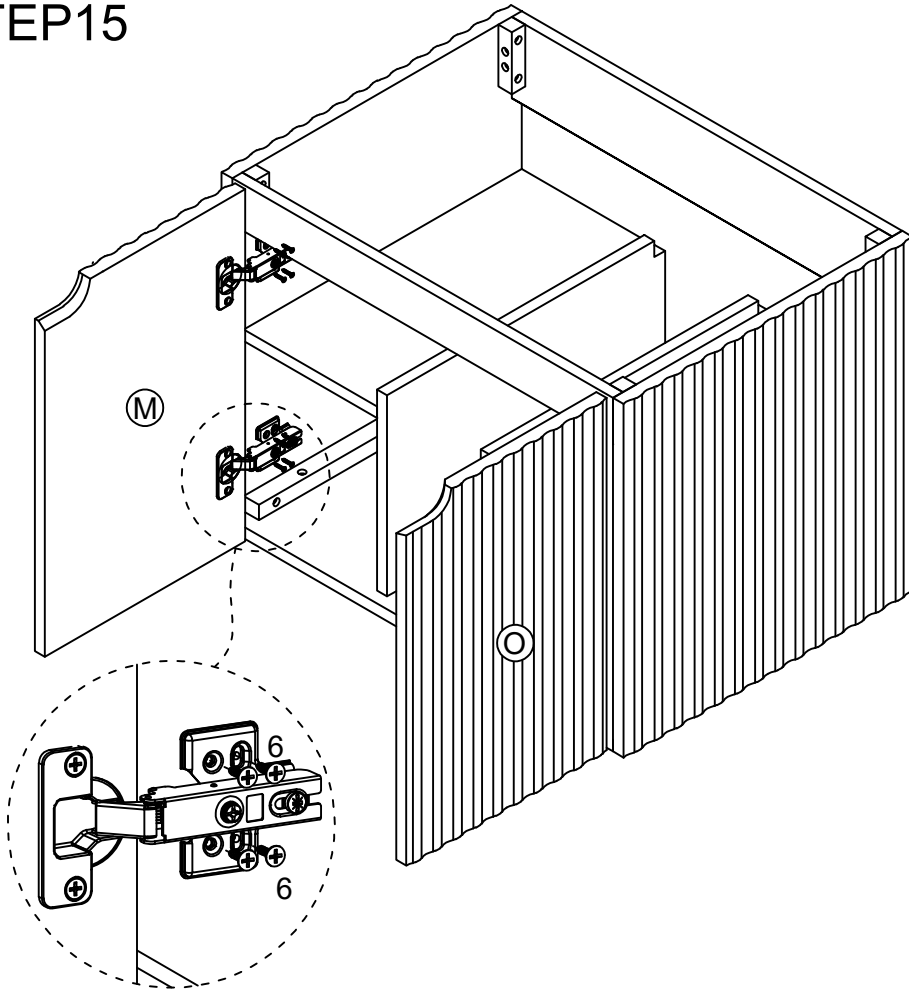
	6 x 4pcs
	7 x 2pcs


STEP14



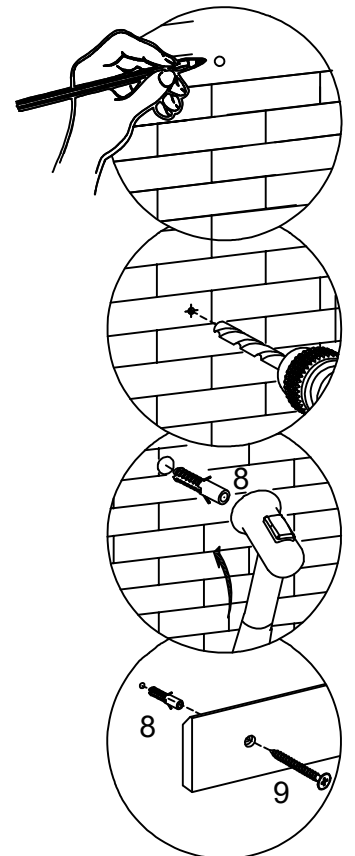
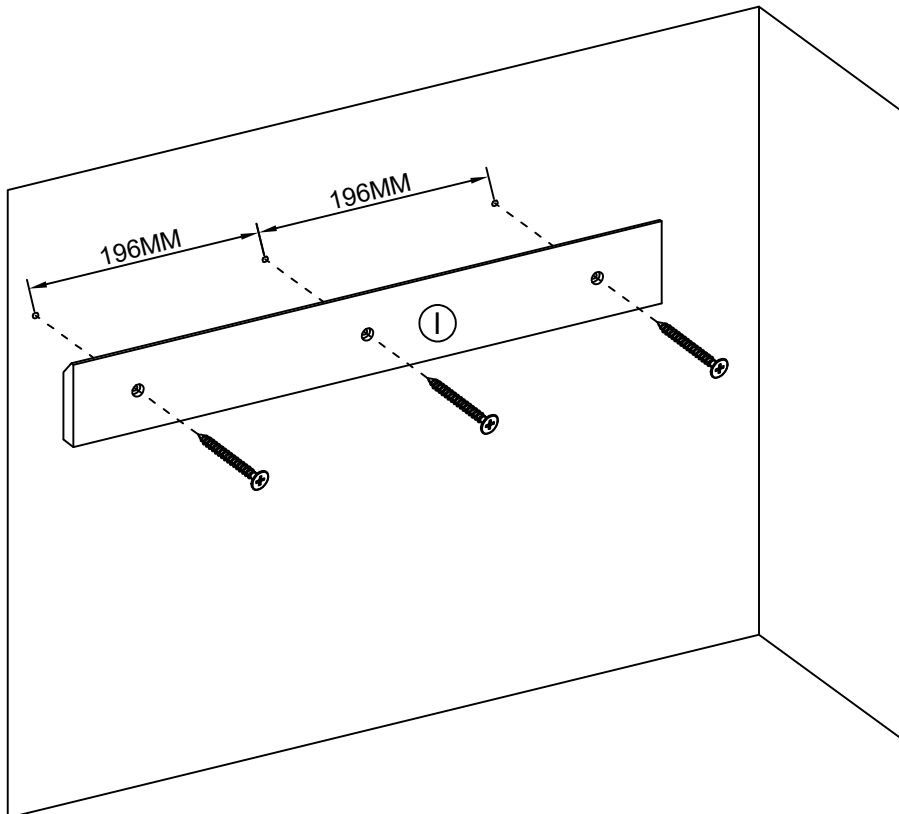
	6 x 4pcs
	7 x 2pcs



STEP15



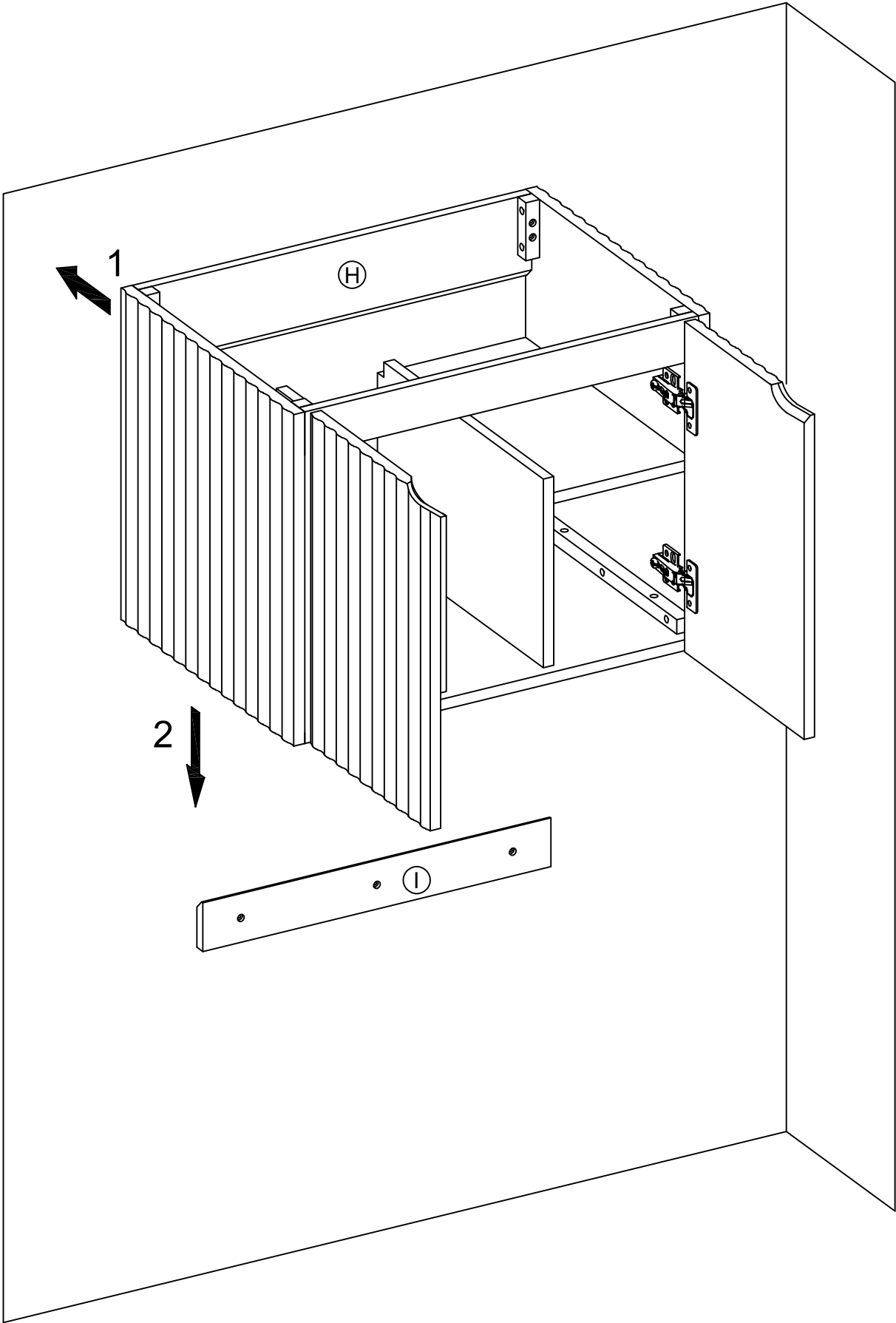
	6 x 16pcs
---	-----------

STEP16

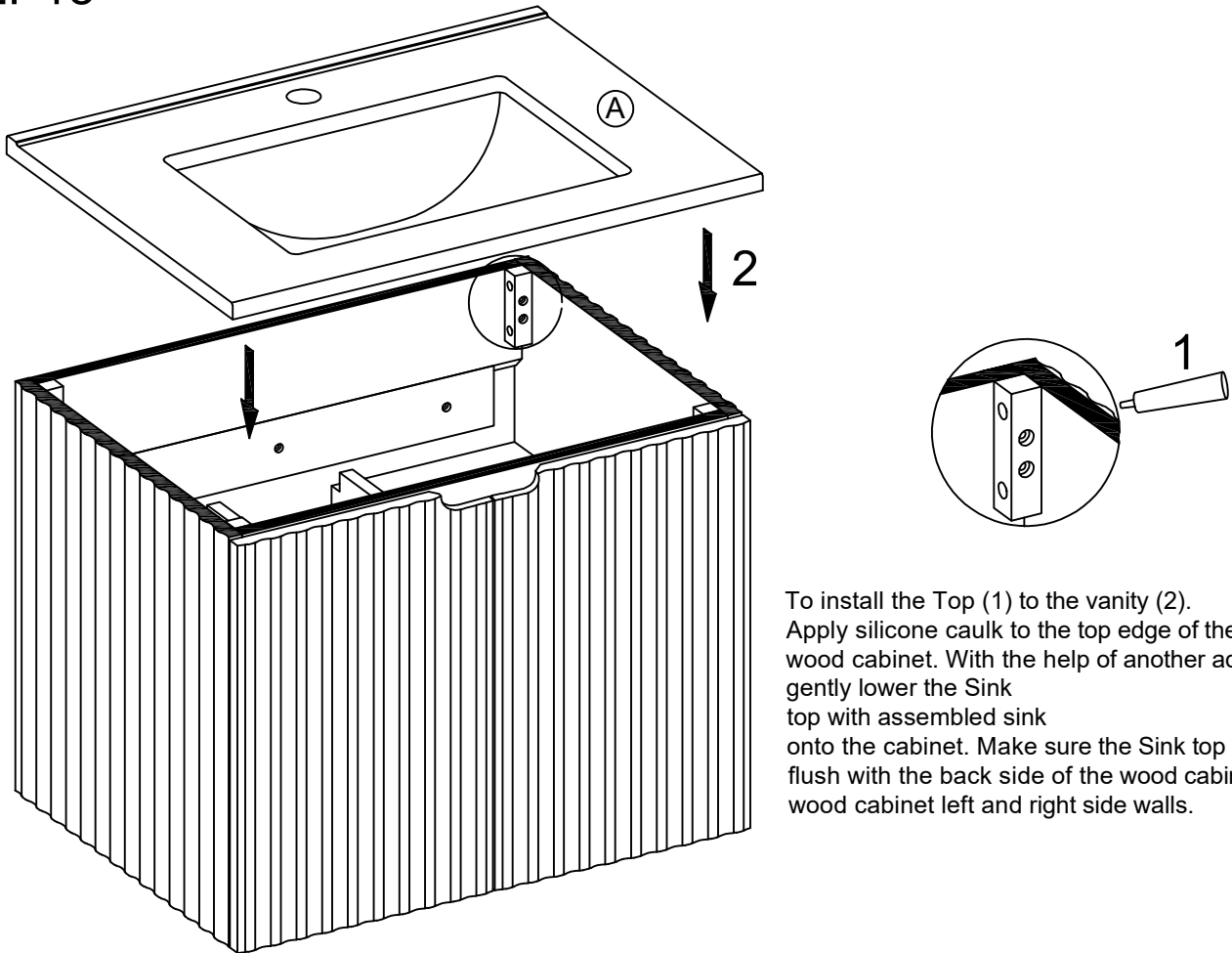


	8 x 3pcs
	9 x 3pcs

STEP17



STEP18



To install the Top (1) to the vanity (2). Apply silicone caulk to the top edge of the wood cabinet. With the help of another adult, gently lower the Sink top with assembled sink onto the cabinet. Make sure the Sink top is flush with the back side of the wood cabinet and the wood cabinet left and right side walls.

STEP19

