

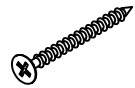
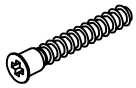


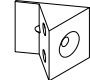


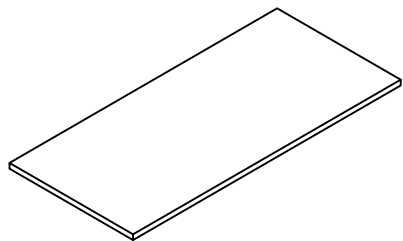


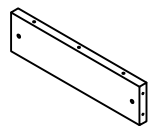
<p>A</p>  <p>48PCS</p>	<p>B</p>  <p>48PCS</p>	<p>C</p> <p>3.5*35</p>  <p>20PCS</p>	<p>D</p> <p>7*50</p>  <p>10PCS</p>	<p>E</p>  <p>8PCS</p>	<p>F</p> <p>3*12</p>  <p>10PCS</p>	<p>G</p>  <p>10PCS</p>	<p>H</p> <p>8*40</p>  <p>12PCS</p>	<p>I</p> <p>691MM</p>  <p>1PCS</p>
---	---	---	---	---	---	---	---	---

1



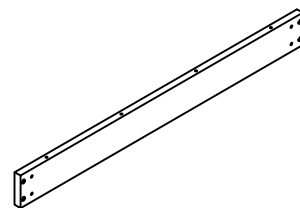
1300*600 1PCS

2



460*120 2PCS

3



1208*120 2PCS

4



899*100 2PCS

5



899*65 2PCS

6



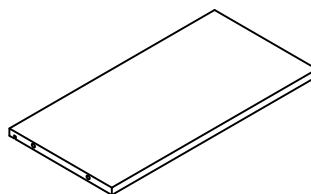
899*100 2PCS

7



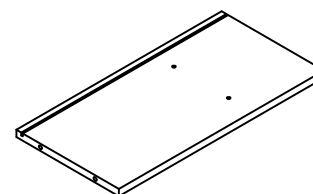
899*65 2PCS

8



480*240 1PCS

9



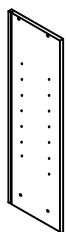
480*240 1PCS

10



775*240 1PCS

11



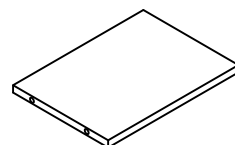
775*240 1PCS

12



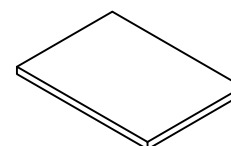
694*240 1PCS

13



305*223 1PCS

14



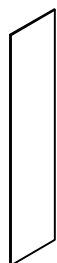
157*223 2PCS

15



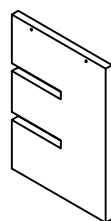
703*155 2PCS

16



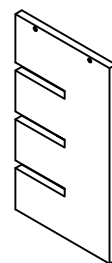
703*168 1PCS

17



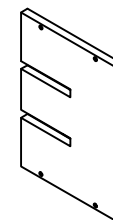
297*220 2PCS

18



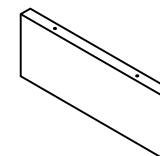
396*220 2PCS

19



312*220 2PCS

20



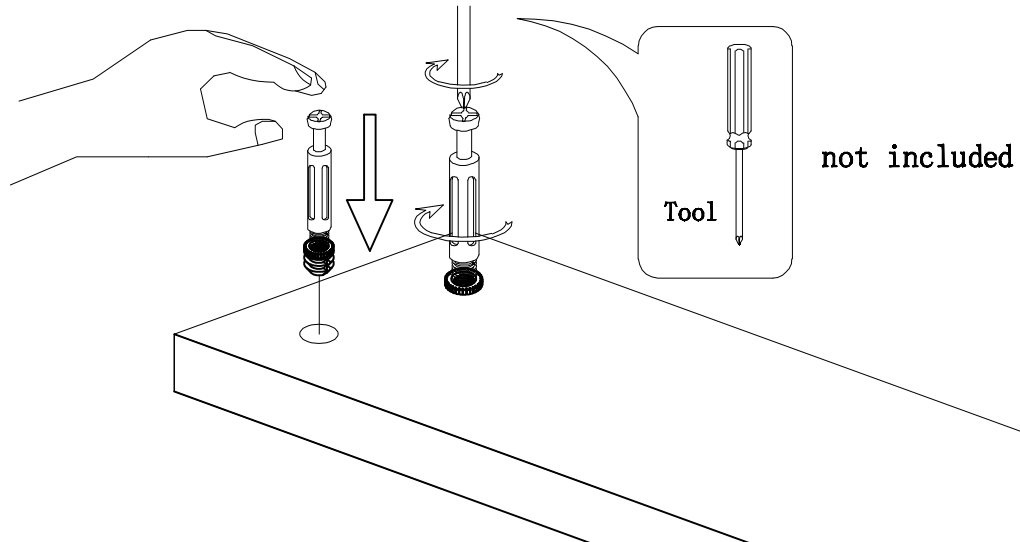
220*84 2PCS



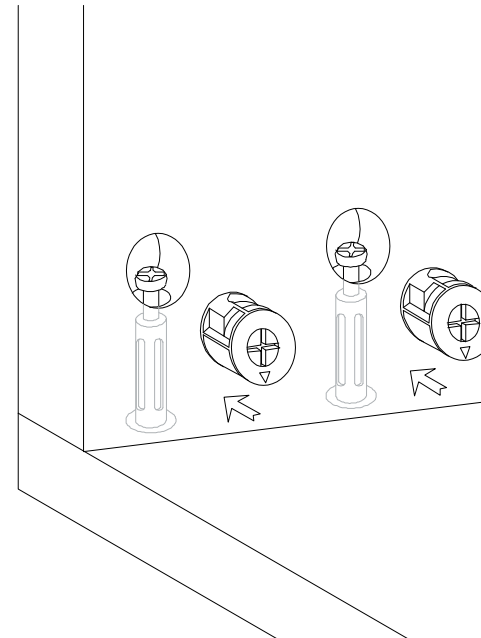
Hardware installation demonstration

NOTE: Please make sure "A" hardware tightened and can't be pulled out!

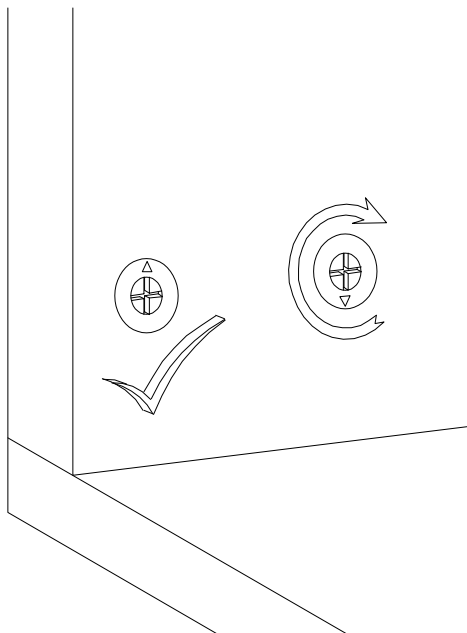
I



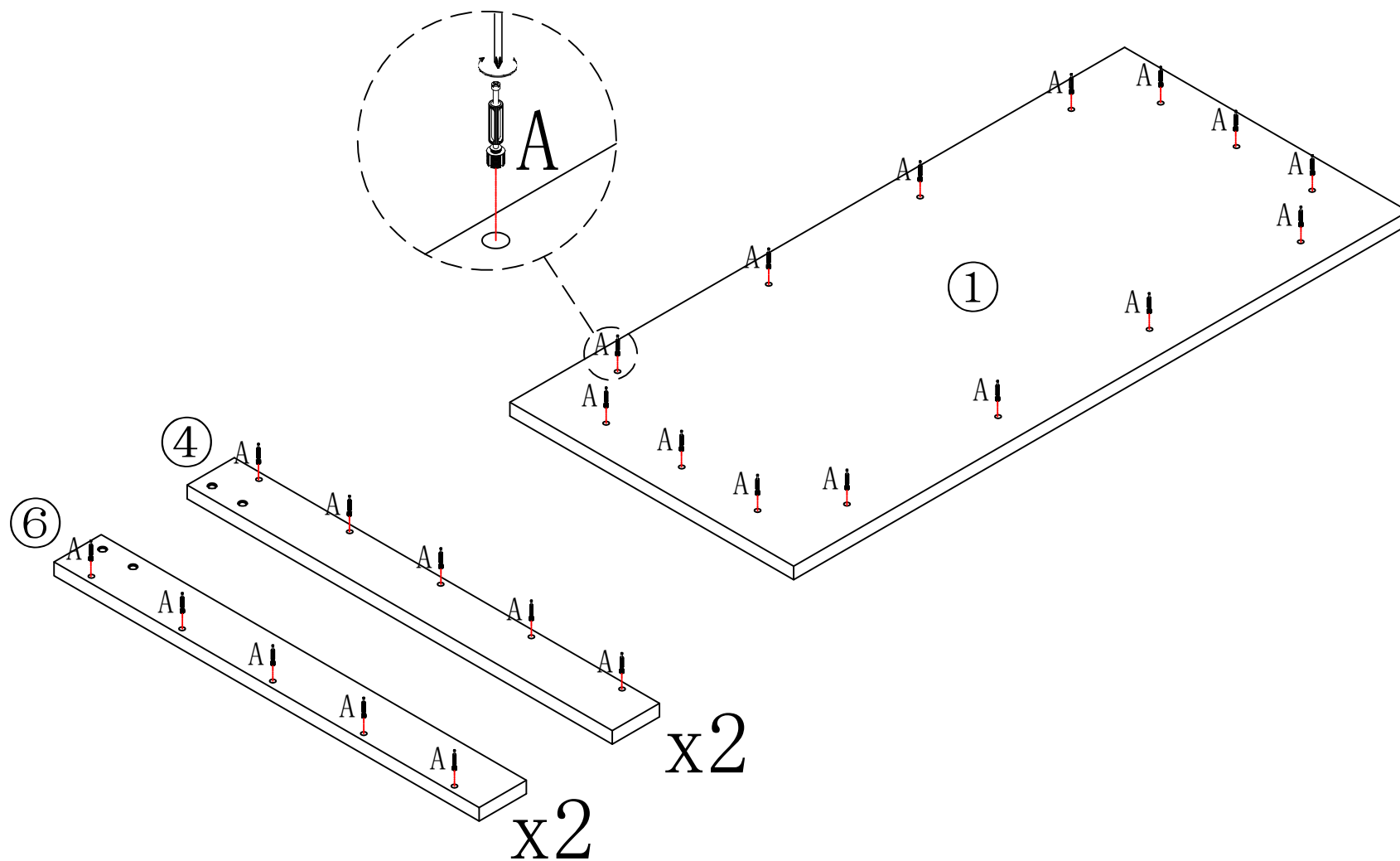
II



III



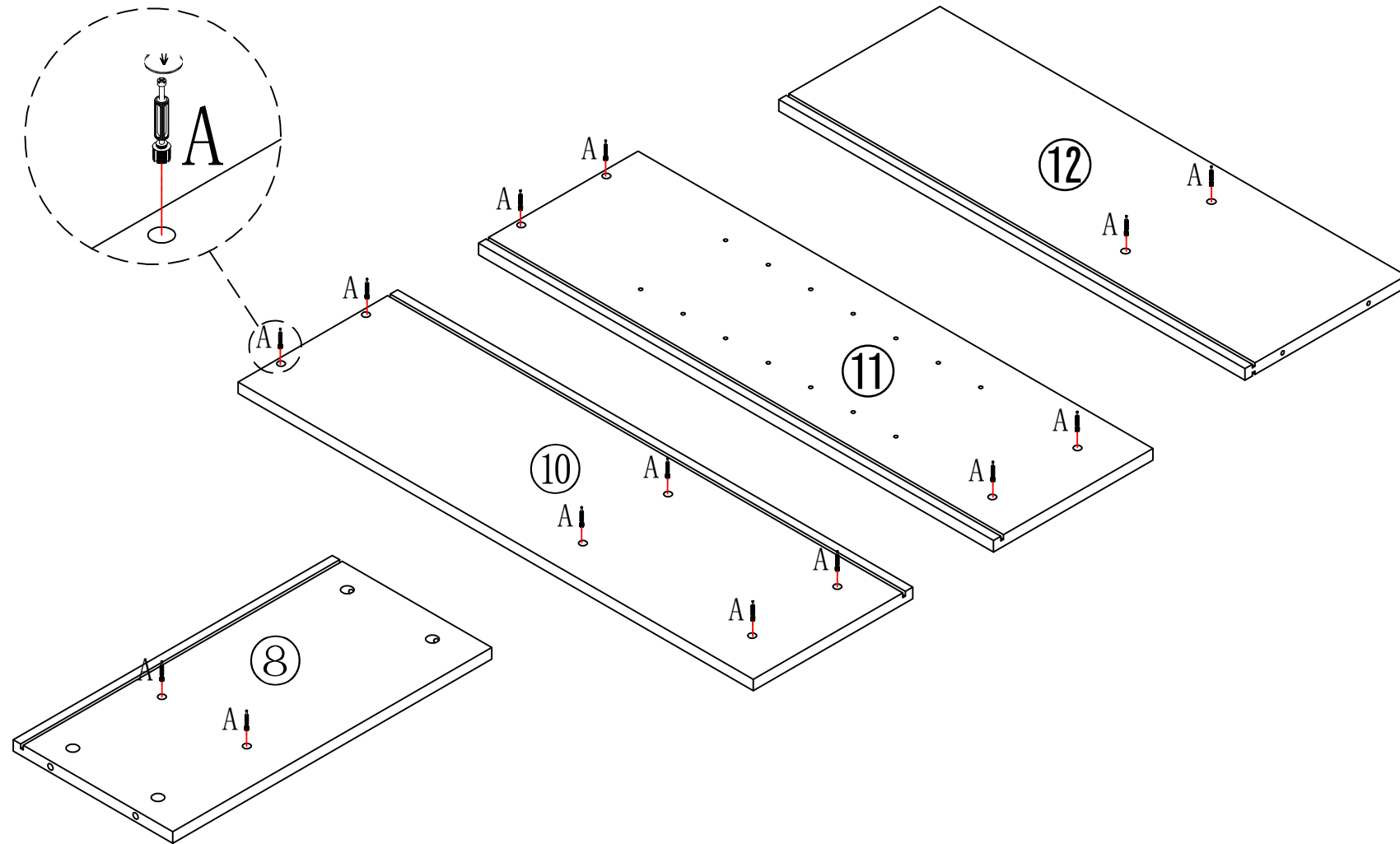
①



A*34

put A on board ① ④ ⑥

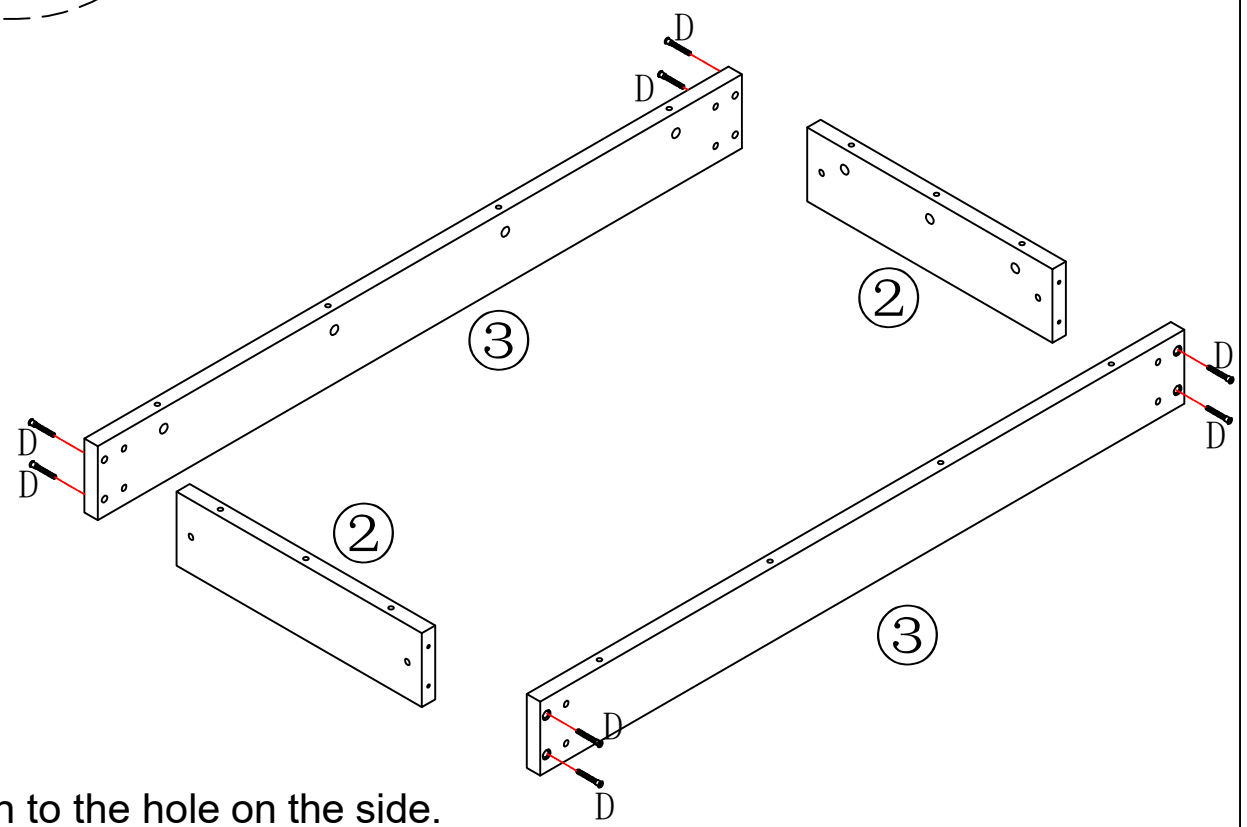
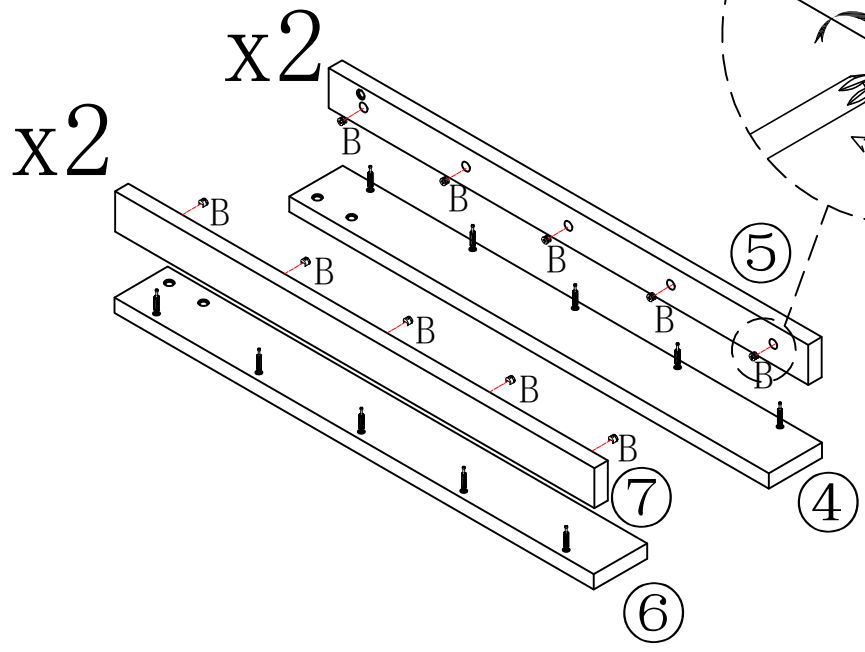
2




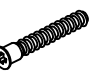
A*14

put A on board ⑧ ⑩ ⑪

③

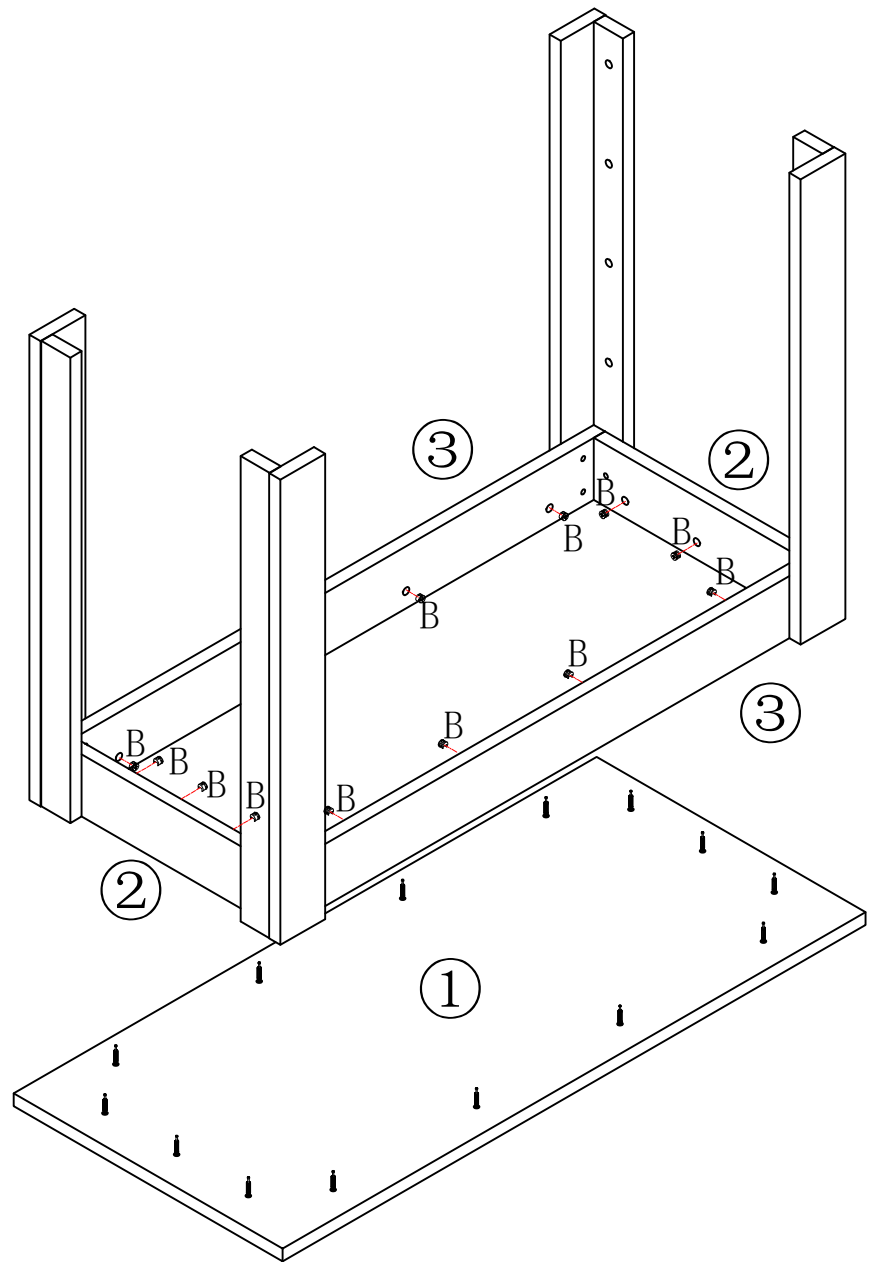
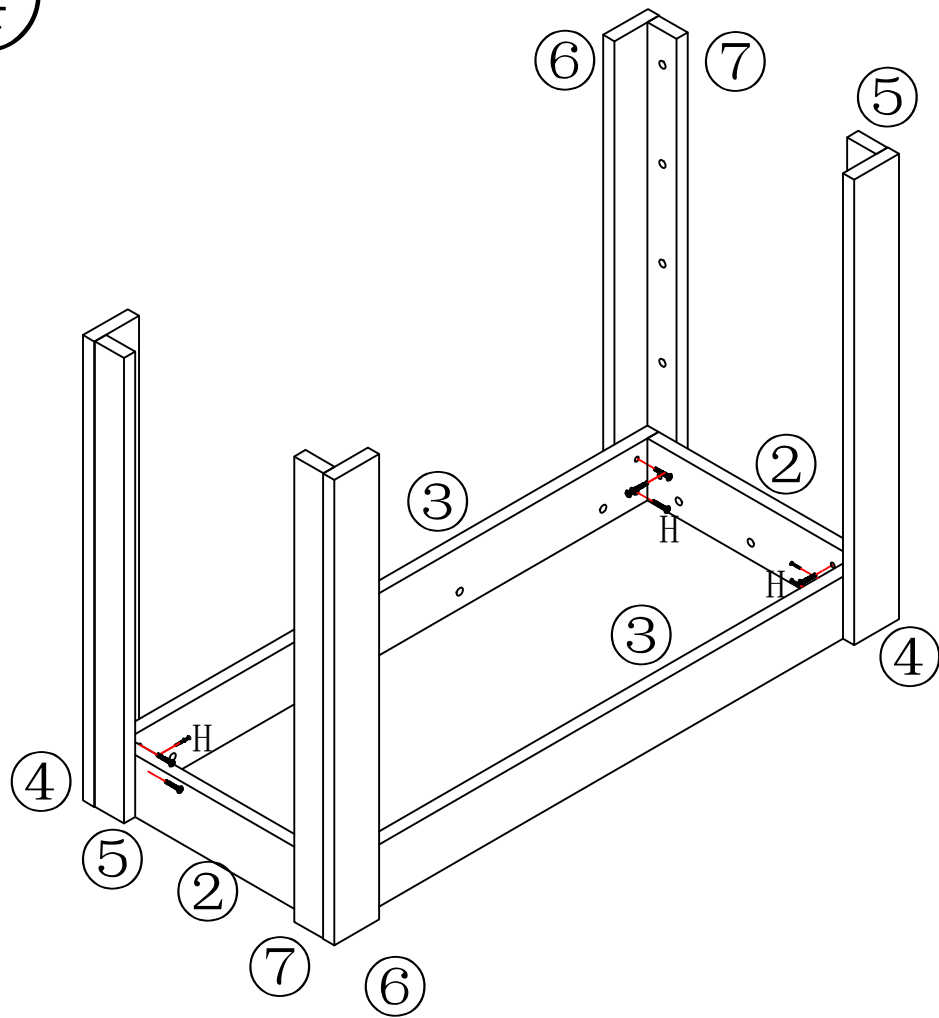


Make sure the arrow on the screw align to the hole on the side.



	B*20
	D*8

put B on board ⑤ ⑦

4

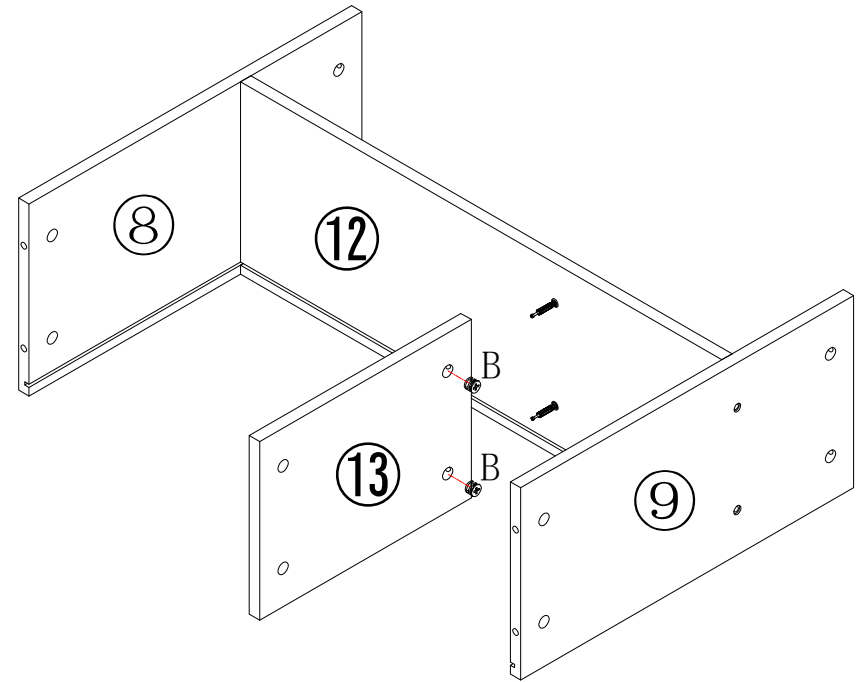
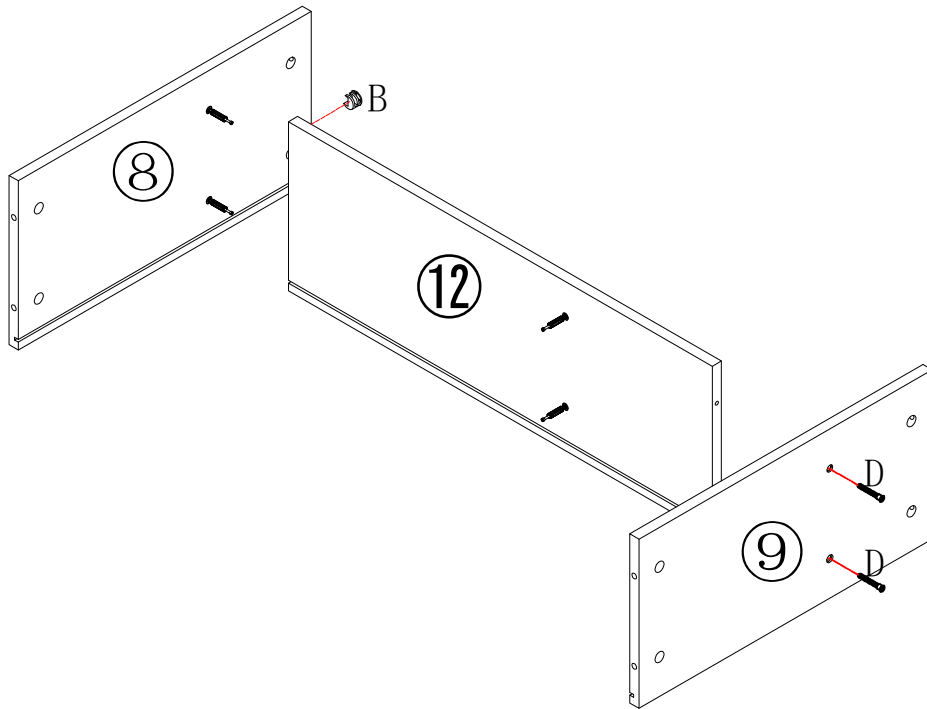


Make sure the arrow on the screw align to the hole on the side.



	B*14
	H*12

put B on board ② ③

5

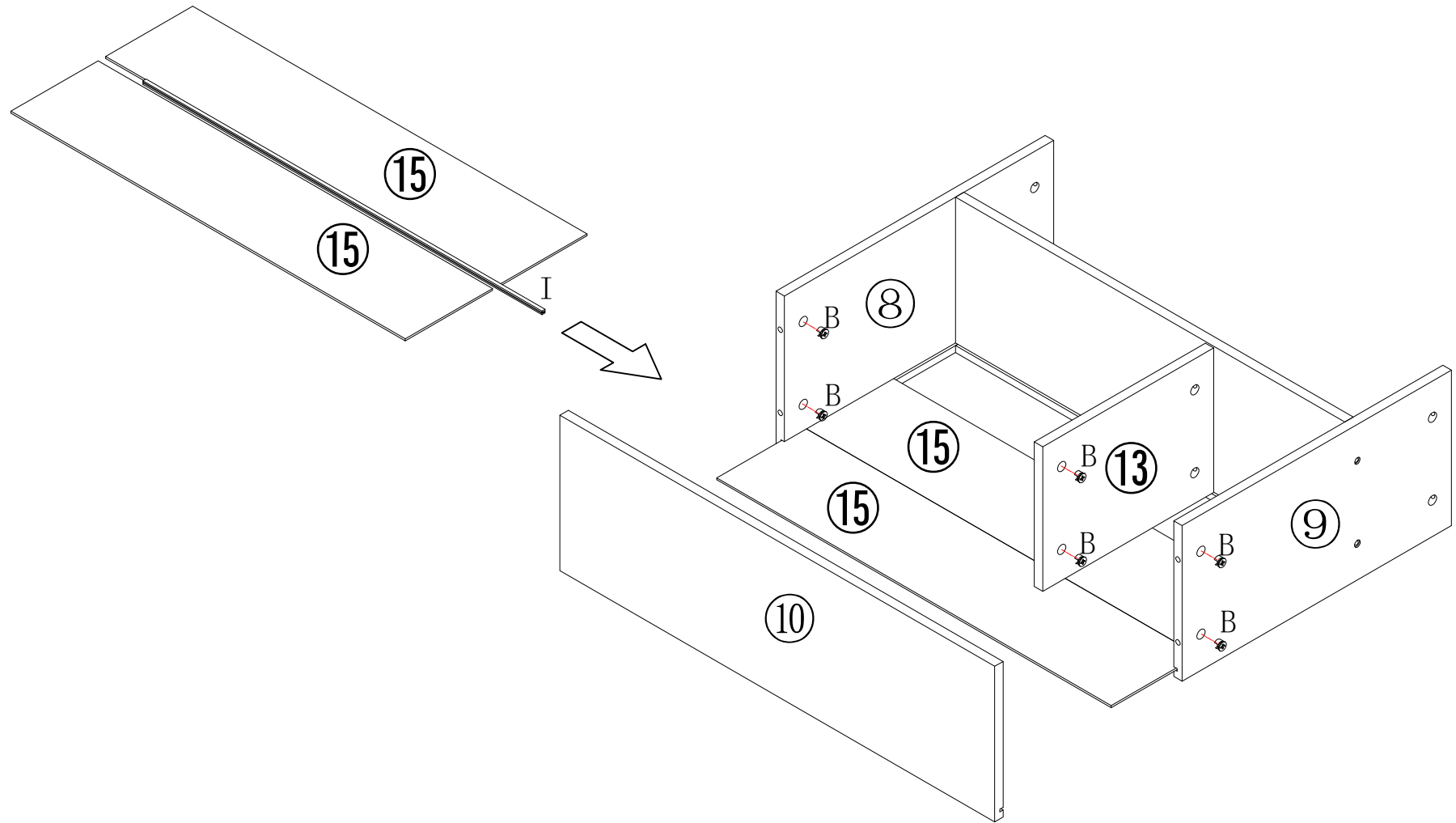


Make sure the arrow on the screw align to the hole on the side.



	B*4
	D*2

put B on board 12 13

⑥

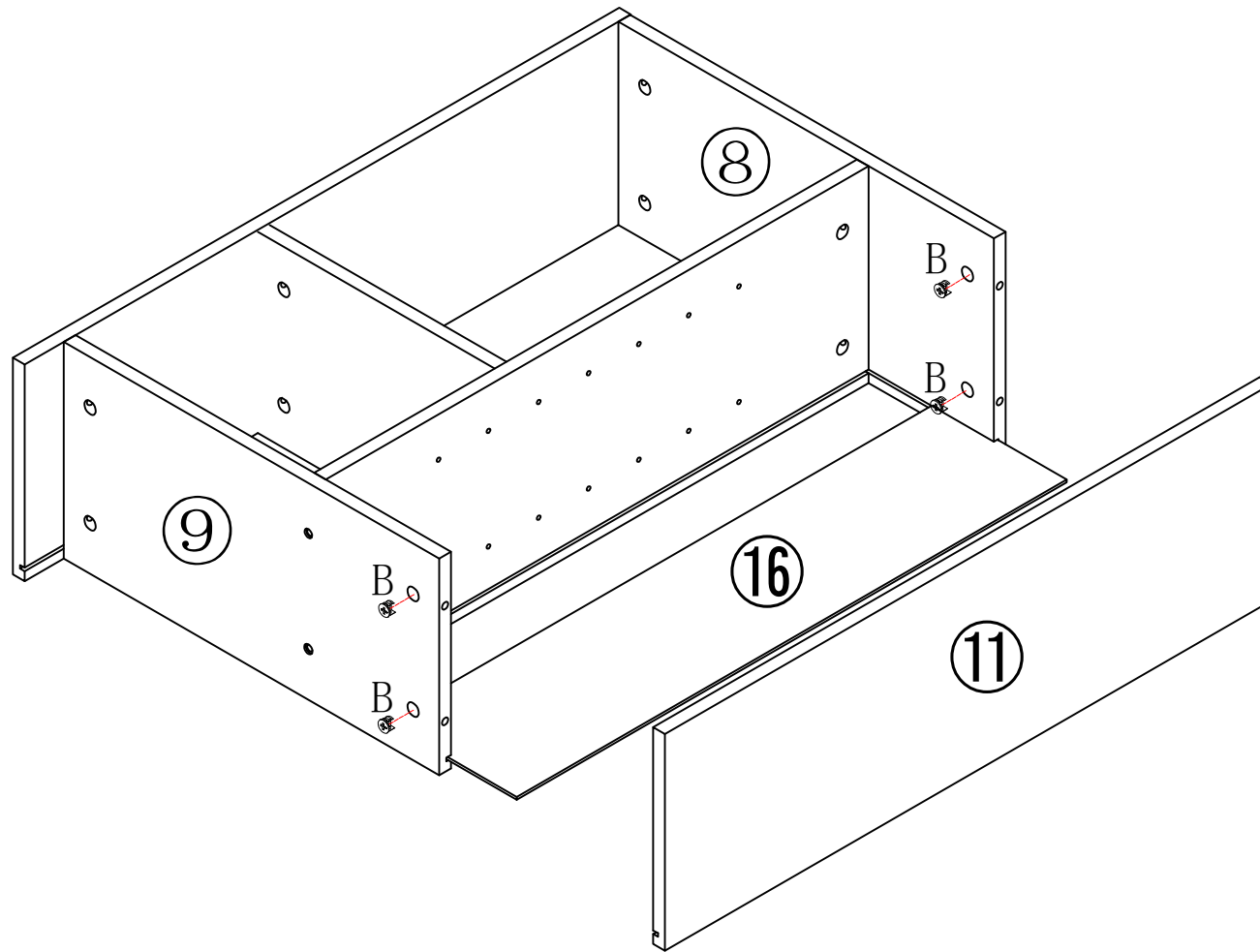


Make sure the arrow on the screw align to the hole on the side.

	B*6
	I*1

put B on board ⑧ ⑨ ⑬

7



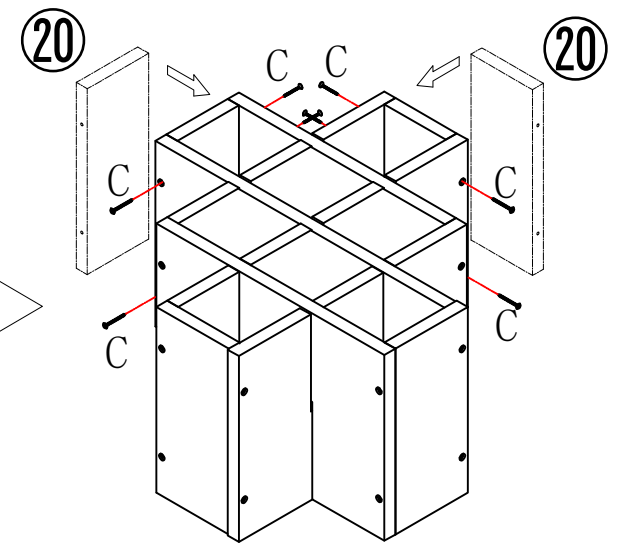
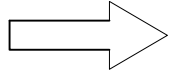
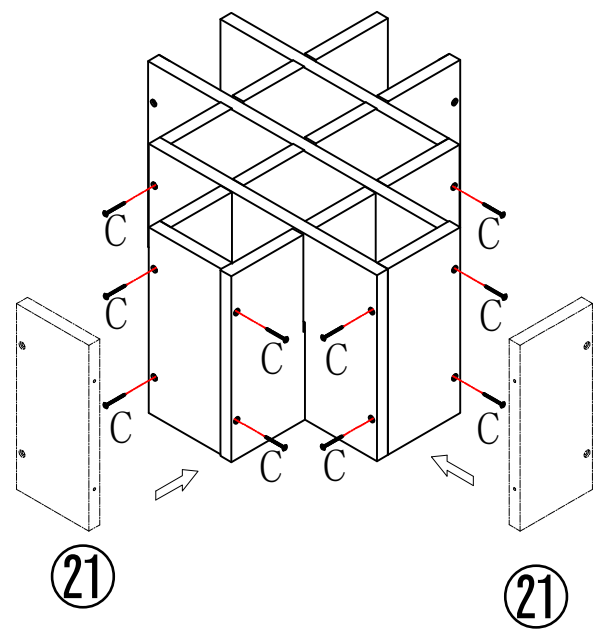
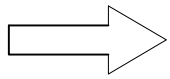
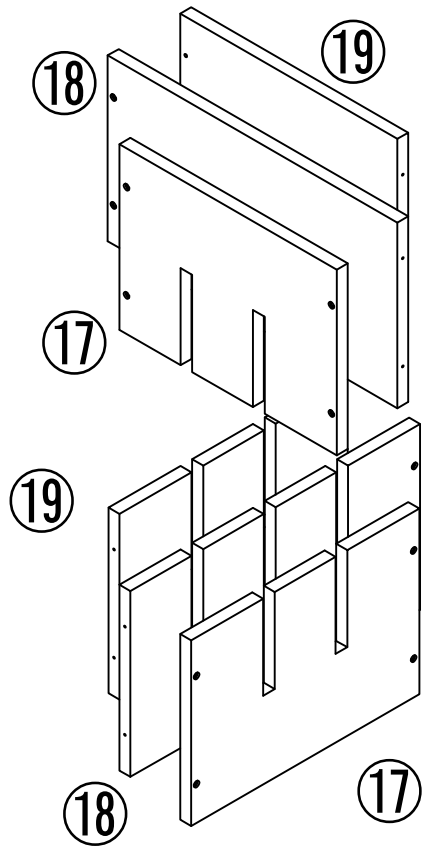
Make sure the arrow on the screw align to the hole on the side.



B*4

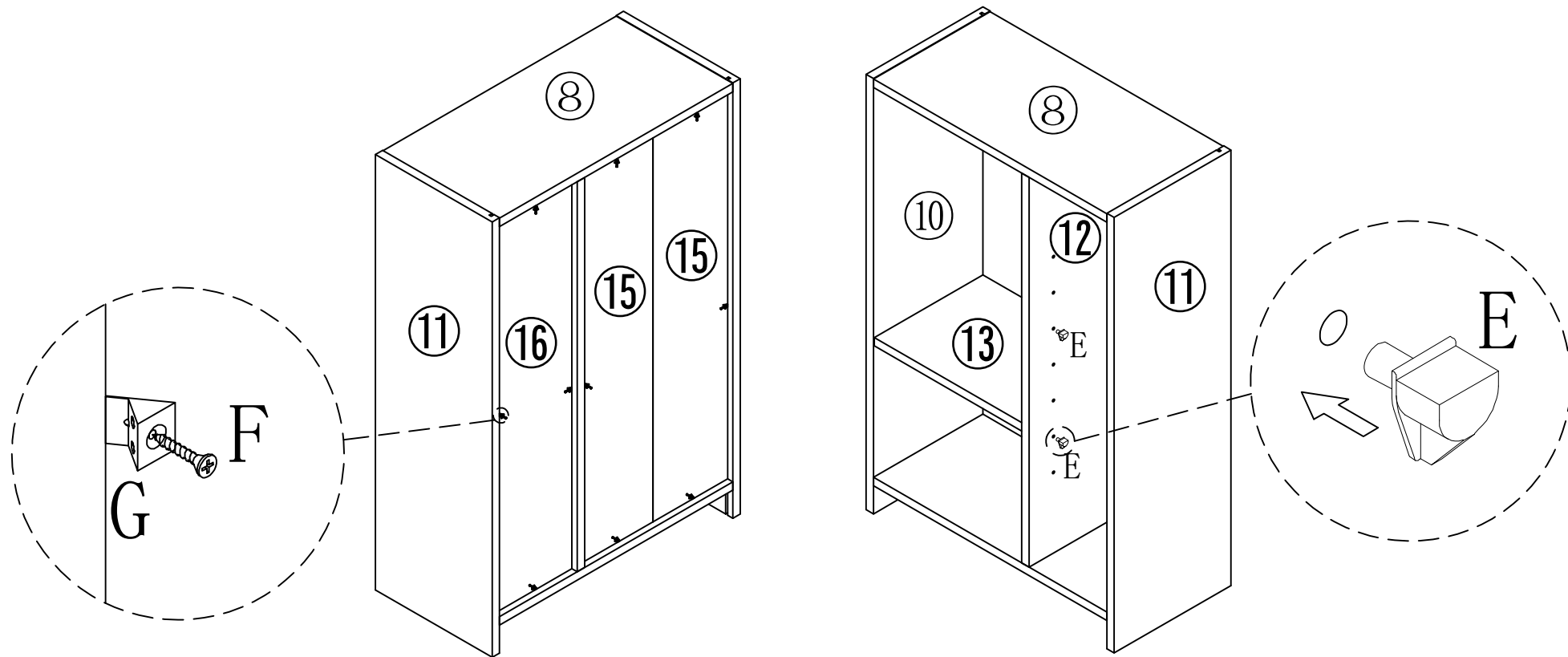
put B on board (8) (9)


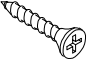
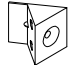
8



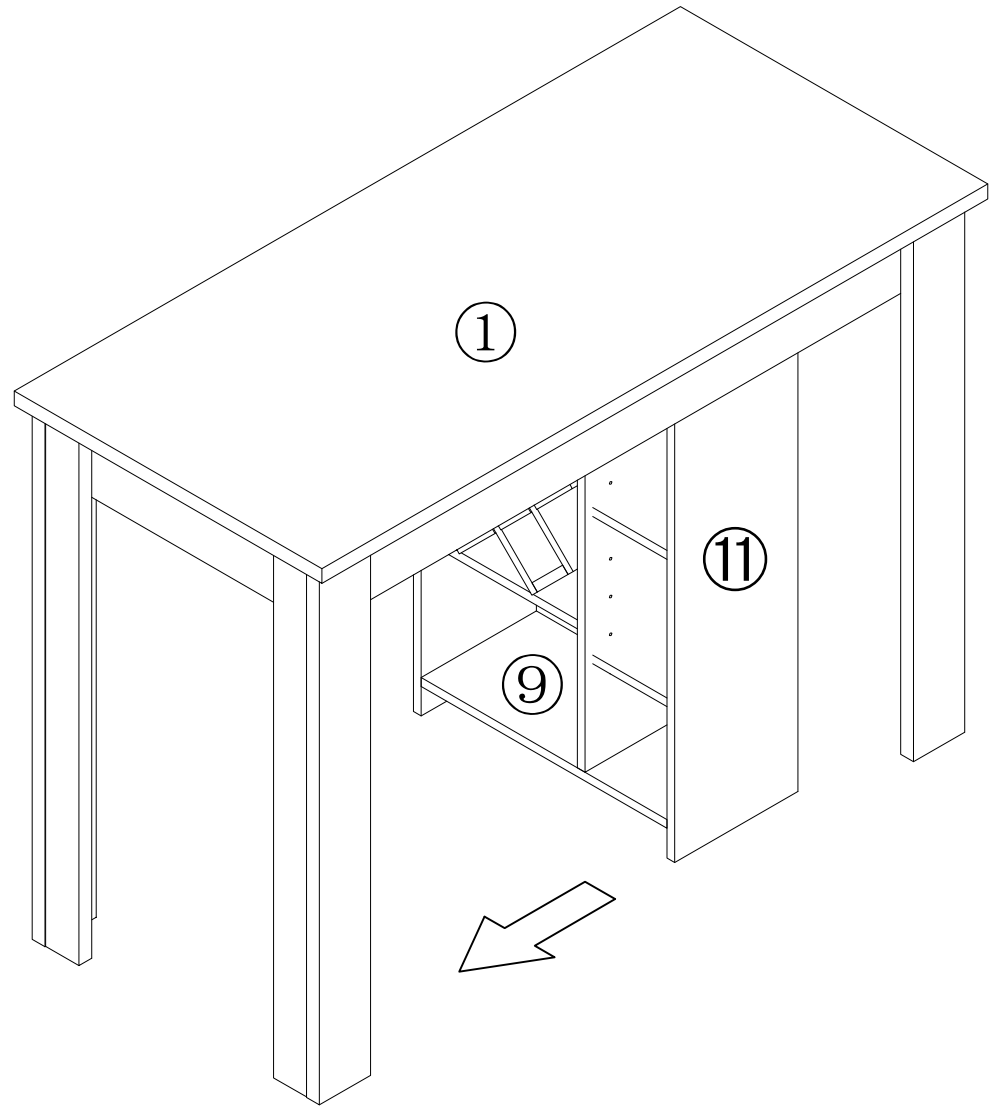
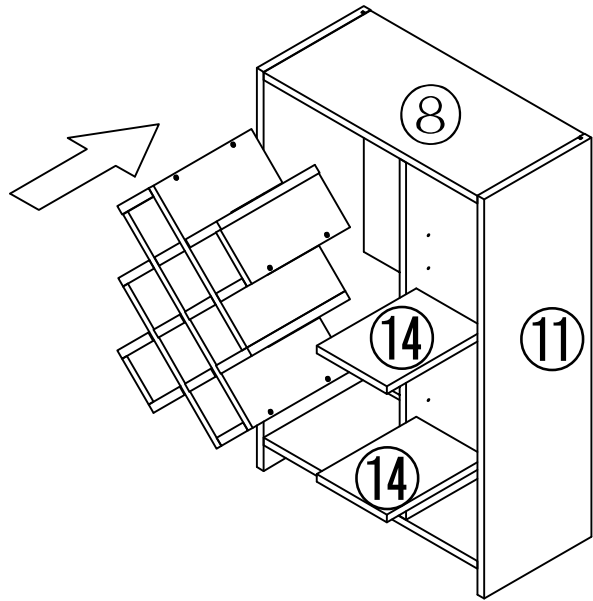
C*20

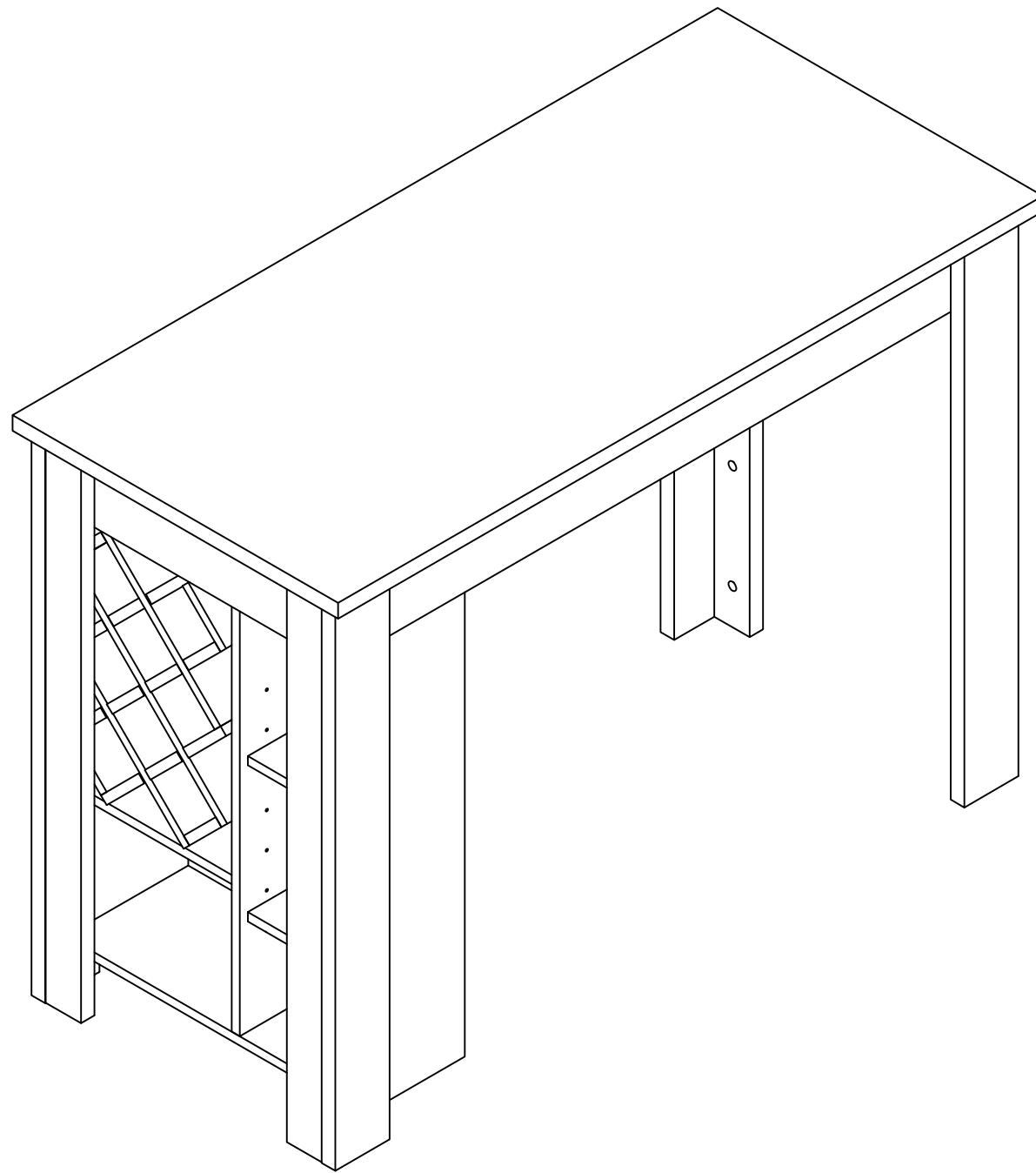
9



	E*8
	F*10
	G*10

10





END