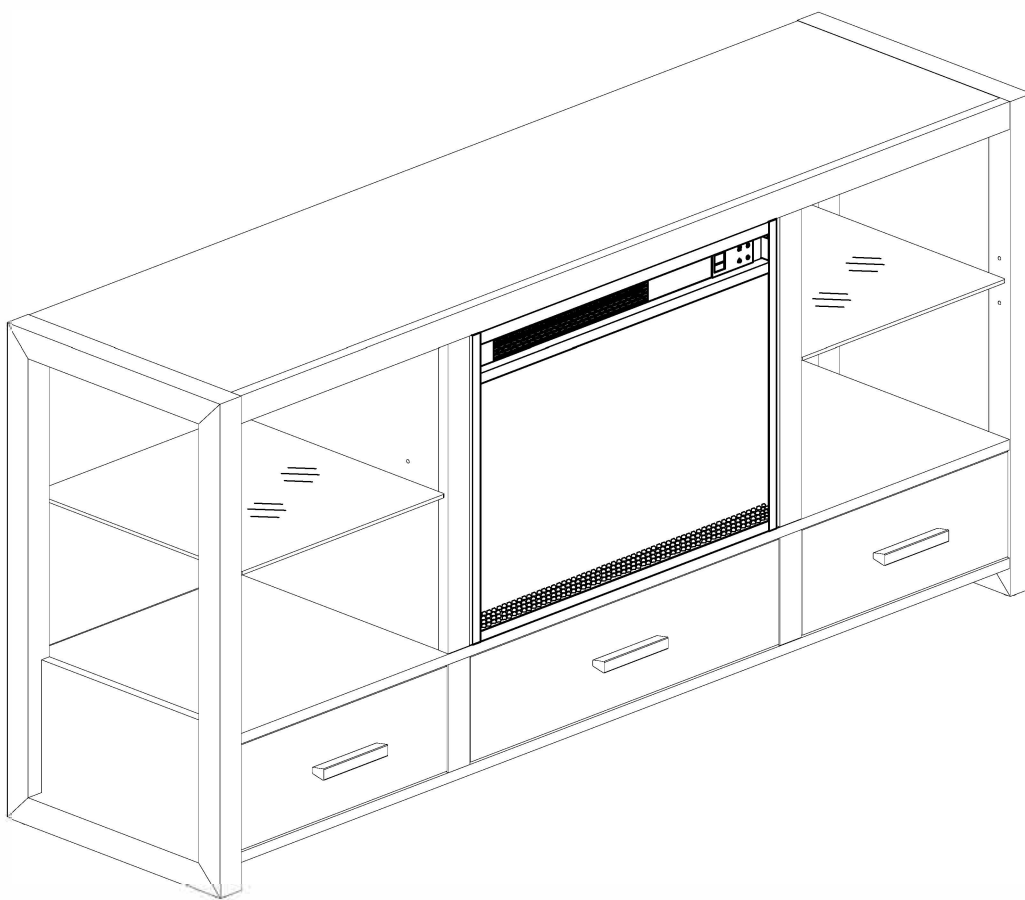


# **60" ELECTRIC FIREPLACE MEDIA STAND WITH SYNC COLORFUL LED LIGHTS**

## **ASSEMBLY, CARE & USE INSTRUCTIONS**



W1769111438

---

### **THANK YOU**

We appreciate the trust to purchase our electric fireplace media mantel. We strive to continually create quality products designed to enhance your home. Visit us online to see our full line of products available for your home improvement needs. Thank you for choosing us!

## ASSEMBLY TIPS

---

Before you begin, locate the instructions and hardware. Take out all the parts and compare them to the diagrams below. Be sure you have all the parts and can identify them.

Two people are required to assemble this product. Assembly time will take approximately 30-90 minutes.

Before assembly, use scissors to unwrap the parts from the packaging. DO NOT use a box cutter or exacto-knife as you may cut into the mantel pieces inside the box and damage the finish. Check for the hardware bag which is RED and located inside the packaging, taped to the top box.

DO NOT discard any pieces.

## CAUTION

---

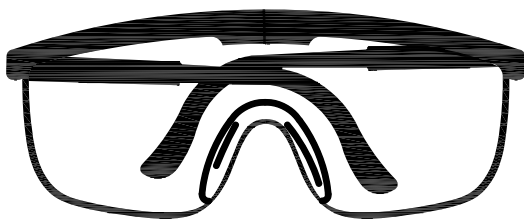
There are small components used in the construction of this product. Loose items should be kept away from pets and children to avoid a choking hazard. Keep all plastic and packaging film away from pets and children to avoid suffocation.

## CARE AND MAINTENANCE

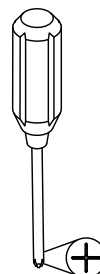
---

1. Dust your fireplace mantel regularly with a soft non-lint producing cloth or household dusting product.
2. You can clean your fireplace insert with a gentle non-abrasive household cleaner. Make sure to dry your fireplace immediately with a soft cloth or towel.

## TOOLS REQUIRED ( NOT INCLUDED)



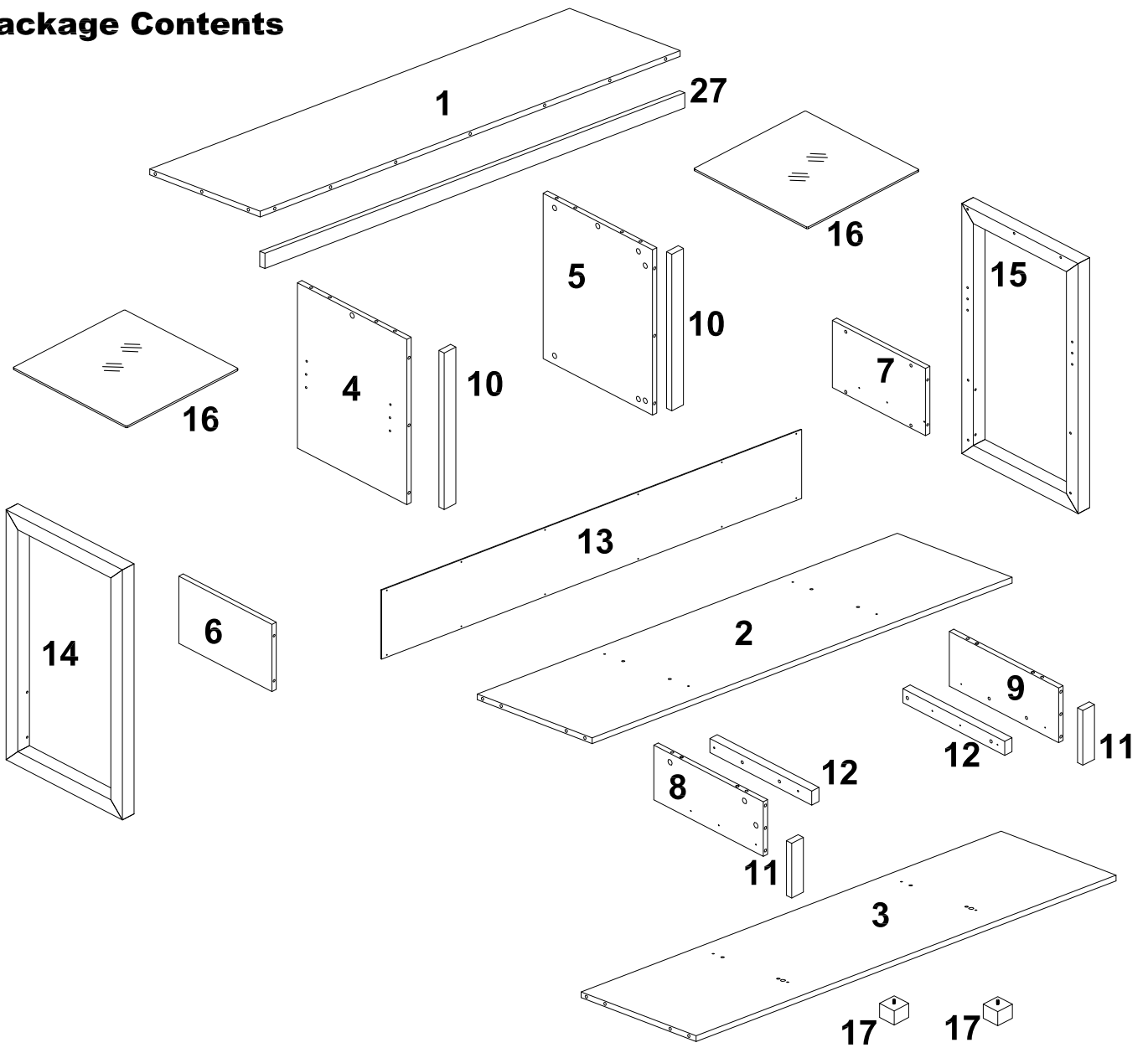
Safety goggles



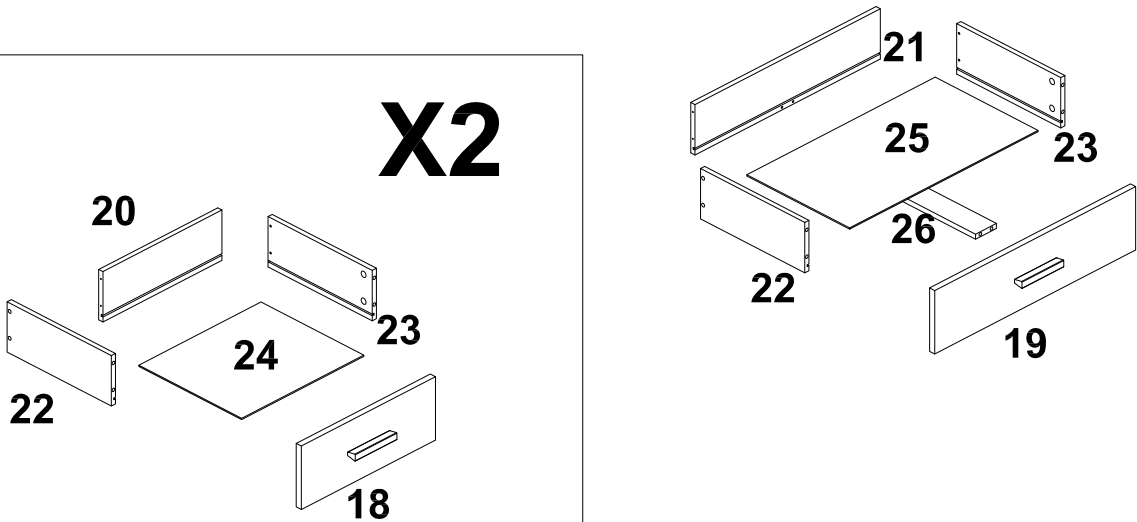
Phillips screwdriver

Questions, problems, missing parts? Before returning to your retailer, send email to this mail box at any time: [service@cambridgeelectrical.cn](mailto:service@cambridgeelectrical.cn)






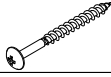

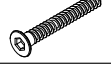



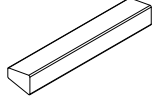

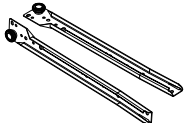
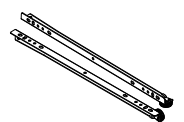




# Package Contents



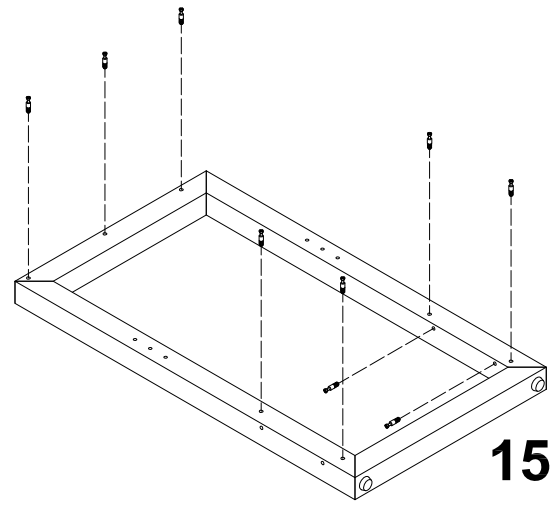
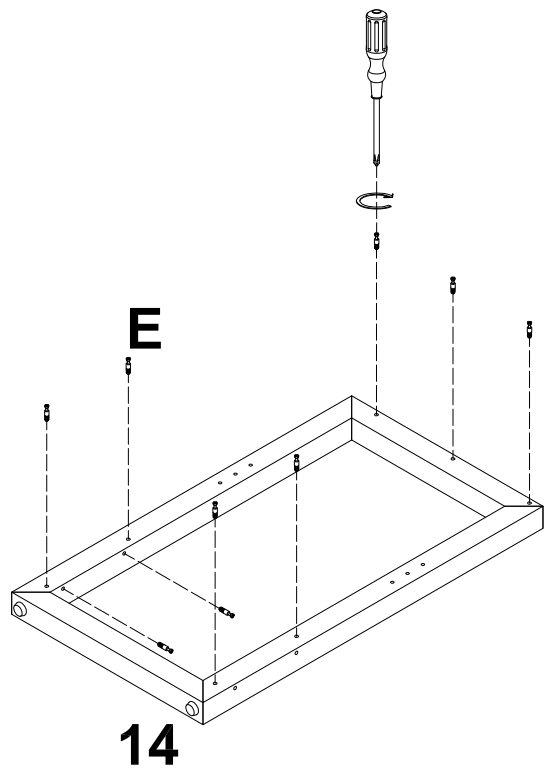
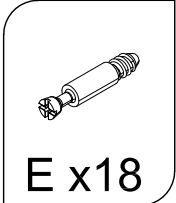
**X2**



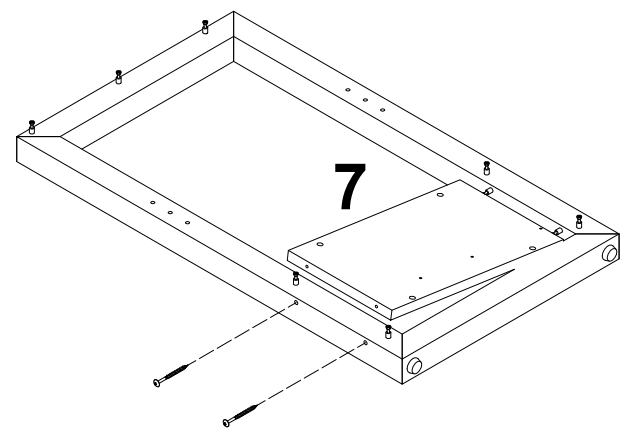
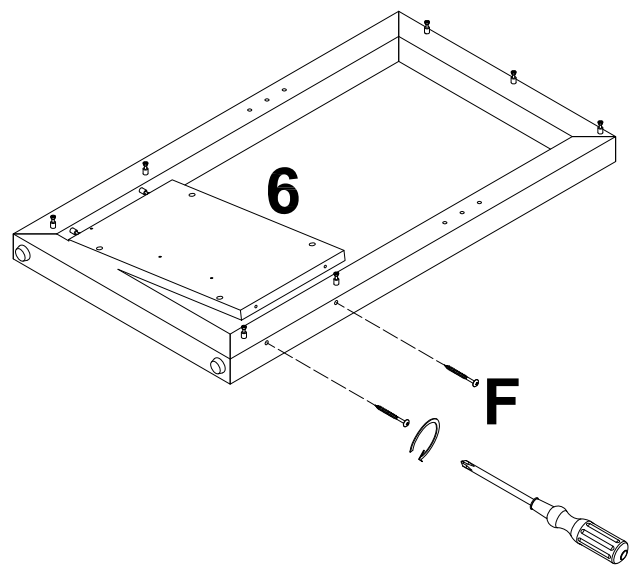
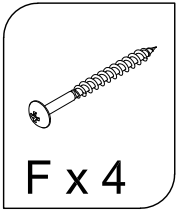
## Hardware List

<b>A</b>		<b>Ø8*30</b>	<b>Wood dowel</b>	<b>37+1pcs</b>
<b>B</b>		<b>Ø6*35</b>	<b>Cam bolt</b>	<b>36+1pcs</b>
<b>C</b>		<b>Ø15*12</b>	<b>Cam lock</b>	<b>36+1pcs</b>
<b>D</b>		<b>Ø15*10</b>	<b>Cam lock</b>	<b>14+1pcs</b>
<b>E</b>		<b>Ø6*25</b>	<b>Cam bolt</b>	<b>18pcs</b>
<b>F</b>		<b>Ø5*60</b>	<b>Screw</b>	<b>4pcs</b>
<b>G</b>		<b>Ø3*12</b>	<b>Screw</b>	<b>40+2pcs</b>
<b>H</b>		<b>Ø6*50</b>	<b>Screw</b>	<b>4pcs</b>
<b>I</b>		<b>Ø4*30</b>	<b>Screw</b>	<b>18pcs</b>
<b>J</b>		<b>Ø3*12</b>	<b>Screw</b>	<b>12pcs</b>
<b>K</b>			<b>Glass Clip</b>	<b>8pcs</b>
<b>L</b>			<b>Drawer Pull</b>	<b>3set</b>
<b>M</b>		<b>M4*22</b>	<b>Drawer Blot</b>	<b>6pcs</b>
<b>N</b>			<b>Drawer Side Slide</b>	<b>6pcs</b>
<b>O</b>			<b>Drawer Bottom Slide</b>	<b>6pcs</b>
<b>P</b>		<b>Ø15*30</b>		<b>48+1pcs</b>
<b>Q</b>		<b>M4</b>	<b>Hex Key</b>	<b>1pcs</b>
<b>R</b>			<b>Anti-Tipping</b>	<b>2set</b>
<b>S</b>			<b>Nut</b>	<b>2pcs</b>

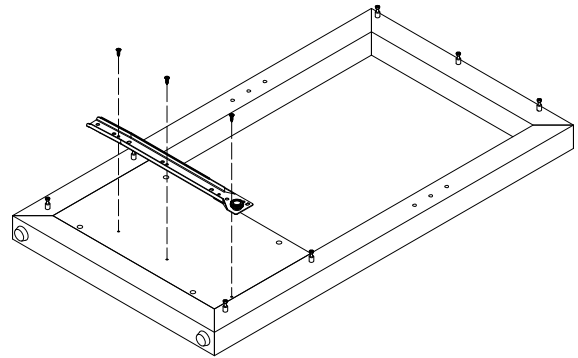
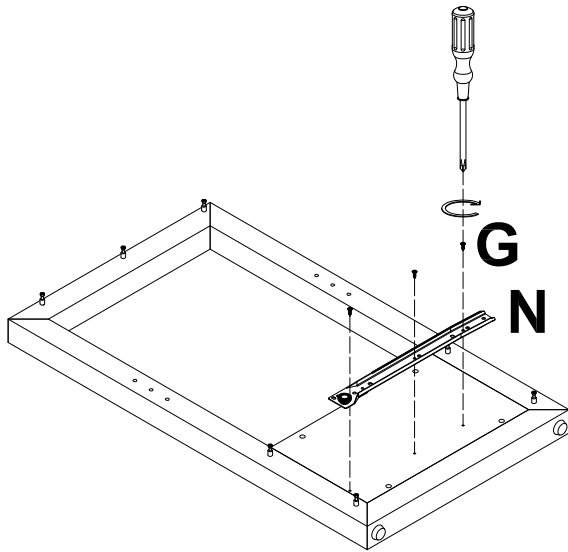
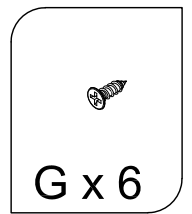
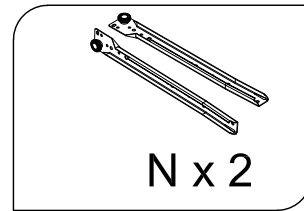
# Step 1



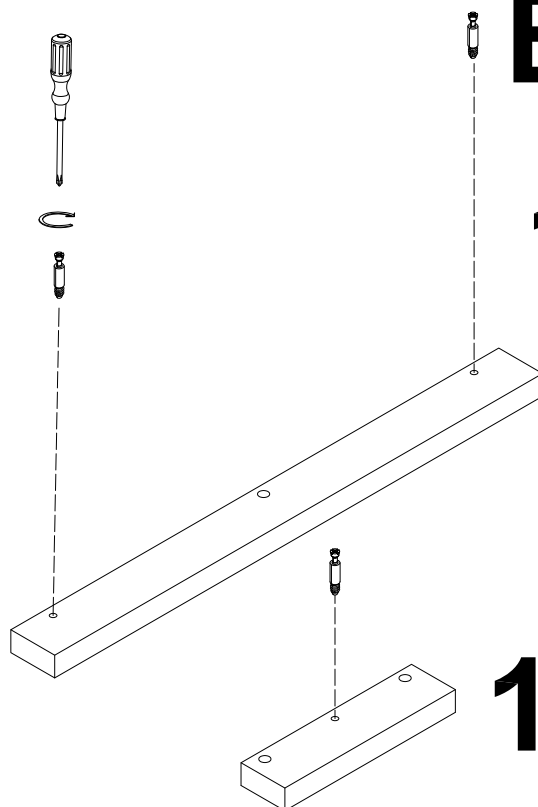
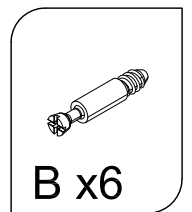
# Step 2



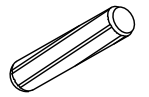
### Step 3



### Step 4



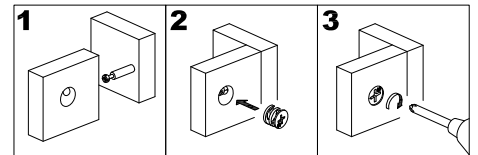
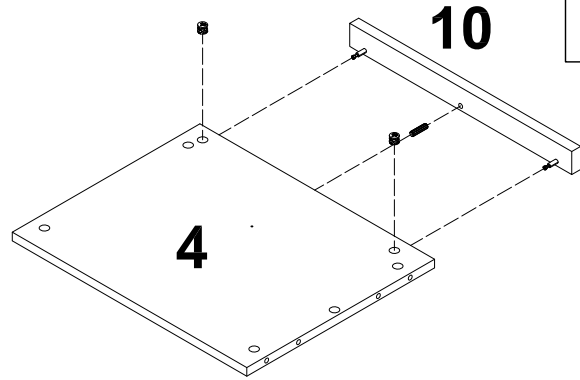
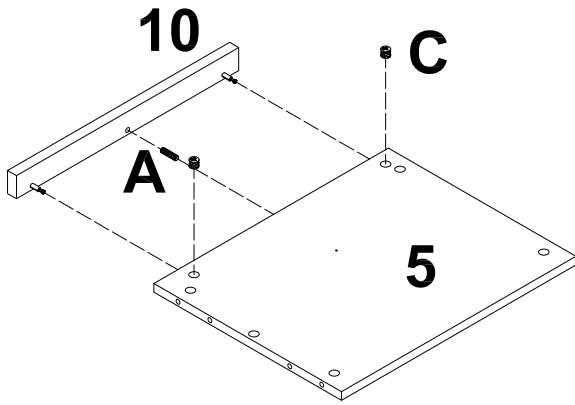
# Step 5



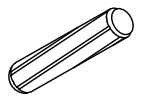
A x 2



C x 4



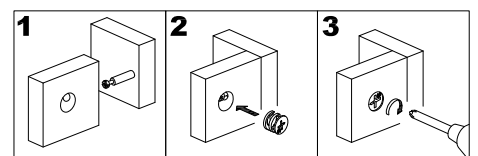
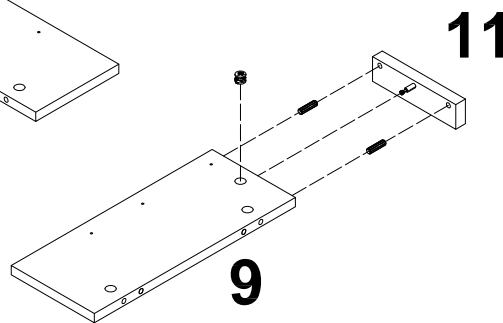
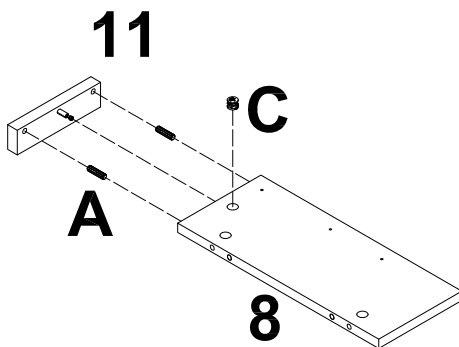
# Step 6



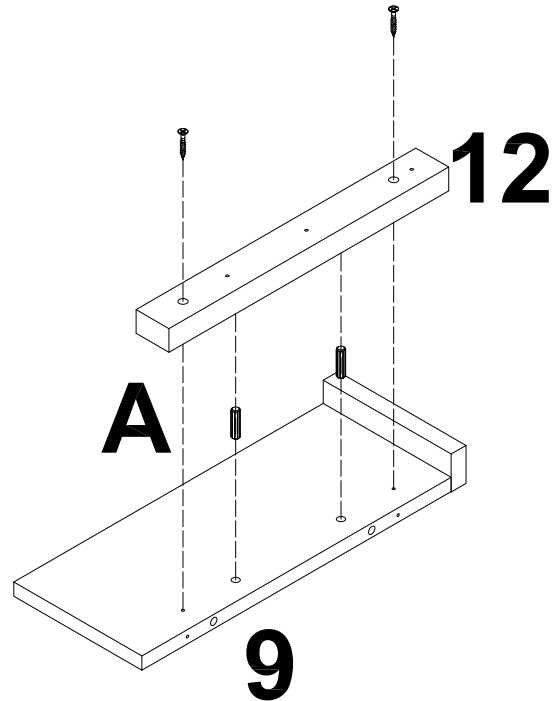
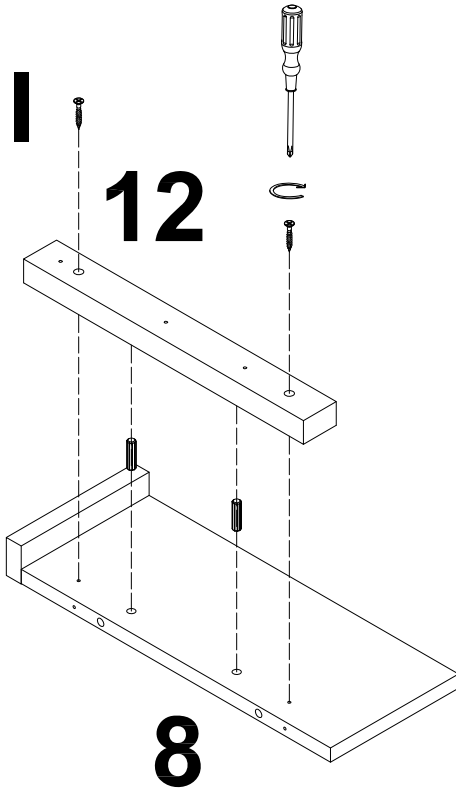
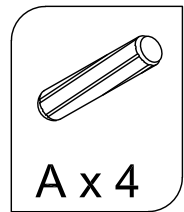
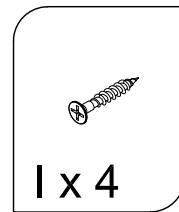
A x 4



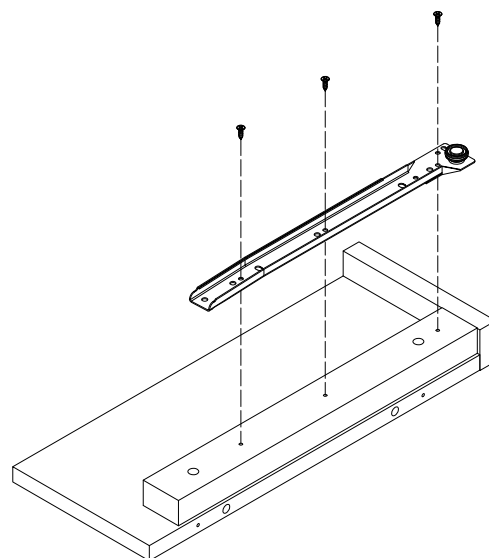
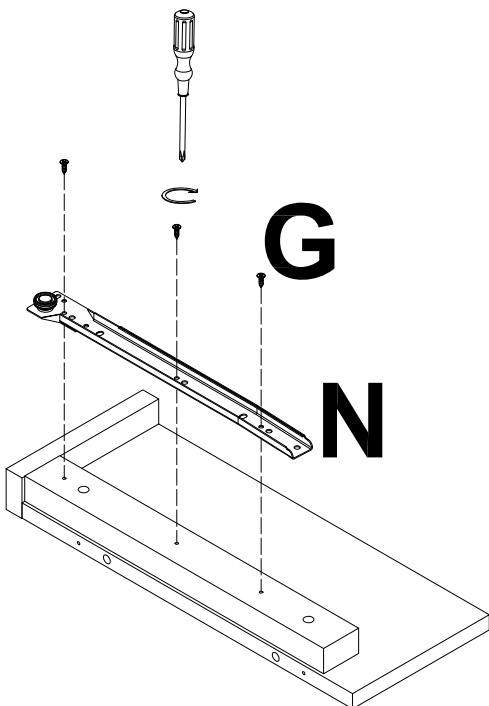
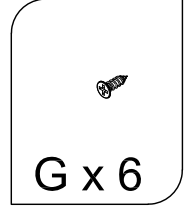
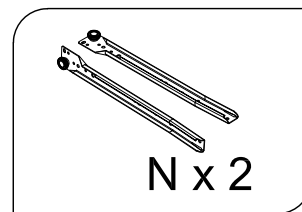
C x 2



# Step 7

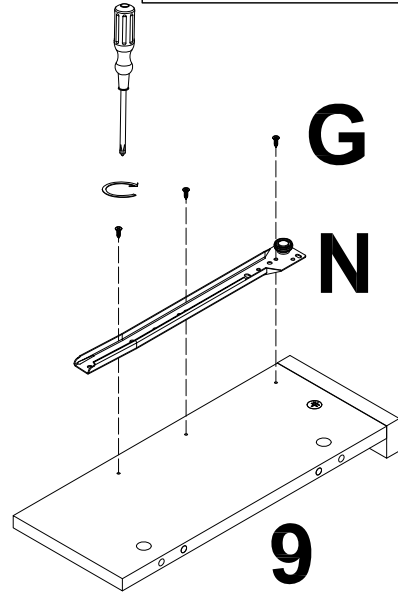
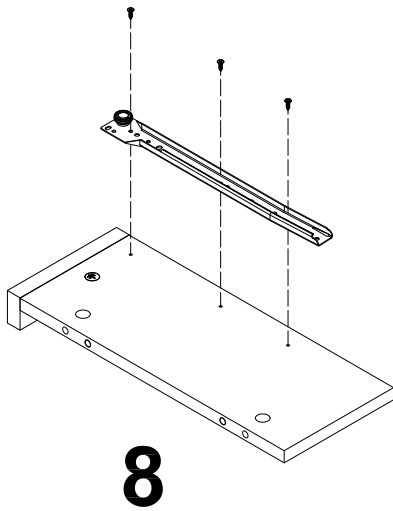
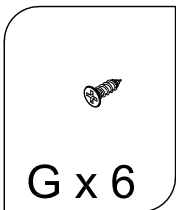
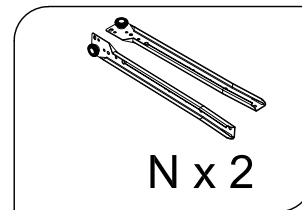


# Step 8

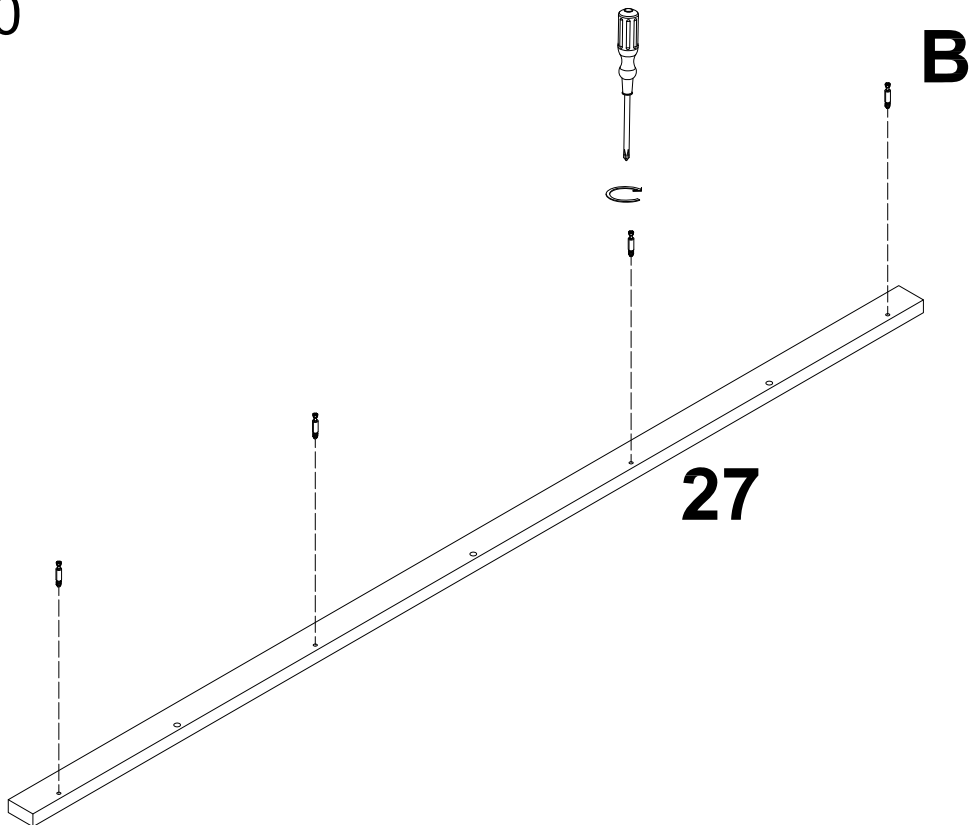
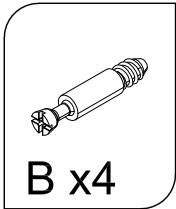




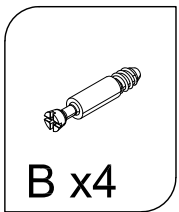
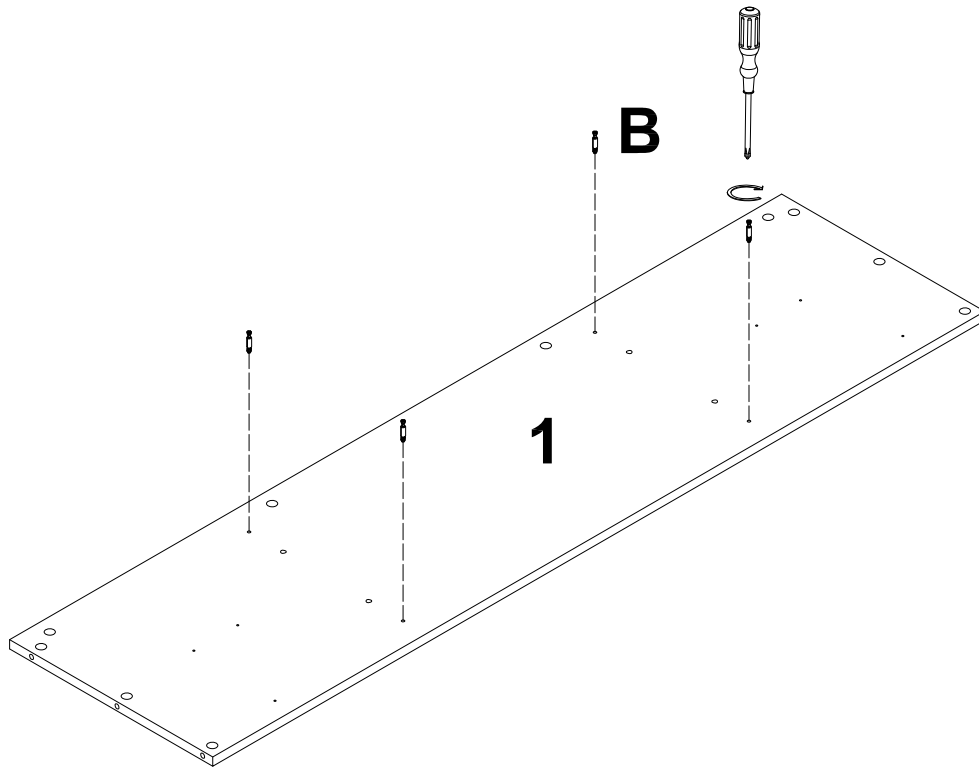
# Step 9



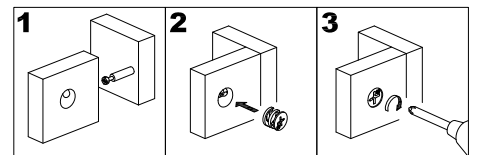
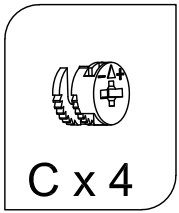
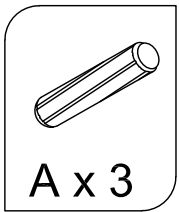
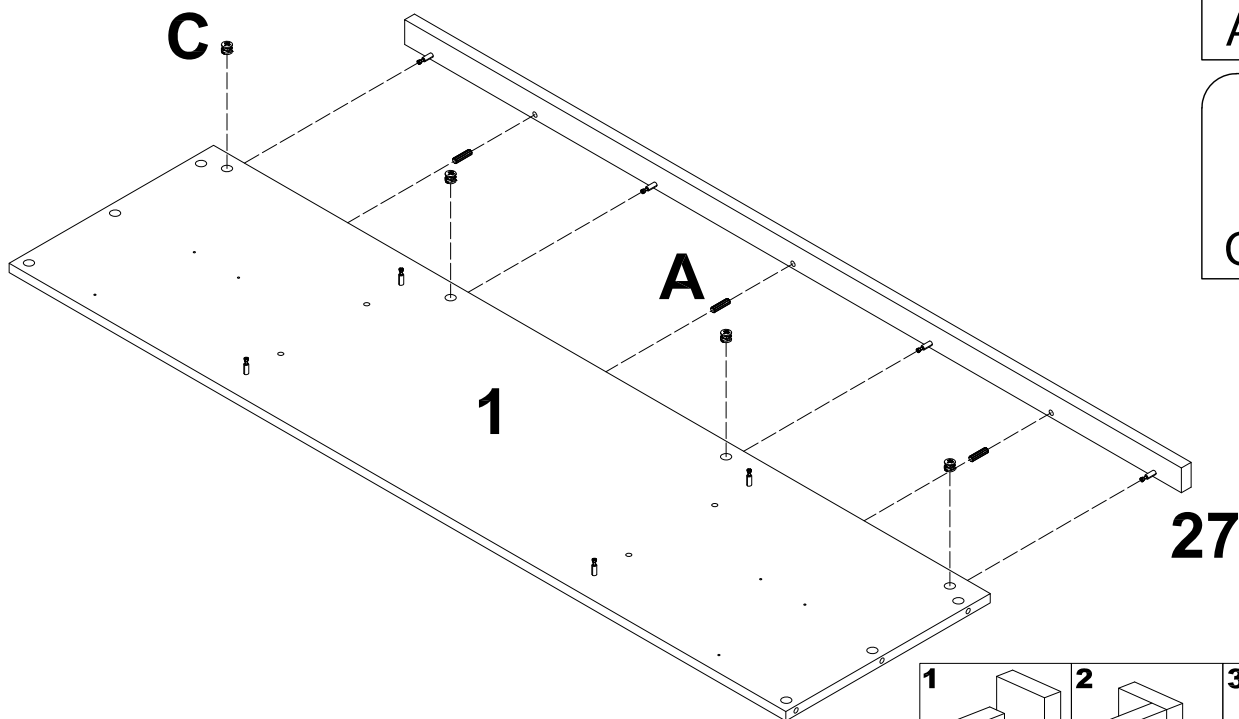
# Step 10



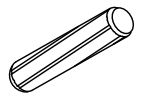
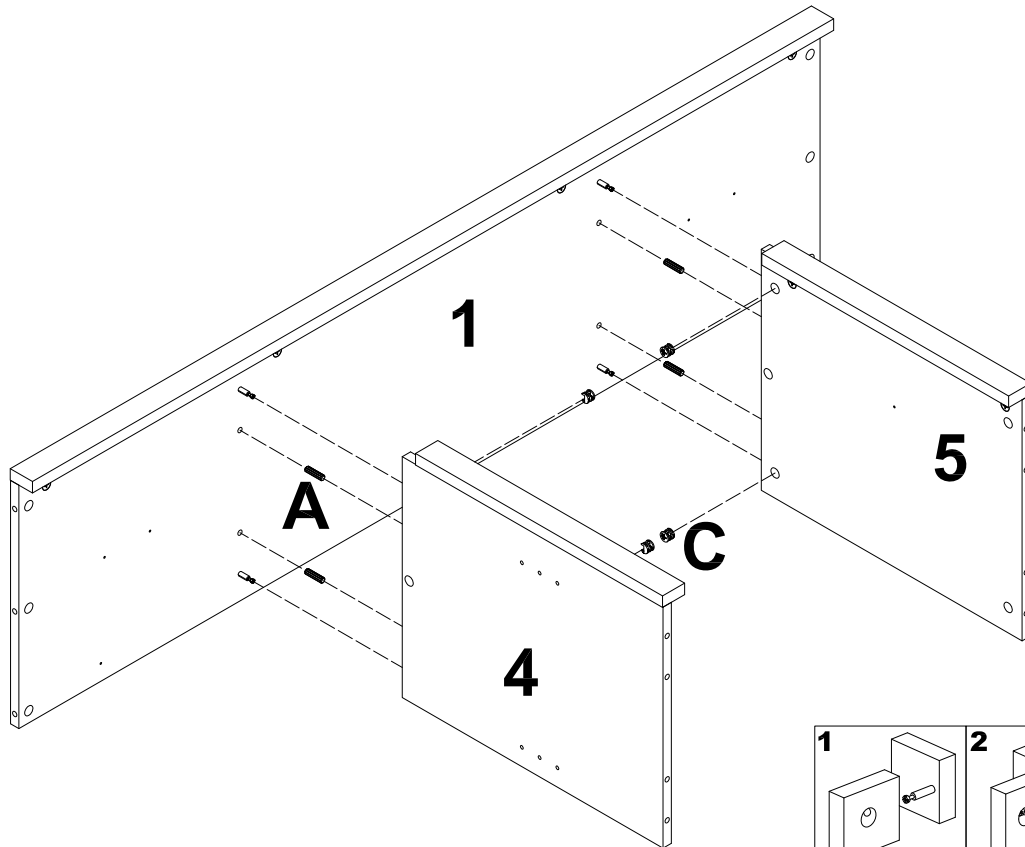
# Step 11



# Step 12



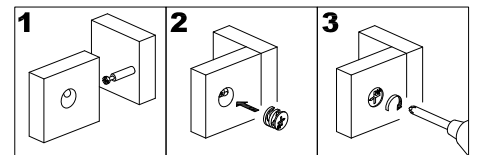
# Step 13



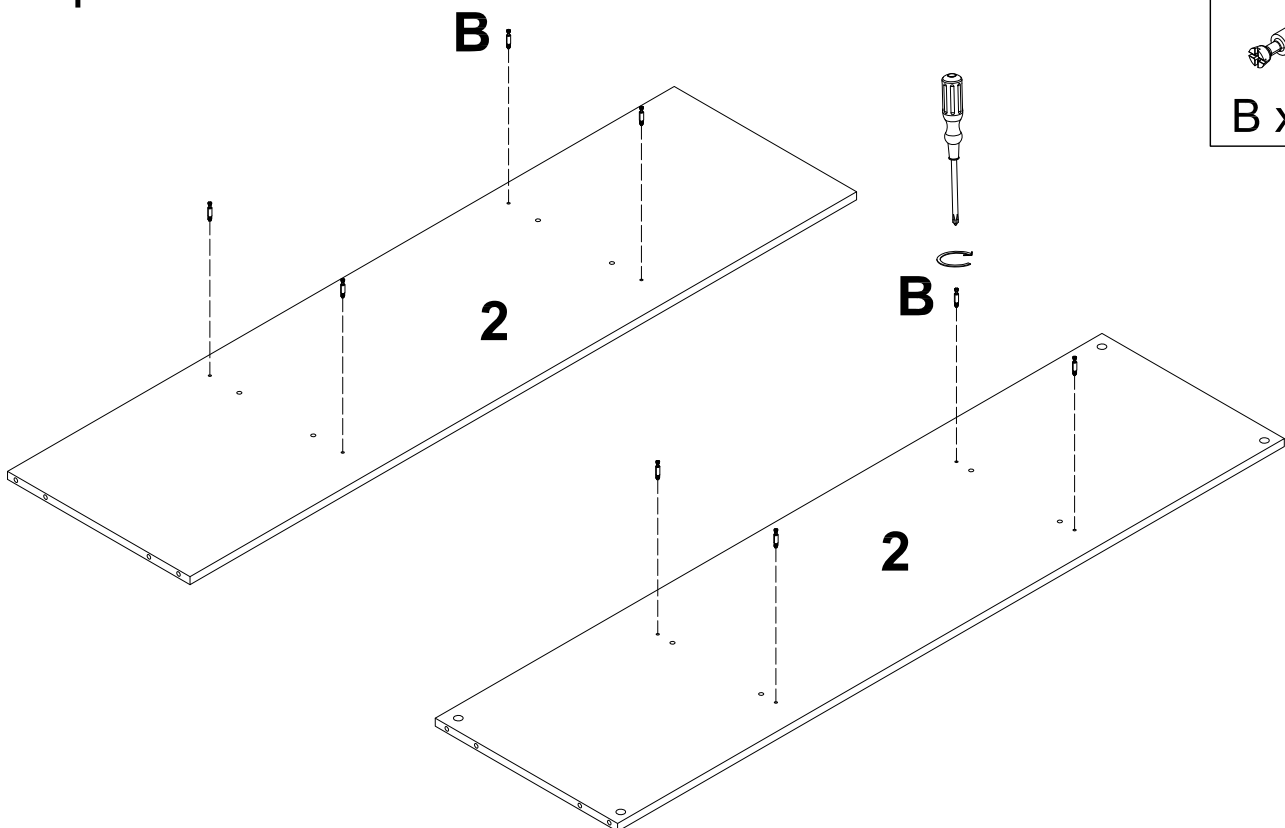
A x 4



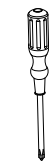
C x 4



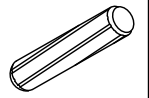
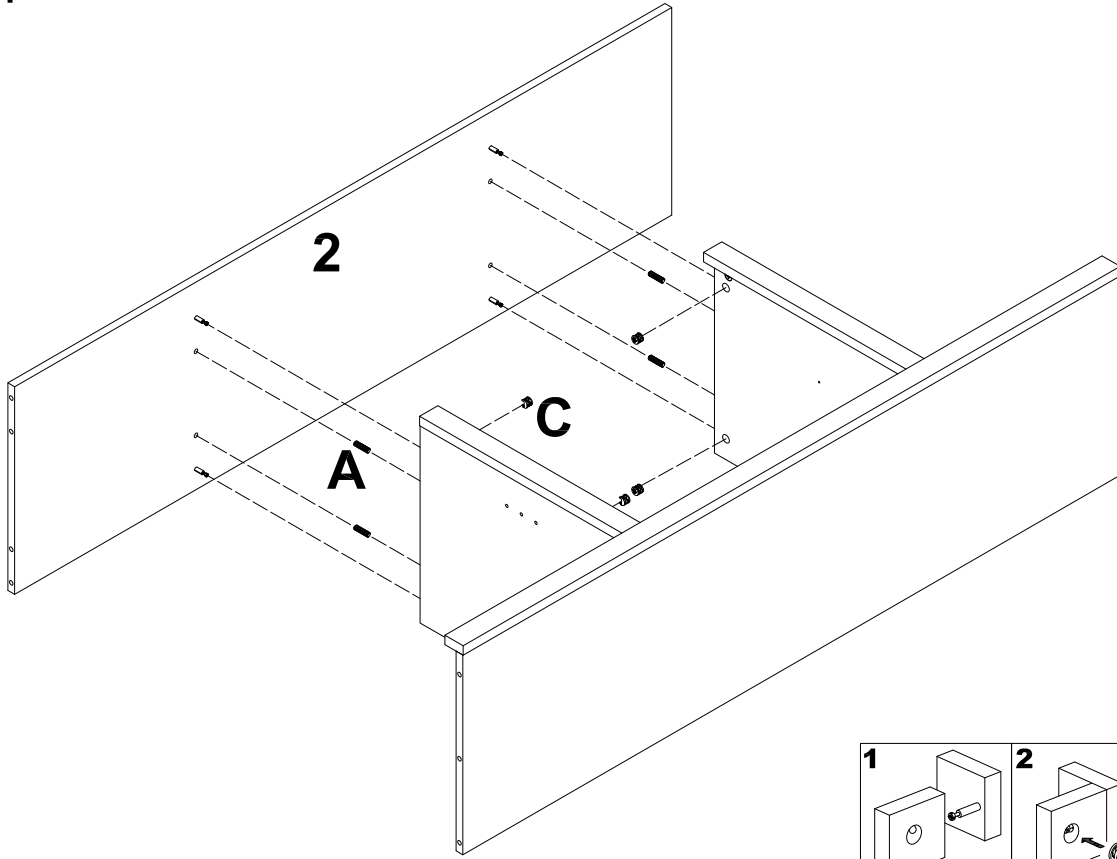
# Step 14



B x 8



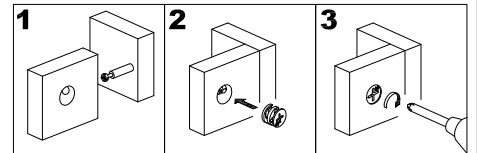
# Step 15



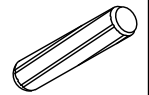
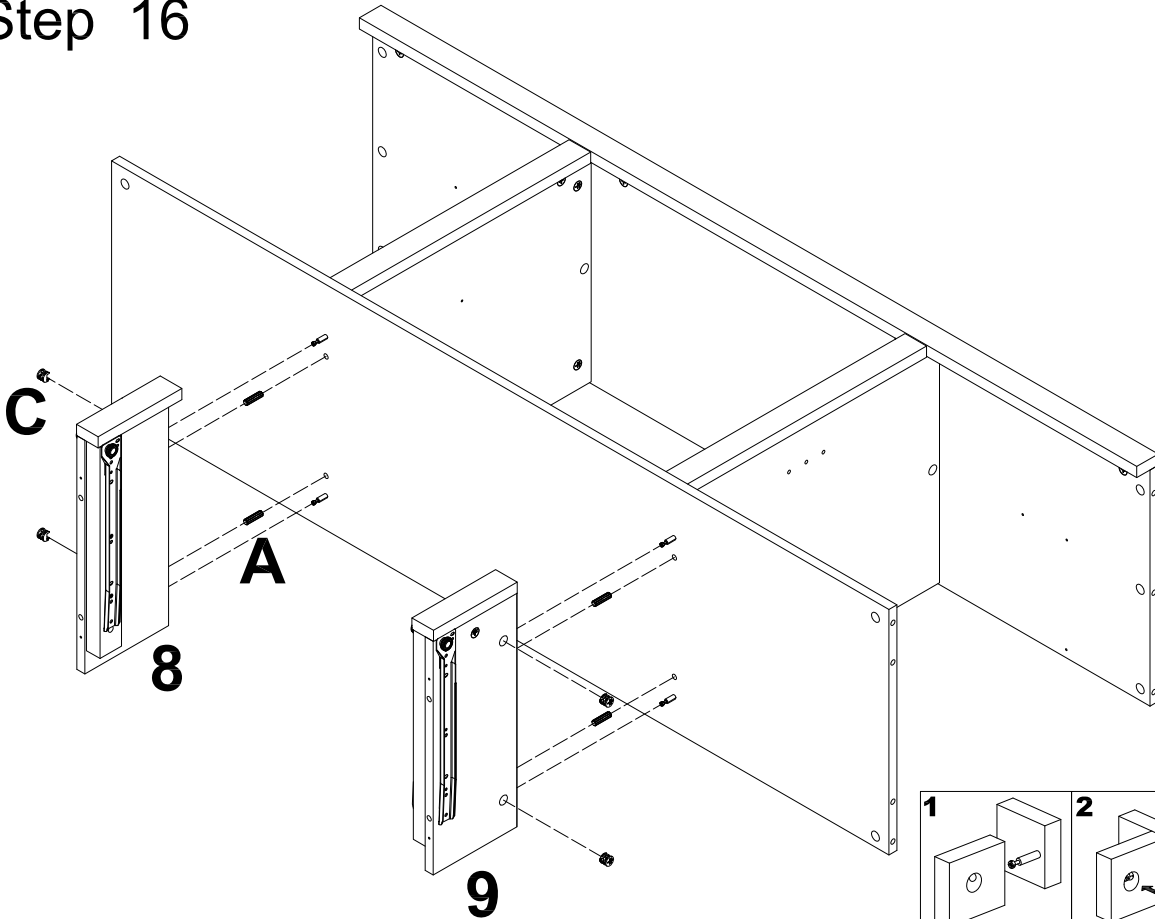
A x 4



C x 4



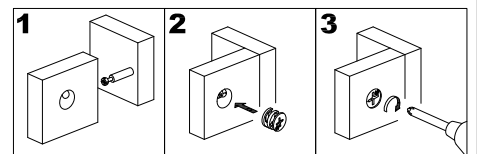
# Step 16



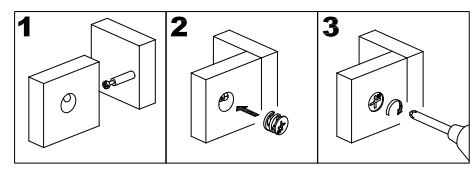
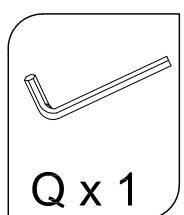
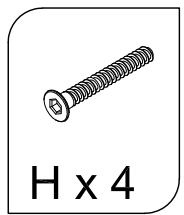
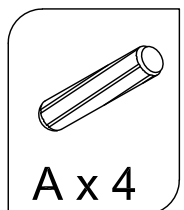
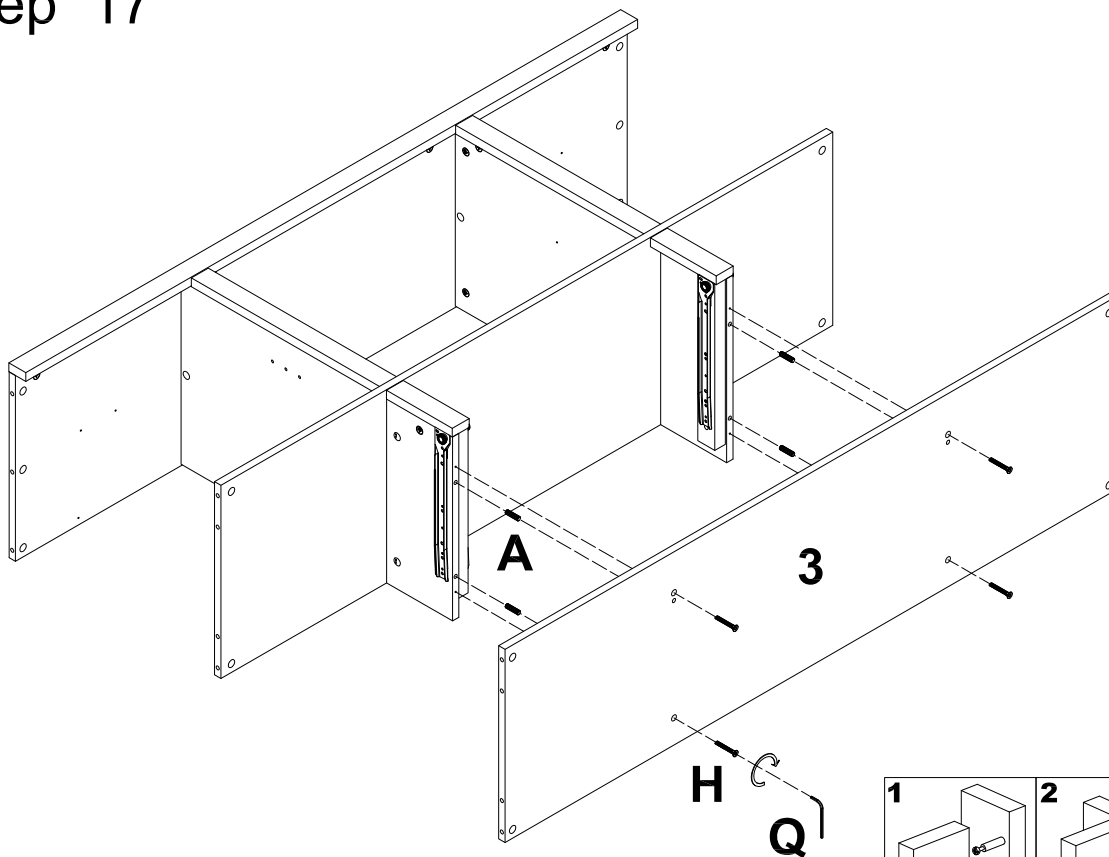
A x 4



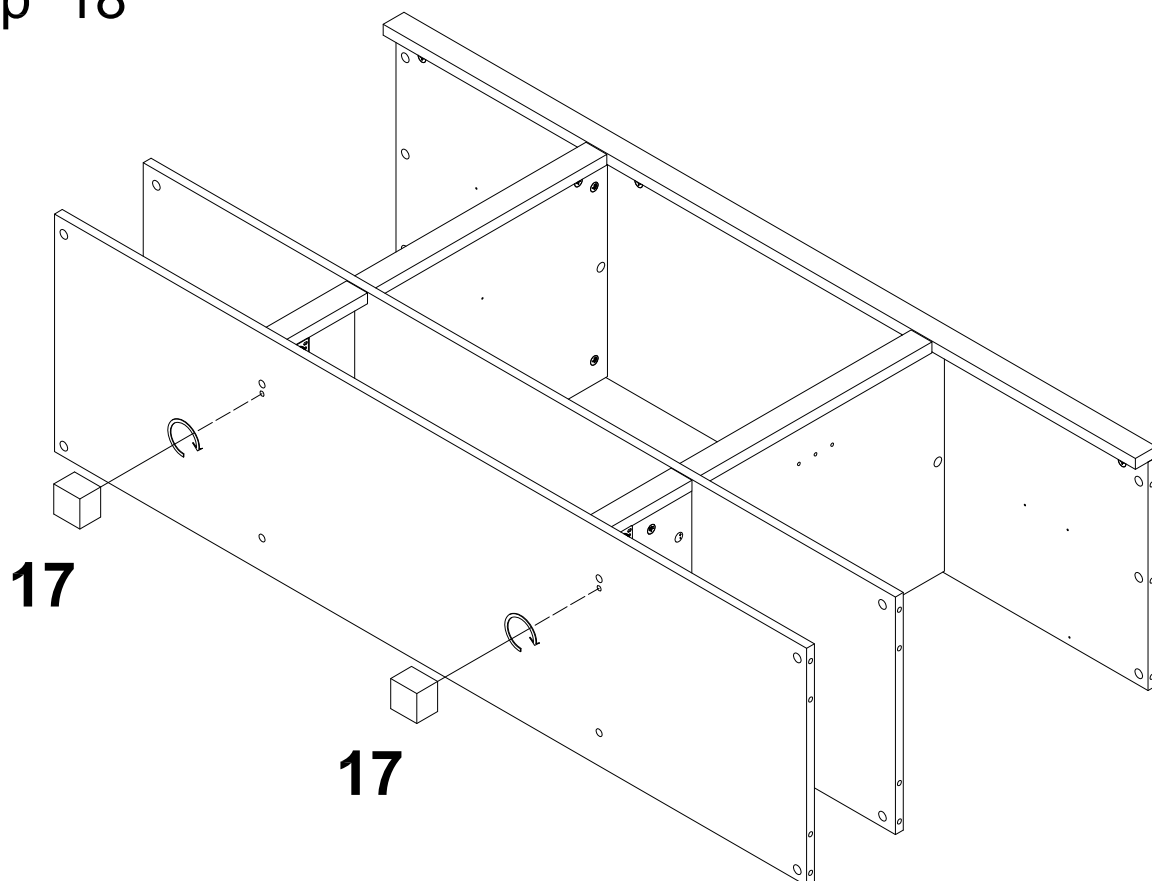
C x 4



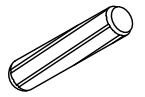
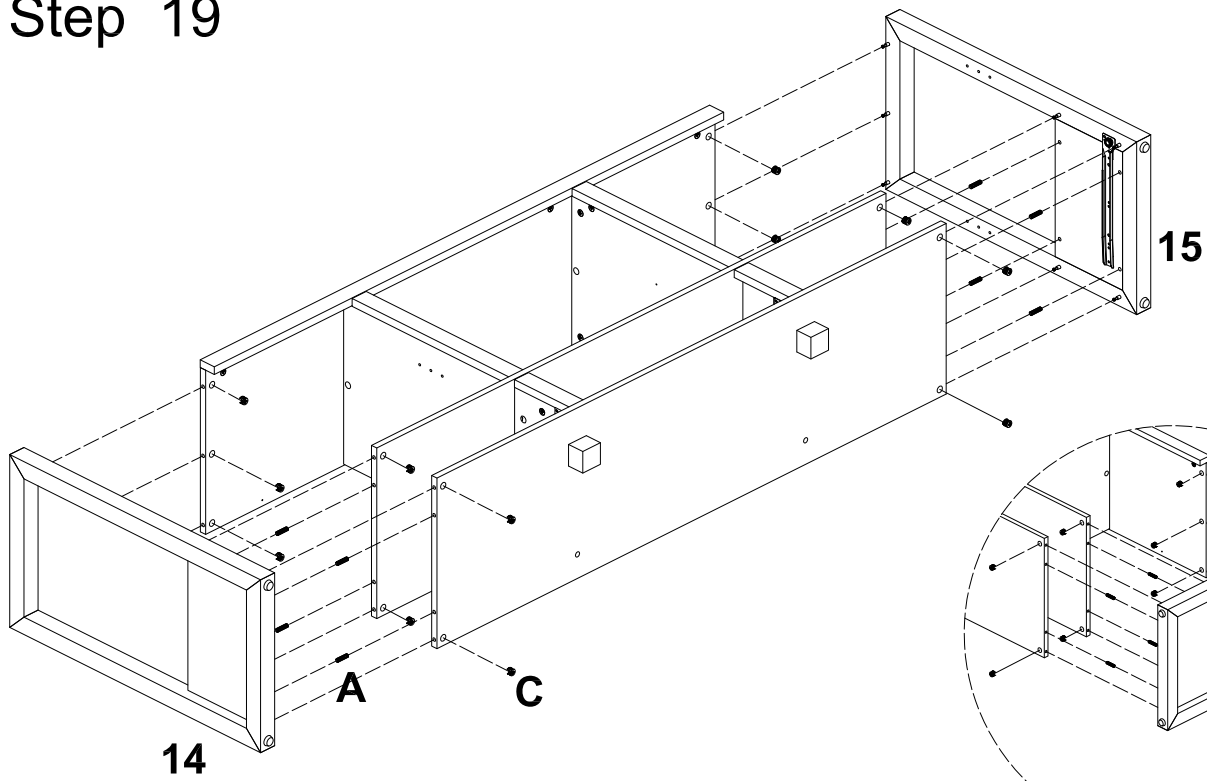
# Step 17



# Step 18



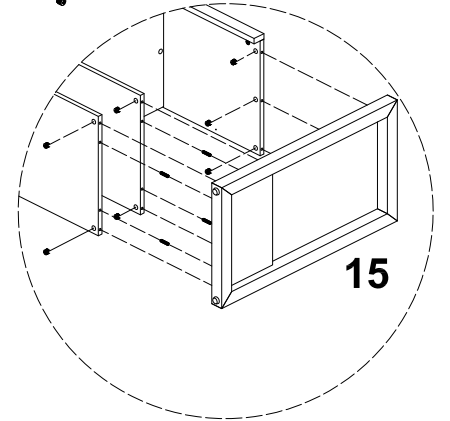
# Step 19



A x 8

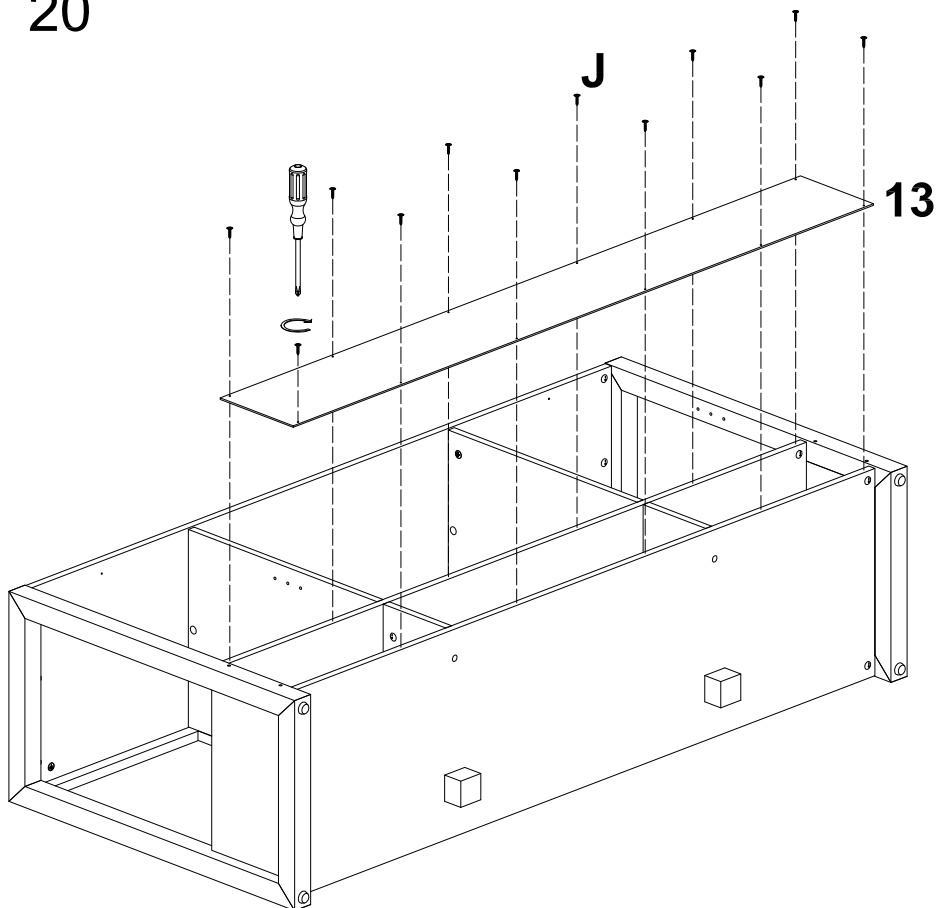


C x 14



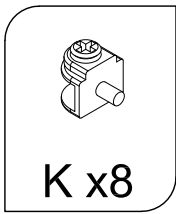
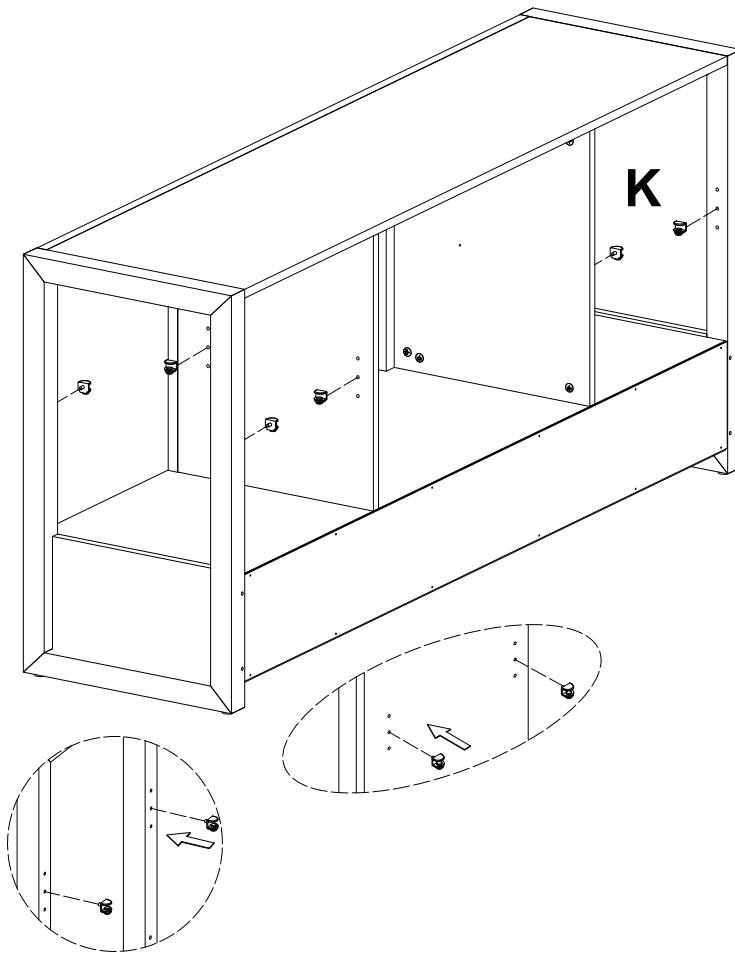
15

# Step 20

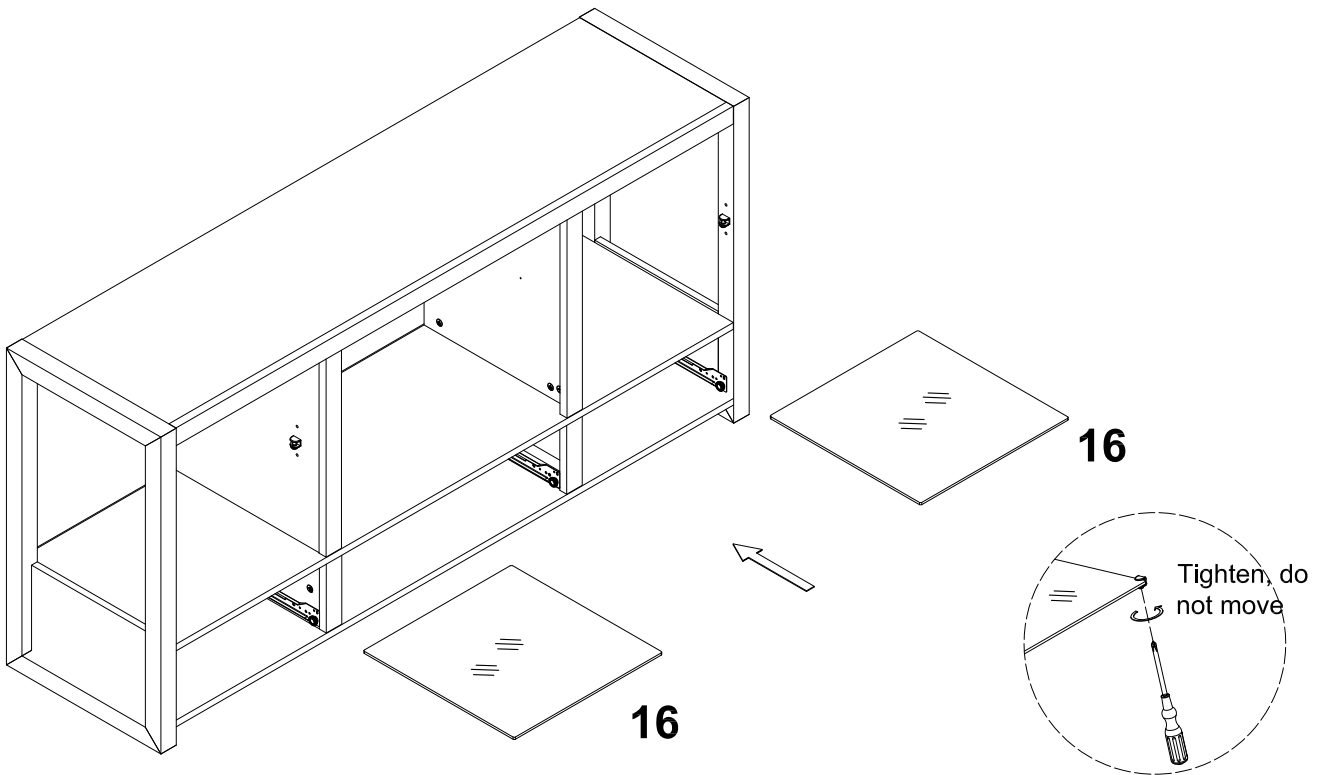


J x 12

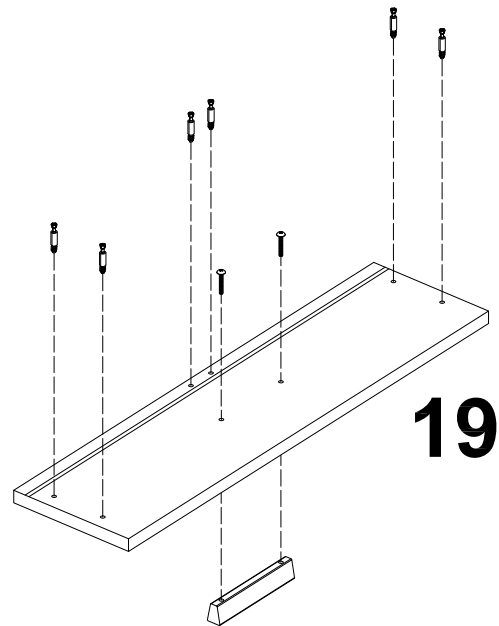
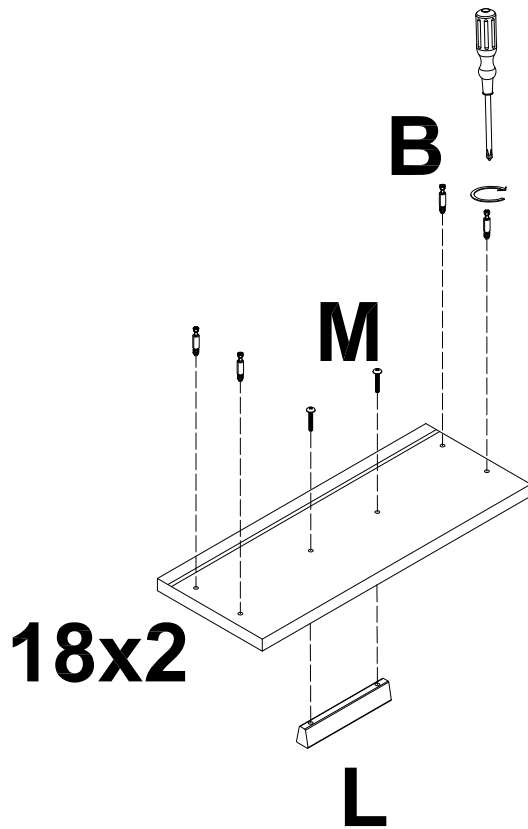
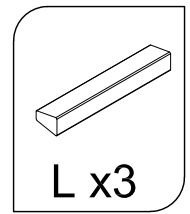
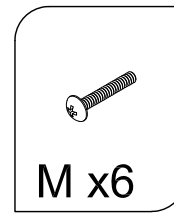
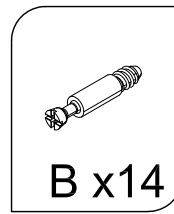
# Step 21



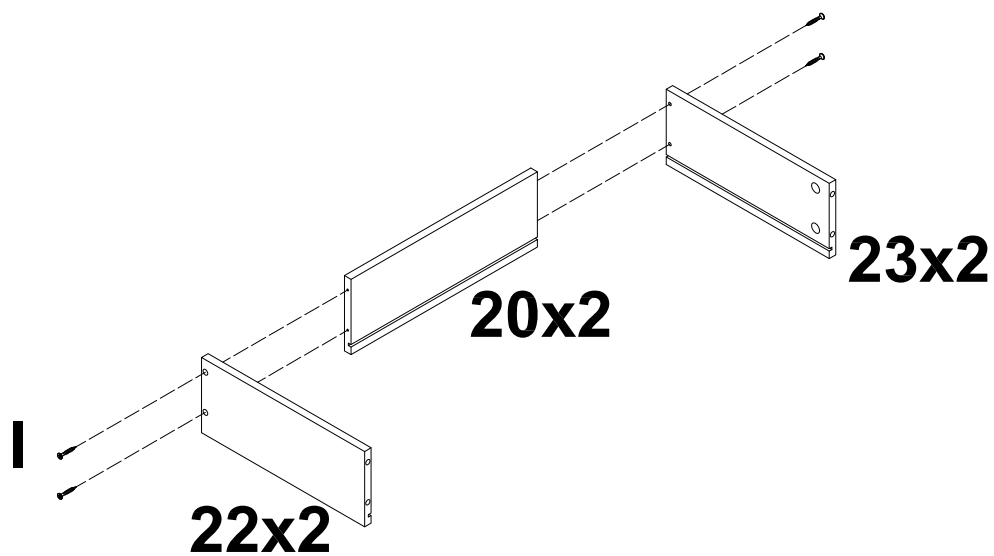
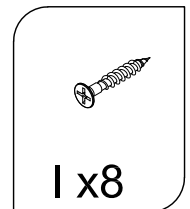
# Step 22



# Step 23

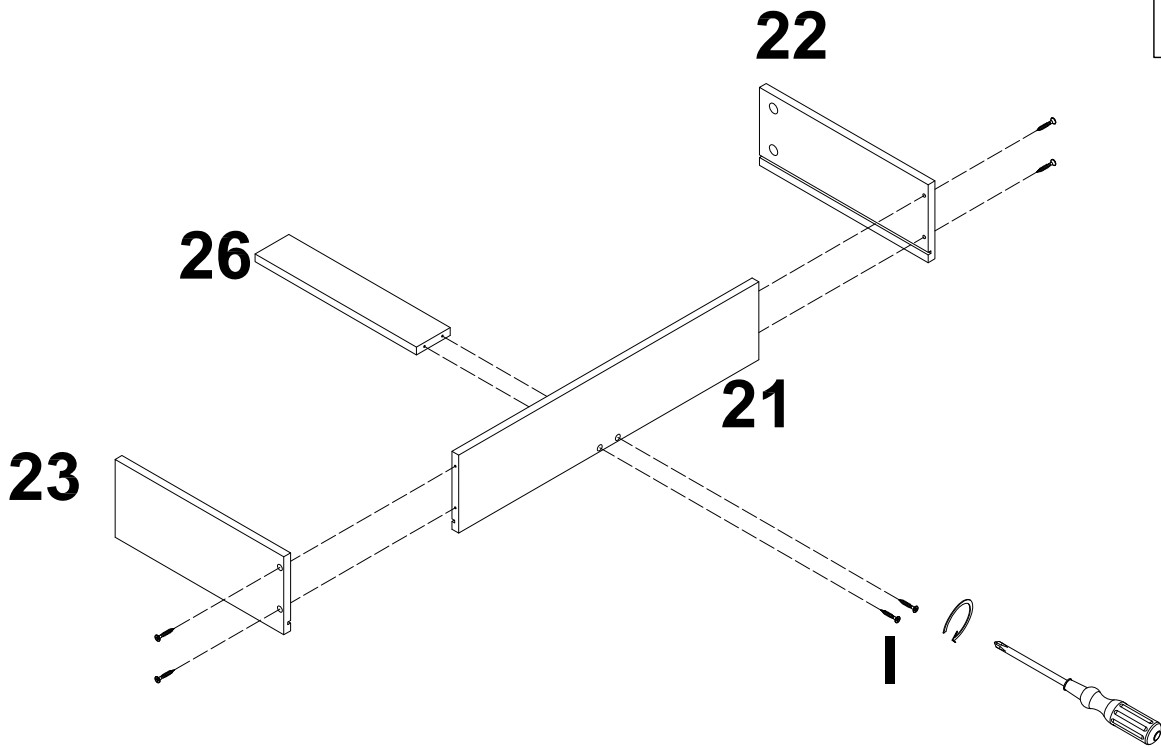
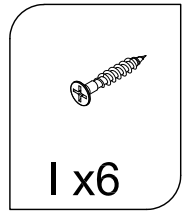


# Step 24

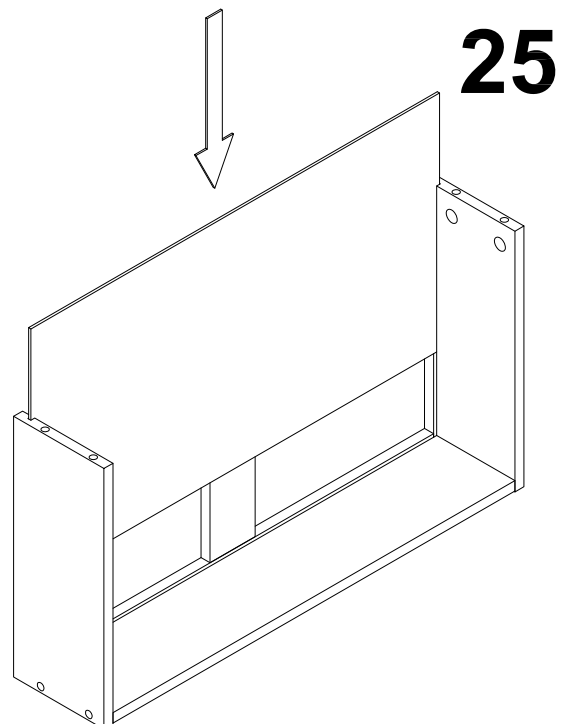
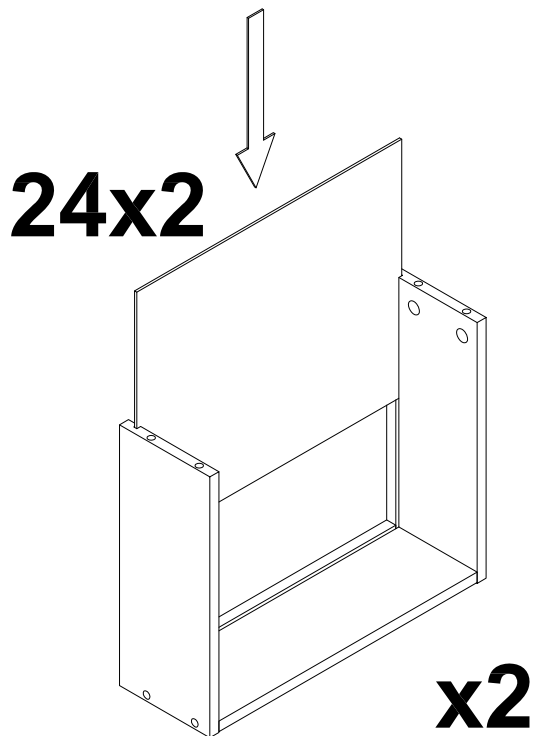




## Step 25



## Step 26

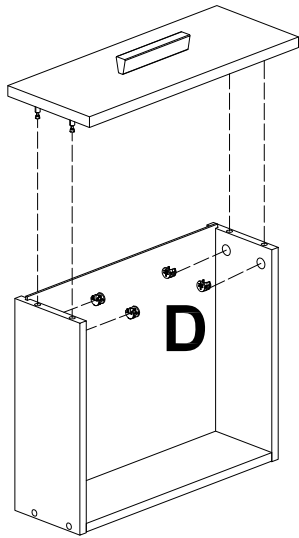


# Step 27

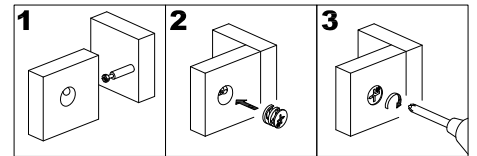
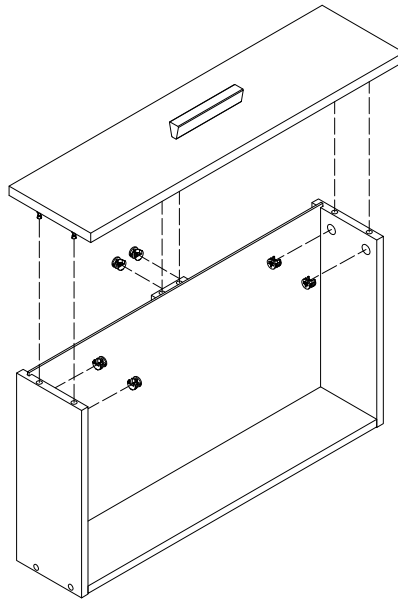


D x14

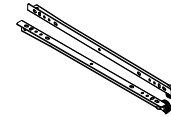
18x2



19



# Step 28



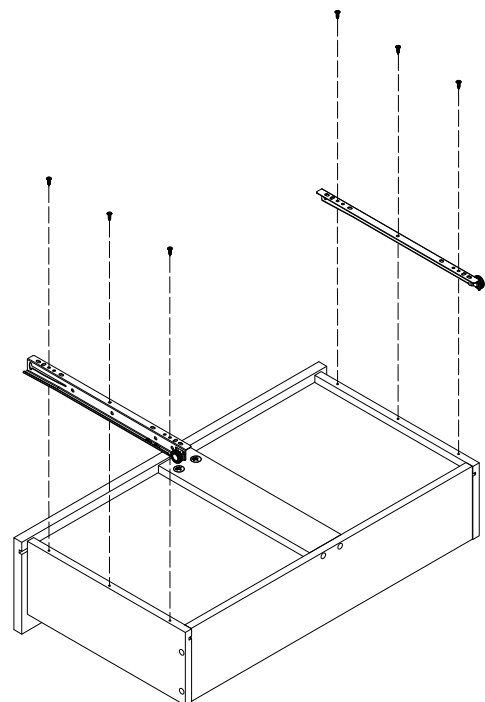
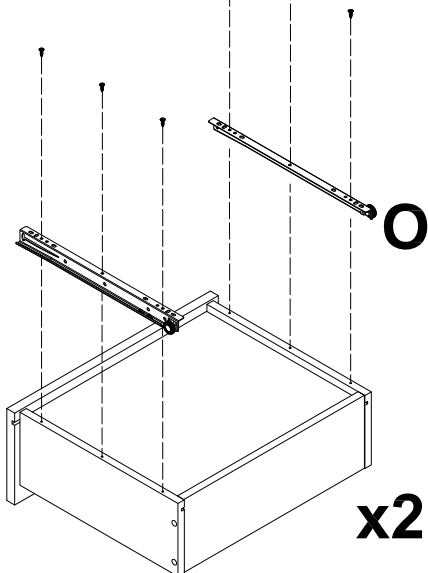
O x 6



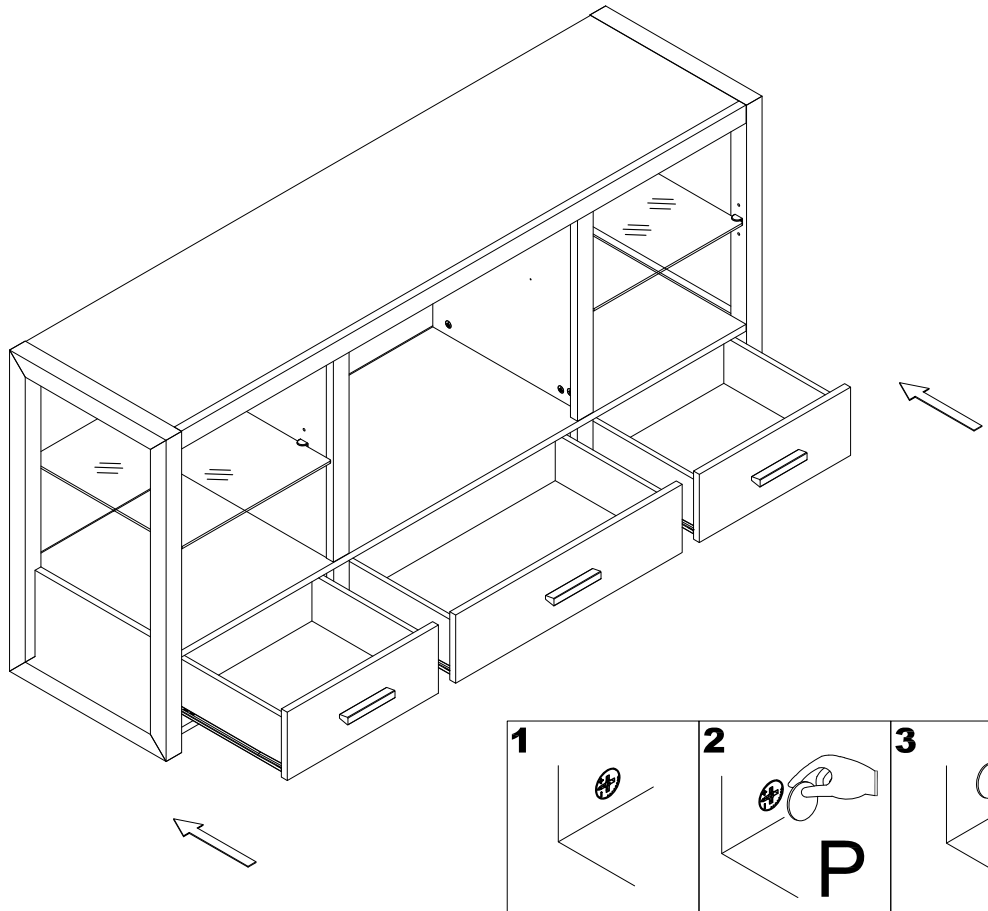
G x 18



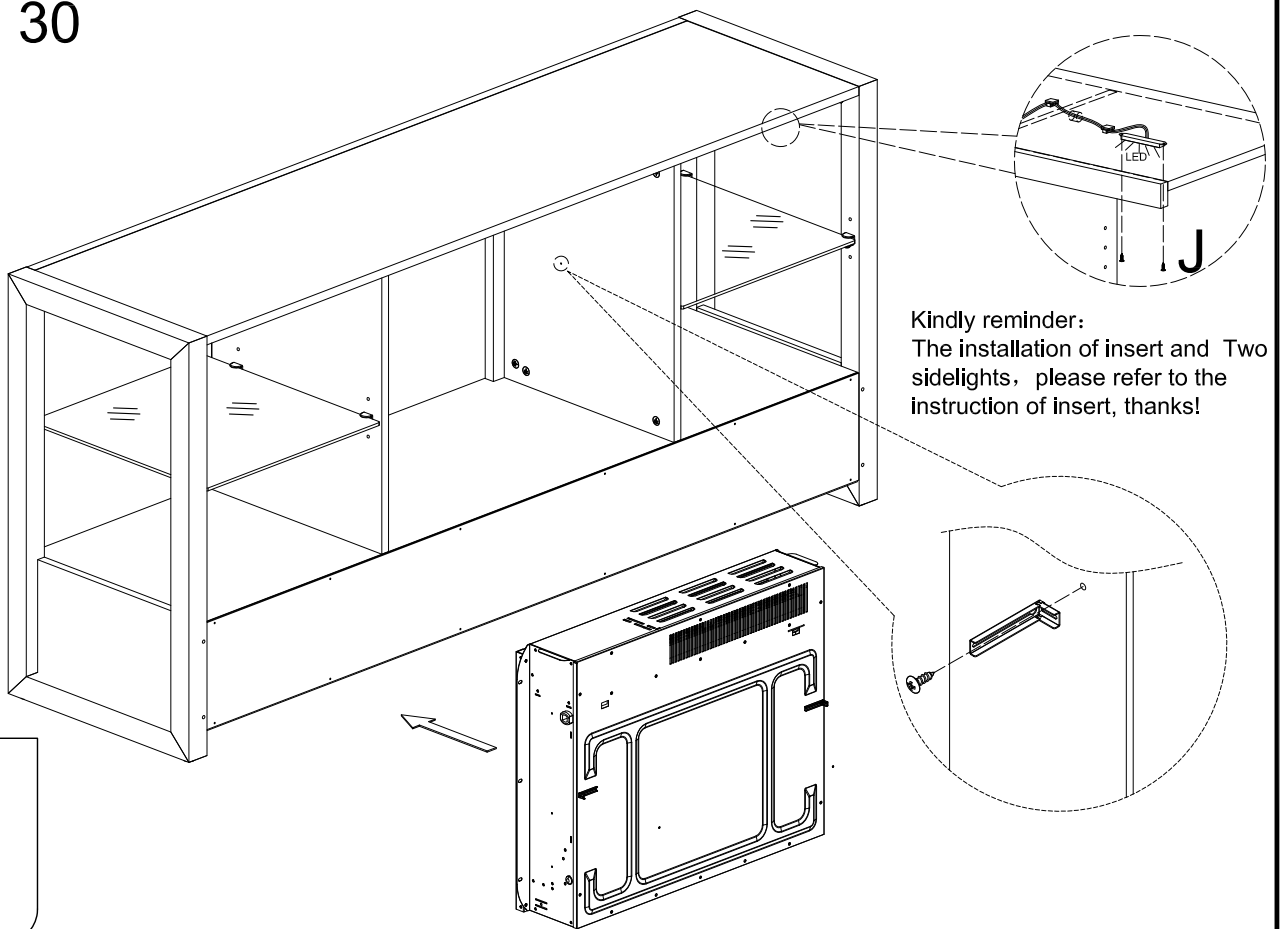
G



## Step 29



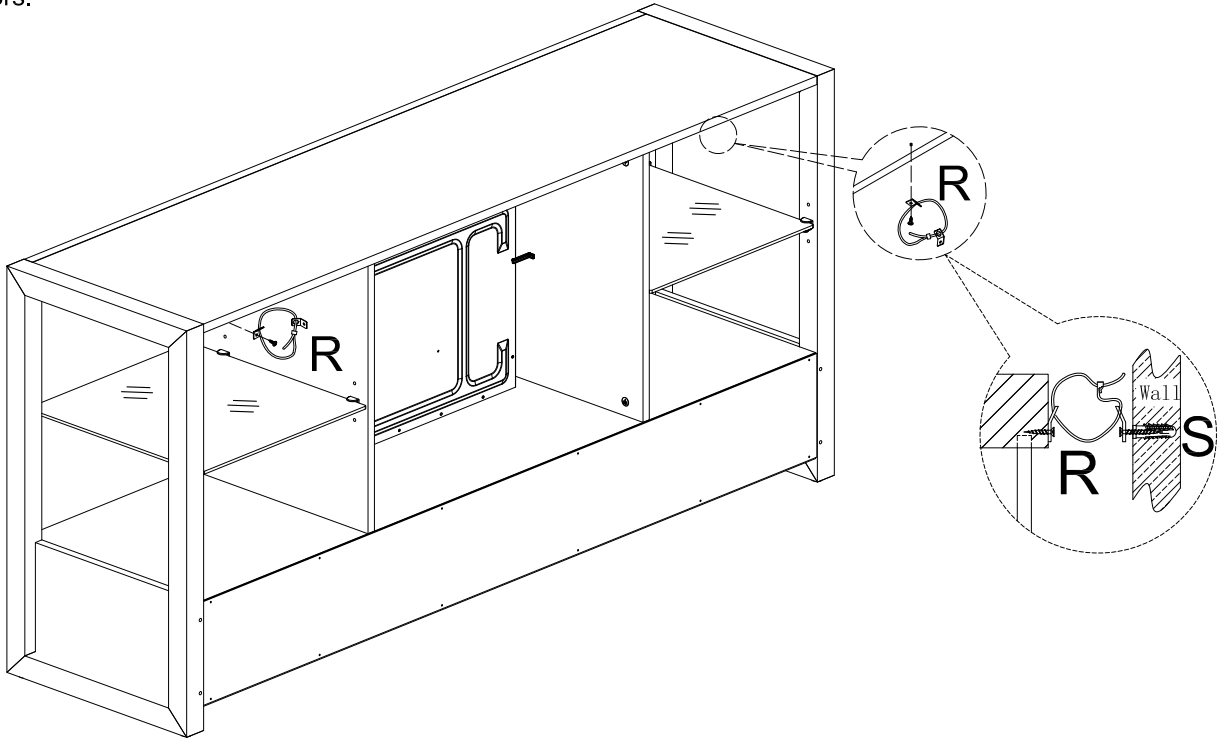
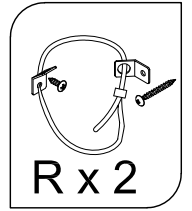
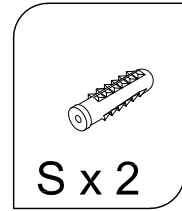
## Step 30



# Step 31

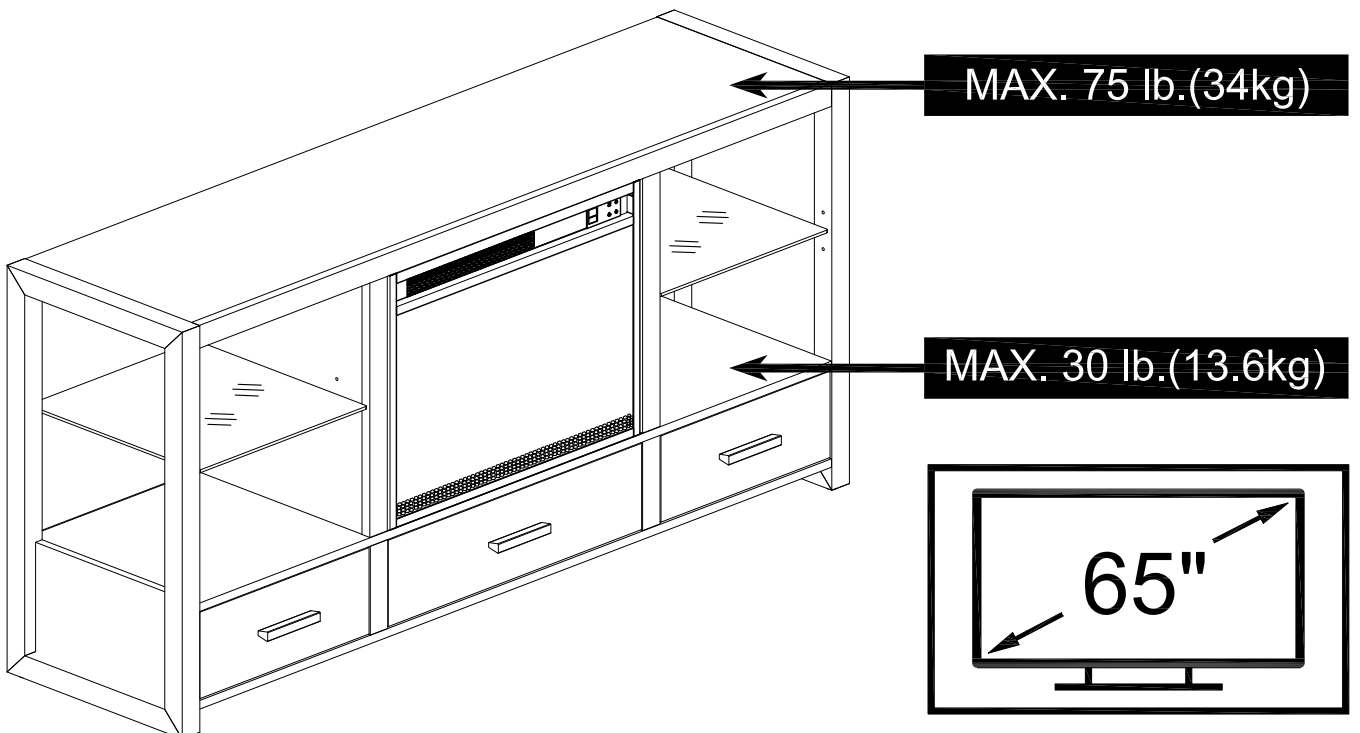
## WARNING

Serious or fatal injuries can occur from furniture tipping over. To prevent the furniture from tipping over we recommend that it is permanently fixed to the wall. Wall anchor and hardware are included with this product. Please make sure hardware is suitable for your walls before installing, as different wall materials may require different types of anchors.



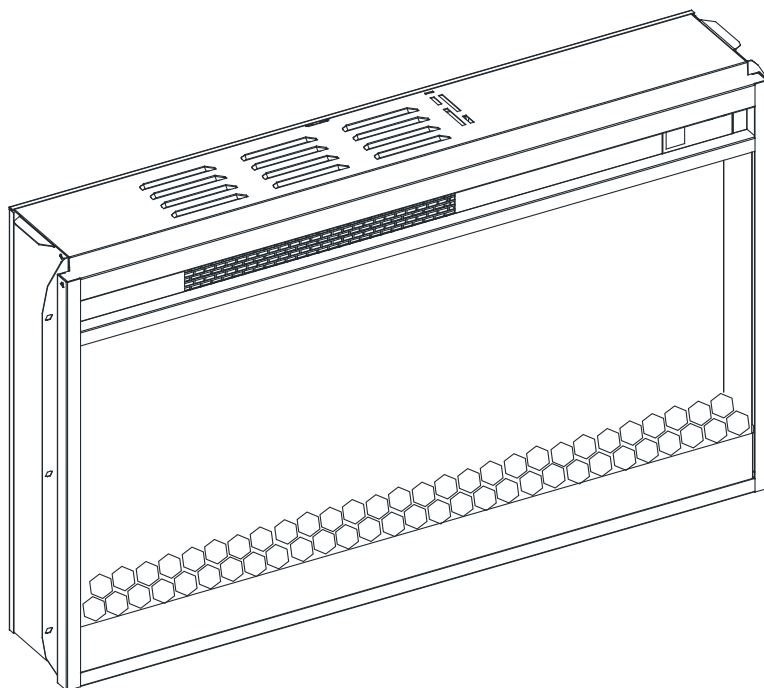
**CAUTION:** This unit is intended for use only with the products and maximum weights indicated. Use with other products or products heavier than the maximum weights indicated may result in instability causing possible injury.

Note: Flat Panel TVs with base support should be placed squarely in the center of the stand with no overhang on any side.



YOU'RE FINISHED!

# **ELECTRIC FIREPLACE HOMEOWNERS OPERATING MANUAL**



---

**CONSUMER SAFETY INFORMATION: PLEASE READ THIS MANUAL BEFORE INSTALLING AND OPERATING THIS APPLIANCE. FAILURE TO FOLLOW THESE INSTRUCTIONS MAY RESULT IN A POSSIBLE ELECTRIC SHOCK, FIRE HAZARD, AND/OR INJURY AND WILL VOID THE WARRANTY.**

**WARNING: IF THE INFORMATION IN THIS MANUAL IS NOT FOLLOWED, AN ELECTRIC SHOCK OR FIRE MAY RESULT IN PROPERTY DAMAGE, PERSONAL INJURY, OR LOSS OF LIFE.**

**THIS INSTRUCTION BOOKLET CONTAINS IMPORTANT SAFETY INFORMATION. PLEASE READ AND KEEP FOR FUTURE REFERENCE.**

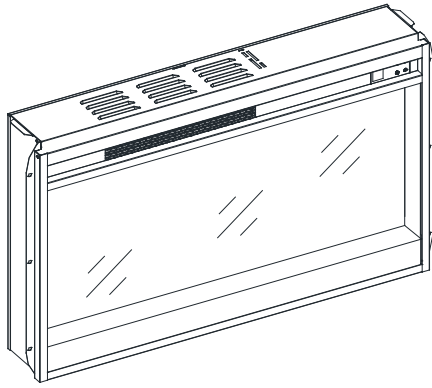
# IMPORTANT INSTRUCTIONS

When using electrical appliances, basic precautions should always be followed to reduce the risk of fire, electrical shock, and/or injury including the following:

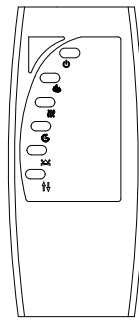
1. Read all instructions before using this heater.
2. This heater is hot when in use. To avoid burns, do not let bare skin touch hot surfaces. If provided, use handles when moving this heater.  
DANGER: High temperature may be generated under certain abnormal conditions. Do not partially or fully cover or obstruct the front of the heater.  
WARNING: In order to avoid overheating, do not cover the heater. It cannot be used in a closet.
3. CAUTION: The appliance should not be used by children or persons with reduced physical, sensory or mental capabilities.
4. Children should be advised not to play with the appliance.
5. Always unplug this appliance when not in use.
6. Do not operate any heater with a damaged cord or plug or after the appliance malfunctions, or if it has been dropped or damaged in any manner.
7. If the supply cord is damaged, it must be replaced by the manufacturer, it's service agent or similarly qualified persons in order to avoid a hazard.
8. Any repairs to this fireplace should be carried out by a qualified service person.
9. Under no circumstances should this fireplace be modified. Parts having to be removed for servicing must be replaced prior to operating this fireplace again.
10. Do not use outdoors.
11. This heater is not intended for use in bathrooms, laundry areas and similar indoor locations. Never locate this appliance where it may fall into a bathtub or other water container.
12. Do not run cord under carpeting. Do not cover cord with throw rugs, runners or the like. Arrange cord away from traffic areas and where it will not be tripped over.
13. To disconnect this appliance, turn controls to the off position, then remove plug from outlet.
14. Connect to properly grounded outlet only.
15. This appliance, when installed, must be electrically grounded in accordance with local codes or, in the absence of local codes, with the current CSA C22.1 Canadian Electrical Code or for USA installations, follow local codes and the National Electrical Code, ANSI/NFPA NO.70.
16. There is a protective thermostat limiter inside the heater. When the inner temperature over heat, the thermostat limiter will shut off the power supply to avoid the risk of fire damage to the appliance.
17. The heaters must not be located immediately below a socket-outlet.
18. Do not insert or allow foreign objects to enter any ventilation or exhaust opening as this may cause an electric shock or fire, or damage the appliance.
19. To prevent a possible fire, do not block air intakes or exhaust in any manner. Do not use on soft surfaces, like bed, where opening may become blocked.
20. This appliance has hot and arcing or sparking parts inside. Do not use where gasoline, paint, or flammable liquids are used or stored. This fireplace should not be used as a drying rack for clothing. Christmas stockings or decorations should not be hung in area of it.
21. Use this appliance only as described in the manual. Any other use not recommended by the manufacturer may cause fire, electric shock or injury to persons.
22. Always plug heaters directly into a wall outlet/receptacle. Never use with an extension cord or relocatable power tap (outlet/power strip).

## SAVE THESE INSTRUCTIONS

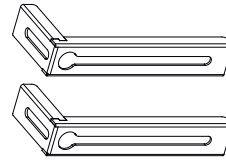
# PACKAGE CONTENTS



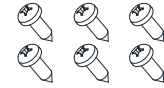
Fireplace



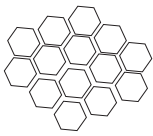
Remote Control



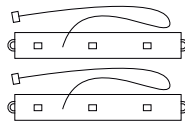
2 L-Brackets



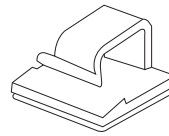
6 Screws



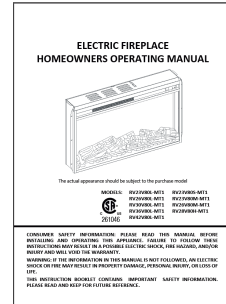
Acrylic Crystals



2 LED light bars



2 Hooks



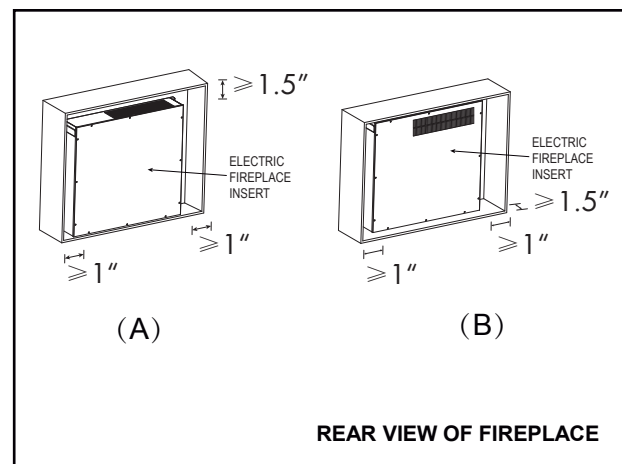
Manual

# INSTALLATION INSTRUCTION

Position your completed mantel close to its final location. Make sure you can access the back of the mantel as your electric fireplace appliance will be installed from back.

Unpack the electric fireplace appliance carefully. Position the appliance behind the fireplace with front facing the wood mantel. With the help of an adult assistant, lift the appliance and gently slide it into the opening in the mantel. Make sure the appliance is centered left and right in the opening. Be careful when placing appliance and adjusting, bottom of appliance could scratch the finish of the base/hearth of your fireplace. Re-attach the mounting brackets with the Phillips head screwdriver, and supplied screws.

**DO NOT OVER TIGHTEN.** With the help of an assistant, carefully lift completed unit and place it with the front facing out in the final location you have chosen for your fireplace. Make sure to secure the electrical cord before lifting or moving completed fireplace. When choosing a final location, make sure you will have clear access to grounded electrical outlet.

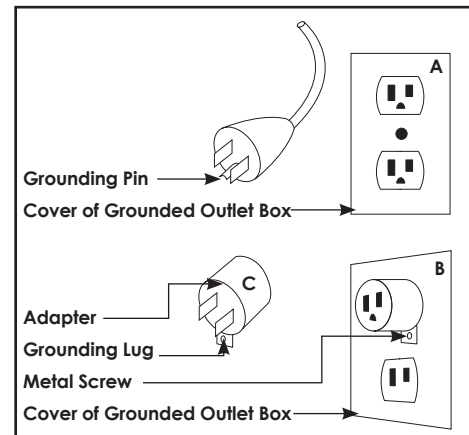


## GROUNDING INSTRUCTIONS:

This heater is for use on 120 volts. The cord has a plug as shown at (A) in figure 2. An adapter as shown at (C) is available for connecting three-blade grounding-type plugs to two-slot receptacles. The green grounding lug extending from the adapter must be connected to a permanent ground such as a properly grounded outlet box. The adapter should not be used if a three-slot grounded receptacle is available.

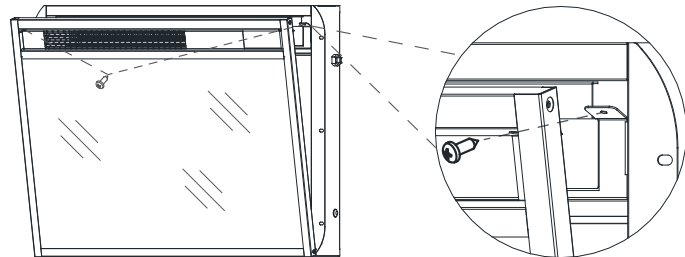
**NOTE: Adapters are NOT for use in Canada**

Figure 2



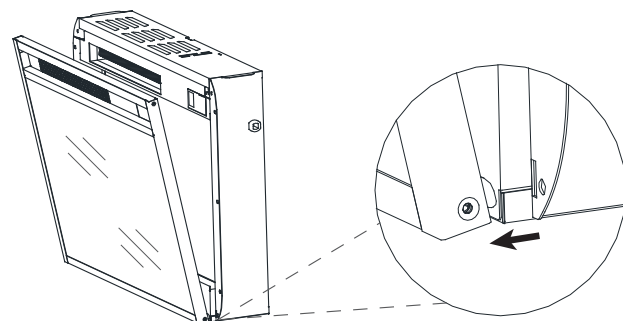
## INSTALLING THE ACRYLIC CRYSTALS

1. Remove the 2 screws on the upper left and upper right corners of the glass front, then remove the glass front slightly upward.

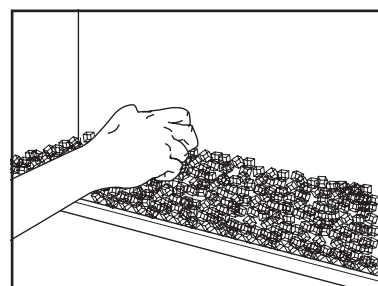


2. Carefully remove the glass front.

3. Arrange the ember beds along the inset window ledge at the front of the electric fireplace.



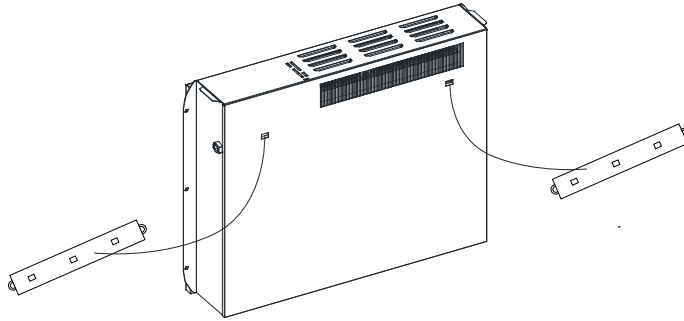
4. Line up the holes on the front with the holes on the firebox and insert and tighten 2 screws to hold the glass front in place.





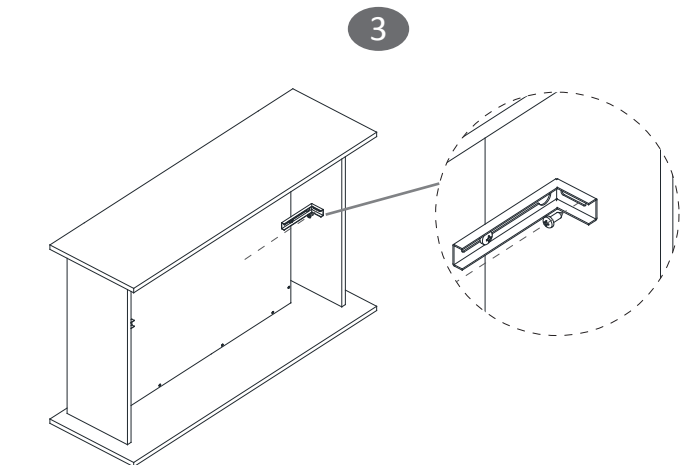
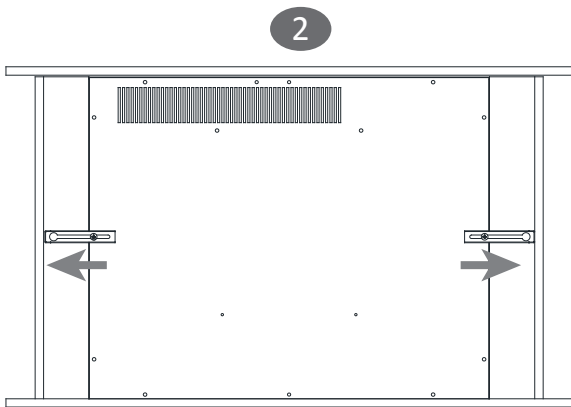
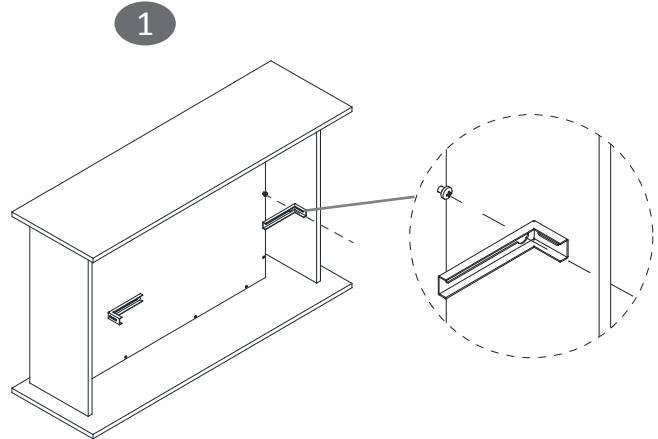
# INSTALLING THE SIDELIGHTS

Take the 2 side lights from the package, then plug into the back panel of fireplace as below diagram. You can use 2 supplied hooks to secure the wire connecting the side lights.



If the clearance distance of side panel of insert and mantel less than 3.4inch, fix the insert with furniture by L-Brackets on the back panel.

1. Align the large hole on the long side of the L-Brackets with the half-screwed screws on the fireplace.
2. Move the L-Brackets until they are level with the wooden cabinet.
3. Secure the L-Brackets to the wooden cabinet with supplied screws.



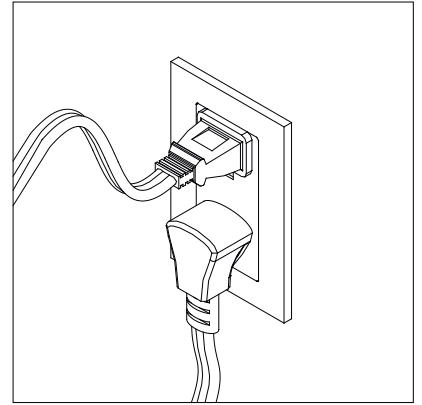
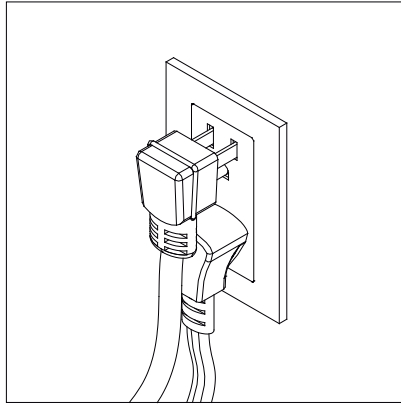
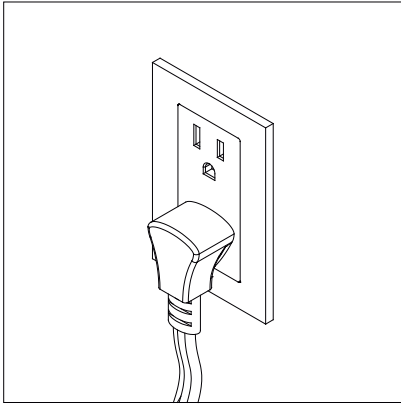
# ELECTRICAL SPECIFICATIONS

Voltage: 120VAC 60Hz

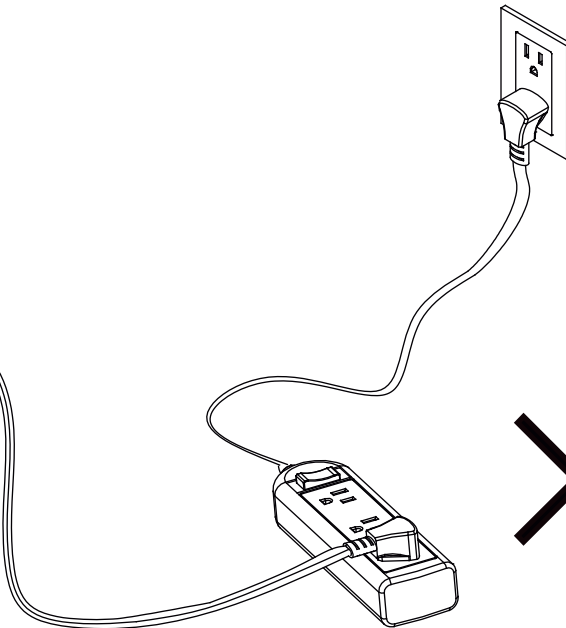
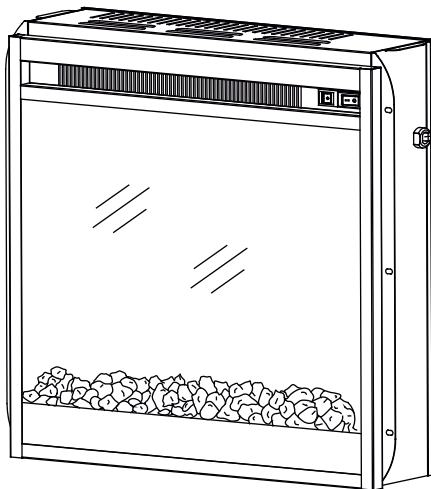
Watts: 1400 Watts



**Do not share a socket with other appliances when using electric fireplaces, please use a dedicated socket.**



**Never use with an extension cord or relocatable power tap (outlet / power strip).**





### **COLD CLIMATE INSTALLATION RECOMMENDATION:**

When installing this unit against a Non-insulated exterior wall or chase, it is mandatory that outer walls be insulated to conform to applicable insulation codes.

### **ELECTRICAL CONNECTION**

The unit comes standard with 6 feet (1.8M) three wire cord, exiting from the rear of the fireplace. Plan the installation to avoid the use of an extension cord.

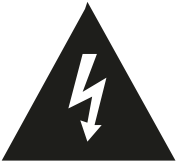
### **CLEANING TRIM**

Clean the metal trim using a soft cloth, slightly dampened with citrus oil based product and buff with a clean soft cloth.

DO NOT use brass polish or household cleaners as these products will damage the metal trim. Citrus oil based products can be obtained at supermarkets or hardware stores.

### **MAINTENANCE**

The motors used on the fan and the flame generator assembly are pre-lubricated for extended bearing life and require no further lubrication. However, periodic cleaning/vacuuming of the fan/ heater unit is recommended. Make sure the unit is turn OFF and unplugged whenever you are cleaning the heater of fireplace.



**WARNING :** Make sure the power is turned off before proceeding. Any electrical repairs or rewiring of this unit should be carried out by a licensed electrician in accordance with national and local codes. If repairing or replacing any electrical component or wiring, the original wire routing, color coding and securing locations must be followed.



**WARNING :** Electric outlet wiring must comply with local building codes and other applicable regulations to reduce risk of fire, electric shock and injury to persons.



**WARNING :** Do not use this fireplace if any part of it has been under water. Immediately call a qualified service technician to inspect the fireplace and replace any part of the electrical system.



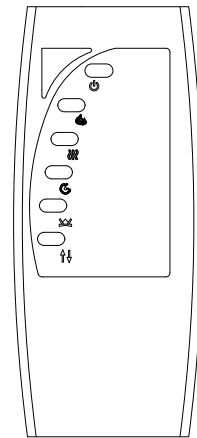
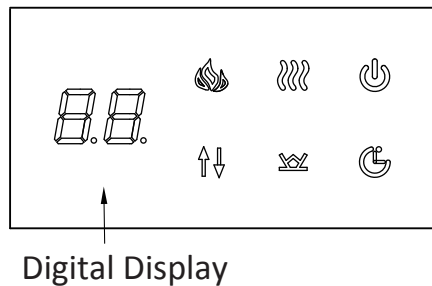
**WARNING :** Disconnect power before attempting any maintenance or cleaning to reduce the risk of fire, electrical shock or personal injury.



**WARNING :** During any service of this appliance, the power to the unit must be turned off, Always remember to remove the electrical plug from the wall outlet.

# OPERATING INSTRUCTION

On the top-right of the electric firebox is the mechanical control panel. This panel contains the buttons to properly operate the electric fireplace. The functions of buttons on the remote control are the same as the control panel. The remote control has an effective range of up to 19 ft..



## POWER

The POWER button turns the appliance on or off. It has a memory function; the button turns off all functions at once but retains the settings in the memory (except timer). By pressing the button again, the unit will turn on at the same settings. If the TIMER has set and the time has expired all functions will stop. Press the POWER button start the appliance.

## FLAME

Each time the Flame Button is pressed, the color of the flame changes. There are 7 colors, dynamic condition ,and the OFF setting you can cycle through.

When any of the static flame colours are selected (L2-L8) and displayed the Level Increase /Decrease Button can be used to change the brightness level of the flames. Three option are available Low(1), Medium(2), High(3).

## HEATER

The Heater Button turns the heater On & Off. When the heater is on, press the Increase/Decrease button to change the desired temperature. There are 11 temperature settings: 82 °F -ON - 64 °F - 66 °F - 68 °F -70 °F -72 °F -74 °F -76 °F -78 °F -80 °F (27 °C-ON - 18 °C-19 °C- 20 °C-21 °C-22 °C-23 °C- 24 °C-25 °C-26 °C). ON means the heater keep working.

**Temperature unit convert function:** When the heater is on, press and hold the Power Button for 5seconds, current temperature unit display will flash 3 times and convert to another temperature unit (**Note: This can't be set with the remote control**).

**Lock & unlock heater function:** press and hold the Heater Button for 10 seconds, the ember bed will flash 6 times, indicating that the heater function is locked. To unlock the heater function, just repress and hold the heater icon for 10 seconds again, then the ember bed will also flash 6 times indicating the heater function is unlocked and to recover the original states which you have set.**(Note: This can't be set with the remote control)**.

## TIMER

The TIMER has adjustable setting with range from 1 hours to 9 hours and OFF. As shown the following: 1h-2h-3h-4h-5h-6h-7h-8h-9h-OFF. Once you have set the timer, and the timer is up, the ember bed will flash 6 timers and close all the functions and enter standby mode. In this mode, you should touch the power icon to restart the fireplace.

## THE EMBER BED BUTTON

Each time the Ember Bed Button is pressed, the color of the ember bed and side light changes. There are 7 colors and dynamic condition you can cycle through.

When any of the static ember bed colours are selected (d2 to d8) and displayed the Level Increase / Decrease Button can be used to change the brightness level of the Ember bed and side light. Again three option are available Low(1), Medium(2), High(3).

## INCREASE/DECREASE BUTTON

This button is used to adjust the brightness levels of the flame, ember bed, side light and temperature settings. See relevant section for more details.

## FCC STATEMENT

This device complies with part 15 of the FCC Rules. Operation is subject to the following two conditions: (1) This device may not cause harmful interference, and (2) this device must accept any interference received, including interference that may cause undesired operation.

This equipment has been tested and found to comply with the limits for a Class B digital device, pursuant to part 15 of the FCC Rules. These limits are designed to provide reasonable protection against harmful interference in a residential installation. This equipment generates, uses and can radiate radio frequency energy and, if not installed and used in accordance with the instructions, may cause harmful interference to radio communications. However, there is no guarantee that interference will not occur in a particular installation. If this equipment does cause harmful interference to radio or television reception, which can be determined by turning the equipment off and on, the user is encouraged to try to correct the interference by one or more of the following measures:

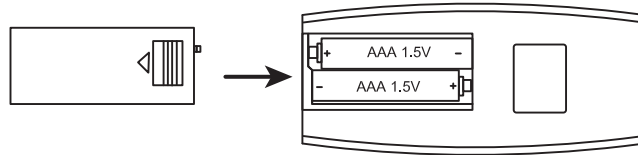
- Reorient or relocate the receiving antenna.
- Increase the separation between the equipment and receiver.
- Connect the equipment into an outlet on a circuit different from that to which the receiver is connected.
- Consult the dealer or an experienced radio/TV technician for help.

**CAUTION:** Changes or modifications not expressly approved by the party responsible for compliance could void the user's authority to operate the equipment.

# BATTERIES REPLACEMENT

## NOTE:

- Do not mix old and new batteries.
- Do not mix alkaine, standard (carbon zinc), or rechargeable (nicad, nimh, etc.) batteries.
- Do not ingest batteries.



## CAUTION:

- Always purchase the correct size and grade of battery most suitable for the intended use.
- Replace all batteries of a set at the same time.
- Clean the battery contacts and also those of the device prior to battery installation.
- Ensure the batteries are installed correctly with regard to polarity (+ and -).
- Remove batteries from equipment which is not to be used for an extended period of time.
- Remove used batteries promptly

# TROUBLESHOOTING

Fault code	Fault Cause	Solution
E3	The heater not working.	If the vents are dirty or clogged. Unplug the power, clean the dust and debris of the vent area. Wait for 5 minutes, plug in and turn on the heater. If the heater still don't work, please call after-sales service.

# 1 YEAR LIMITED WARRANTY

## Electrical Fireplace Basic Warranty

Our electrical fireplace is free from manufacturing and material defects for a period of one year from date of purchase, subject to the following conditions and limitations.

1. This electric fireplace must be installed and operated at all times in accordance with the installation and operating instructions furnished with the product, Any unauthorized repair, alteration, willful abuse, accident, or misuse of the product shall nullify this warranty.
2. This warranty is non-transferable, and is made to the original owner, provided that the purchase was made through an authorized supplier of the company.
3. The warranty is limited to the repair or replacement of parts found to be defective in material or workmanship, provided that such part(s) have been subjected to normal conditions of use and service, after said defect is confirmed by the Company's inspection.
4. The Company may, at its discretion, fully discharge all obligation with respect to this warranty by refunding the wholesale price of the defective part(s).
5. Any installation, labor, construction, transportation, or other related costs/expenses arising from defective part(s), repair, replacement, or otherwise of same, will not be covered by this warranty, nor shall the Company assume responsibility for same.
6. The owner/user assumes all other risks, if any, including the risk of any direct, indirect or consequential loss or damage arising out of the use, or inability to use the product, except as provided by law.
7. All other warranties-expressed or implied-with respect to the product, its components and accessories, or any obligation/liabilities on the part of the Company are hereby expressly included.
8. The Company neither assumes, nor authorizes any third party to assume, on its behalf, any other liabilities with respect to the sale of our product.
9. The warranties as outlined within this document do not apply to 3rd party accessories used in conjunction with the installation of this product.

This warranty is void if :

- a. The fireplace is subjected to prolonged periods of dampness or condensation.
- b. Any unauthorized alteration, willful abuse, accident, or misuse of the product.
- c. You do not have the original receipt of purchase.

## IF WARRANTY SERVICE IS NEEDED

Call at +8676939011427 or Contact the company email: [service@cambridgeelectrical.cn](mailto:service@cambridgeelectrical.cn)  
Make sure you have sales receipt, location of purchase and the model/serial number of your product.

Made in China  
Printed in China