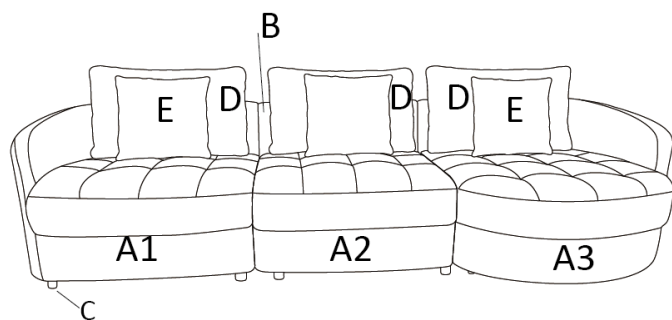


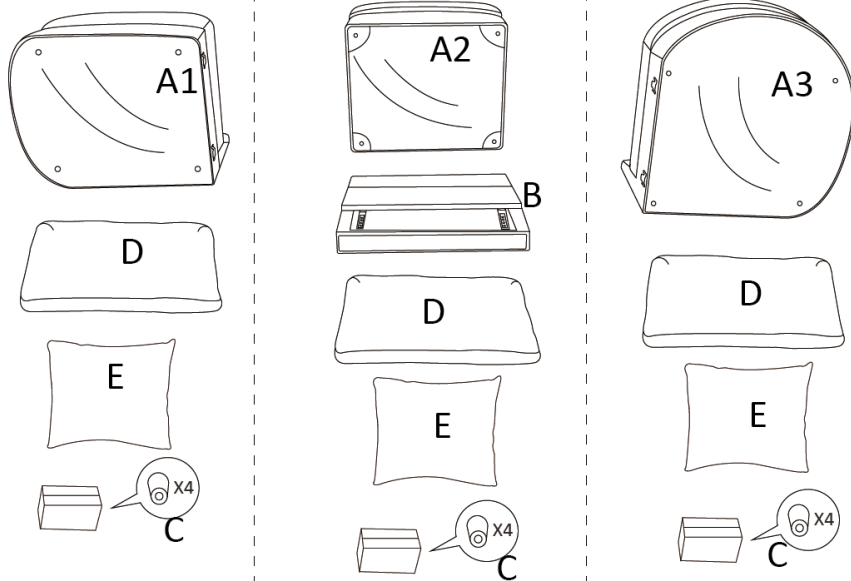
Assembly Instruction(1/2)



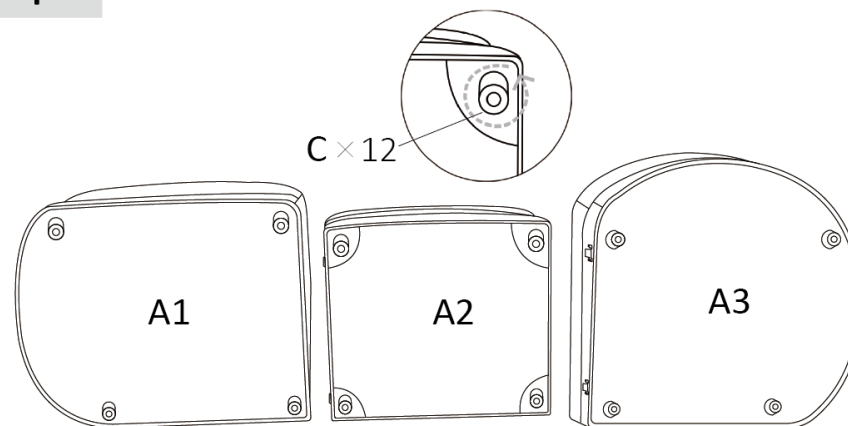
Step 1

Open the package to remove the parts, and open the Velcro at the bottom of "A2", remove the remaining parts and check the quantity.

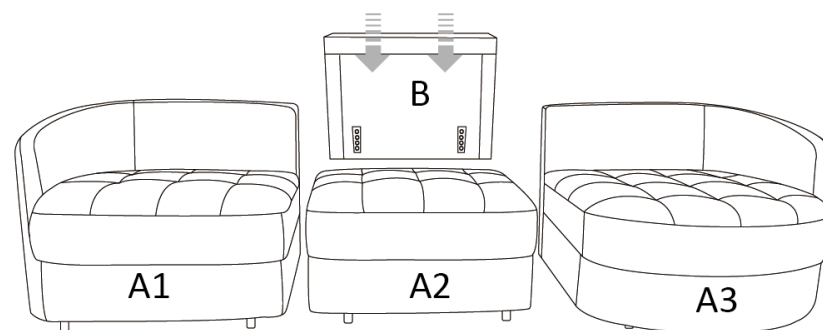
A1 × 1 A2 × 1 A3 × 1 B × 1 C × 12 D × 3 E × 3



Step 2

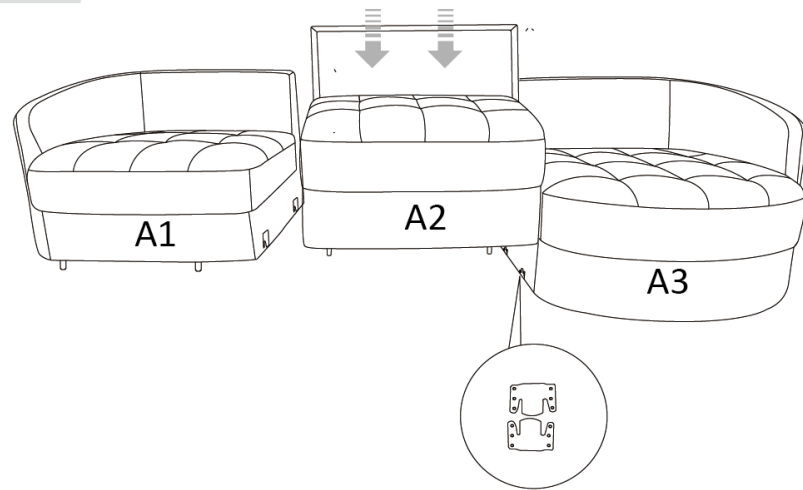


Step 3

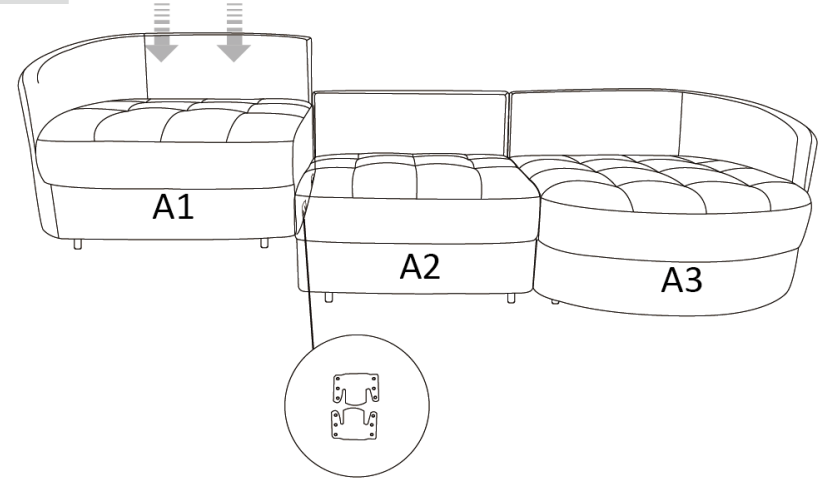


Assembly Instruction(2/2)

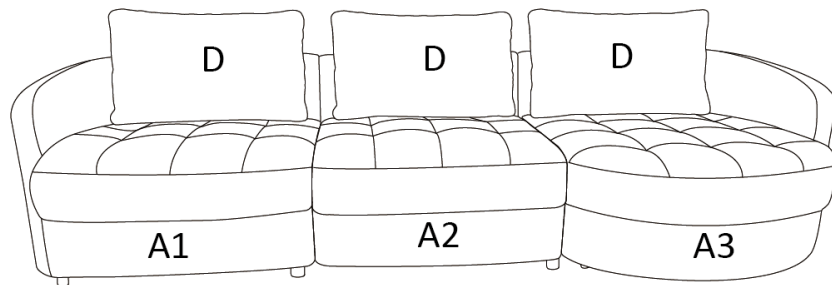
Step 4



Step 5



Step 6



Step 7

