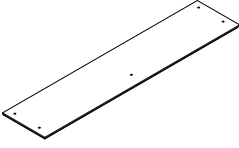
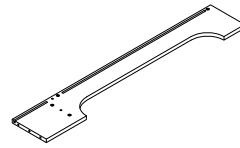
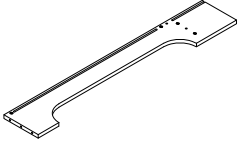
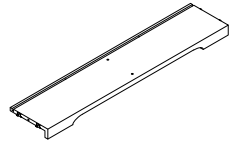
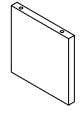
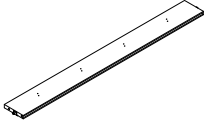


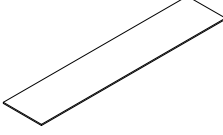
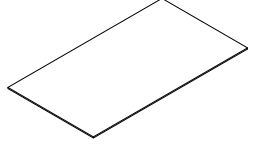
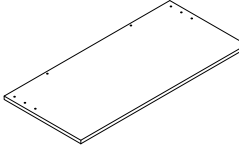
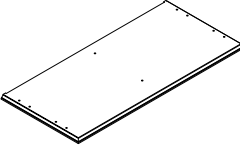
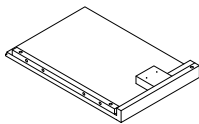
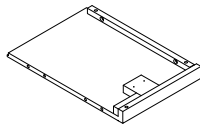
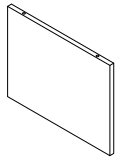
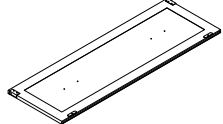
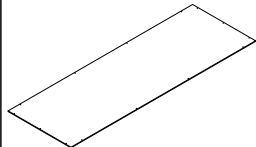
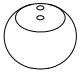
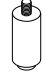
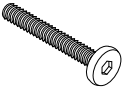
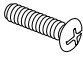

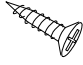
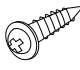
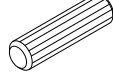




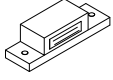

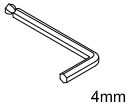



PART LIST

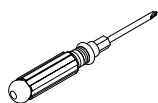
<p>A</p> 	<p>B</p> 	<p>C</p> 	<p>D</p> 	<p>E</p> 
<p>Top Panel 1 PC</p>	<p>Upper Left Side Panel 1 PC</p>	<p>Upper Right Side Panel 1 PC</p>	<p>Shelf 1 PC</p>	<p>Upper Vertical Panel 1 PC</p>
<p>F</p> 	<p>G</p> 	<p>H</p> 	<p>I</p> 	<p>J</p> 
<p>Back Upper Rail 1 PC</p>	<p>Back Bottom Rail 1 PC</p>	<p>Back Partition Rail 1 PC</p>	<p>Upper Back Panel 1 PC</p>	<p>Middle Back Panel 2 PCS</p>
<p>K</p> 	<p>L</p> 	<p>M</p> 	<p>N</p> 	<p>O</p> 
<p>Seat Panel 1 PC</p>	<p>Bottom Panel 1 PC</p>	<p>Lower Left Side Panel 1 PC</p>	<p>Lower Right Side Panel 1 PC</p>	<p>Middle Vertical Panel 1 PC</p>
<p>P</p> 	<p>Q</p> 	<p>R</p> 	<p>T</p> 	
<p>Door 1 PC</p>	<p>Bottom Back Panel 1 PC</p>	<p>Legs 4 PCS</p>	<p>Support Leg 1 PC</p>	

HARDWARE LIST

<p>#1</p>  <p>Ø1/4"*1-1/4"</p>	<p>#2</p>  <p>Ø4.5mm*3/8"</p>	<p>#3</p> 	<p>#4</p>  <p>Ø3mm*5/8"</p>	<p>#5</p>  <p>Ø3mm*1/2"</p>
<p>Bolt</p> <p>22 PCS</p>	<p>Handle Bolt</p> <p>4 PCS</p>	<p>Screw</p> <p>28 PCS</p>	<p>Flat Head Screw</p> <p>8 PCS</p>	<p>Screw</p> <p>12 PCS</p>
<p>#6</p>  <p>Ø8*30mm</p>	<p>#7</p>  <p>Ø1/4"*11mm</p>	<p>#8</p>  <p>Ø1/4"*13mm</p>	<p>#9</p> 	<p>#10</p> 
<p>Short Wood Dowel</p> <p>30 PCS</p>	<p>Spring Washer</p> <p>22 PCS</p>	<p>Flat Washer</p> <p>22 PCS</p>	<p>Handle</p> <p>2 PCS</p>	<p>Hinge</p> <p>2 PCS</p>
<p>#11</p> 	<p>#12</p> 	<p>#13</p>  <p>4mm</p>	<p>#14</p> 	
<p>Magnet</p> <p>2 PCS</p>	<p>Hook</p> <p>4 PCS</p>	<p>Allen Wrench</p> <p>1 PC</p>	<p>Safety Strap Kit</p> <p>1 PC</p>	

ADDITIONAL TOOLS (Not Provided)

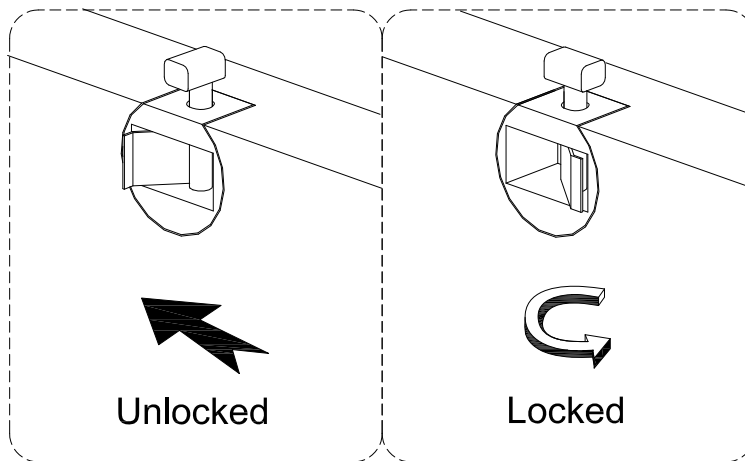
Note: It is not recommended to use power tools during assembly.



Phillips Head Screwdriver

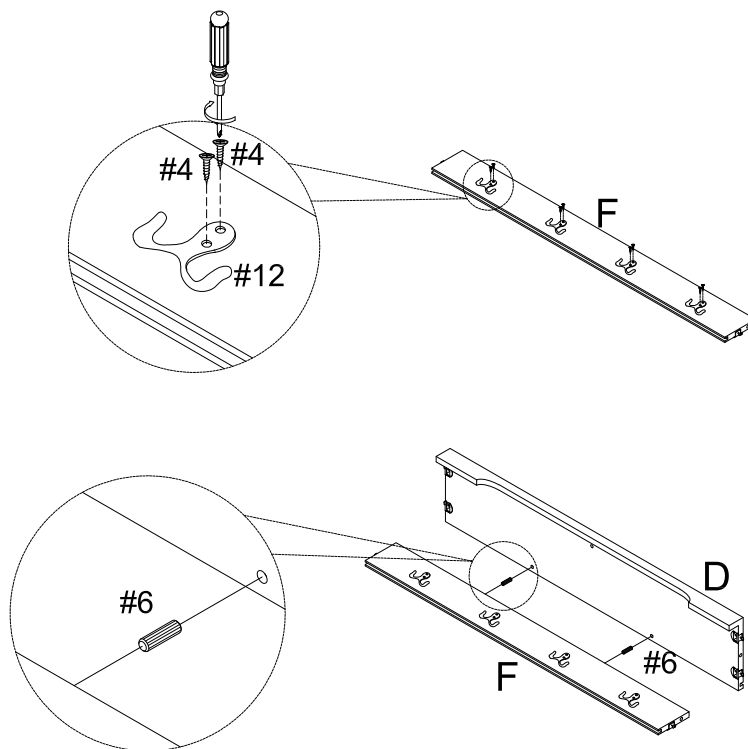
Note: Wood dowels are intended for alignment. Additional clearance between wood dowel and pre-drilled hole is intentional for ease of assembly.




Please do not use tools to assemble this unit unless specifically indicated.



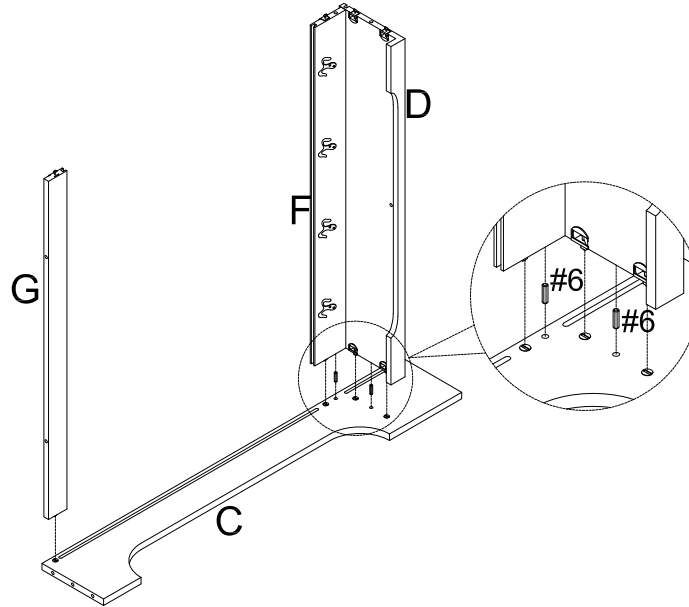
Reference the images above any time the instructions state "lock the hardware".
Note: Be sure to check all hardware is locked when completed.

Step 1. Attach hooks (part #12) to back upper rail (part F) using flat head screws (part #4) and phillips head screwdriver.
Attach back upper rail (part F) to shelf (part D) using wood dowels (part #6)



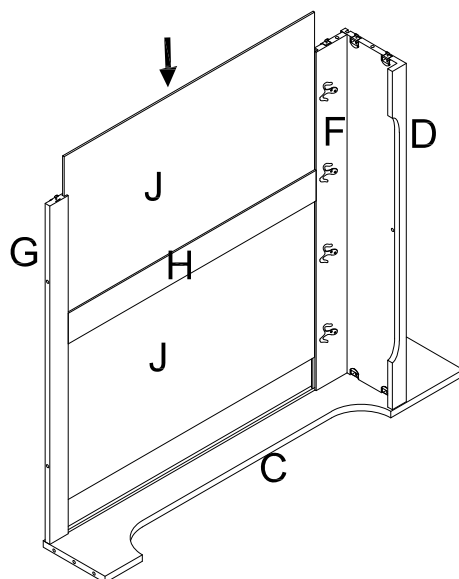
- #4  x 8
- #6  x 2
- #12  x 4

Step 2. Lay upper right side panel (part C) on a soft surface such as carpet as shown. Attach assembled unit (parts D & F) and back bottom rail (part G) to upper right side panel (part C) using wood dowels (part #6) and lock the hardware.

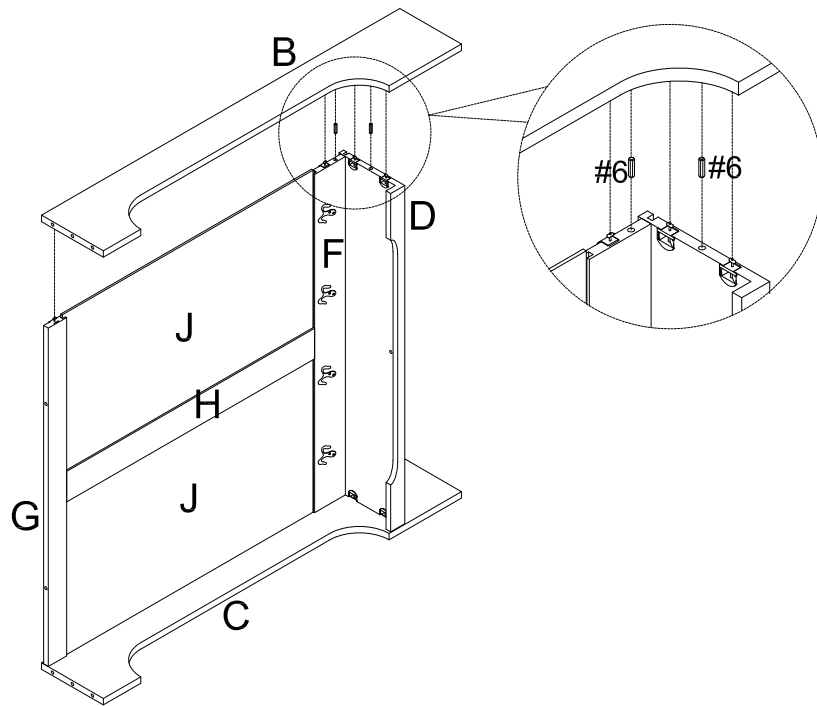


#6  x 2

Step 3. Slide middle back panels (part J) and back partition rail (part H) into grooves of assembled unit (Parts D, F & G) as shown.

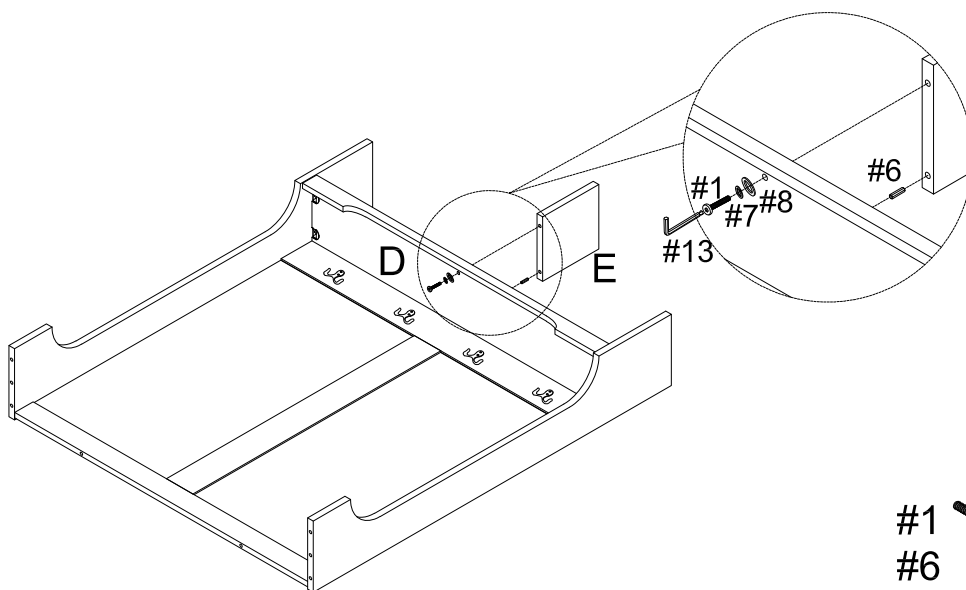







Step 4. Attach left side panel (part B) to back upper rail (part F), shelf (part D) and bottom rail (part G) using wood dowels (part #6) then lock the hardware.



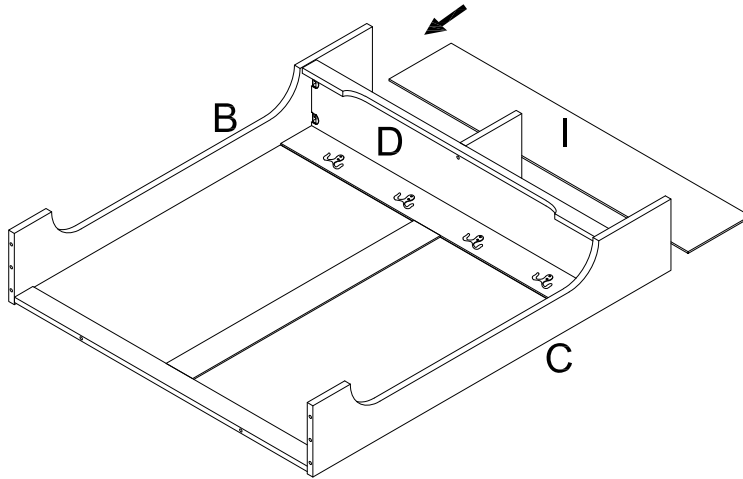
#12  x 2

Step 5. Attach upper vertical panel (part E) to shelf (part D) using wood dowel (part #6), bolt (part #1), spring washer (part #7), flat washer (part #8) and allen wrench (part #13).

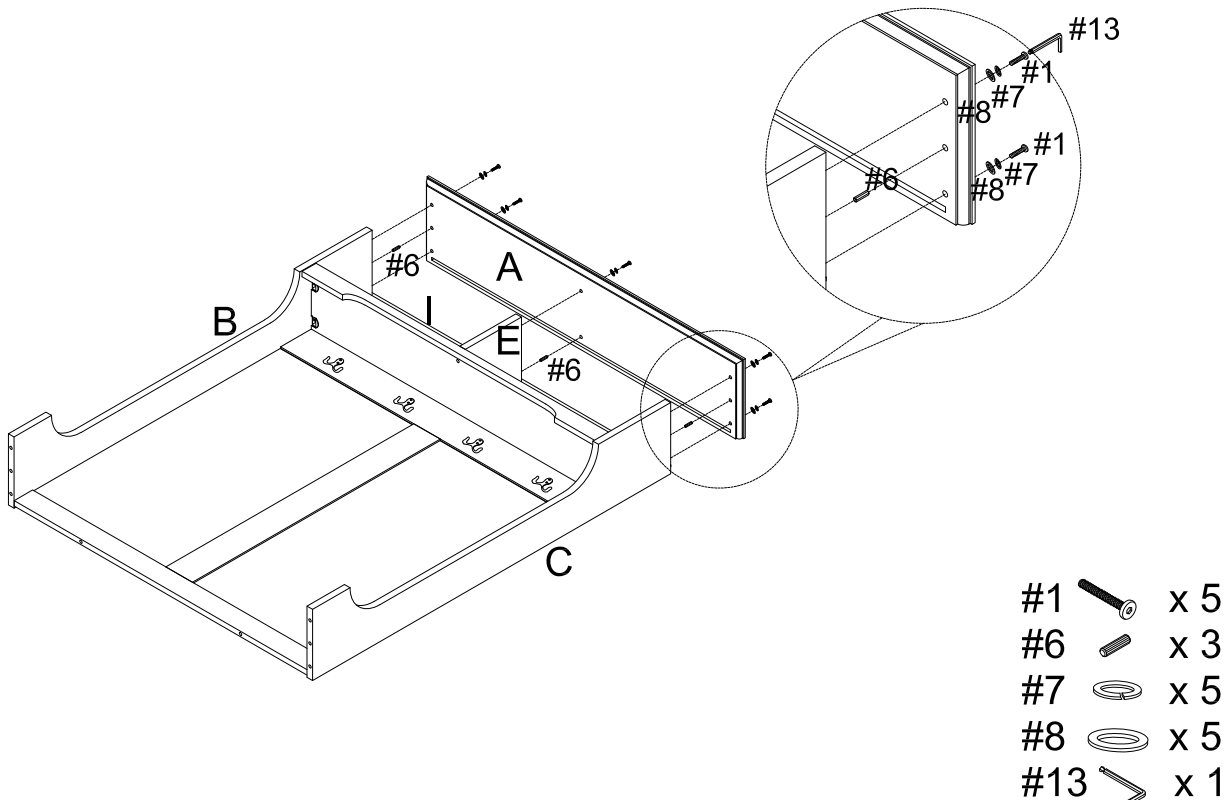


#1  x 1
 #6  x 1
 #7  x 1
 #8  x 1
 #8  x 1

Step 6. Slide upper back panel (part I) into grooves of assembled unit (part B, C, D)

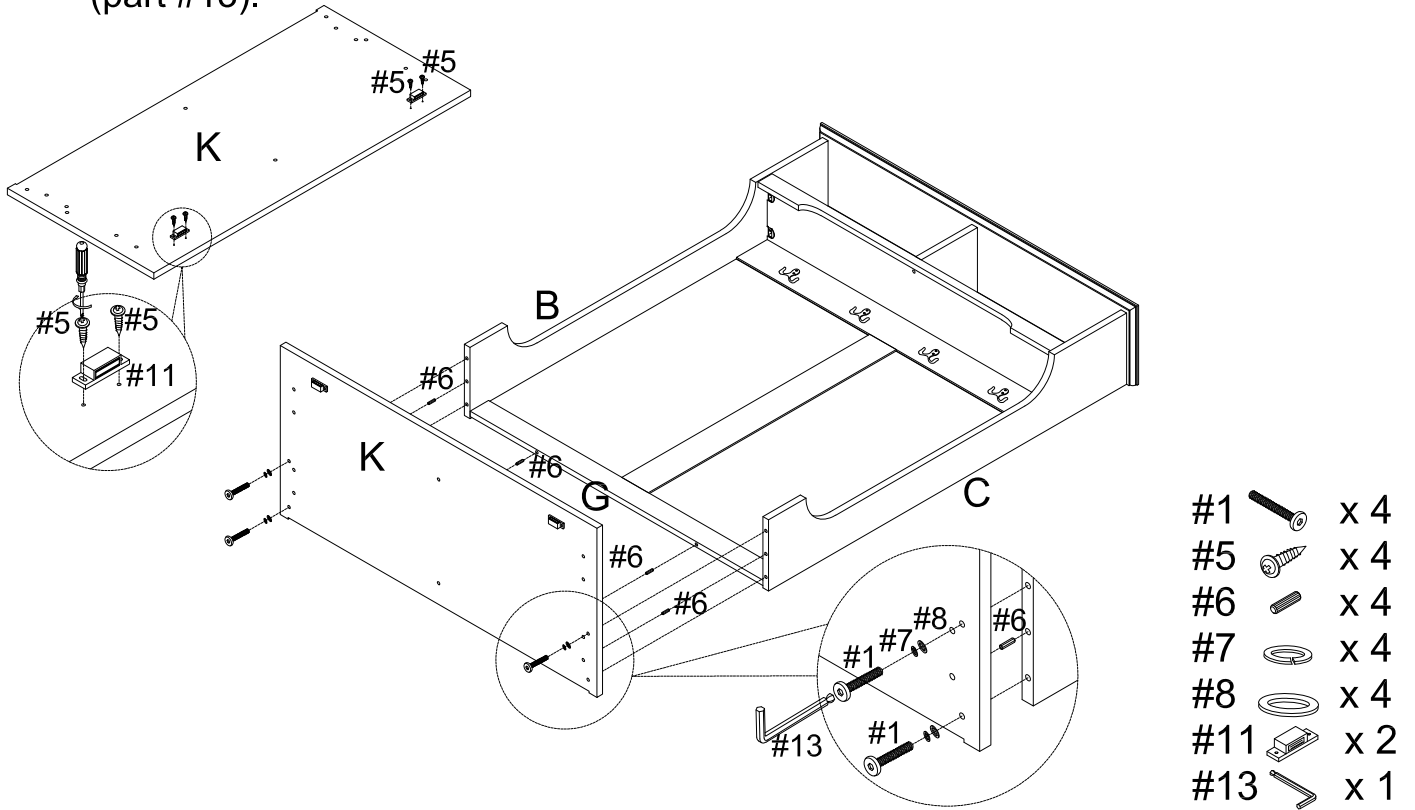


Step 7. Attach top panel (part A) to upper left side panel (part B), upper right side panel (part C), upper vertical panel (part E) and upper back panel (part I) using wood dowel (part #6), bolt (part #1), spring washer (part #7), flat washer (part #8) and allen wrench (part #13).

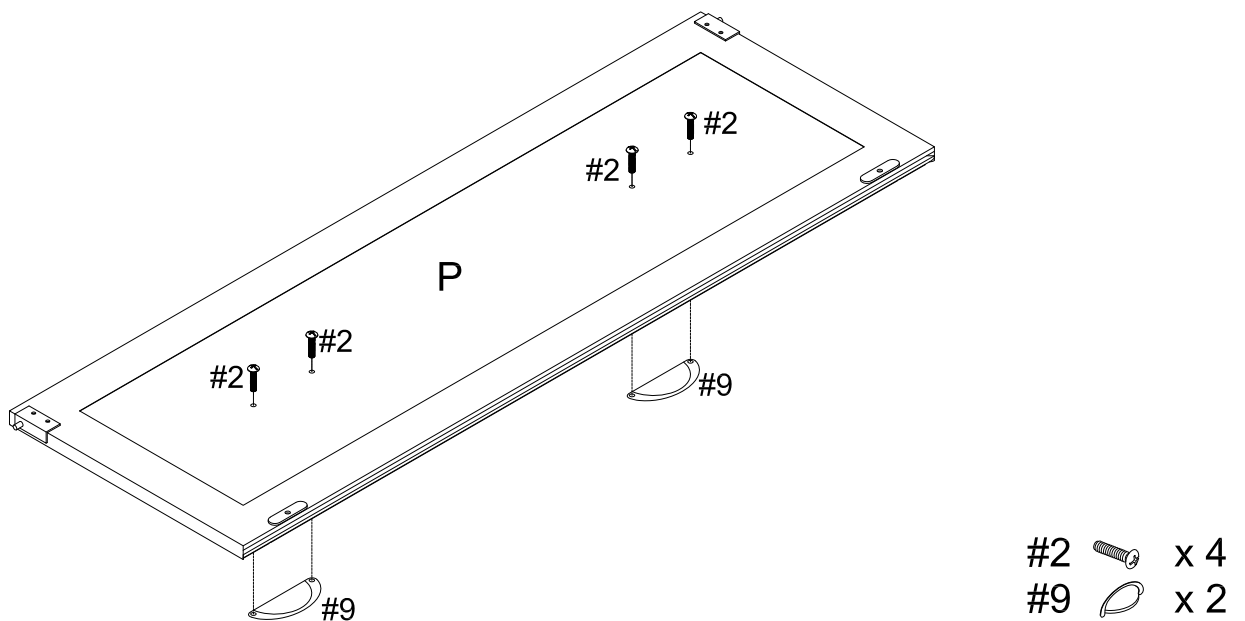


Step 8. Attach magnets (part #11) to seat panel (Part K) using screws (part #5) and phillips head screwdriver.

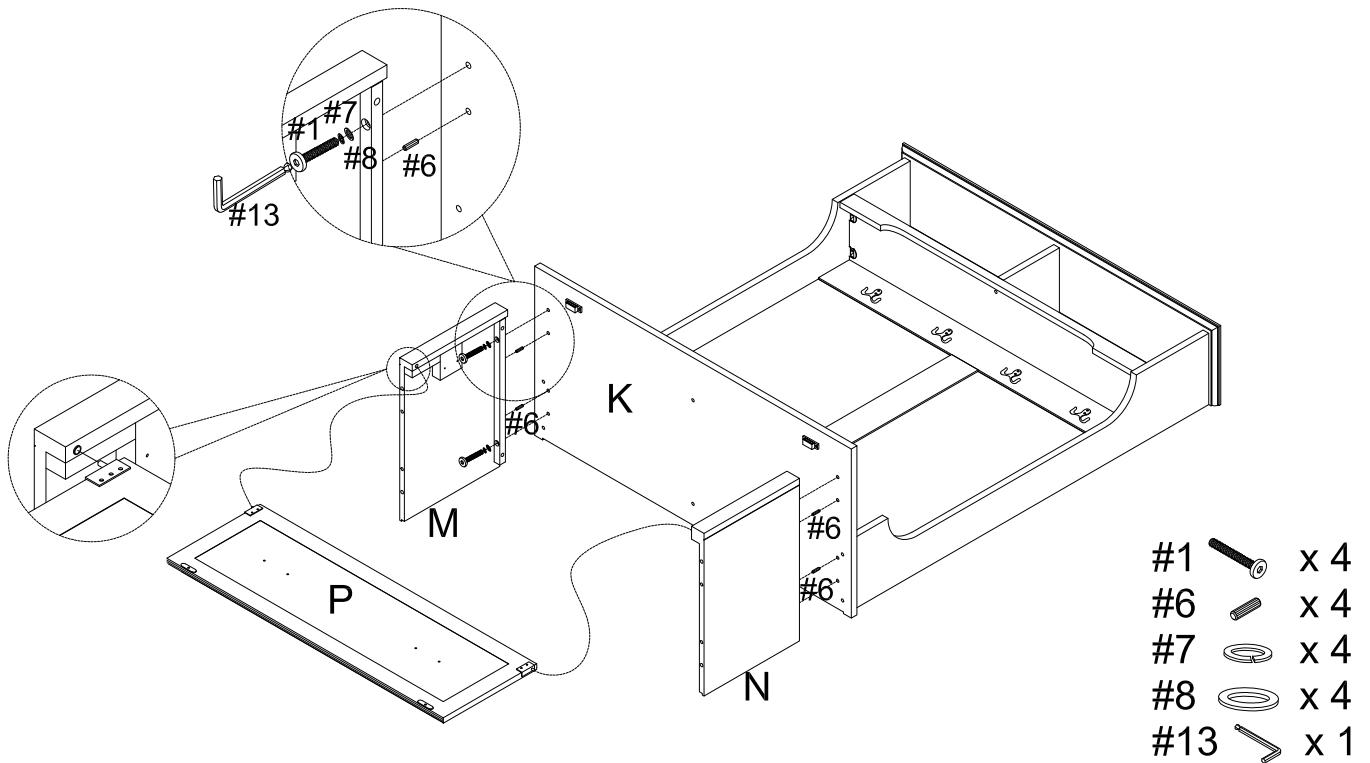
Attach seat panel (Part K) to upper left side panel (part B), upper right side panel (part C) and back bottom panel (part G) using wood dowel (part #6), bolt (part #1), spring washer (part #7), flat washer (part #8) and allen wrench (part #13).



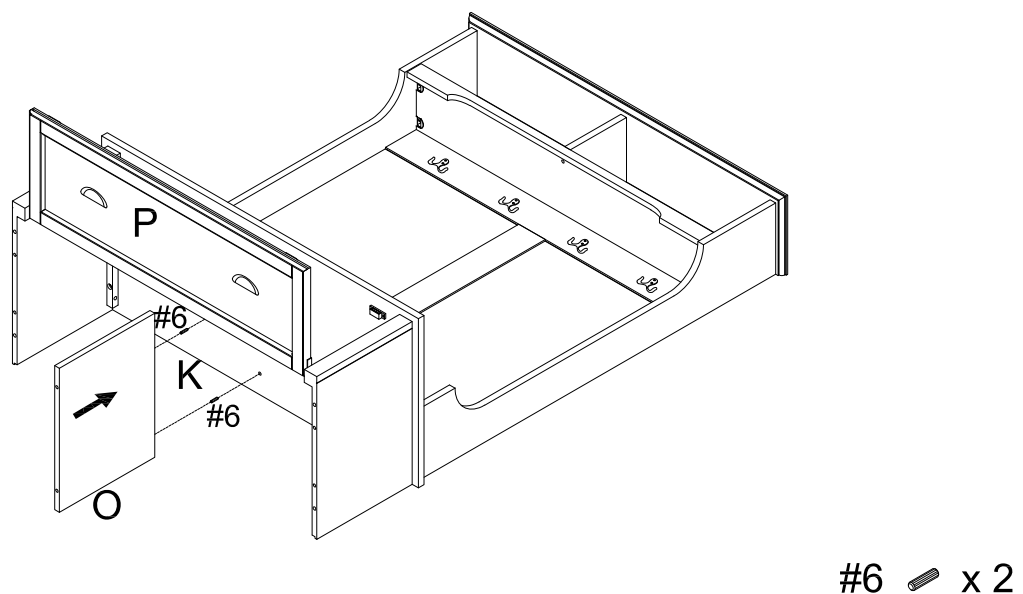
Step 9. Attach handles (part #9) to door (parts P) using handle bolts (part #2) and phillips head screwdriver.



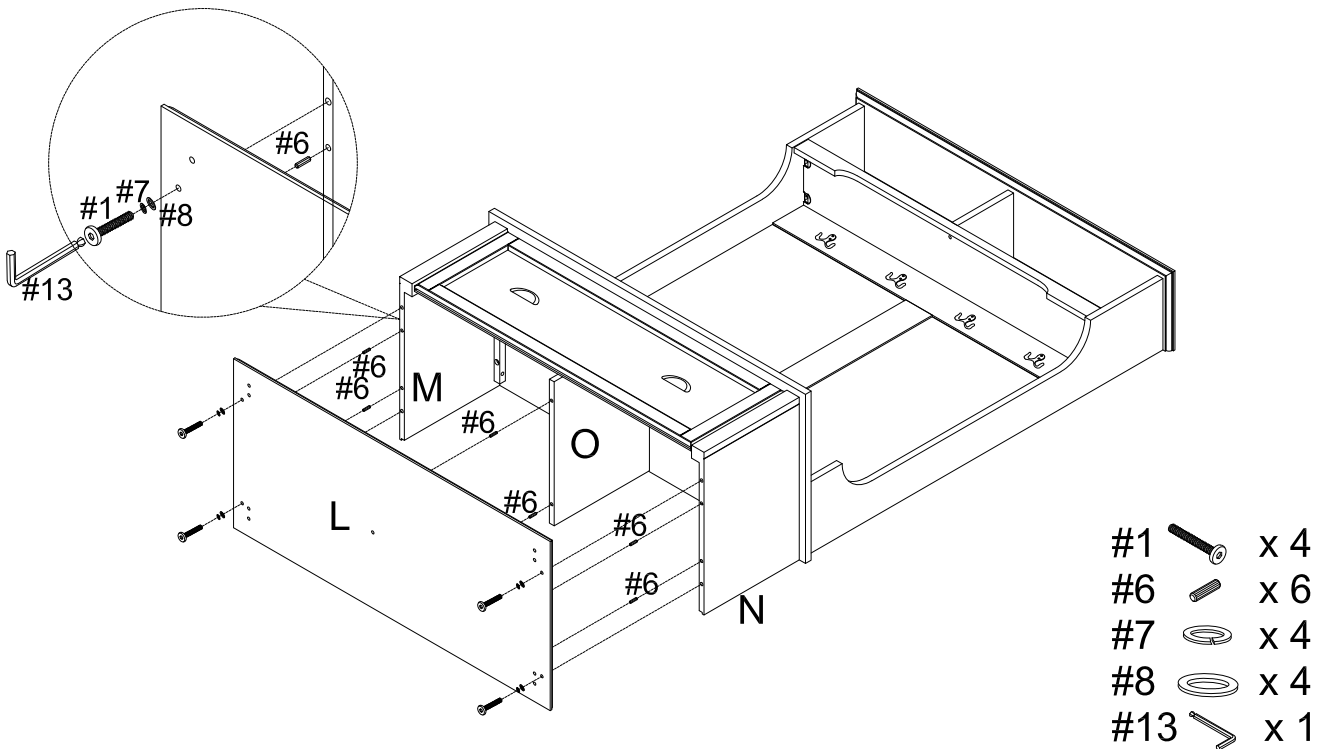
Step 10. Attach lower left and right side panel (part M & N) to seat panel (part K) using wood dowel (part #6), bolt (part #1), spring washer (part #7), flat washer (part #8) and allen wrench (part #13). NOTE: DO NOT FULLY TIGHTEN BOLTS ! Insert door (Part P) into lower left and right side panels (part M & N) as shown. NOTE: please fully tighten bolts at this time.



Step 11. Hold the door (part P) up as shown, and insert middle vertical panel (part O) using wood dowels (part #6) to seat panel (part K). once the middle vertical panel (part O) is in place, gently lay door (Part P) down as shown in step 12.

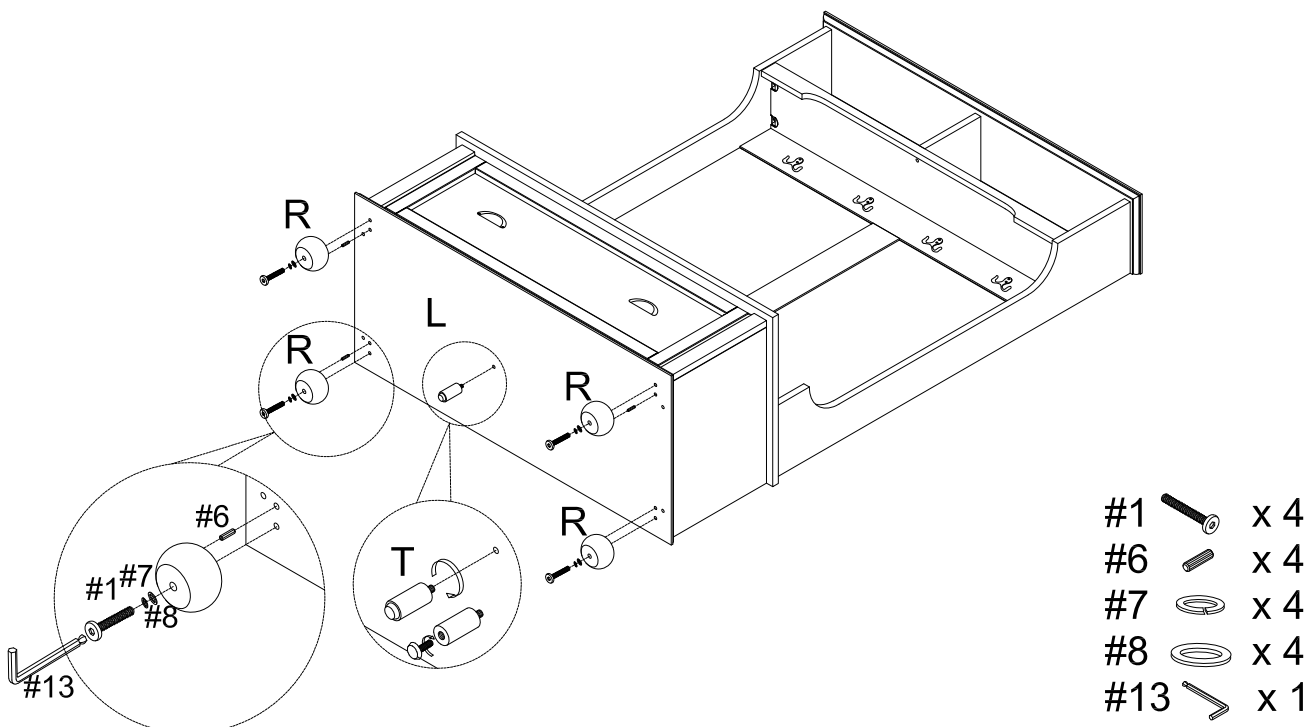


Step 12. Attach bottom panel (part L) to lower left side panel (part M), middle vertical panel (part O) and lower right side panel (part N) using wood dowel (part #6), bolt (part #1), spring washer (part #7), flat washer (part #8) and allen wrench (part #13).

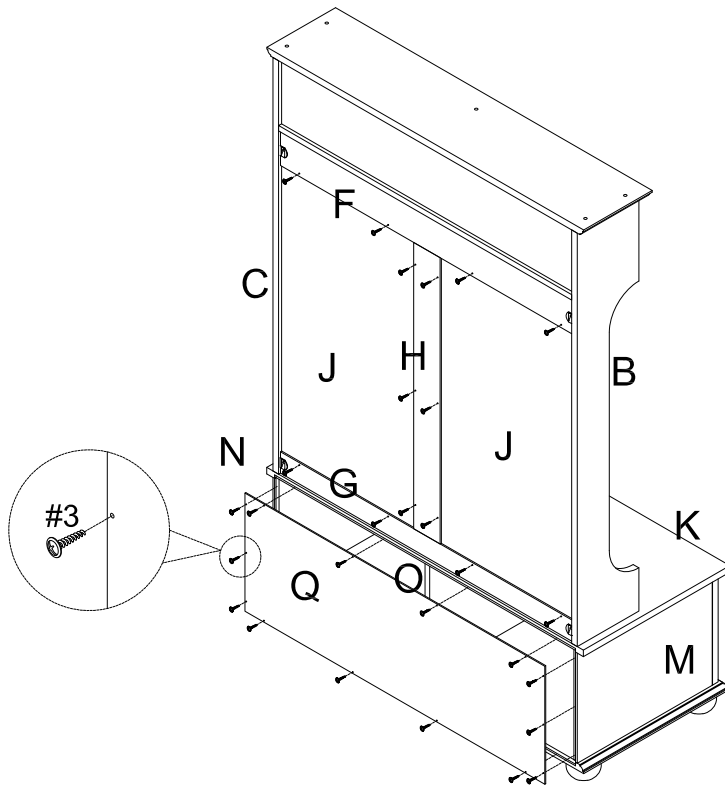


Step 13. Attach legs (part R) to bottom panel (part L) using wood dowel (part #6), bolt (part #1), spring washer (part #7), flat washer (part #8) and allen wrench (part #13), Attach support leg (part T) to bottom panel (part L).

NOTE: It is important to adjust levelers once fully assembled and upright. Extend adjustable leveler until it's firmly in contact with the floor. If relocating, adjust leveler as needed until it's firmly in contact with the floor in new location.

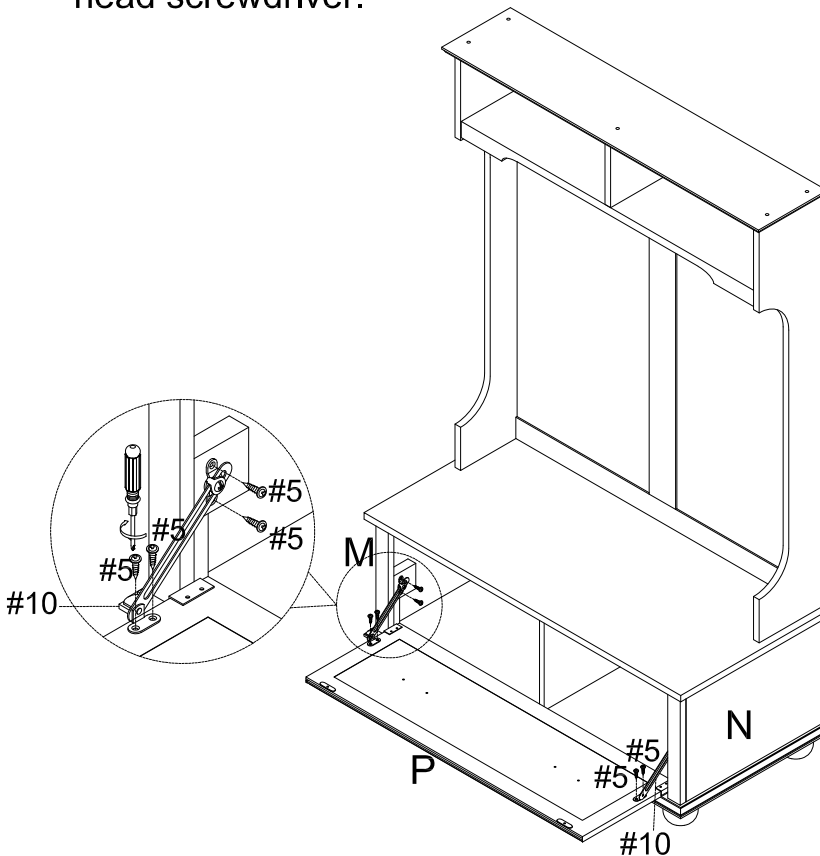




Step 14. Attach bottom back panel (part Q) to base of assembled unit using screws (part #3) and phillips head screwdriver. fasten back upper rail(part F),back partition rail (part H) and back bottom rail (Part G) to middle back panels (part J) using screws (part #3) and phillips head screwdriver.


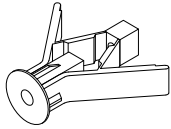

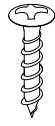
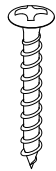
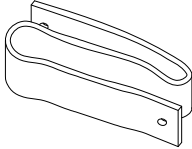


#3  x 28

Step 15. Attach hinges (part #10) to door (part P), lower left side panel (part M) and lower right side panel (part N) using flat head screws (part #5) and phillips head screwdriver.



#5  x 8
#10  x 2

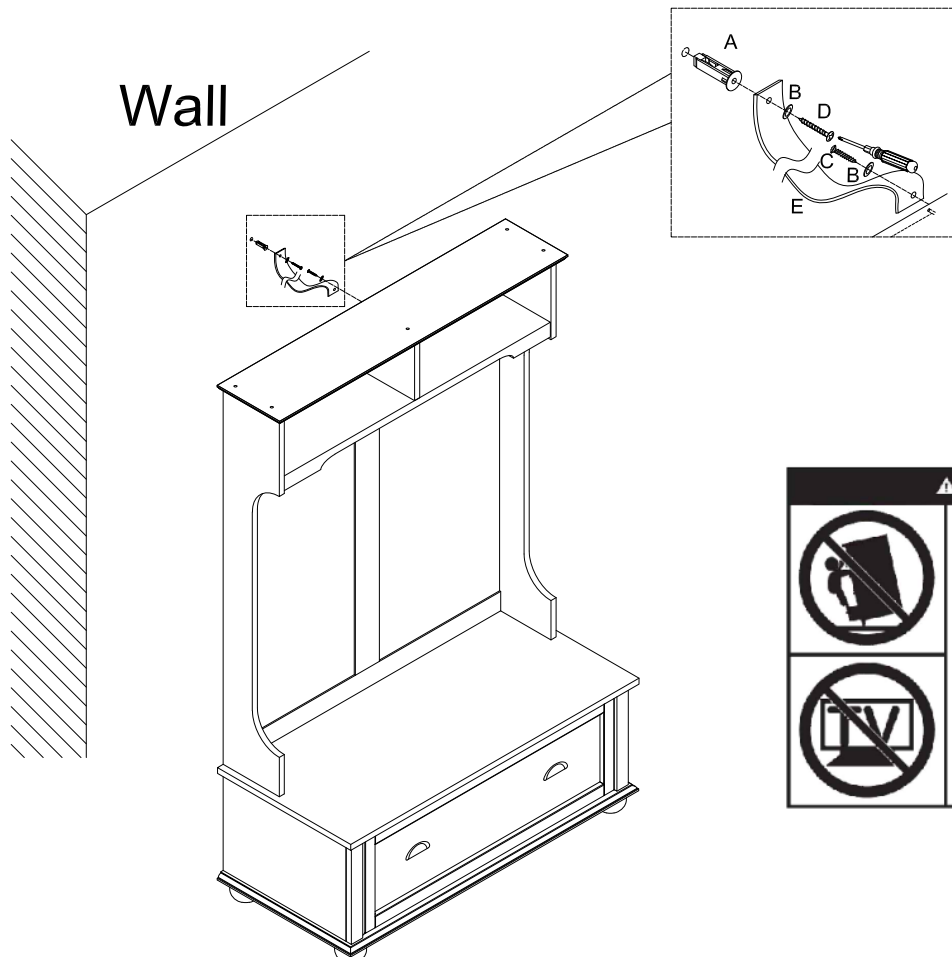
#14 	A 	B 	C  D8*3/4"	D  D8*1-1/2"	E 
Safety Strap Kit 1 PC	Wall Anchor 1 PC	Washer 2 PCS	Short Screw 1 PC	Long Screw 1 PC	Safety Wall Strap 1 PC

SAFETY WALL STRAP INSTALLATION

Note: It is highly recommended to install this safety strap kit to prevent tipping, damage and/or injury.

1. Insert short screw (C) through washer (B) and safety wall strap (E) and attach to back panel (part M) using phillips head screwdriver.
2. Drill a 1 1/32" hole where you want to secure the unit. The drilled hole will be at the same height as the hole in back panel (part M) where the safety wall strap (E) is attached. Tap wall anchor (A) into the hole.
3. Insert long screw (D) through washer (B) and safety wall strap (E) into wall anchor (A) using phillips head screwdriver.

Note: This item is not intended for clothing storage use.



⚠ WARNING

Children have died from furniture tipover. To reduce the risk of furniture tipover:

- ALWAYS install tipover restraint provided.
- NEVER put a TV on this product.
- NEVER allow children to stand, climb or hang on drawers, doors, or shelves.
- NEVER open more than one drawer at a time.
- Place heaviest items in the lowest drawers.

This is a permanent label. Do not remove!