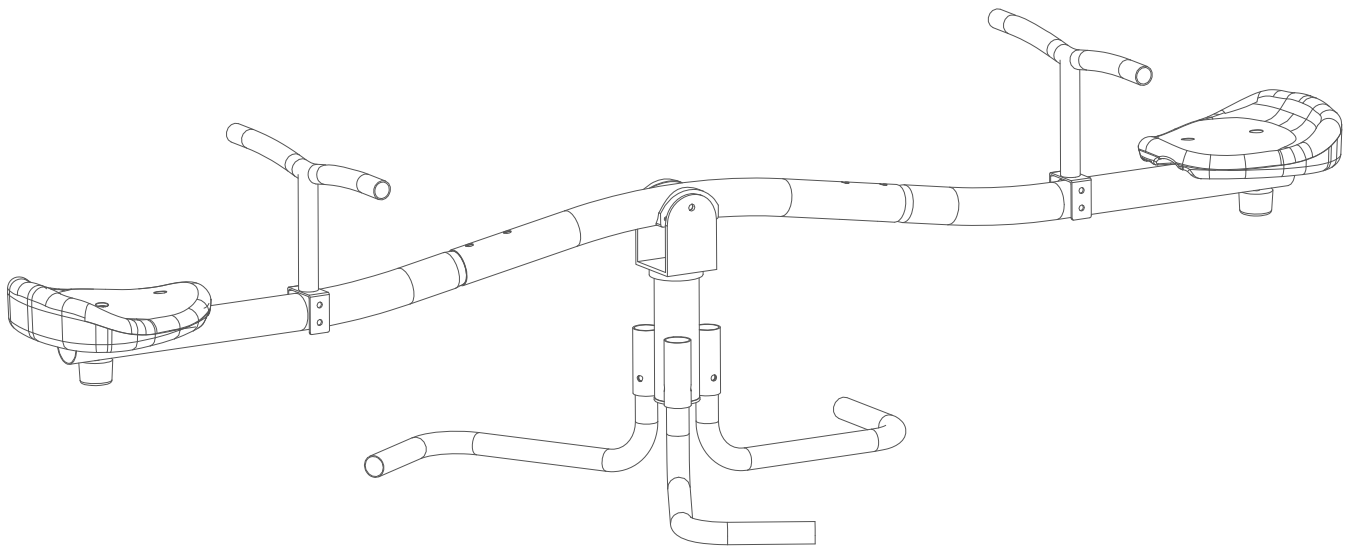
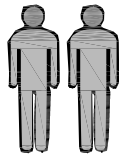
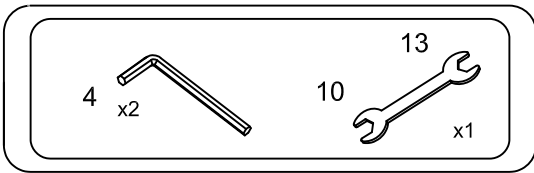


Twirl seesaw



WARNING: ONLY FOR DOMESTIC OUTDOOR USE.

To guarantee safety, please give special attention to the assembly, safety, and care instructions detailed in this document.

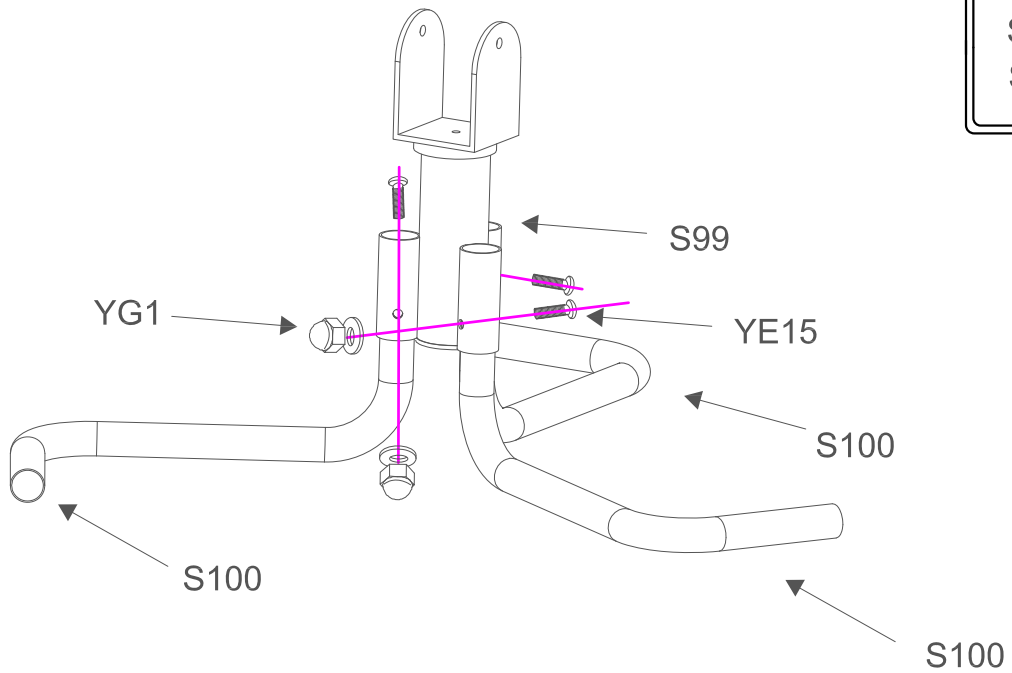


***To replace defective parts in accordance with the manufacturer's instructions**
***Do not modify the seesaw**

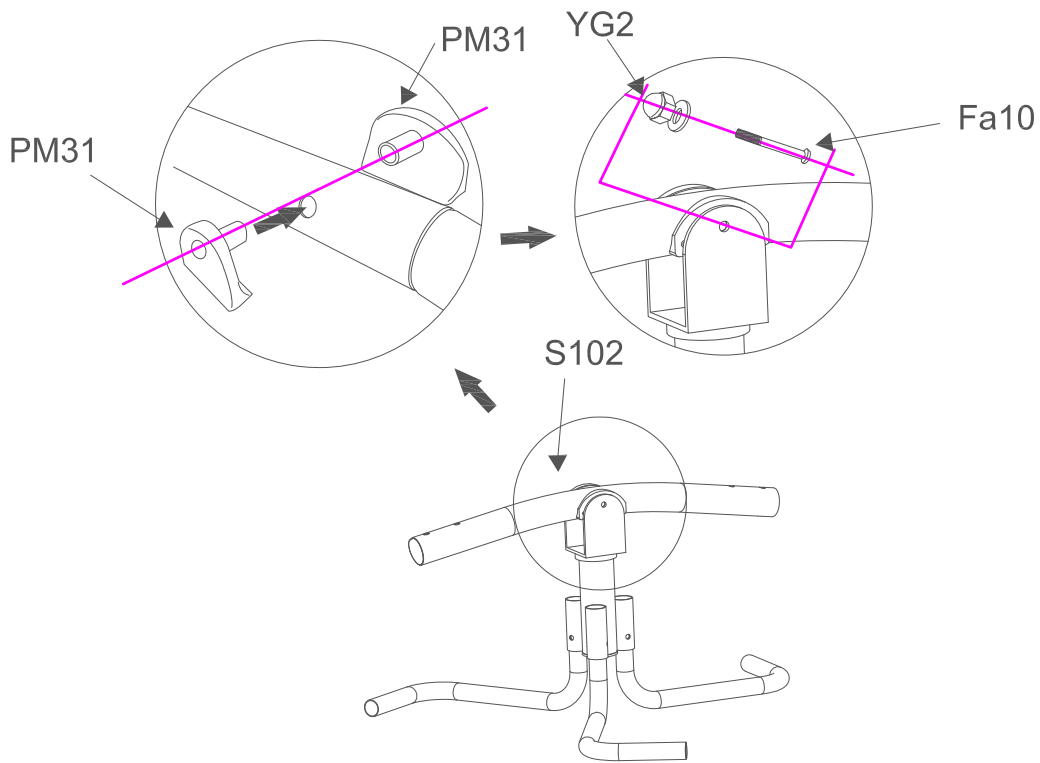
YE15 x3	M6X30mm	S99 x1	S100 x3	Pm31 x2	Pm3 x2
YE9 x4	M6X45mm				
YE7 x4	M6X50mm	S101 x2	S102 x1	S103 x2	C62 x2
YE64 x2	M8X70mm				
Fa14 x2	M8X55mm				
Fa10 x1	M8X65mm				
YD15 x3		YL2 x4	YG1 x11	YG2 x5	
		Ø6	Ø6	Ø8	

1

- YE15 X3
- YG1 X3
- S100 X3
- S99 X1

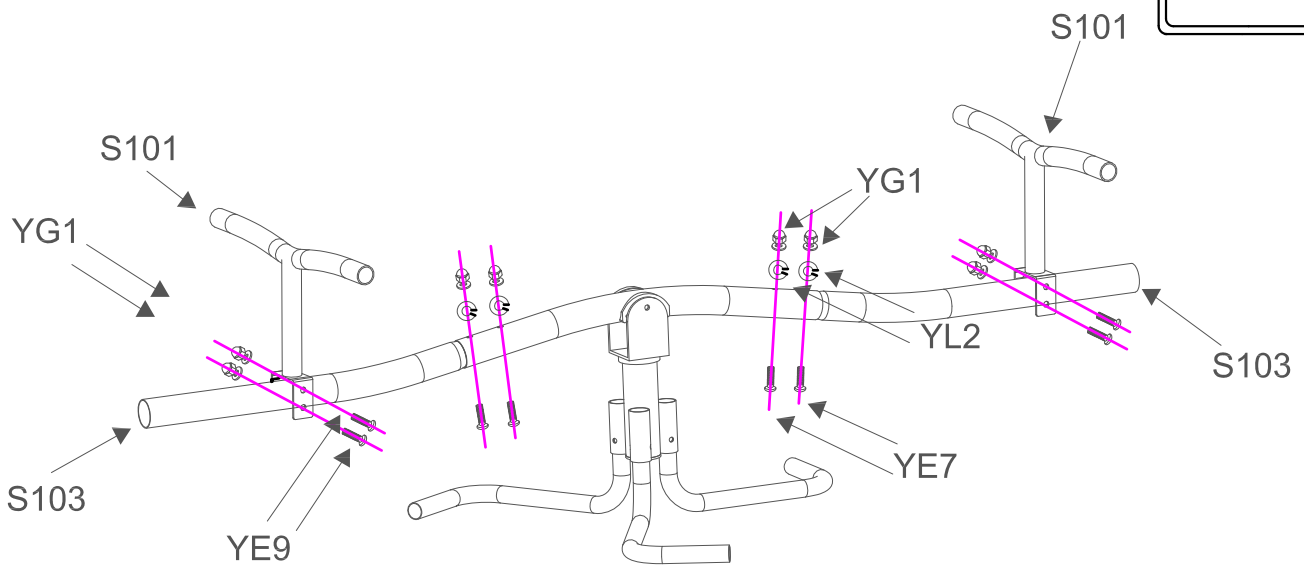


2



Fa10	X1
PM31	X2
S102	X1
YG2	X1

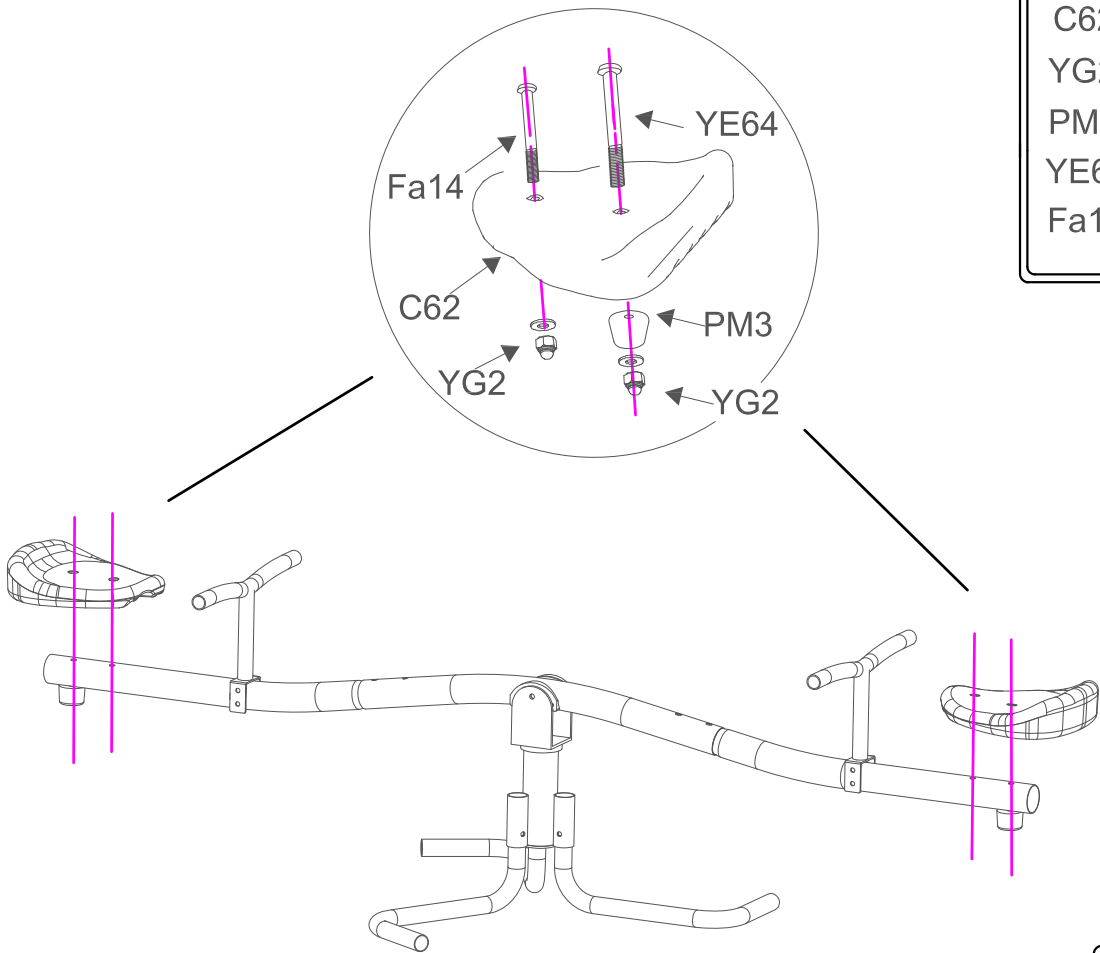
3



S101	X2
S103	X2
YE7	X4
YE9	X4
YG1	X8
YL2	X4

4

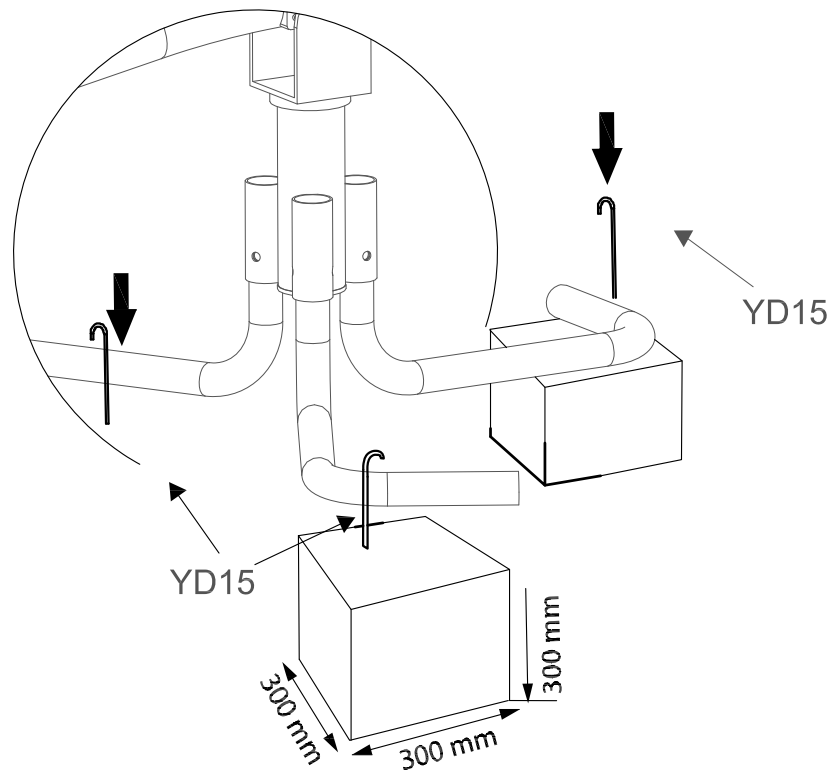
C62	X2
YG2	X4
PM3	X2
YE64	X2
Fa14	X2



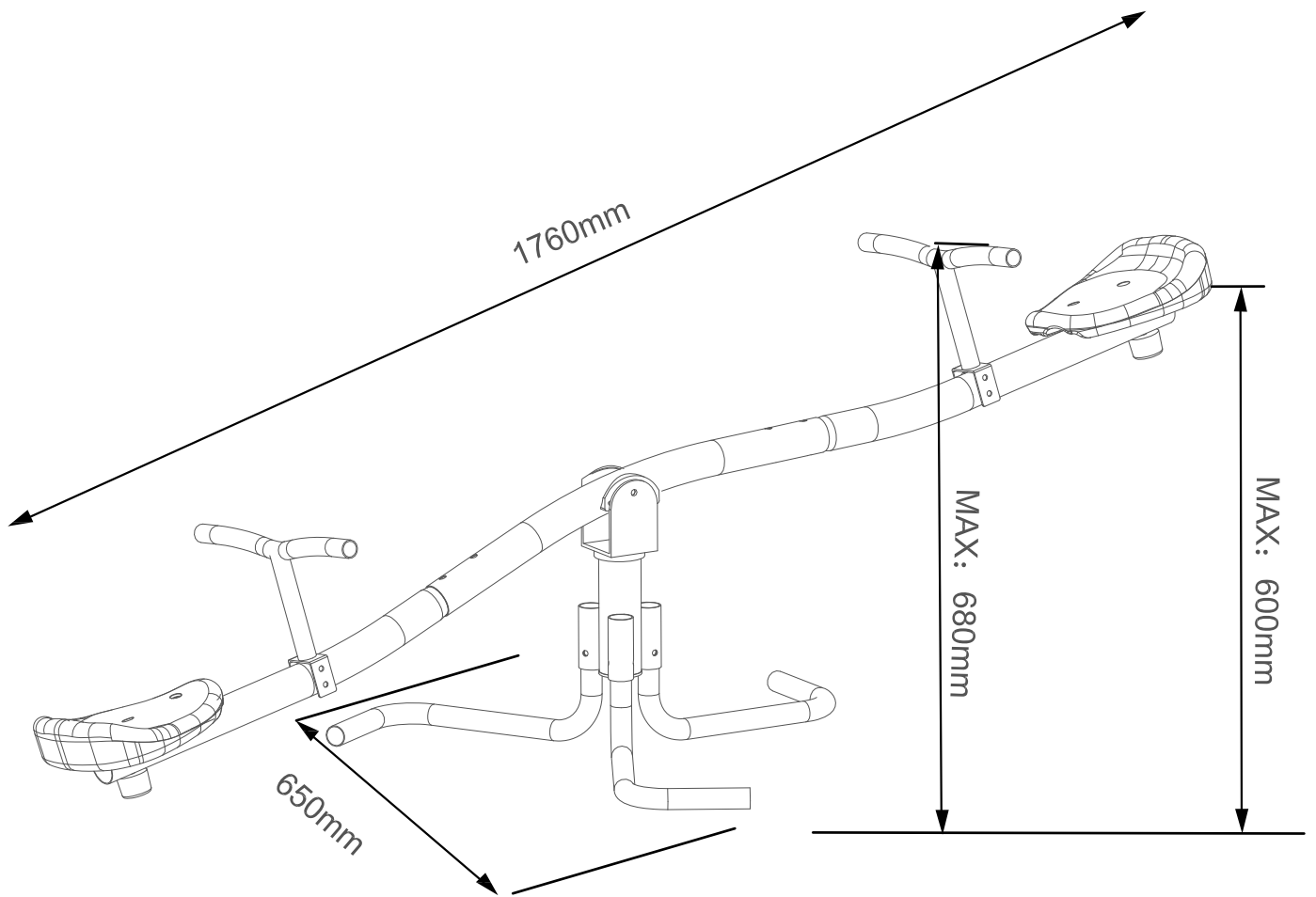
5

YD15x3

Warning: The anchors must be placed under the ground in order to reduce tipping hazards



Warning: Maximum fall heights is 600mm
This product must be assembled by an adult.



Twirl Seesaw

ASSEMBLY INSTRUCTIONS

Thank you for purchasing the Twirl Seesaw.

The outdoor play center you have chosen adheres to European standards and has been certified by an independent laboratory.

This Seesaw satisfies all the requirements of the Australian Standard AS4685 and EN71, has been certified by an independent laboratory. To guarantee safety, please give special attention to the assembly, safety, and care instructions detailed in this document.

Assembly advice:

MIND! Warning:

Follow the assembly instructions to the letter. This product must be assembled **and checked** by an adult. **The failure to adhere to the assembly and maintenance instructions may result in injury.**

Tighten everything by hand until the seesaw is fully assembled; next tighten everything firmly with the tools supplied.

Keep the instruction sheet **in a safe place as you may need it later on to help the after-sales service identify any parts you may need.**

Before commencing, check that none of the parts are missing. You can retain excess parts as spares for future use when necessary.

Safety tips:

MIND!Warning:

This product must not be used by children under 36 months (the small parts could be swallowed). It is only for children from 3 to 7 with a 50 kg maximum weight. It must be used under adult supervision.

The seesaw is not suitable for children weighing more than 50 kg.

Always supervise young children until you are sure that they are physically able and confident enough to operate the seesaw.

Risk of falling

This product is only for private use at home and must never be used in parks and public gardens, in schools, camp sites, hotels, public leisure areas, etc.

The Seesaw should be set up on a flat surface and 2 meters away from all other things, structures or obstacles (walls, fences, trees, washing lines or electric cables, etc...) that could cause injury during use.

The product must not be set up on hard surfaces (concrete, tarmac, etc.). Grass or soft surfaces are better.

The play center must be embedded firmly into the ground, respecting the assembly Instructions. Only use this product when the concrete is dry.

The anchorage, hooks and fixtures must be checked at regular intervals. Tighten any that have loosened.

Check the bolts and replace any that have sharp edges.

Do not position the seesaw in the direction of the sun.

Do not allow children to get down from the seesaw while the seats are moving.

Do not allow other children in the vicinity of the seesaw while it is in use.

Do not throw packaging in nature and do not leave with the range of children.

Maintenance

The metal parts do not need any particular care. However, in certain regions (i.e. seaside areas), certain coatings may be prone to damage. In this case, it is advised to use a rust prevention treatment.

All parts that are under constant friction can be oiled regularly with a suitable lubricant.

The ground on which the game is placed should be controlled regularly. All elements such as stones or other objects that could cause injury in the case of a fall should be removed.

It is advised to remove the apparatus during the winter period, when not in use, to avoid any deterioration due to bad weather conditions.

Practical advice

Certain safety checks should be carried out regularly on the seesaw. This check should include, if necessary, removing any sharp edges, replacing missing screw covers, tightening the nuts and bolts etc., to avoid any danger through normal wear and tear or any upturning of the seesaw.

Fixing into the ground See overleaf

MIND! / Warning: For safety reasons, the toy must be embedded into the ground:

Place the toy in the desired position, mark a square 300 x 300 mm around each (the feet must be in the center of the square) and dig a hole 300 mm deep. Fill those holes with a minimum of 300 mm of concrete. Do not exceed the ground level. Fit the embedding piece into the center of the concrete so that fixtures for screwing the posts into place rise out of the concrete. When the concrete is dry, screw the posts to the embedding pieces.

IMPORTANT!

Wait until the concrete is set before using play center and check anchorages regularly.

*To replace defective parts in accordance with the manufacturer's instructions

*Do not modify the seesaw