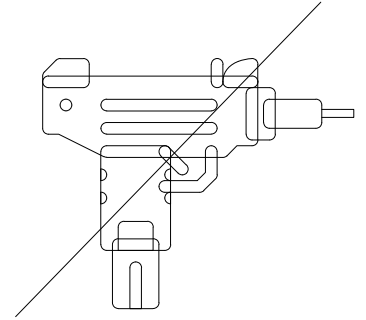
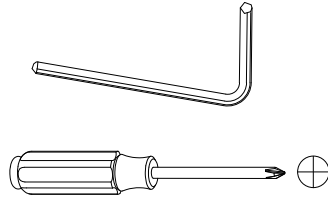
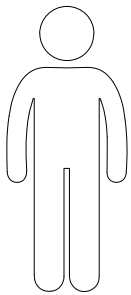


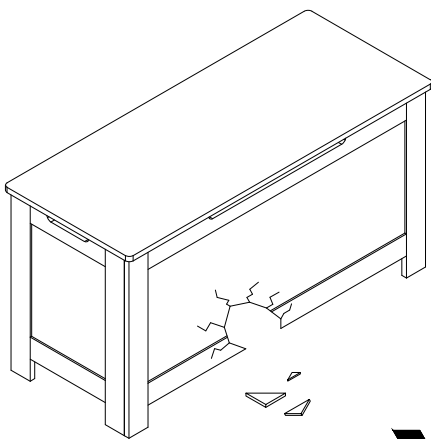
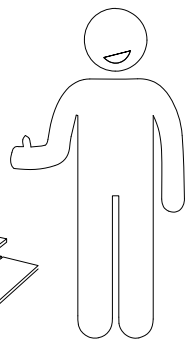
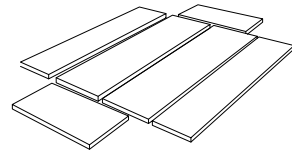
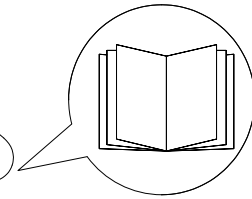
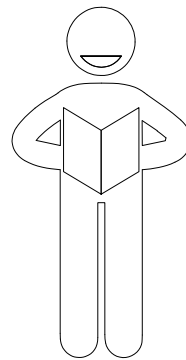
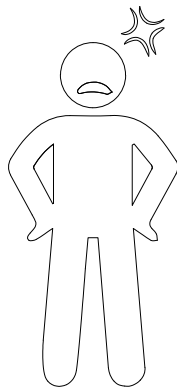
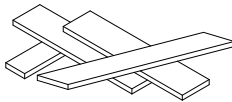
X2



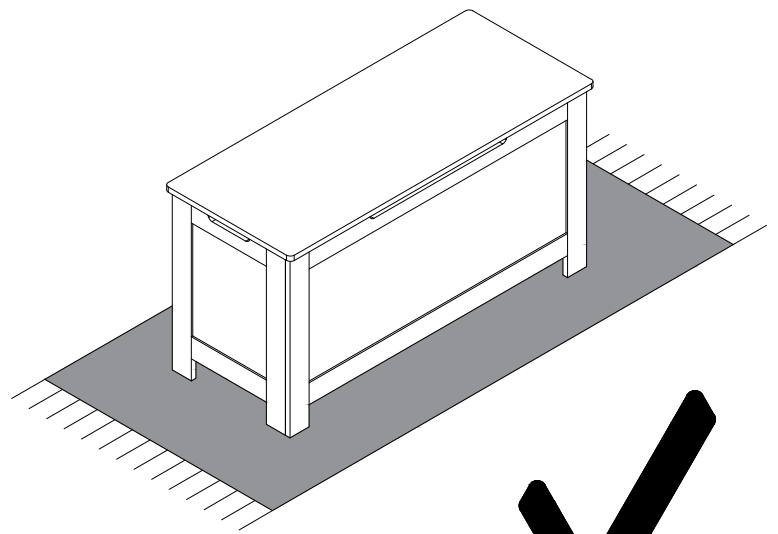
When using the electric screwdriver ,
Reduce the power and torque to avoid damaging the furniture



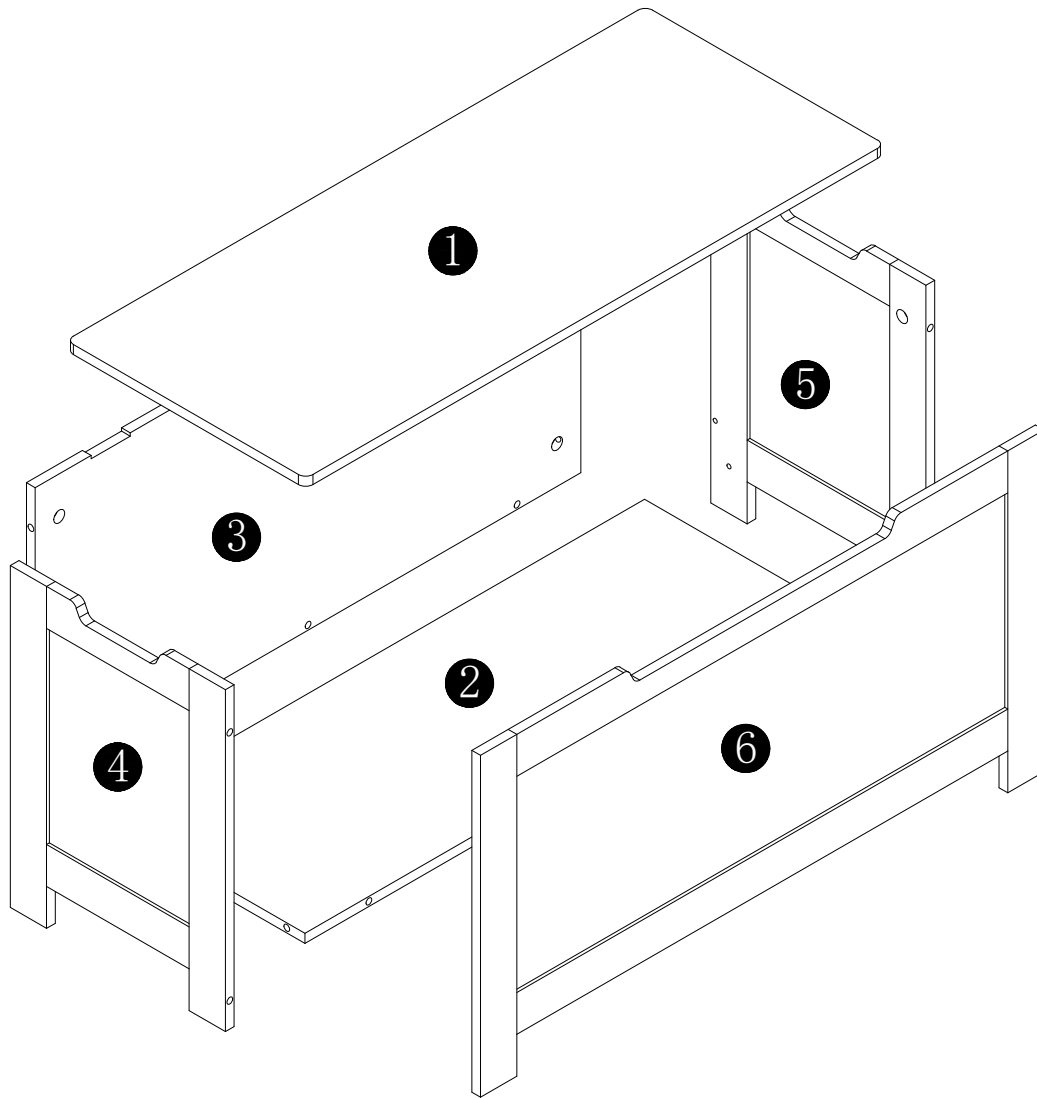
?



X



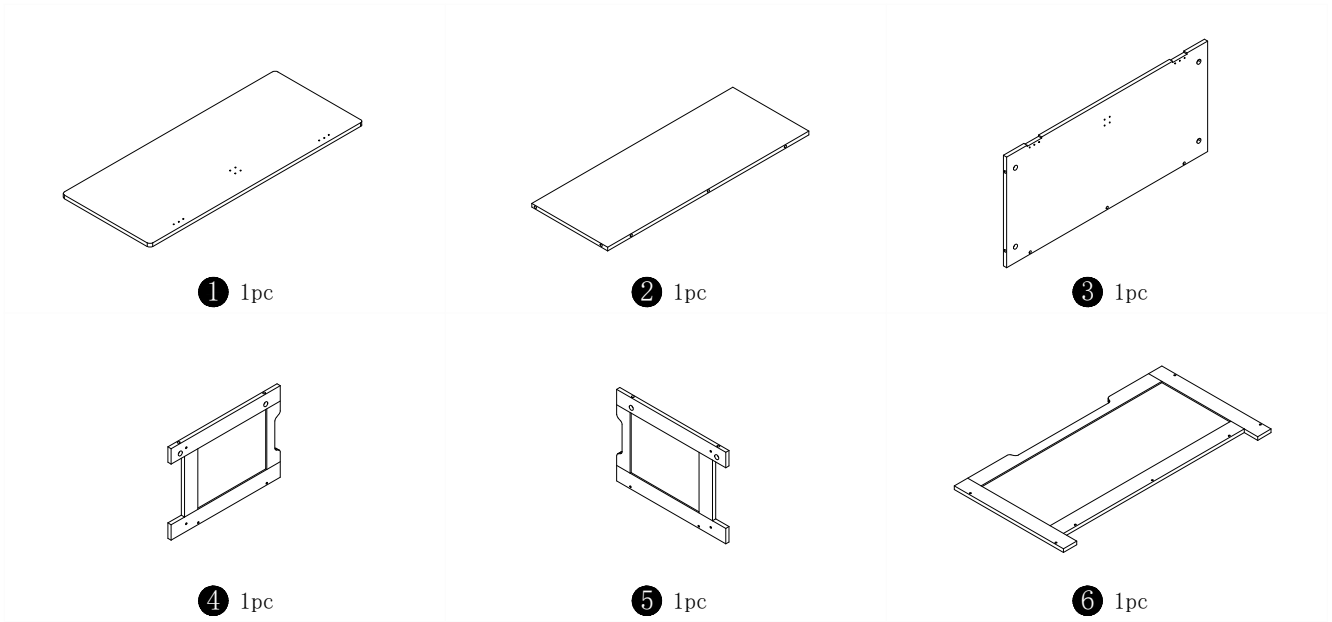
✓



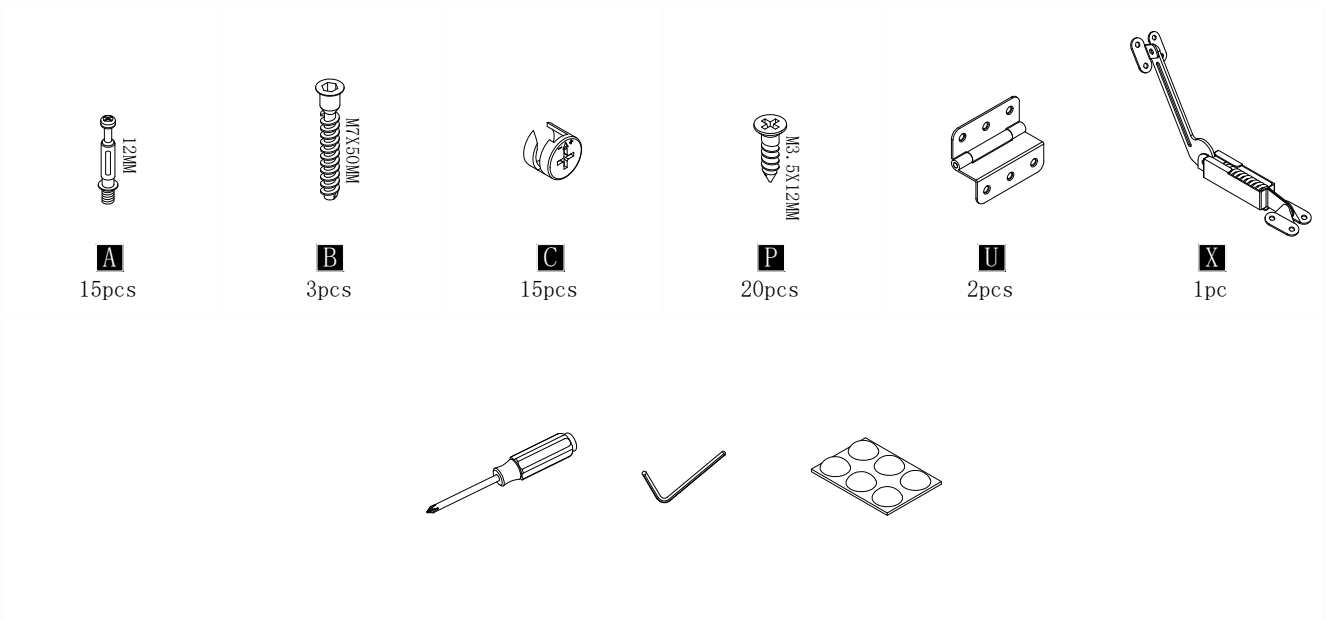
⚠ Caution

Make sure all parts are included. Most board parts are labeled or stamped on the raw edge. Contact us for free replacement if having damaged or missing parts.

Parts & Hardware List

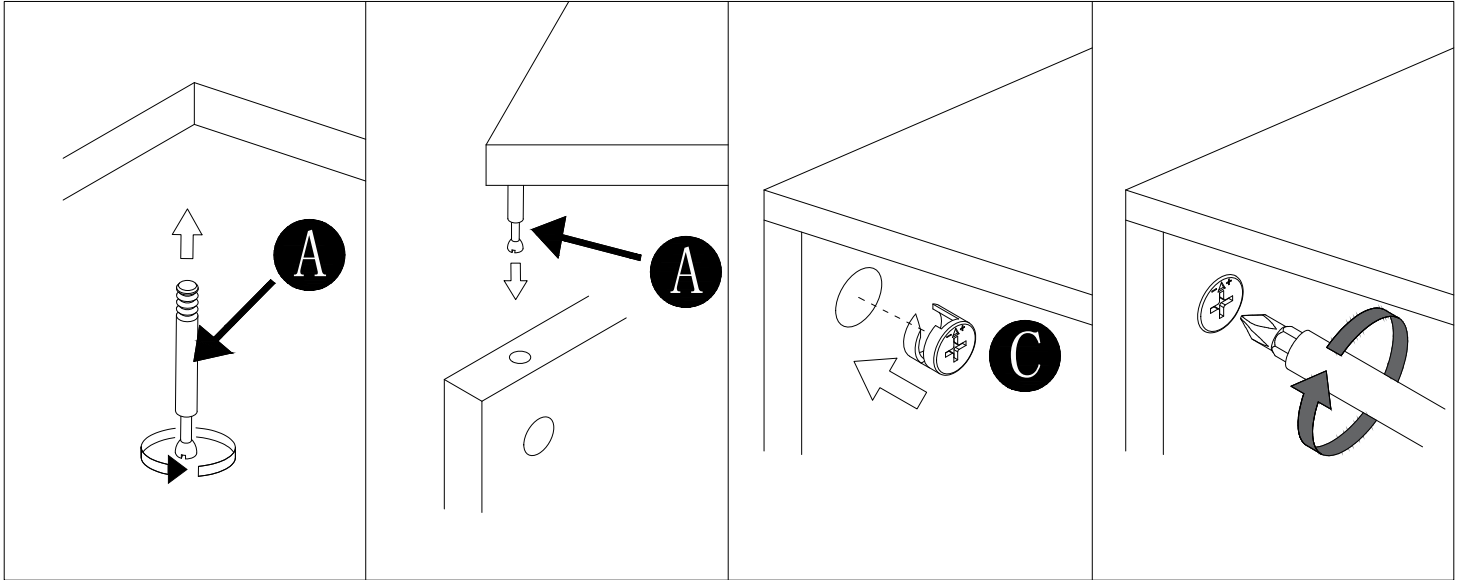


Parts & Hardware List

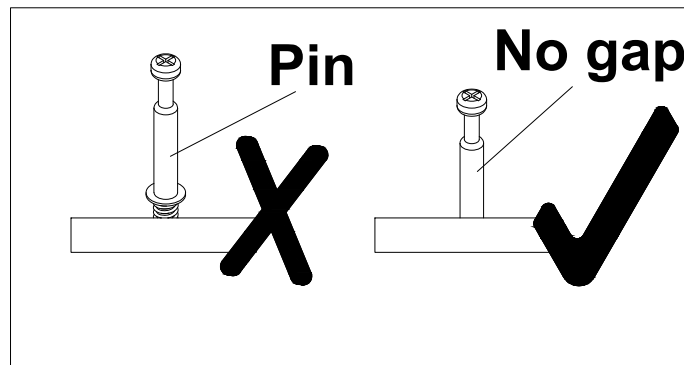


Installation of Cams and Pins

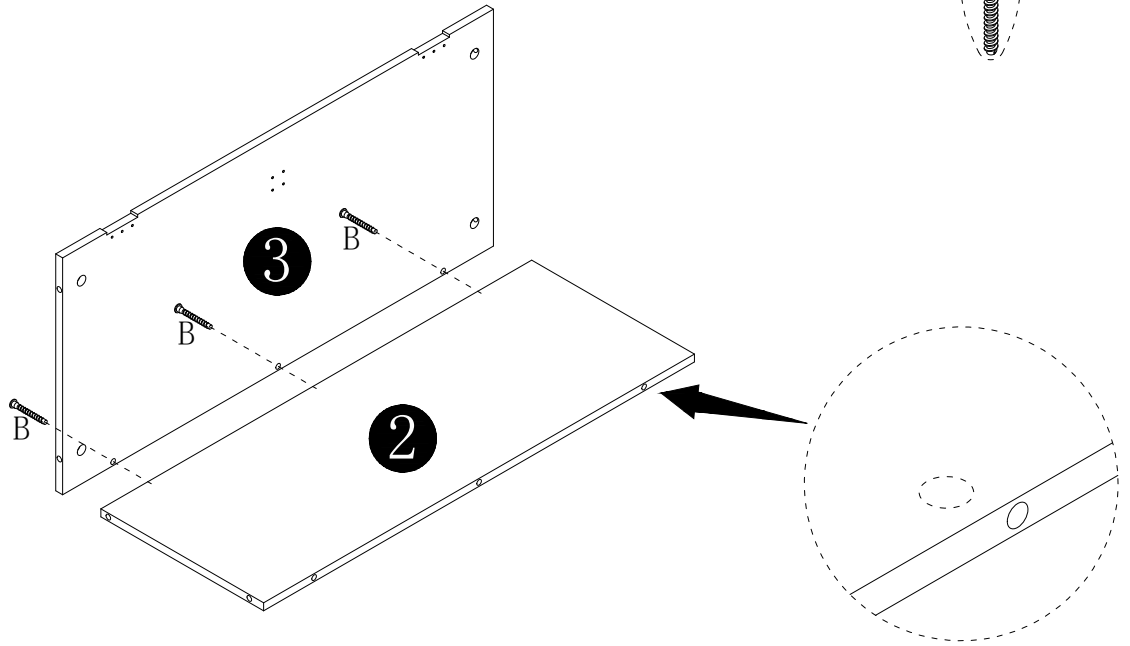
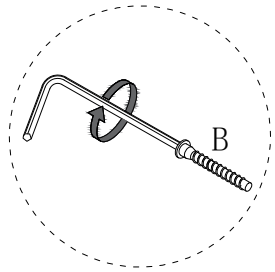
Screw the pin into the hole. To set the cams correctly, ensure that the arrow on the cam is opening to the hole of the pin it is locking. Lock the cam by turning the cam head with a screwdriver until it is tightened. Please do not use an electric screwdriver to assemble the unit.



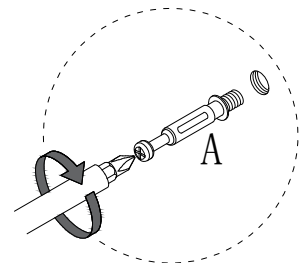
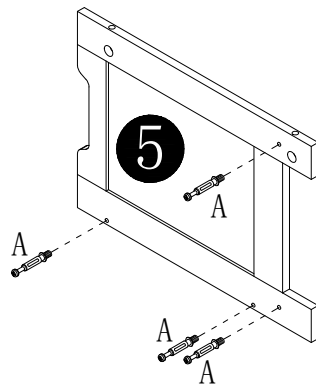
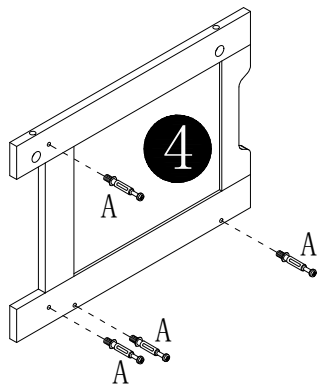
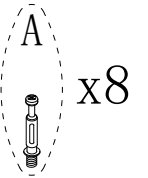
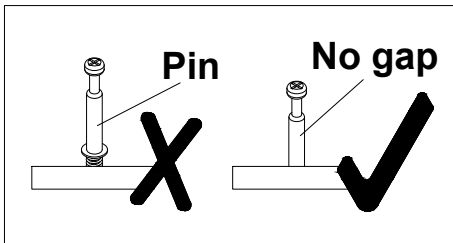
Read each step carefully before starting. It is very important that each step of instruction is performed in the correct order. If these steps are not followed in sequence, assembly difficulties will occur.



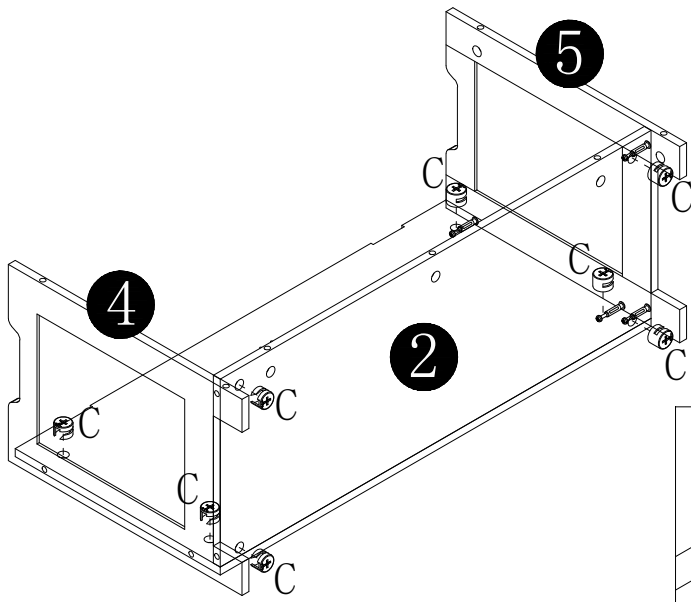
1



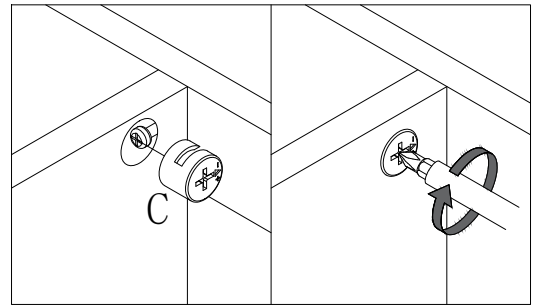
2



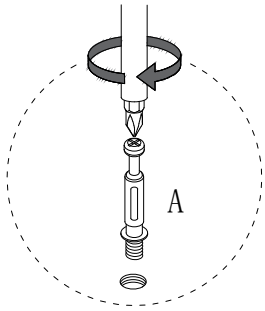
3



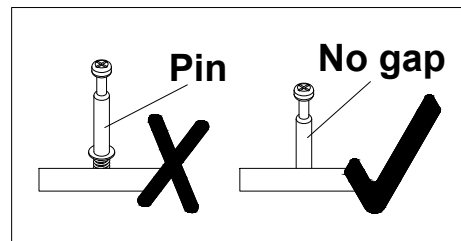
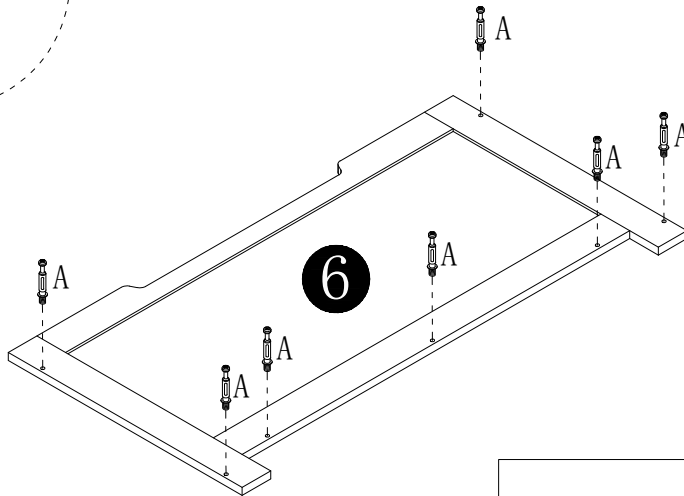
C x8



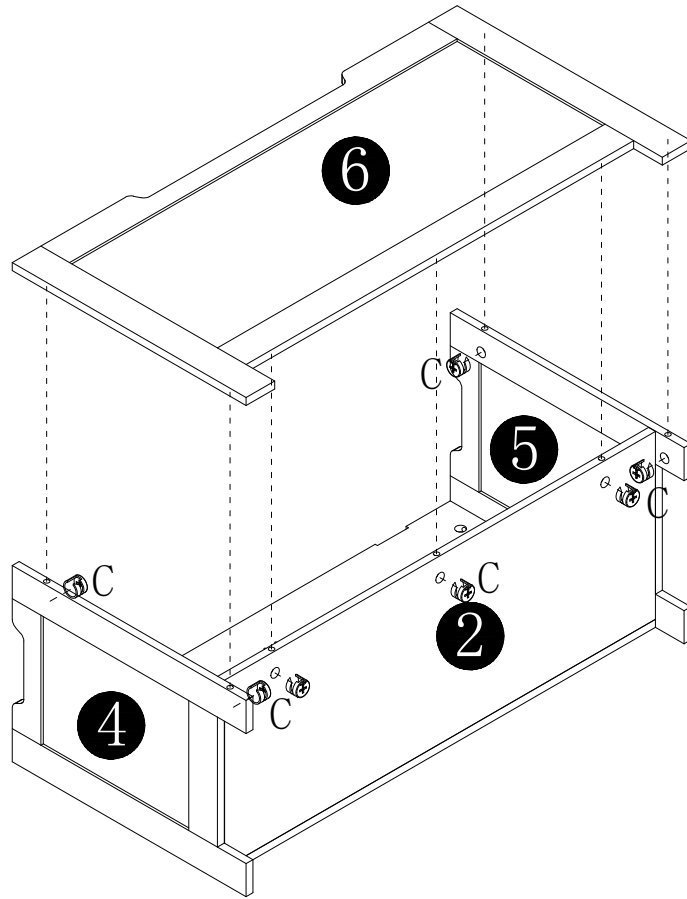
4



A x7

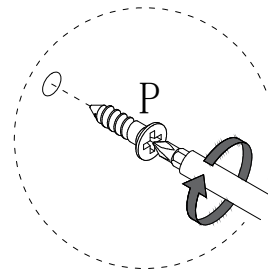
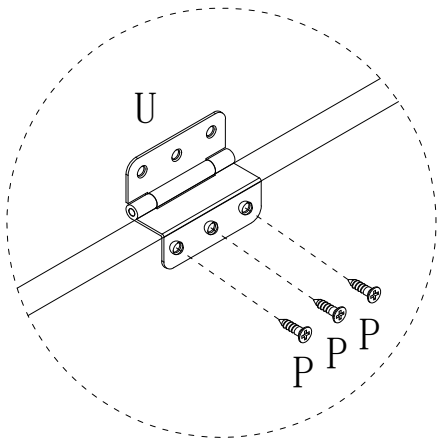


5



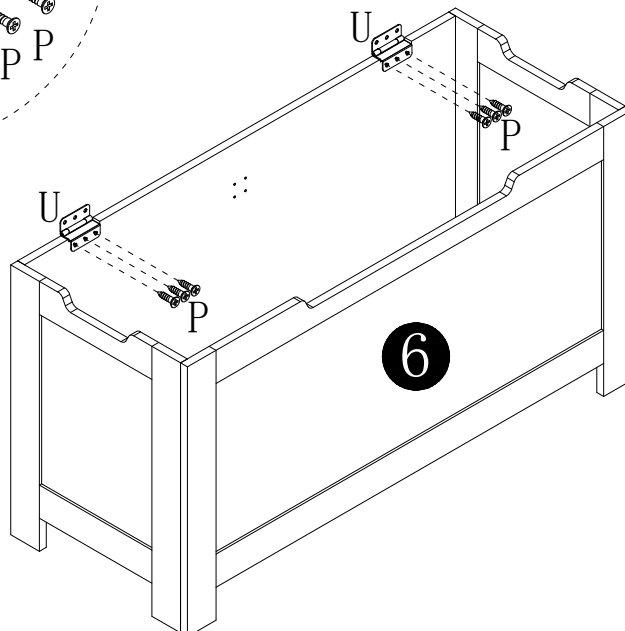
C x7

6

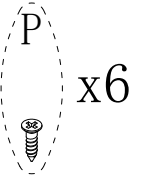
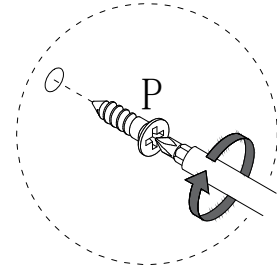
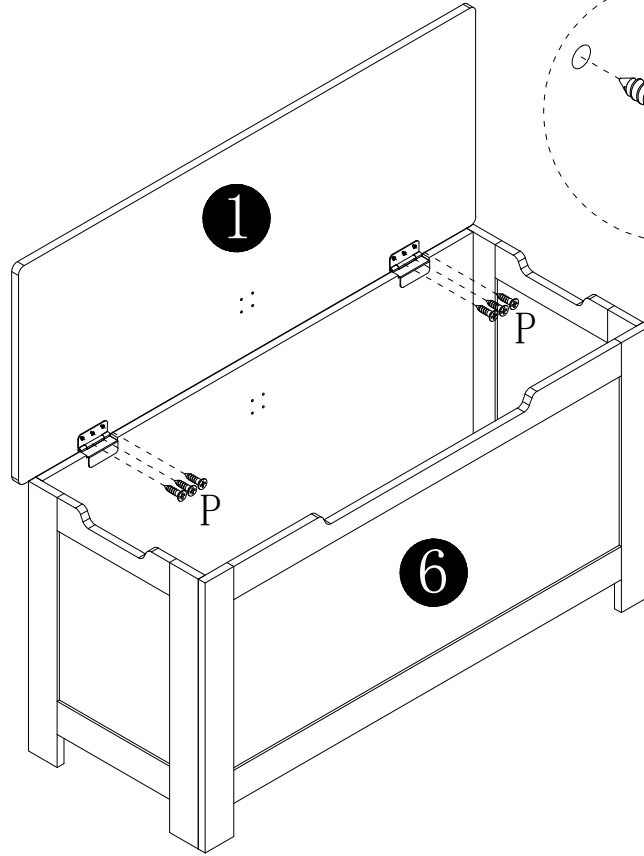
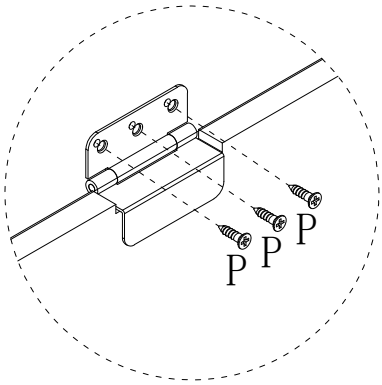


P x6

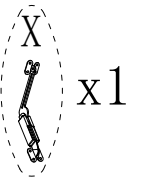
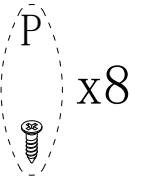
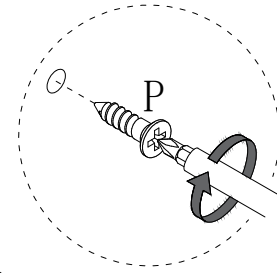
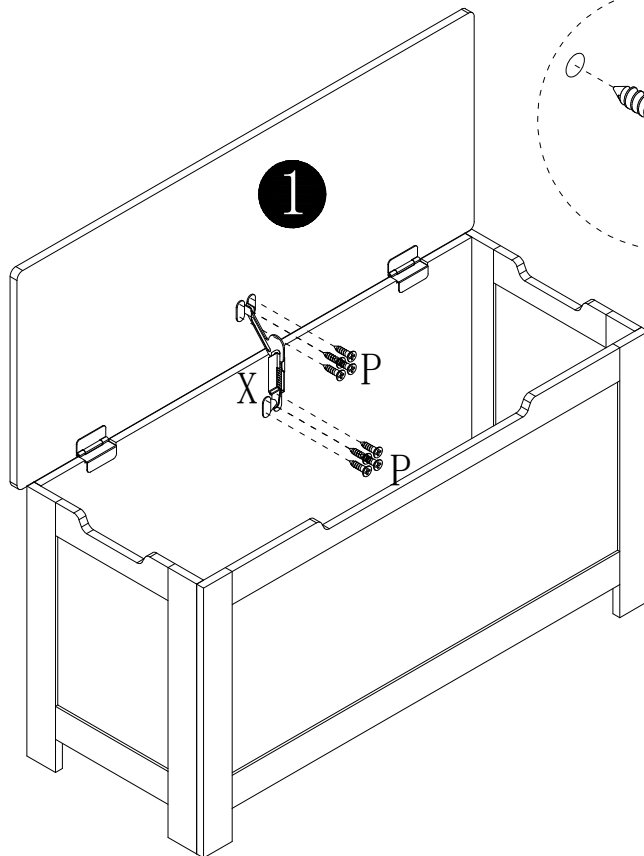
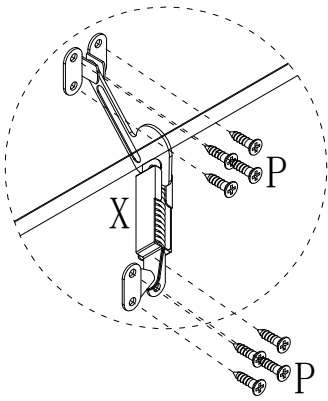
U x2



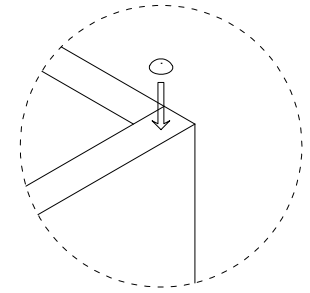
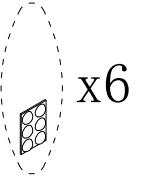
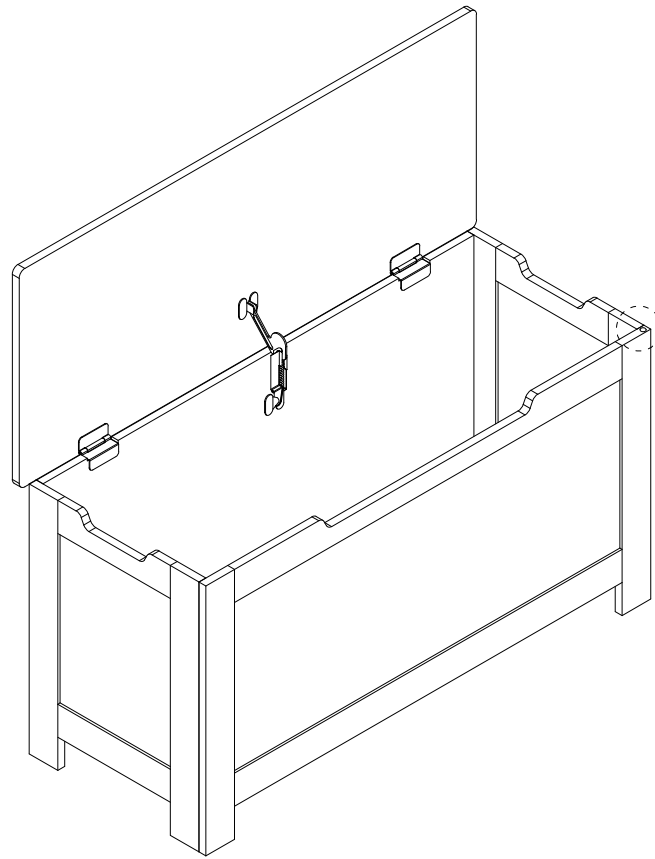
7



8



9



The noise reduction pad can reduce noise and can be installed at four corners

10

