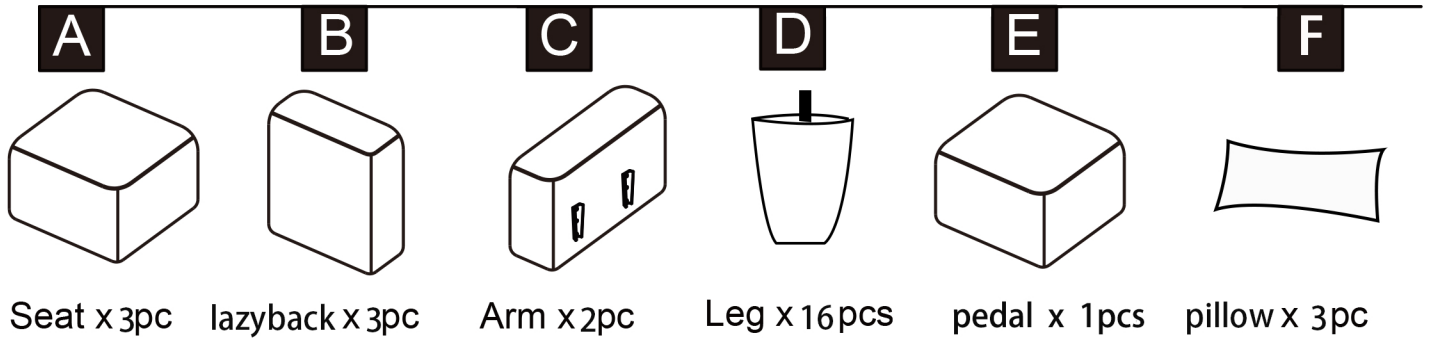
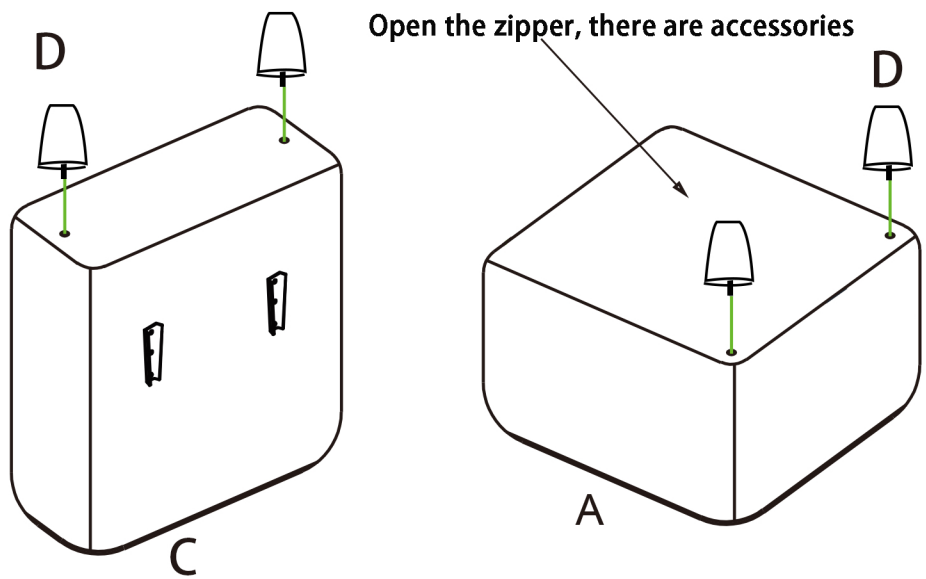


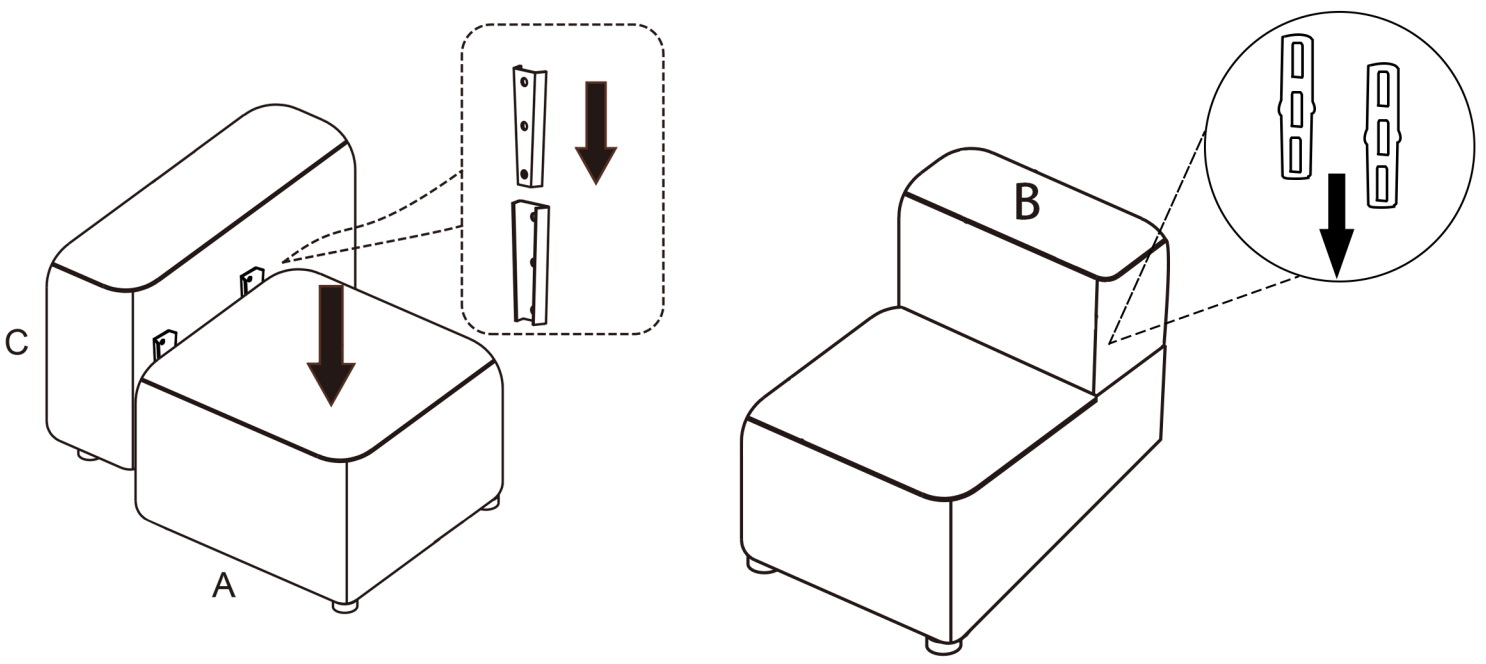
ASSEMBLY INSTRUCTION



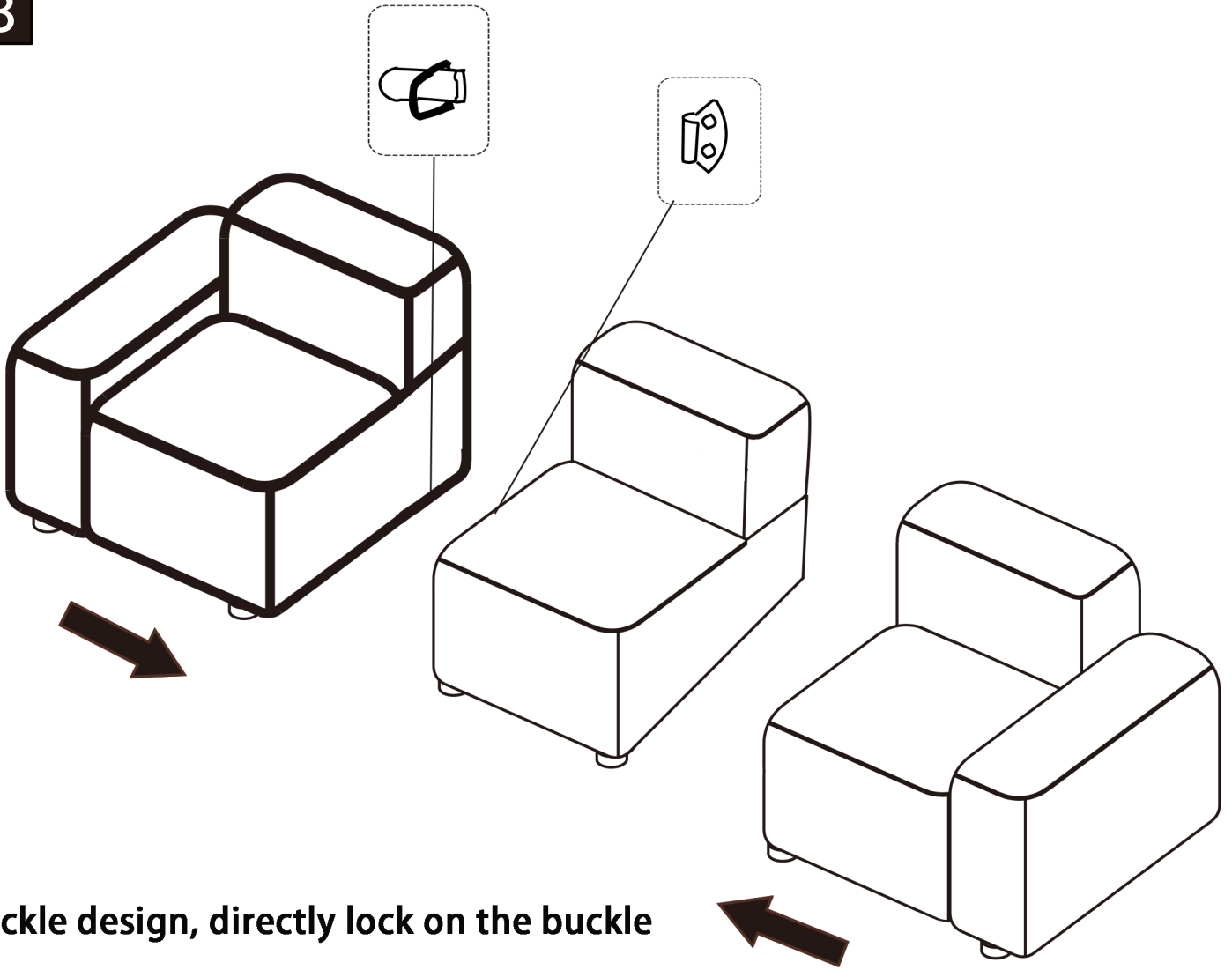
1



2



3



Buckle design, directly lock on the buckle

