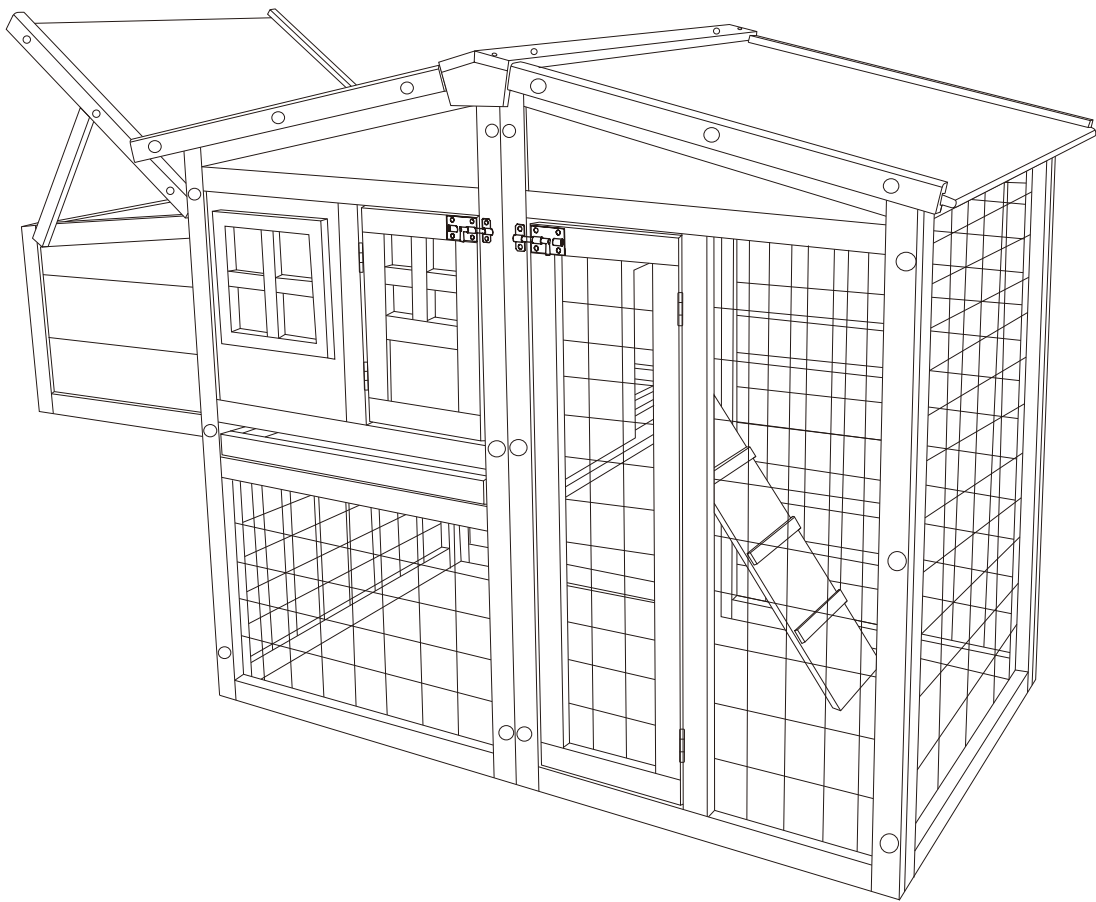


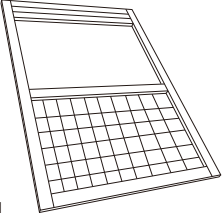
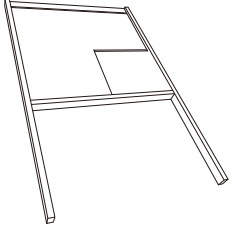
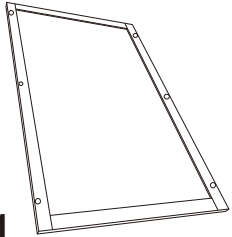
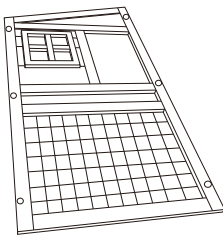
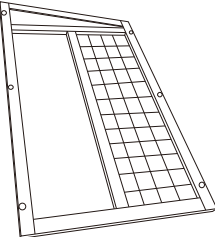
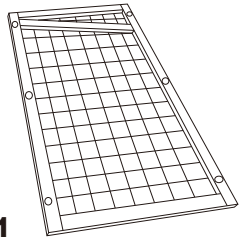
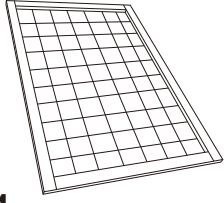
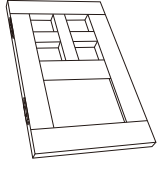
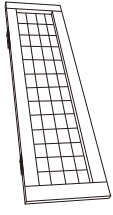
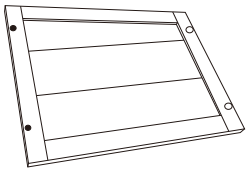
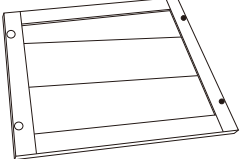
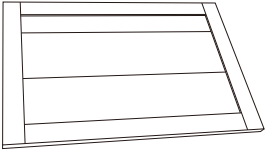
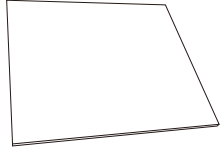
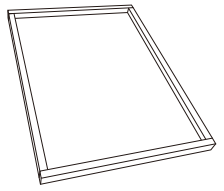
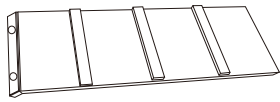
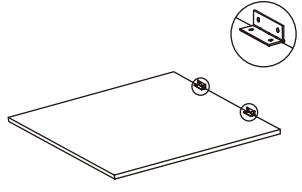
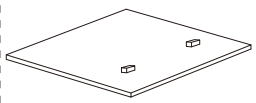
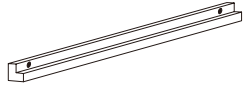
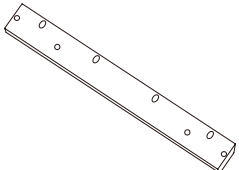
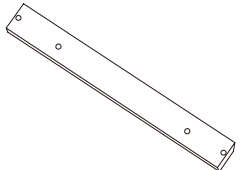
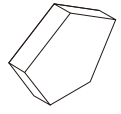
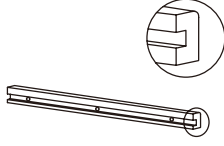
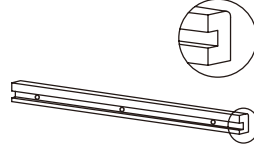



# INSTRUCTION MANUAL

W1625137504/W1625137505






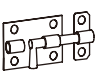



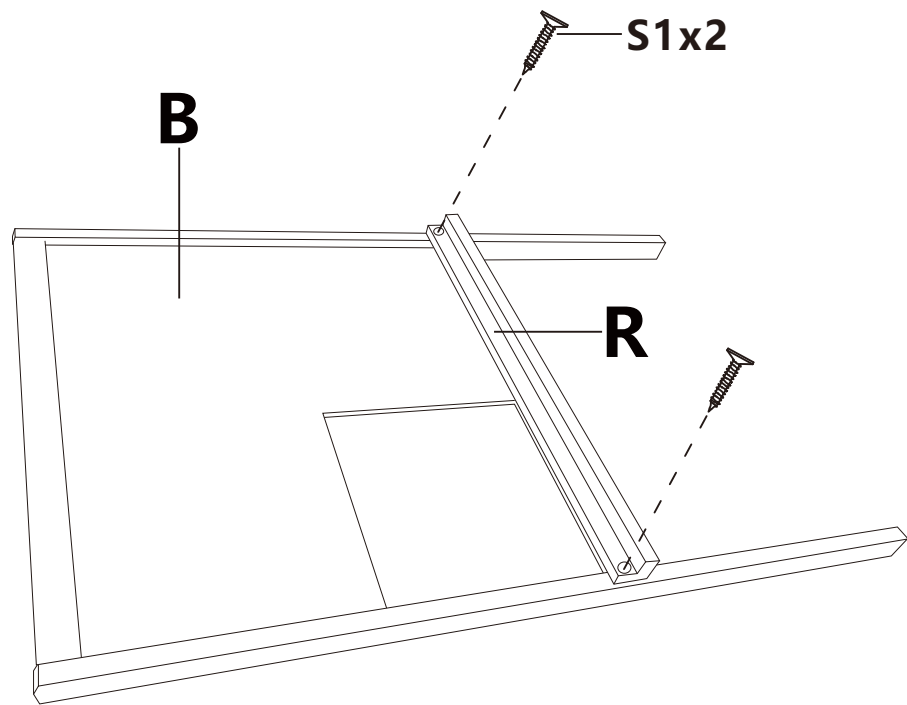
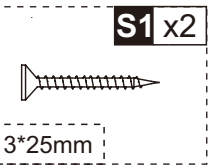
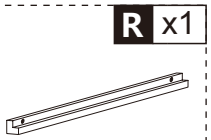
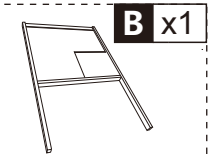
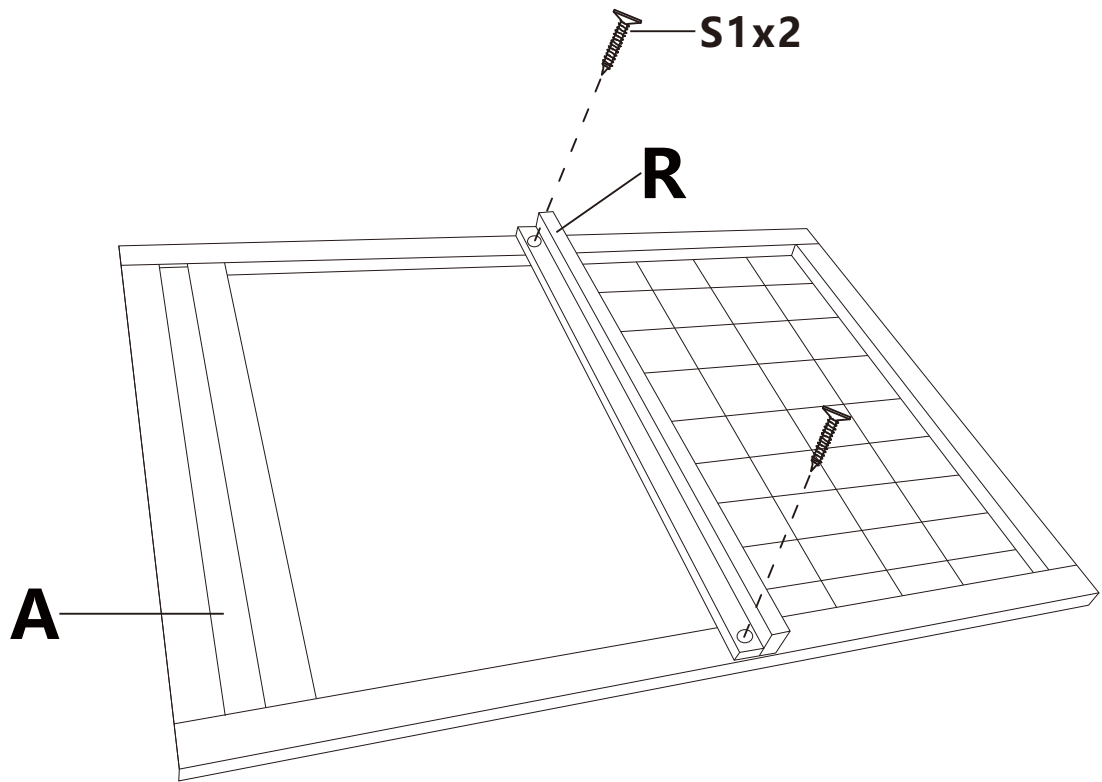
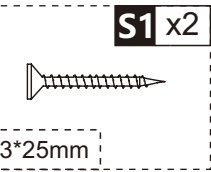
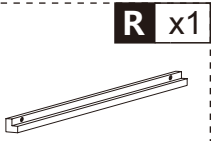
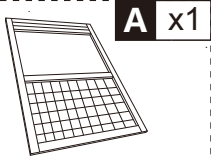
Please read the Manual carefully before operation. If the parts were missed or damaged, please contact us. We will reply and solve the problem for you in 24 hours.

**PARTS**

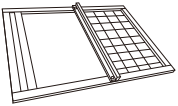
 <b>Ax1</b>	 <b>Bx1</b>	 <b>Cx1</b>	 <b>Dx1</b>	
 <b>Ex1</b>	 <b>Fx1</b>	 <b>Gx1</b>	 <b>Hx1</b>	
 <b>Ix1</b>	 <b>Jx1</b>	 <b>Kx1</b>	 <b>Lx1</b>	
 <b>Mx1</b>	 <b>Nx1</b>	 <b>Ox1</b>	 <b>Px1</b>	
 <b>Qx2</b>	 <b>Rx2</b>	 <b>Sx1</b>	 <b>Tx1</b>	 <b>Ux2</b>
 L:39CM <b>Vx2</b>	 L:50.8CM <b>Wx4</b>	 L:45.5CM <b>Xx1</b>	 L:36CM <b>Yx2</b>	 L:26CM <b>Zx1</b>

**HARDWARE**

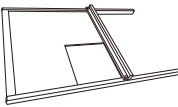
 <b>S1</b> 3.0*25mm 37pcs	 <b>S2</b> 3.0*20mm 12pcs	 <b>S3</b> 2.5*18 mm 26pcs	 <b>S4</b> 2.5*10 mm 28pcs
 <b>S5</b> 2pcs	 <b>S6</b> 2pcs	 <b>S7</b> 2pcs	



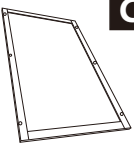
01



02



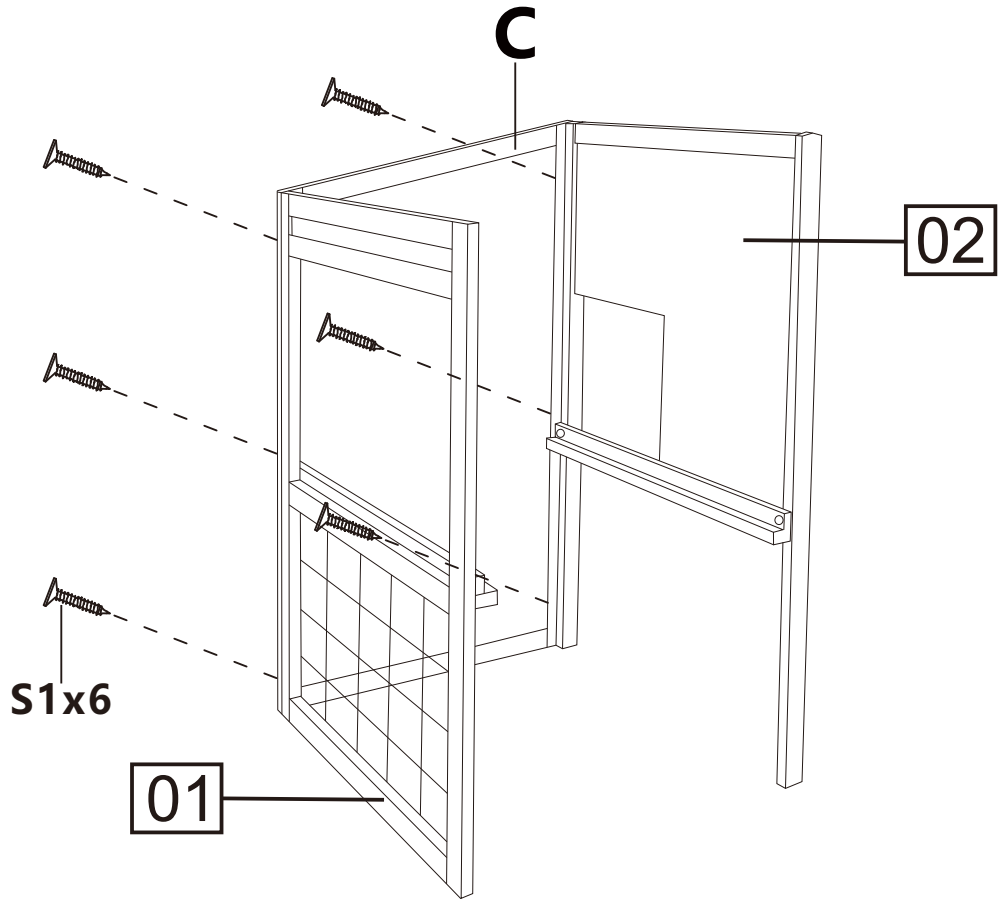
C x1



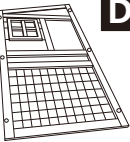
S1 x6



3\*25mm



D x1



H x1

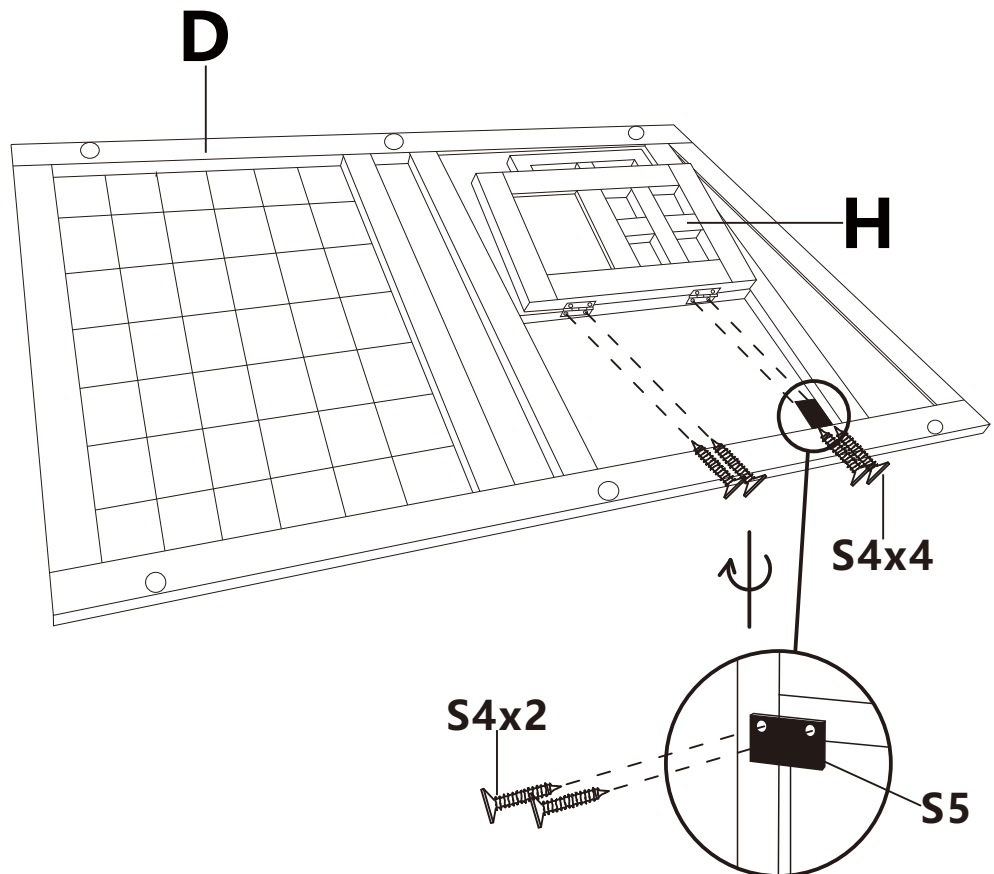


S4 x6



2.5\*10mm

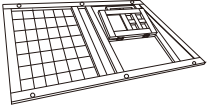
S5 x1



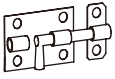
S5 needs to be installed on the back side of D to prevent door H from extending excessively.

05

04



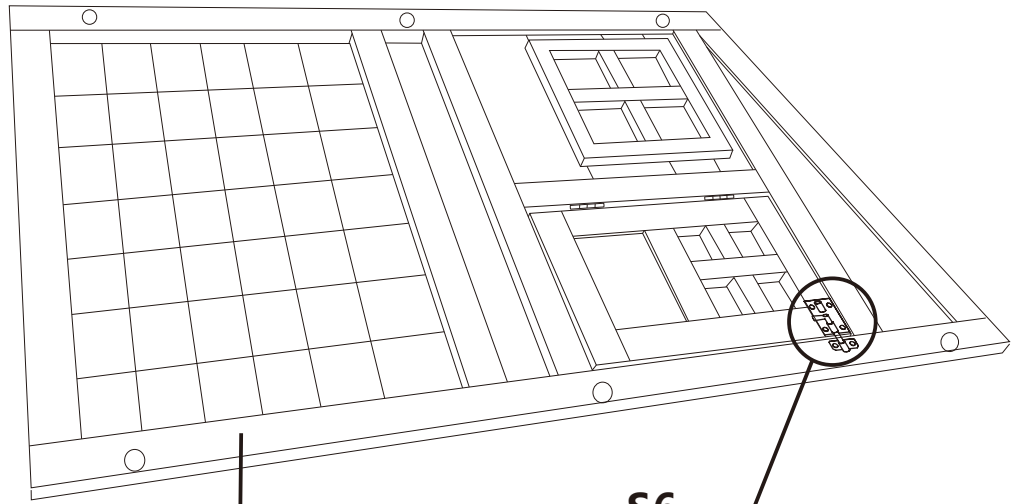
S6 x1



S4 x6



2.5\*10mm



04

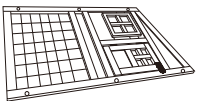
S6

S4x6

03



05

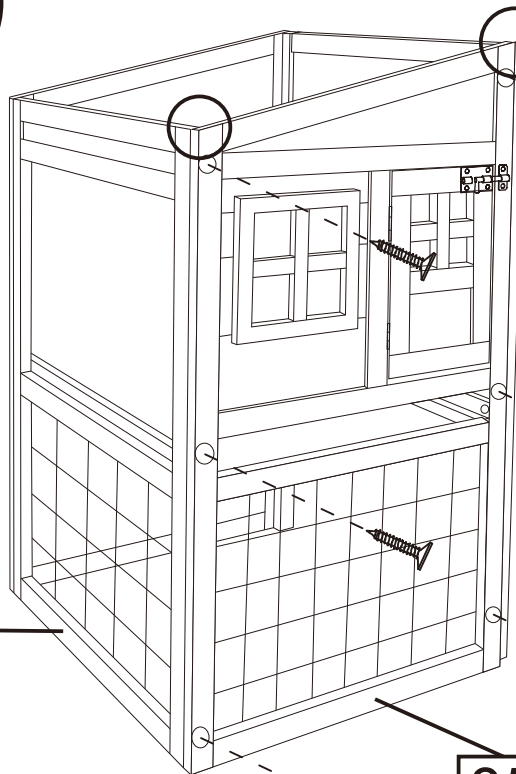
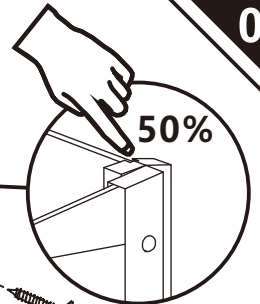
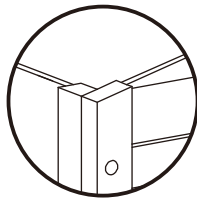


S1 x6



3\*25mm

06



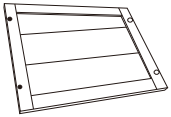
03

05

S1x6

50%

J x1



Y x1

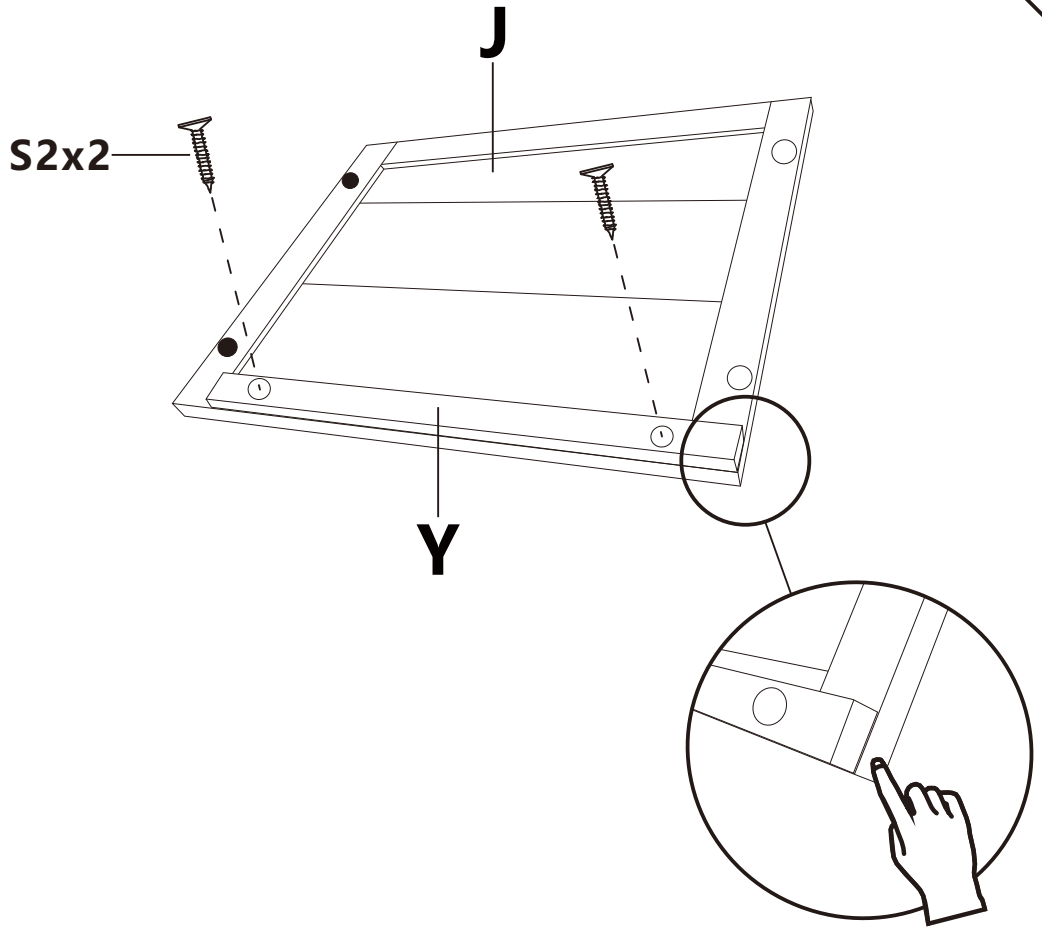


L:36CM

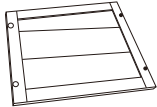
S2 x2



3\*20mm



K x1



Y x1

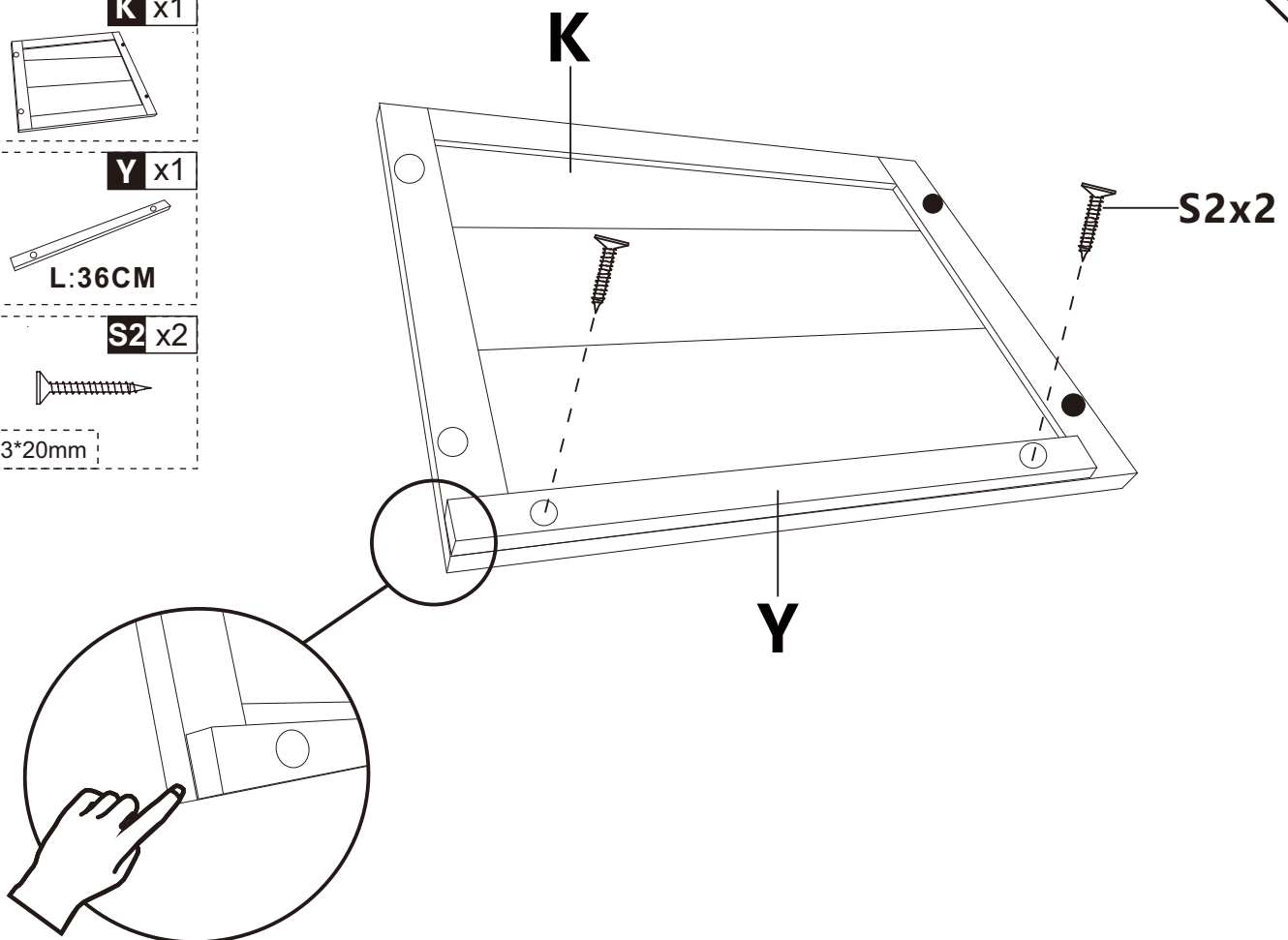


L:36CM

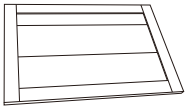
S2 x2



3\*20mm



L x1



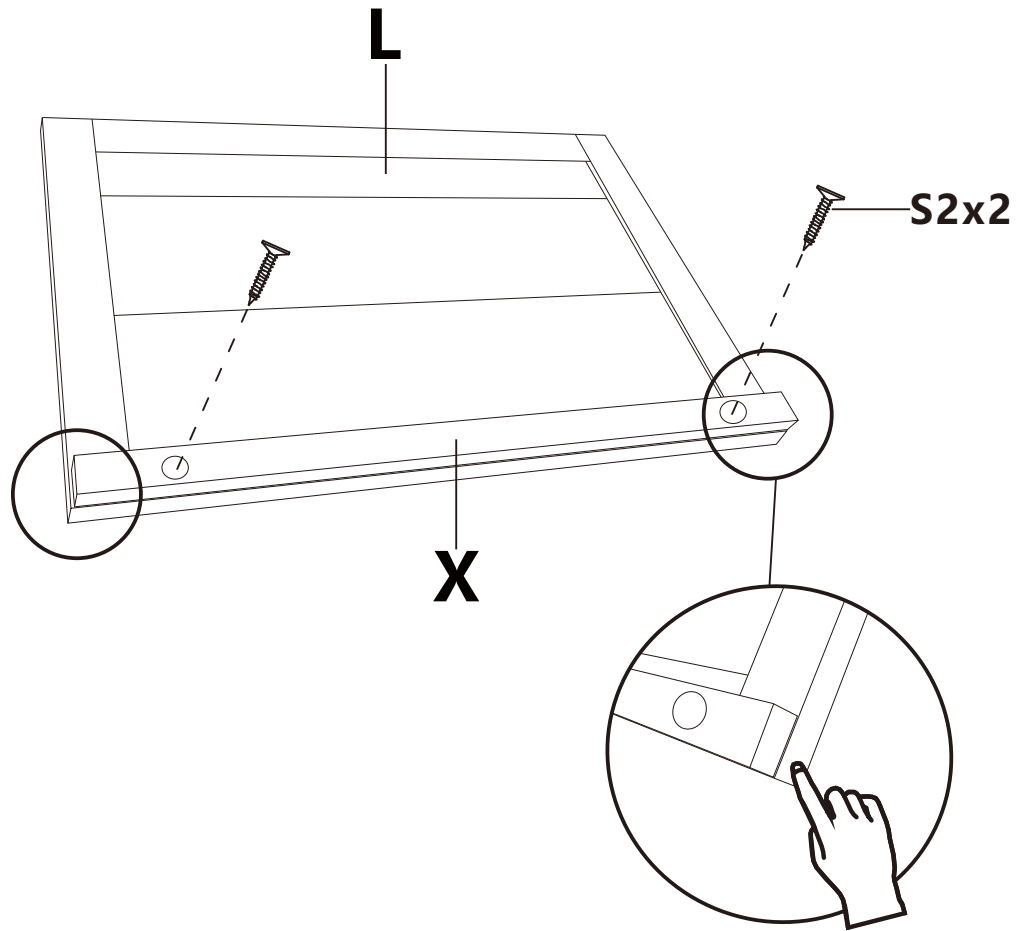
X x1



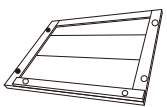
S2 x2



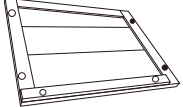
3\*20mm



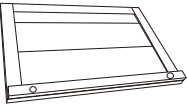
07



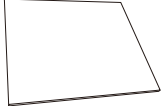
08



09



M x1



Z x1

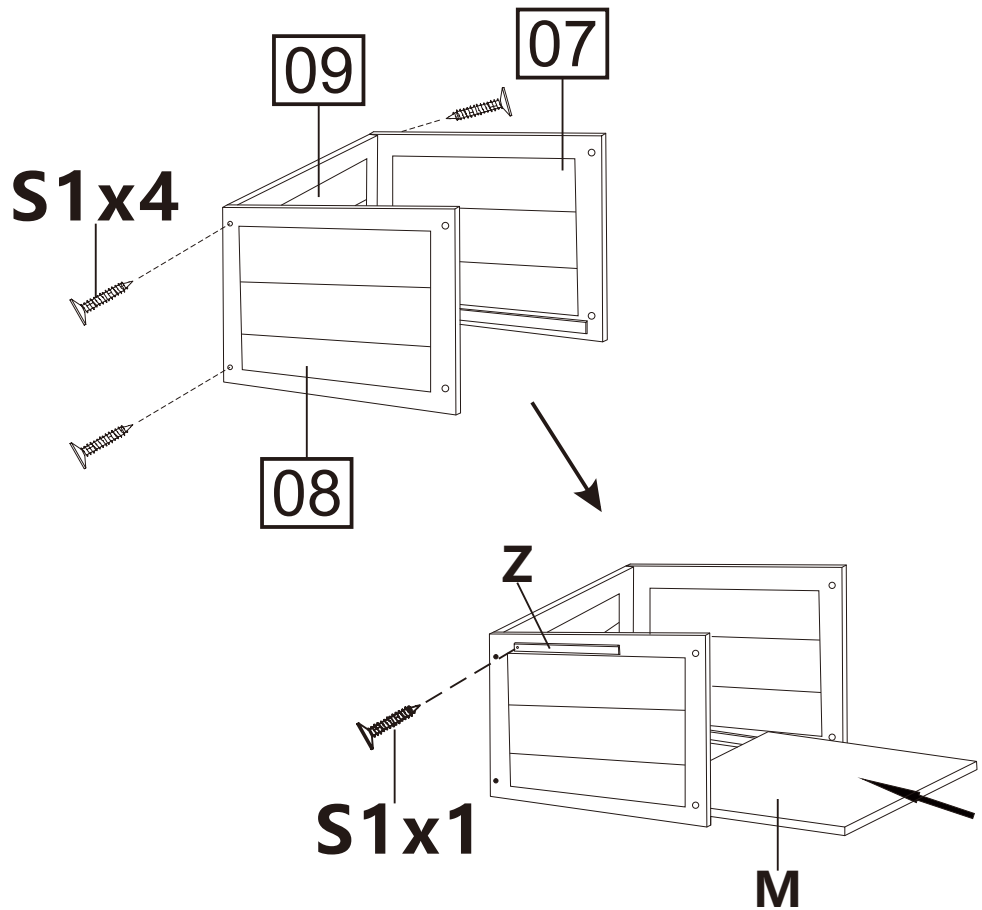


L: 26CM

S1 x5



3\*25mm



06



10



S1 x4

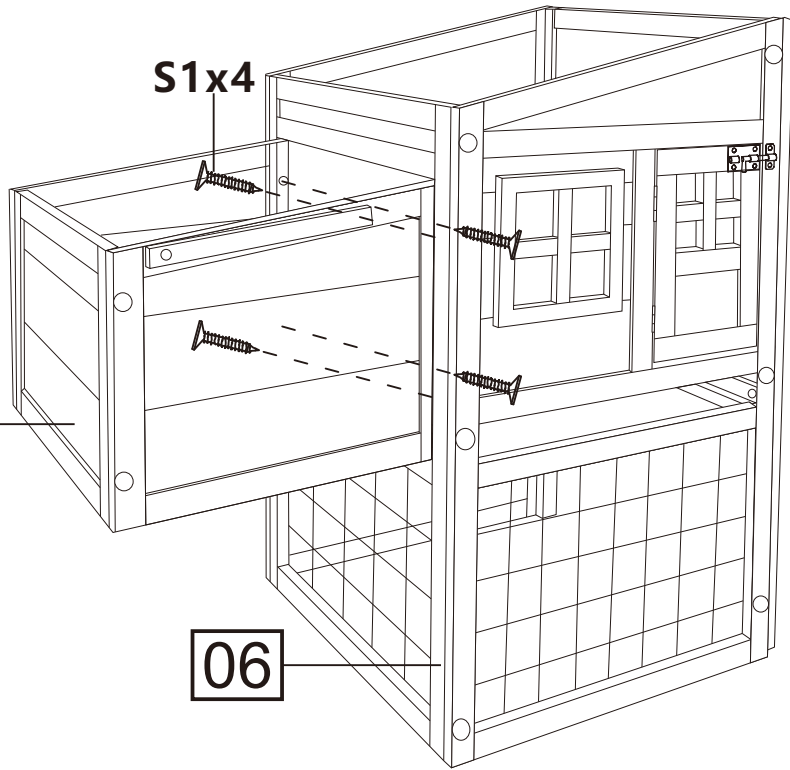


3\*25mm

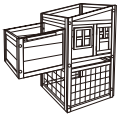
10

S1x4

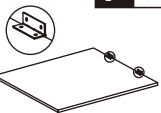
06



11



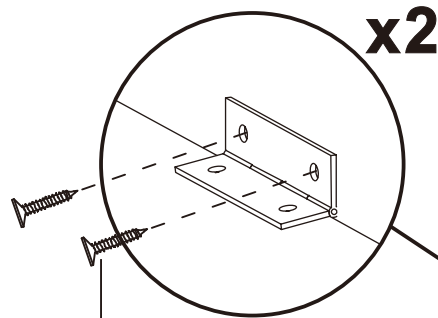
P x1



S4 x4



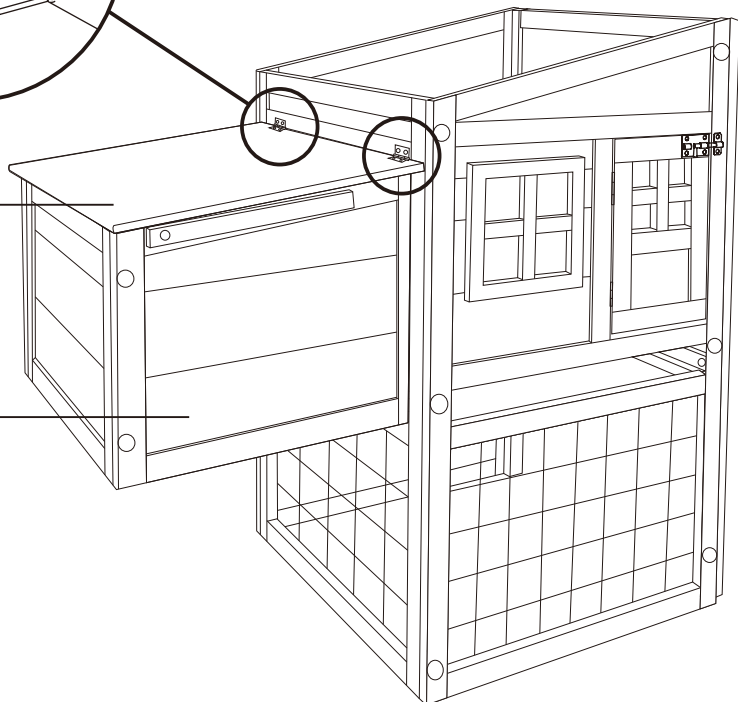
2.5\*10mm



S4x4

P

11





12



V x2



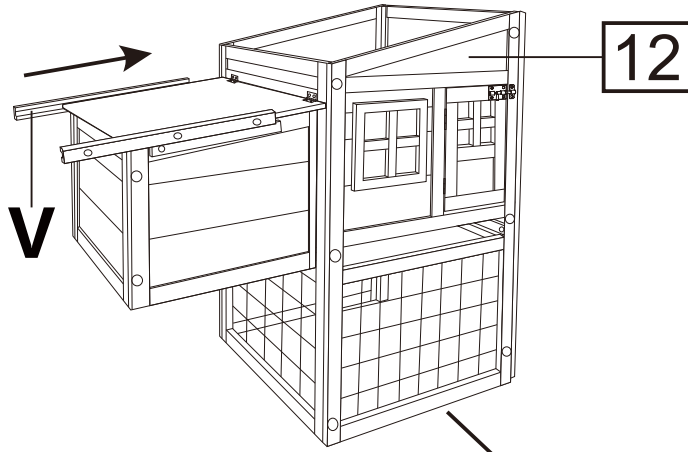
L:39CM



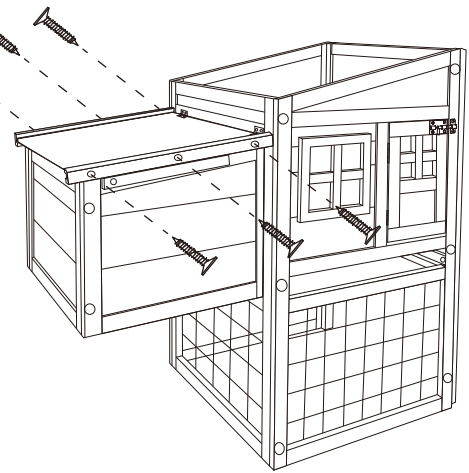
S3 x6



2.5\*18mm



S3x6



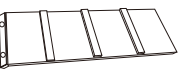
13



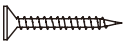
N x1



O x1

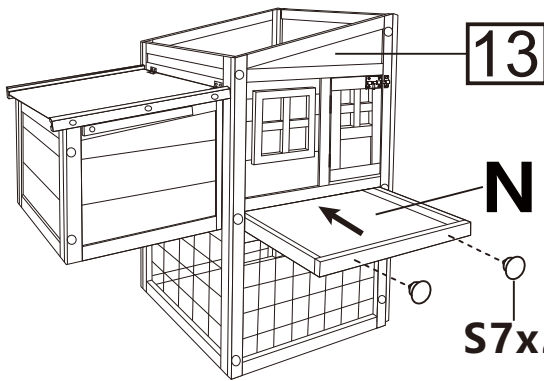


S2 x2

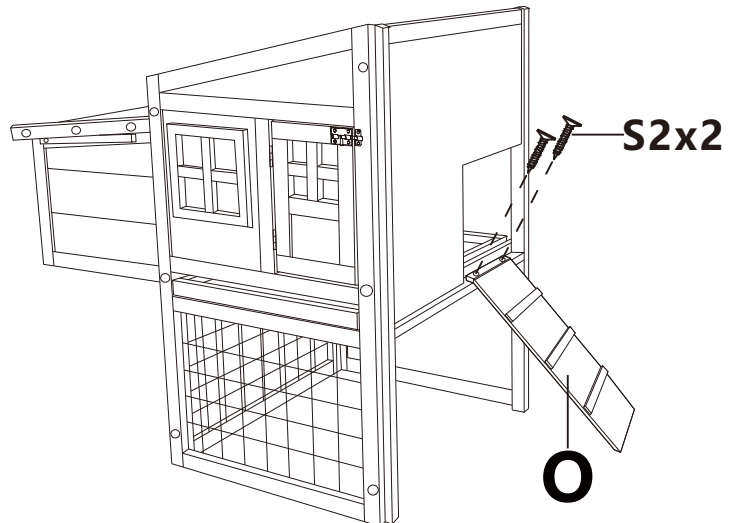
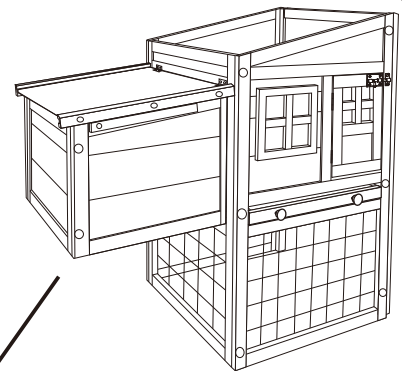






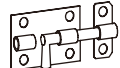
3\*20mm

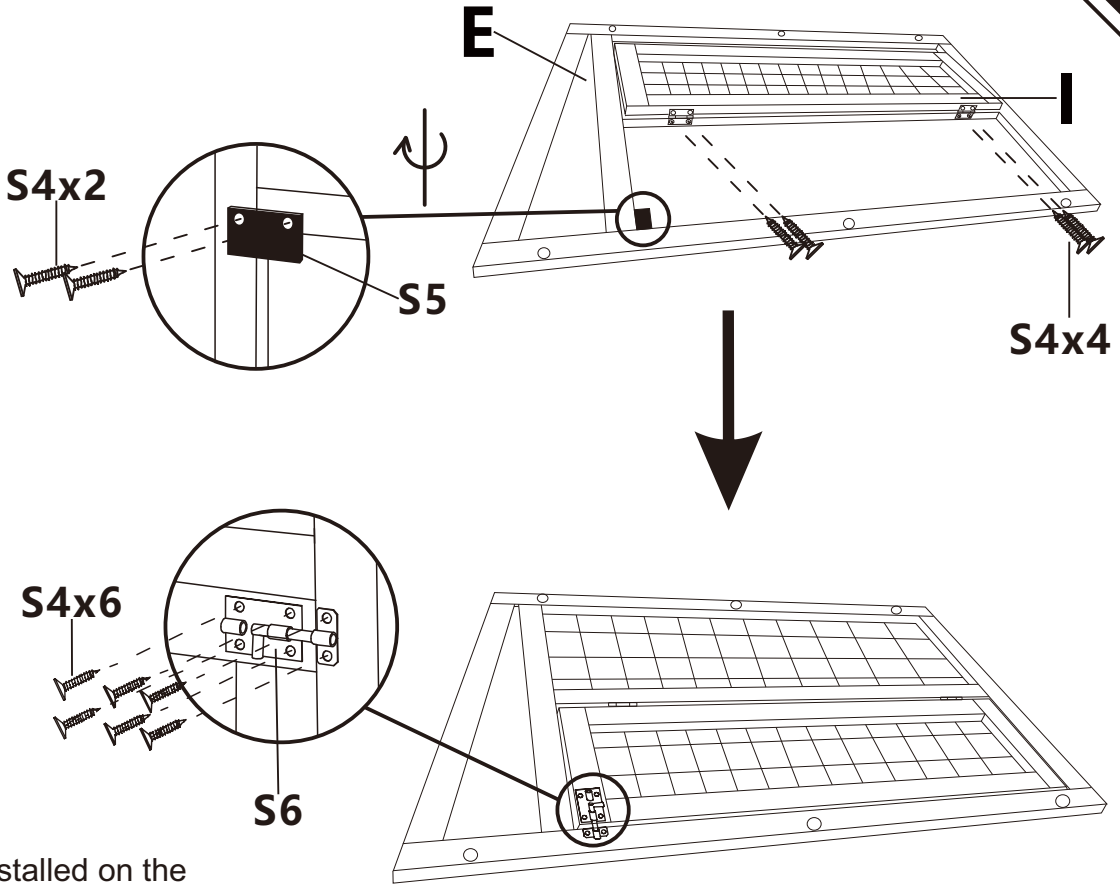
S7 x2




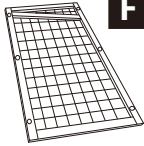
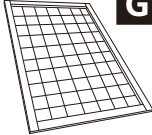

S7x2

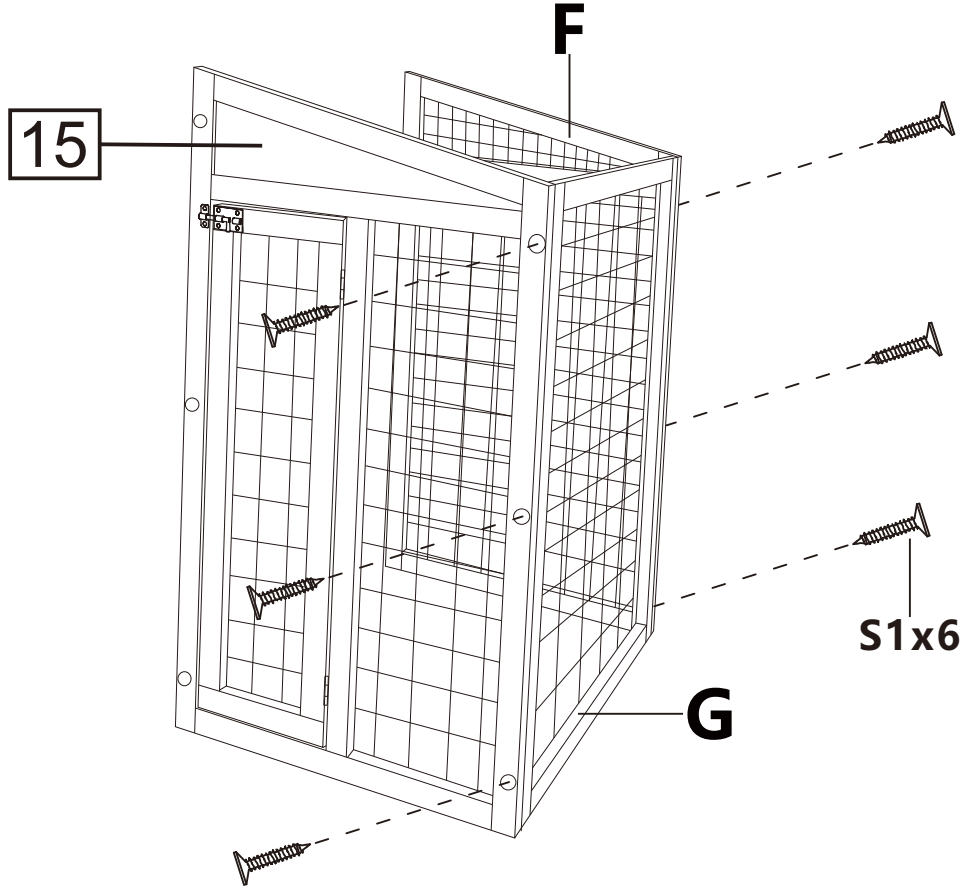


-  **E** x1
-  **I** x1
-  **S4** x12  
2.5\*10mm
-  **S5** x1
-  **S6** x1



S5 needs to be installed on the back side of E to prevent door I from extending excessively.

-  **15**
-  **F** x1
-  **G** x1
-  **S1** x6  
3\*25mm



14



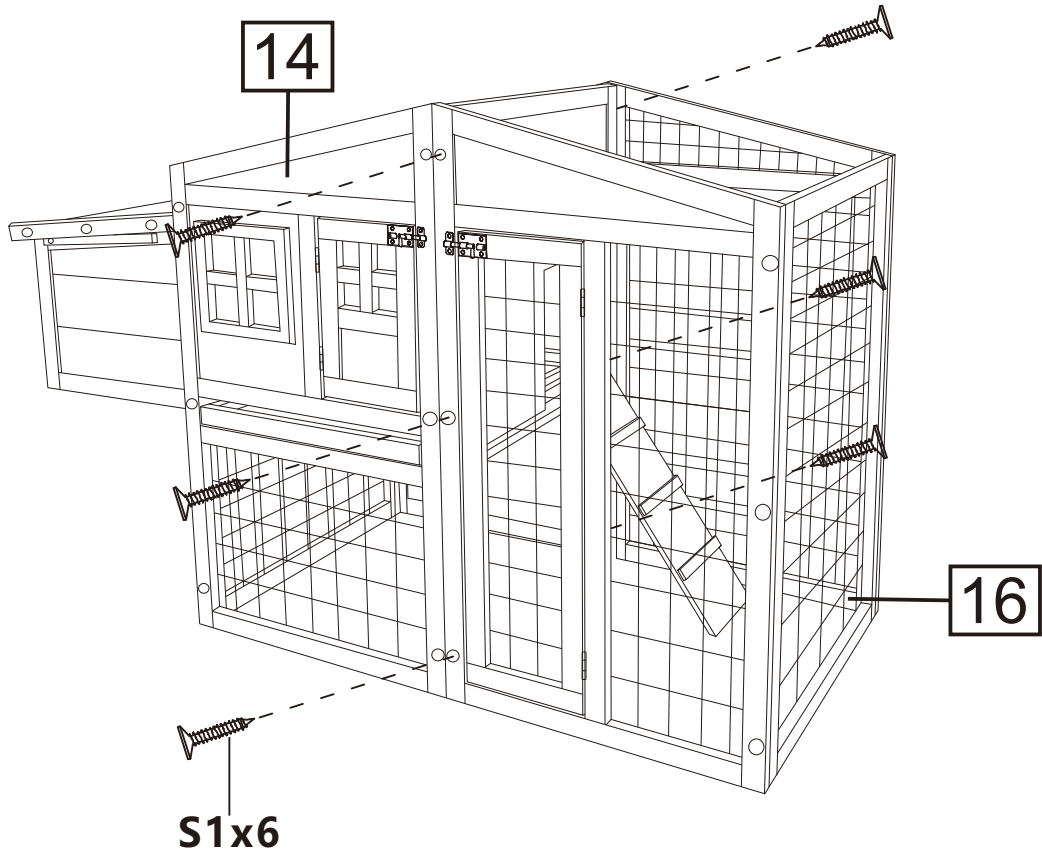
16



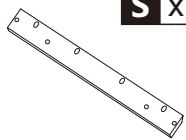
S1 x6



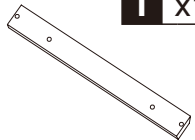
3\*25mm



S x1



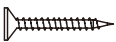
T x1



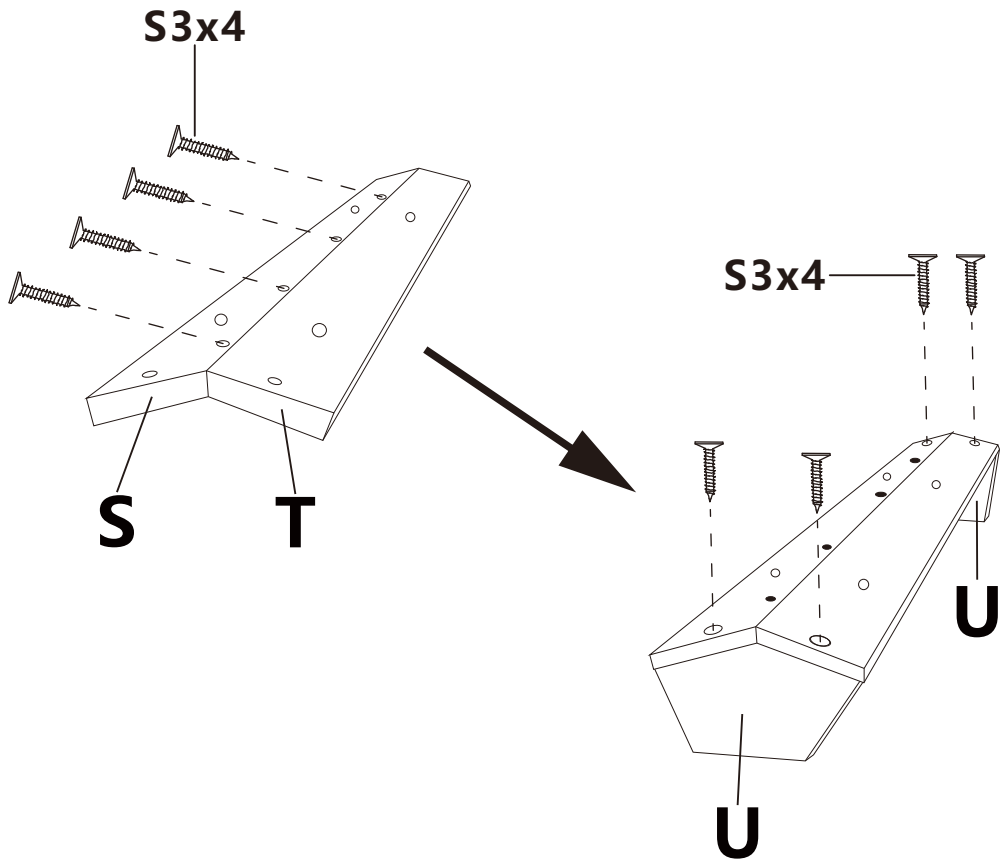
U x2

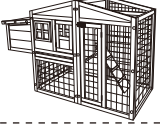
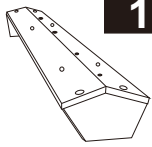
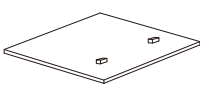




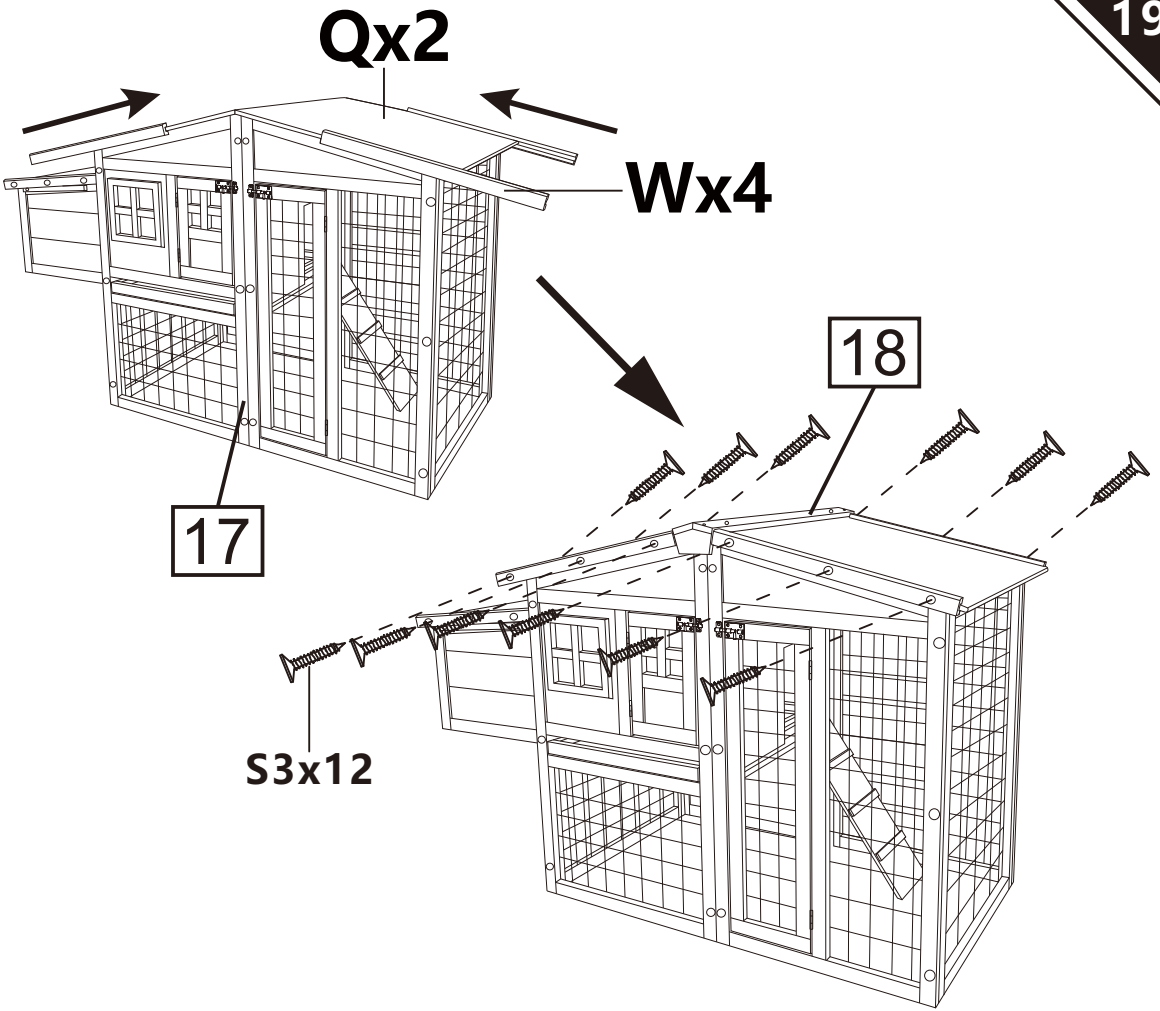
S3 x8

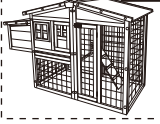



2.5\*18mm



- 17**  

- 18**  

- Q x2**  

- W x4**  
  
L: 50.8CM
- S3 x12**  
  
2.5\*18mm



- 19**  

- S2 x4**  
  
3\*20mm

