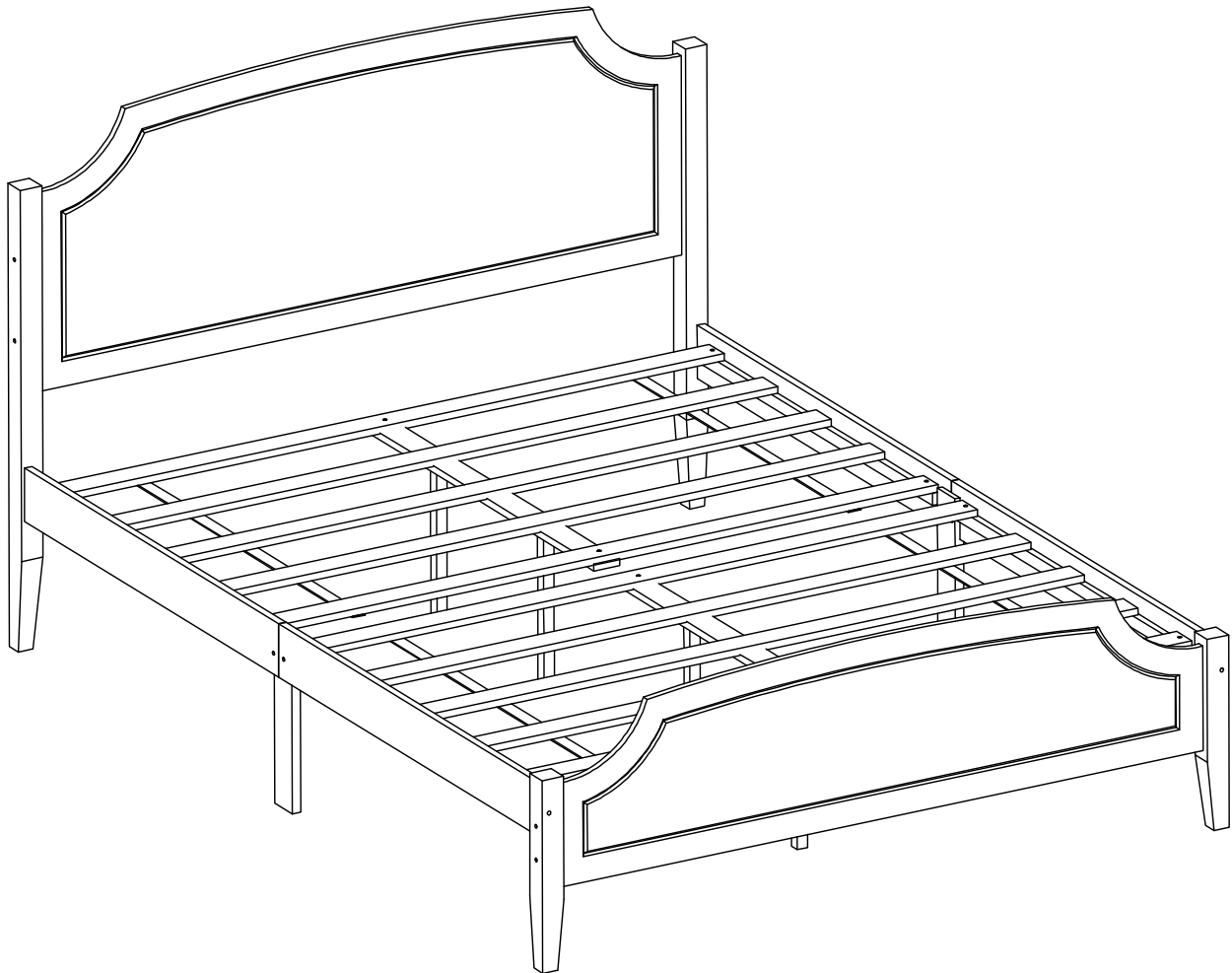


ASSEMBLY INSTRUCTIONS

Item No : W1596102250/ W1596102250/ W1596102005 & W1596102251

Description : FULL/ QUEEN & KING BED

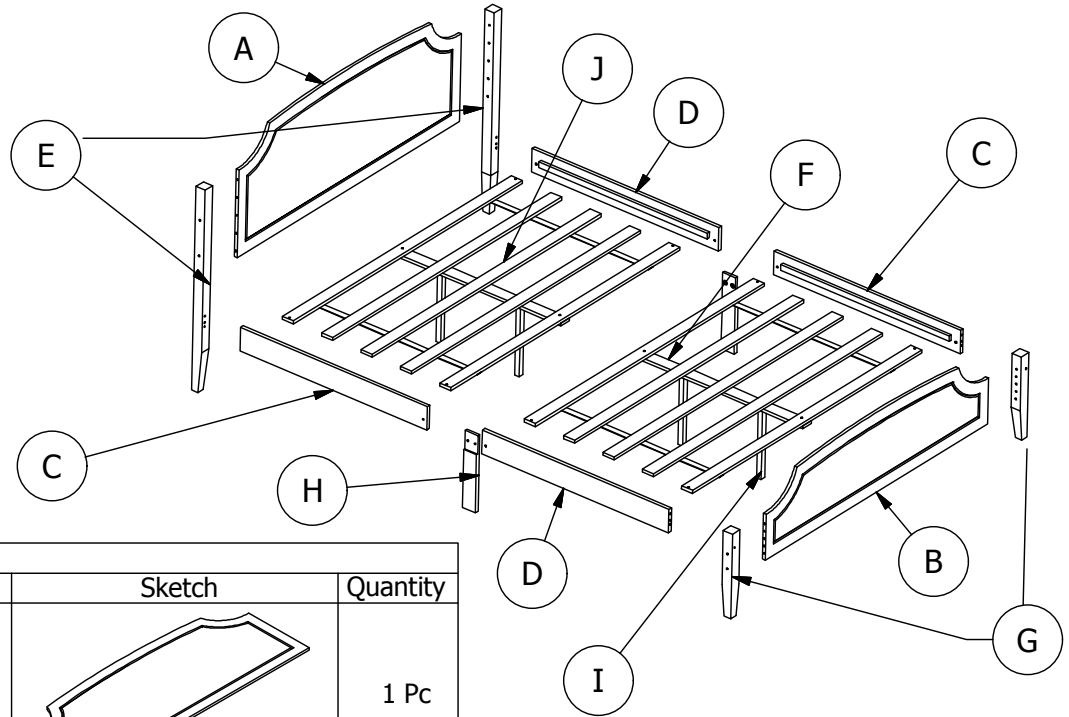
Thank you for purchasing this quality product. Be sure to check all packing material carefully for small part that may have come loose inside the carton during shipment.



**W1596102250/ W1596102250/  
W1596102005 & W1596102251**

**ASSEMBLY INSTRUCTIONS**  
 Item No : W1596102250/ W1596102250/ W1596102005 & W1596102251  
 Description : FULL/ QUEEN & KING BED

Thank you for purchasing this quality product. Be sure to check all packing material carefully for small part that may have come loose inside the carton during shipment.



**PART LIST:**

No.	Description	Sketch	Quantity
A	Headboard		1 Pc
B	Footboard		1 Pc
C	Side Rails "C"		2 Pcs
D	Side Rails "D"		2 Pcs
E	Headboard Posters L/R		2 Pcs
F	Center Rail		2 Pcs
G	Footboard Posters L/R		2 Pcs
H	Side Rails Support		2 Pcs
I	Slat Support Leg		4 Pcs
J	Slat Base		2 Sets

**HARDWARE LIST:**

No.	Description	Sketch	Size	Quantity
1	JCBC		M6x80	12 Pcs
2	JCBC-W		M7x40	4 Pcs
3	Chipboard Screw		M4x30	12 Pcs
4	Wood Dowel		M8x40	20 Pcs
5	Allen Key		M4	1 Pc
6	JRN Nut		M6 10x13	12 Pcs
7	JCBC		M6x30	4 Pcs

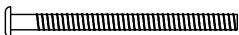
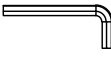
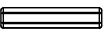

# ASSEMBLY INSTRUCTIONS

Item No : W1596102250/ W1596102250/ W1596102005 & W1596102251

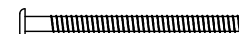
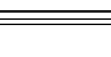
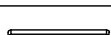

Description : FULL/ QUEEN & KING BED

Thank you for purchasing this quality product. Be sure to check all packing material carefully for small part that may have come loose inside the carton during shipment.

Step 1: Insert the Wood Dowel (4) onto pre-drilled holes of the set of the bed post (E) by hand. Then attach the headboard panel (A) to the bed post with inserting JRN Nut (6) from the back of headboard panel & screwing JCBC (1) by using Allen Key (5).

1	JCBC		M6x80	4 Pcs
5	Allen Key		M4	1 Pc
4	Wood Dowel		M8x40	10 Pcs
6	JRN Nut		M6 10x13	4 Pcs

Step 2: Footboard- Insert Wood Dowel (4) onto pre-drilled holes of the set of the bed post (G) by hand. Then attach the footboard panel (B) to the bed post with inserting JRN Nut (6) from the back of footboard panel & screwing JCBC (1) by using Allen Key (5).

1	JCBC		M6x80	4 Pcs
5	Allen Key		M4	1 Pc
4	Wood Dowel		M8x40	10 Pcs
6	JRN Nut		M6 10x13	4 Pcs

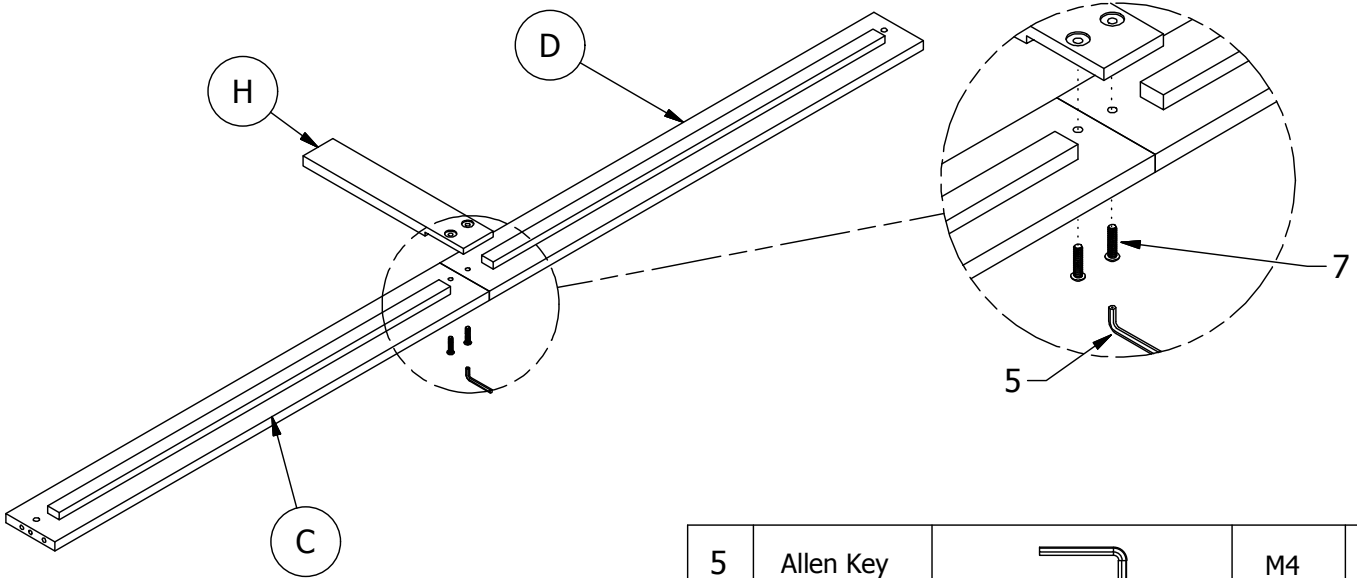
## ASSEMBLY INSTRUCTIONS

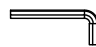

Item No : W1596102250/ W1596102250/ W1596102005 & W1596102251

Description : FULL/ QUEEN & KING BED

Thank you for purchasing this quality product. Be sure to check all packing material carefully for small part that may have come loose inside the carton during shipment.

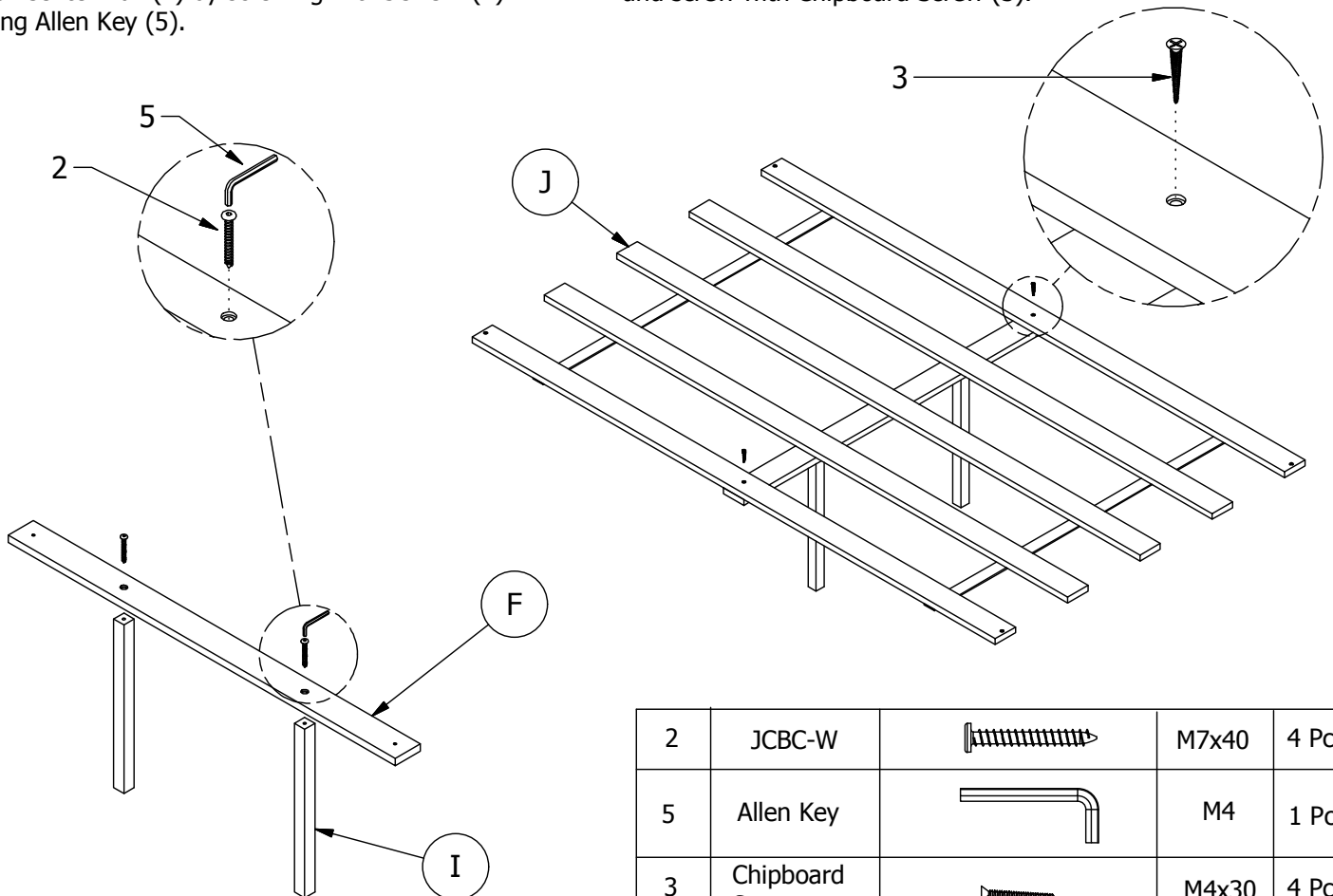
Step 3: Align the Side Rail (C & D) and screw with Leg Support (H) with JCBC Screw (7) by using Allen Key (5).

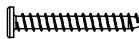




5	Allen Key		M4	1 Pc
7	JCBC		M6X30	4 Pcs

Step 4: Take the Slat Support Leg (I) to attach with Center Rail (F) by screwing with JCBCW (2) using Allen Key (5).

Next lay the Slat Base (J) on the floor (recommended for ease) and screw with Chipboard Screw (3).



2	JCBC-W		M7x40	4 Pcs
5	Allen Key		M4	1 Pc
3	Chipboard Screw		M4x30	4 Pcs

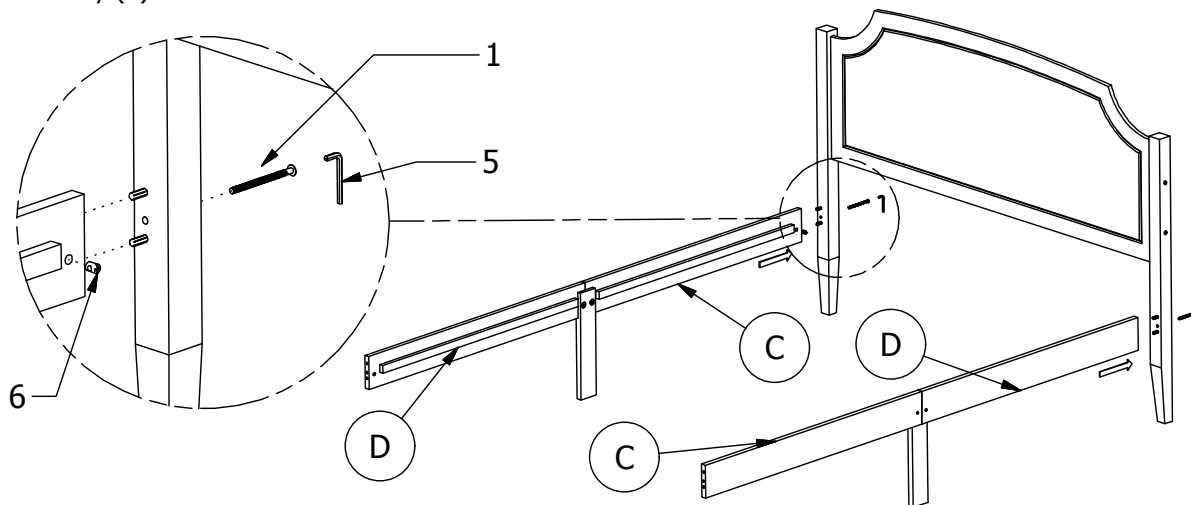
## ASSEMBLY INSTRUCTIONS




Item No : W1596102250/ W1596102250/ W1596102005 & W1596102251

Description : FULL/ QUEEN & KING BED

Thank you for purchasing this quality product. Be sure to check all packing material carefully for small part that may have come loose inside the carton during shipment.

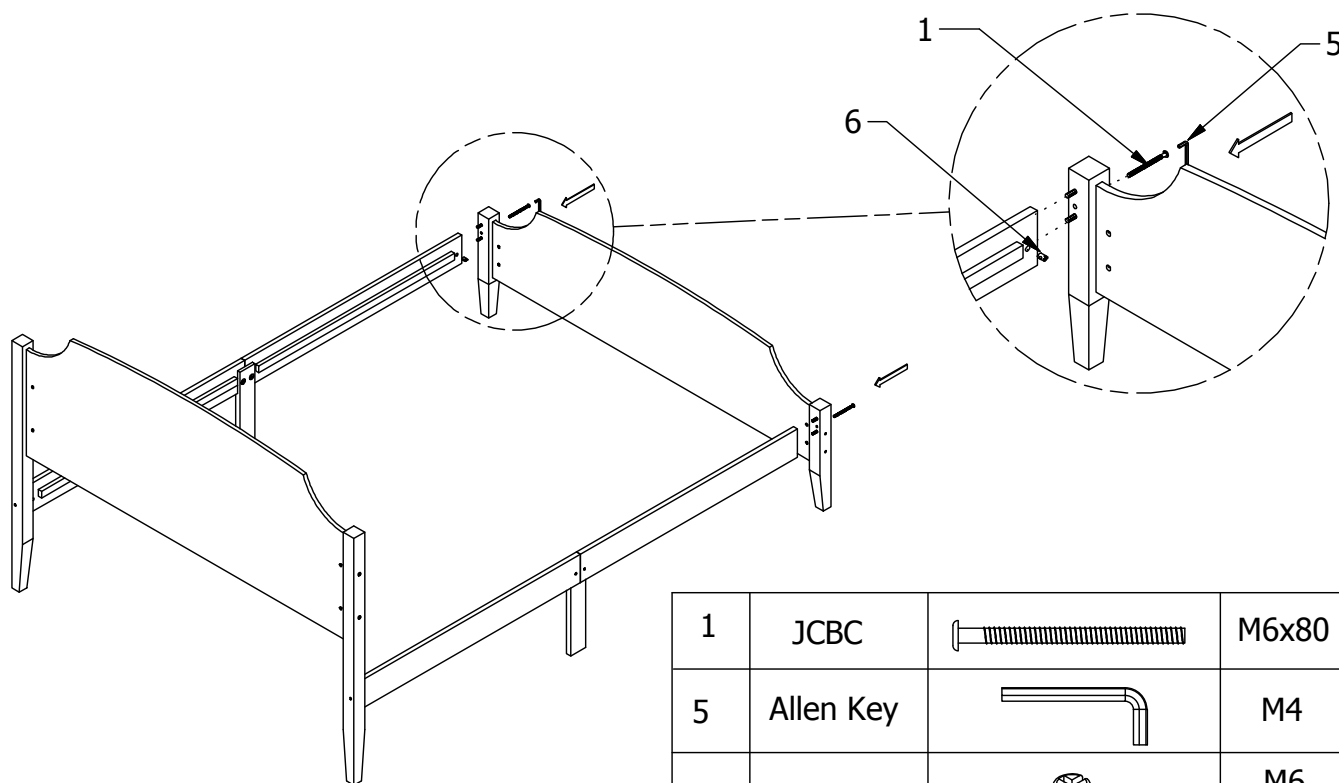
Step 5: Take Side Rail (C & D) to push into the pre-attach Wood Dowel on the Headboard Posters (L / R). Then put in the JRN Nut (6) to the pre-drilled holes of side rails and insert JCBC (1) from the back of posters, tighten- screw from the back by using Allen Key (5).


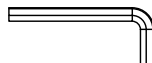



1	JCBC		M6x80	2 Pcs
5	Allen Key		M4	1 Pc
6	JRN Nut		M6 10x13	2 Pcs

\*\*\* JRN Nut (6) + cross surface is the outward

Step 6: Take Side Rail (C & D) to push into the pre-attach Wood Dowel on the Footboard Posters (L / R). Then put in the JRN Nut (6) on the pre-drilled hole side rails and insert JCBC (1) from the front of posters, tighten- screw from the front of footboard posters by using the Allen Key (5).



1	JCBC		M6x80	2 Pcs
5	Allen Key		M4	1 Pc
6	JRN Nut		M6 10x13	2 Pcs

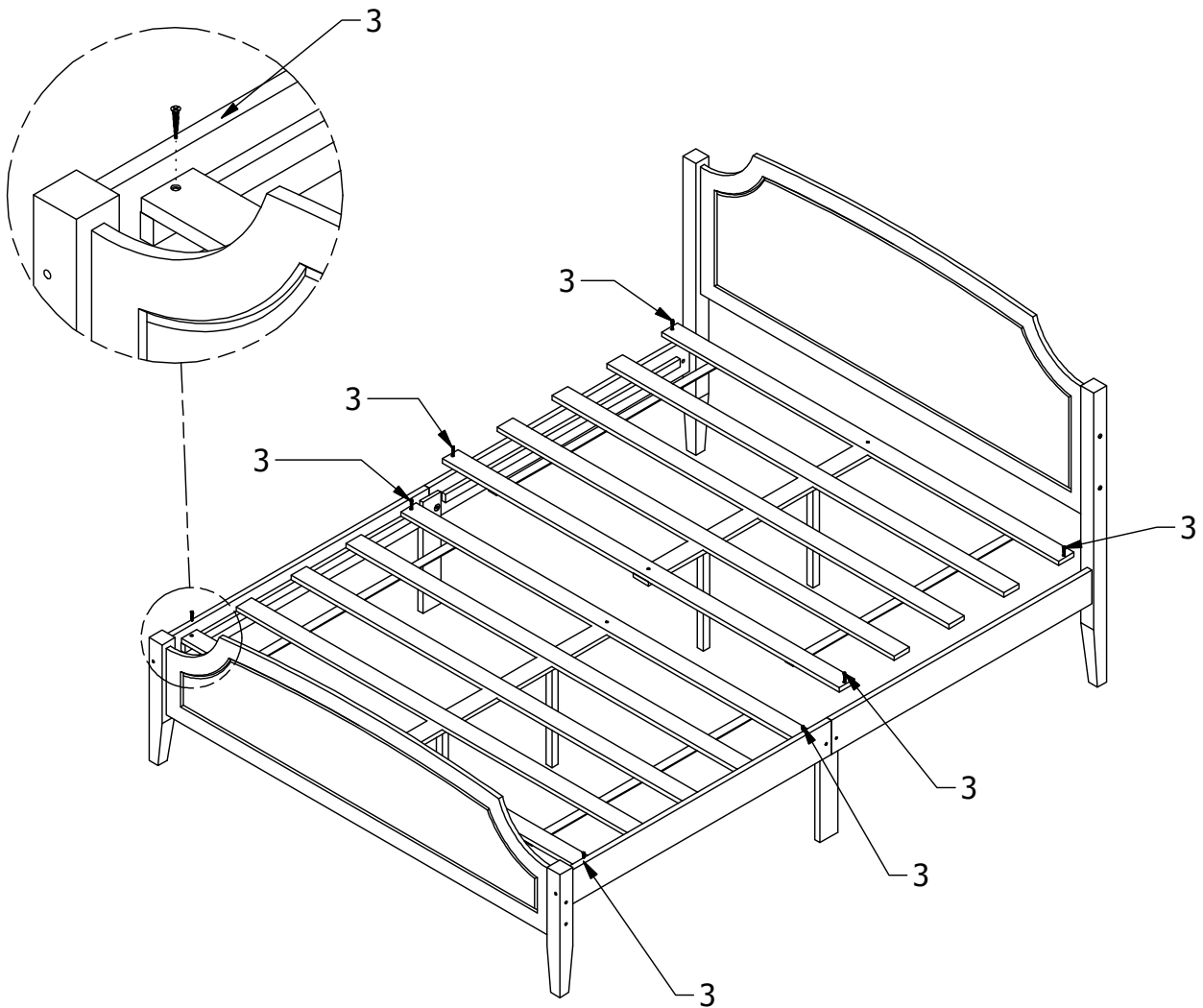
# ASSEMBLY INSTRUCTIONS


Item No : W1596102250/ W1596102250/ W1596102005 & W1596102251

Description : FULL/ QUEEN & KING BED

Thank you for purchasing this quality product. Be sure to check all packing material carefully for small part that may have come loose inside the carton during shipment.

Finally neatly lay the set Slat Base (J) on the bed frame side rails which already assembled, and tighten them with using Chipboard Screw (3).



3	Chipboard Screw		M4x30	8 Pcs
---	-----------------	---	-------	-------