

ASSEMBLY INSTRUCTIONS

Item No : W1596102259

Description : DRESSER

Thank you for purchasing this quality product. Be sure to check all packing material carefully for small part that may have come loose inside the carton during shipment.



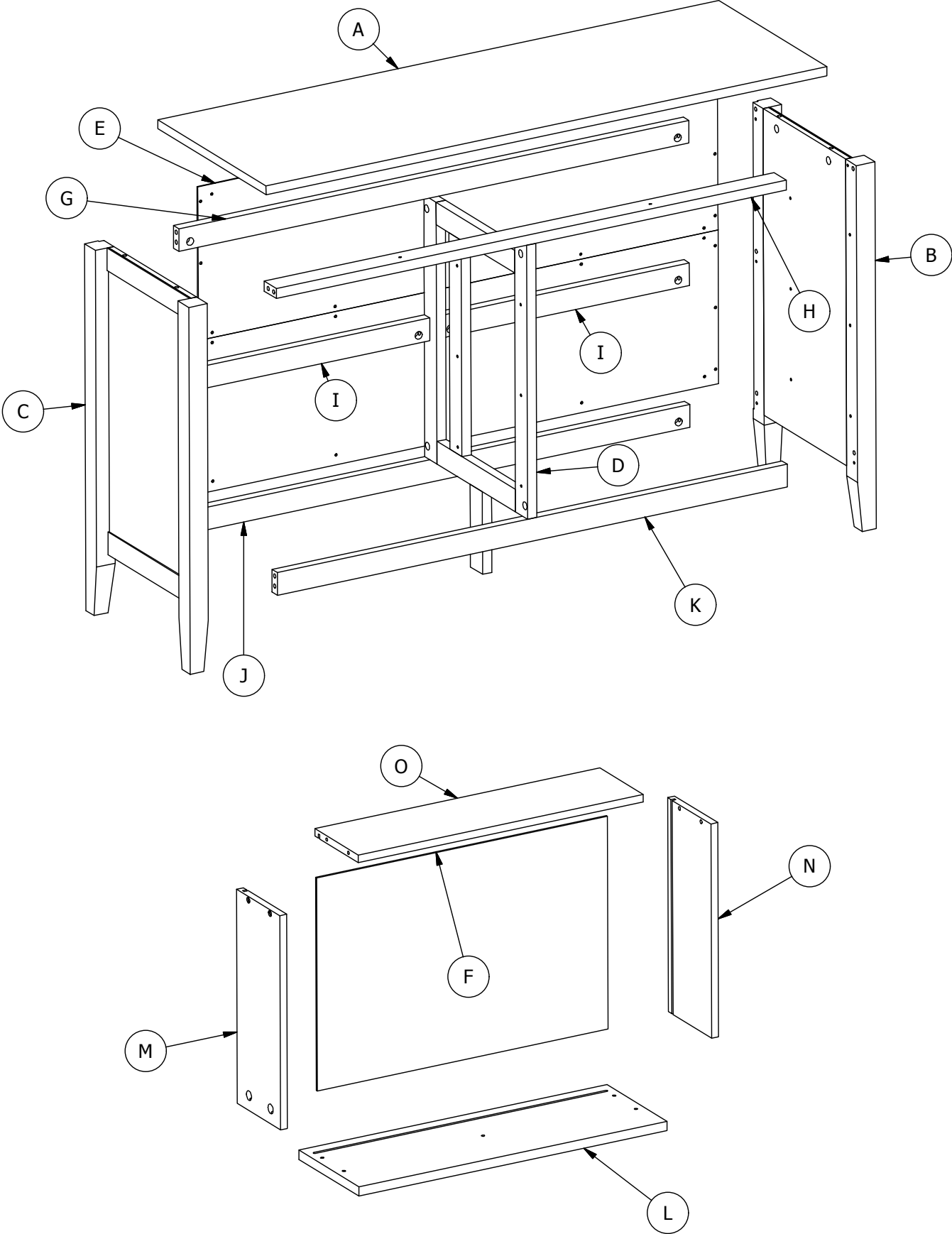
**W1596102259**

ASSEMBLY INSTRUCTIONS

Item No : W1596102259

Description : DRESSER

Thank you for purchasing this quality product. Be sure to check all packing material carefully for small part that may have come loose inside the carton during shipment.

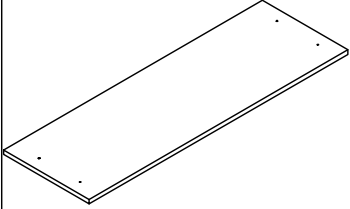
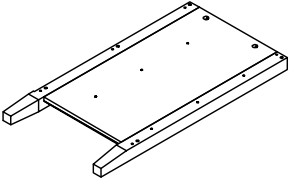
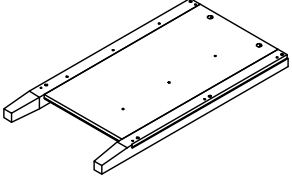
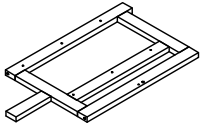
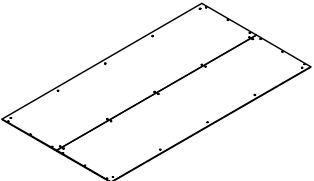
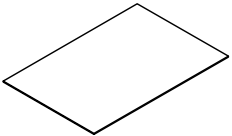


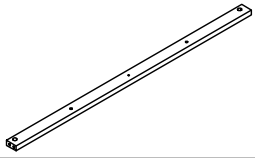
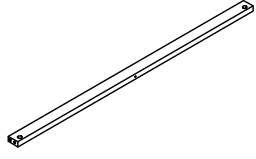
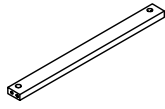
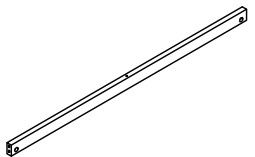
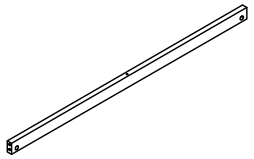
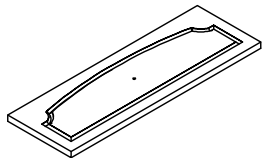
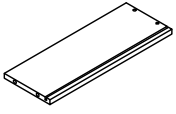
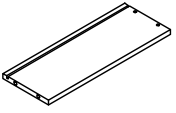
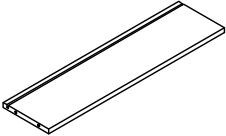
# ASSEMBLY INSTRUCTIONS

Item No :W1596102259

Description : DRESSER

Thank you for purchasing this quality product. Be sure to check all packing material carefully for small part that may have come loose inside the carton during shipment.

PART LIST:			
No.	Description	Sketch	Quantity
A	Table Top		1 Pc
B	Cabinet Right Panel		1 Pc
C	Cabinet Left Panel		1 Pc
D	Cabinet Center Divider		1 Pc
E	Cabinet Back Panel		2 Pcs
F	Drawer Bottom Board		6 Pcs

PART LIST:			
No.	Description	Sketch	Quantity
G	Drawer Top Inner Bone Support		1 Pc
H	Drawer Top Outward Bone Support		1 Pc
I	Bottom Support Bone		2 Pcs
J	Drawer Bottom Support (Back)		1 Pc
K	Drawer Bottom Support (Front)		1 Pc
L	Drawer Front Panel		6 Pcs
M	Drawer Left Panel		6 Pcs
N	Drawer Right Panel		6 Pcs
O	Drawer Back Panel		6 Pcs

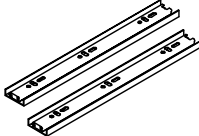


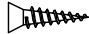




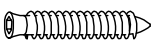
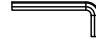

## ASSEMBLY INSTRUCTIONS

Item No : W1596102259

Description : DRESSER

Thank you for purchasing this quality product. Be sure to check all packing material carefully for small part that may have come loose inside the carton during shipment.

### HARDWARE:

No.	Description	Sketch	Size	Quantity	No.	Description	Sketch	Size	Quantity
1	Drawer Runner Slide		Standard	6 Sets	7	Wooden Handle			6 Pcs
2	Chipboard Screw		4x30	2 Pcs	8	Chipboard Screw		M3.5x12	48 Pcs
3	Dowel		24x8.5	44 Pcs	9	Handle Screw		M4x22	6 Pcs
4	Ultra Shallow Cam		15x9.5	44 Pcs	10	Panel screws (Black)		M3.5x12	32 Pcs
5	CSK Cap wood screw		M6x40	24 Pcs	11	Allen Key		M4	1 Pc
6	Wood Dowel		8x30	12 Pcs					

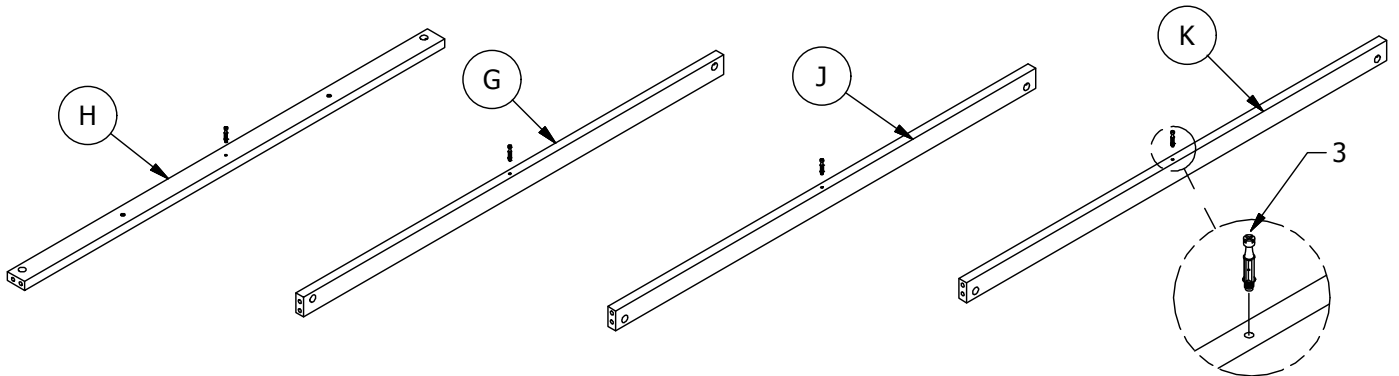
# ASSEMBLY INSTRUCTIONS


Item No : W1596102259

Description : DRESSER

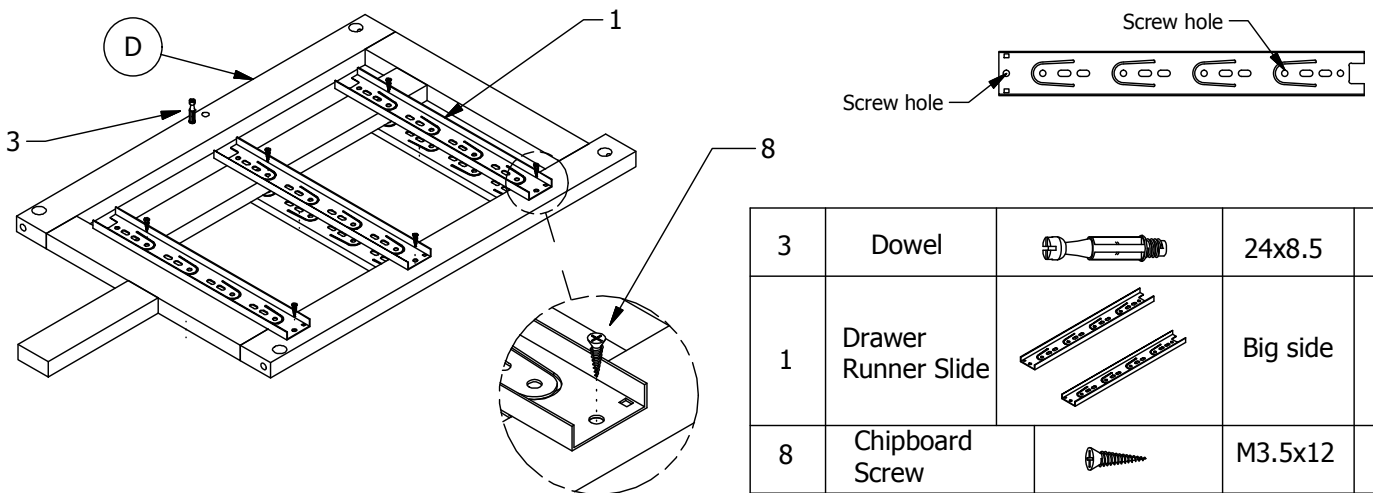
Thank you for purchasing this quality product. Be sure to check all packing material carefully for small part that may have come loose inside the carton during shipment.


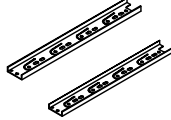

Step 1: Set up the Drawer Bone Structure - -insert Dowel (3) in the pre-drilled hole on Drawer Bone Support (G, H, J, K).



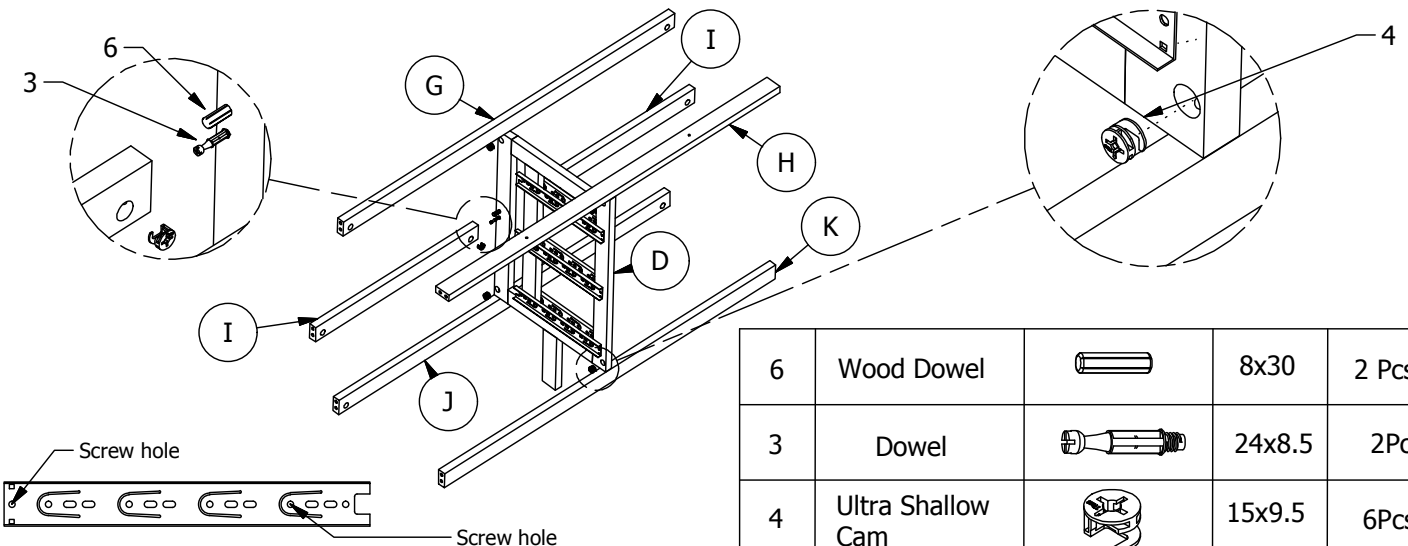
3	Dowel		24x8.5	4Pcs
---	-------	---	--------	------




Step 2: Attach the Drawer Runner Slide (1) to the Cabinet Center Divider (D) as shown in below image and screw the attachment with Chipboard Screw (8). Please refer screw's hole position as shown.



3	Dowel		24x8.5	2Pcs
1	Drawer Runner Slide		Big side	3 Sets
8	Chipboard Screw		M3.5x12	12 Pcs

Step 3: Bring the Bone Supports insert-attach to the Cabinet Center Divider, next Insert Ultra Shallow Cam (4) to the holes on the divider board body, tighten up with screwdriver. Repeat the same step with Bone Supports (I).



6	Wood Dowel		8x30	2 Pcs
3	Dowel		24x8.5	2Pcs
4	Ultra Shallow Cam		15x9.5	6Pcs

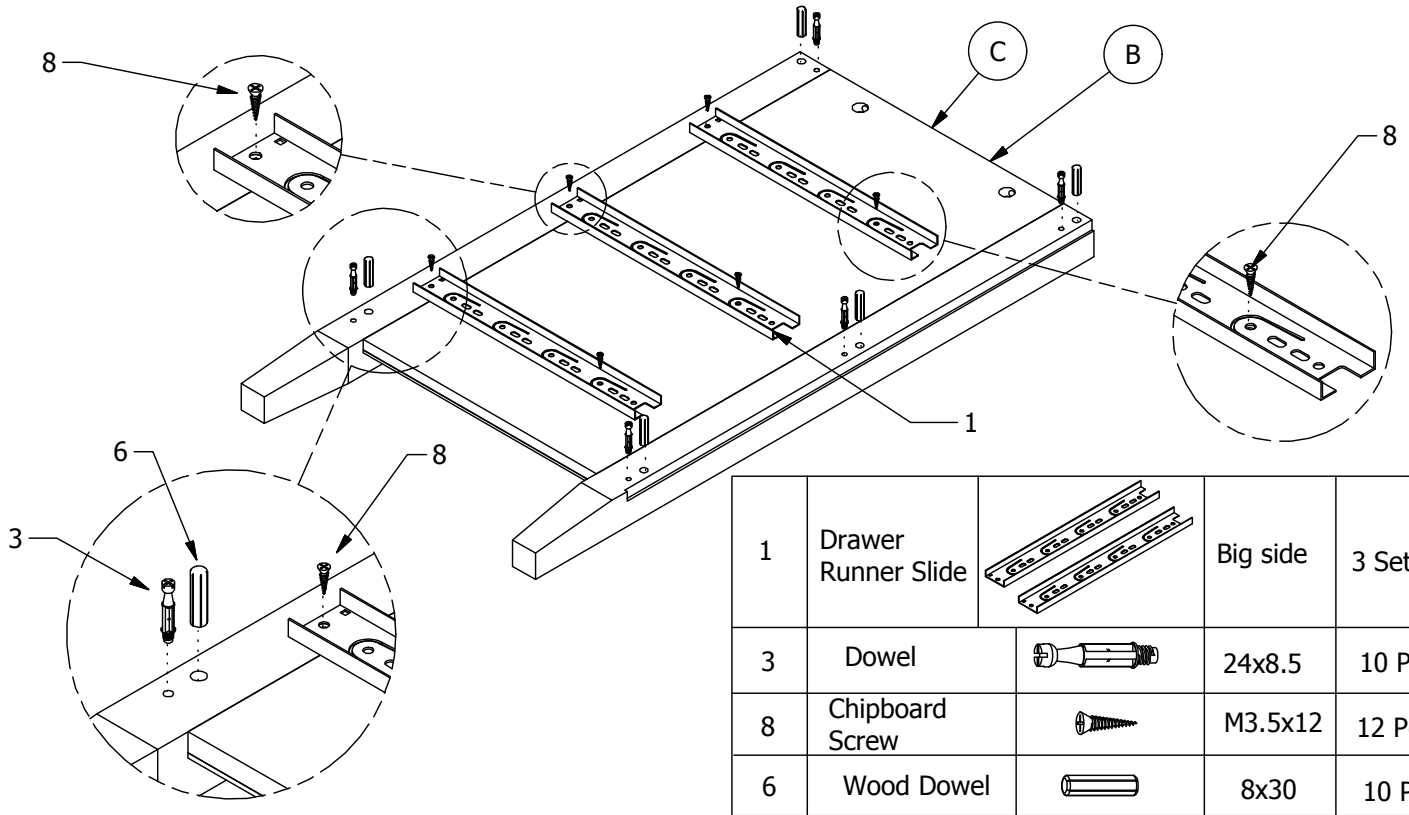
# ASSEMBLY INSTRUCTIONS

Item No : W1596102259

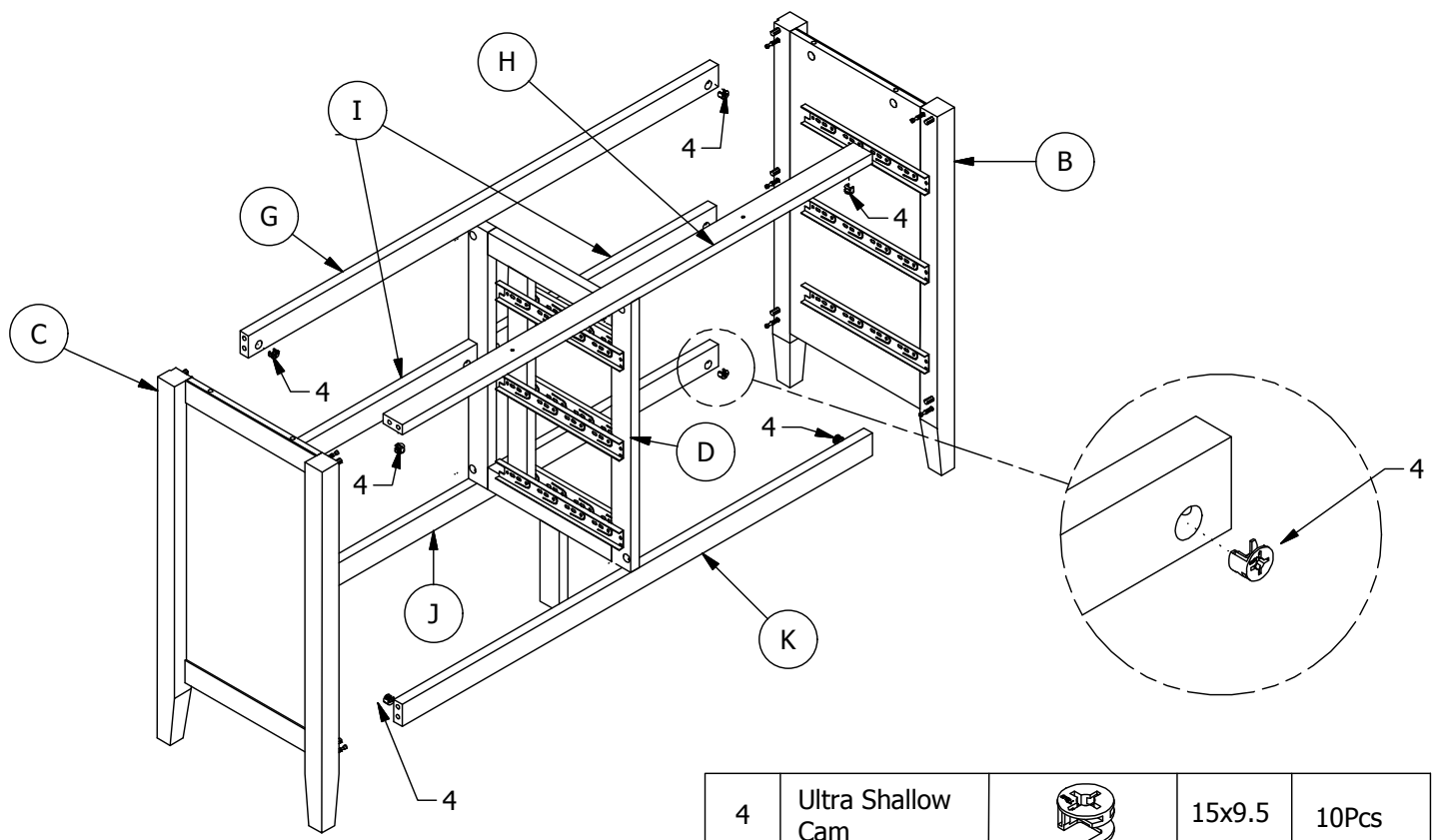
Description : DRESSER

Thank you for purchasing this quality product. Be sure to check all packing material carefully for small part that may have come loose inside the carton during shipment.

Step 4: Prepare the Cabinet Right & Left Panel (B & C) then assemble the Drawer Runner Slide (1) on the pre-drilled holes with Chipboard Screw (8). Then insert the Dowel (3) & Wood Dowel (6) on the sides of the legs as shown below.



Step 5: Bring the assembled sides body panel and attach together to the the Cabinet Center Divider + Bone supports, push in tight. Next, insert the Ultra Shallow Cam (4) and screw-in using your screwdriver.



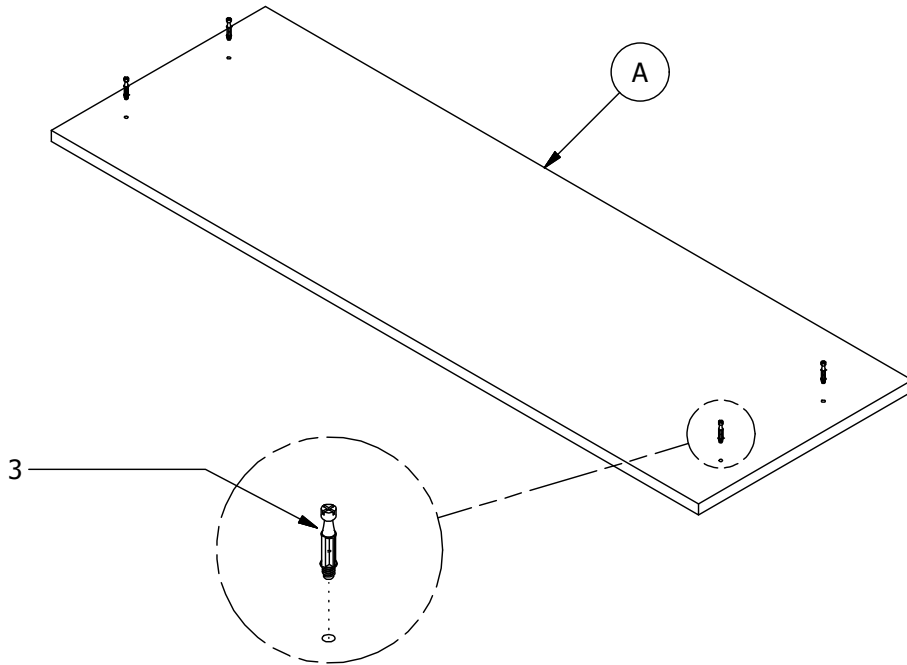
# ASSEMBLY INSTRUCTIONS


Item No : W1596102259

Description : DRESSER

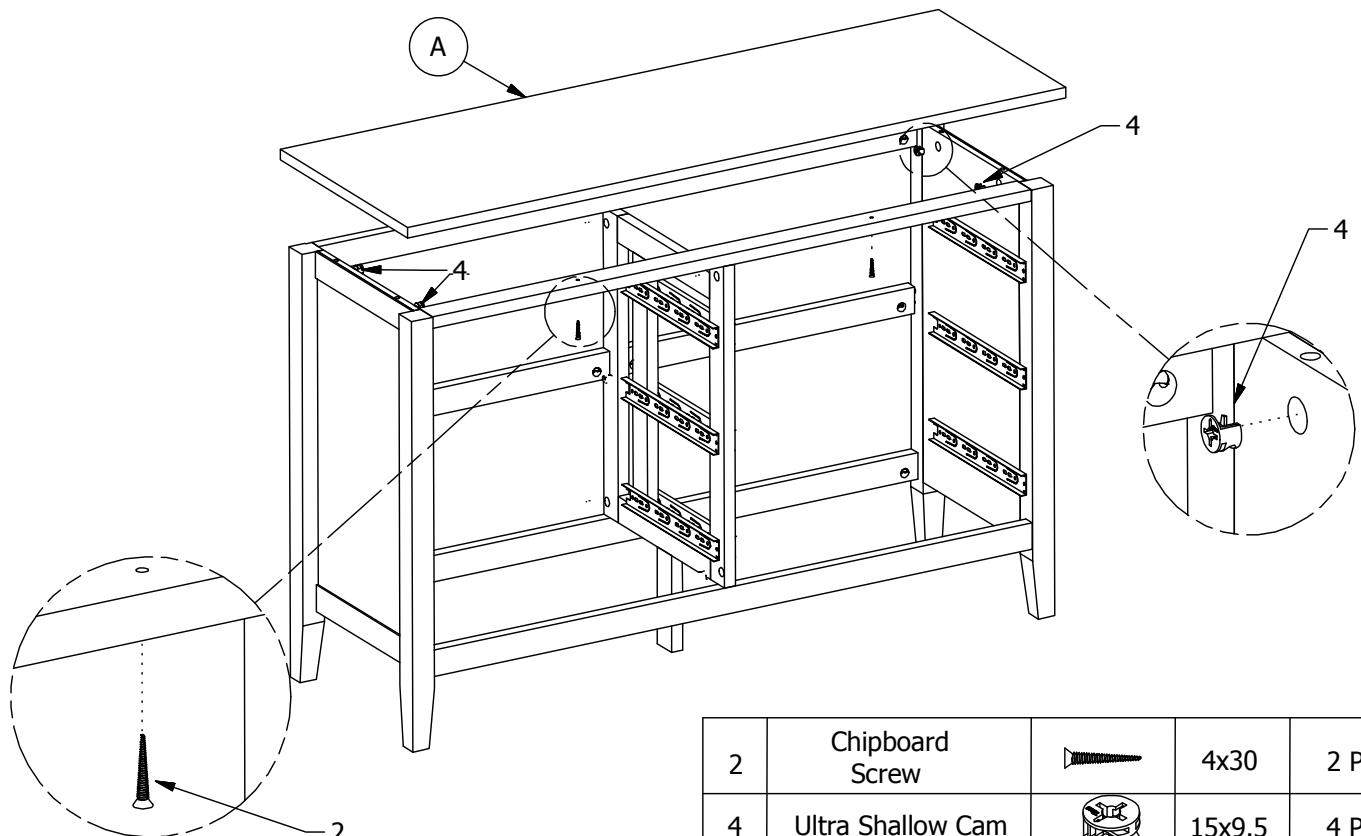
Thank you for purchasing this quality product. Be sure to check all packing material carefully for small part that may have come loose inside the carton during shipment.



Step 6: For Table Top (A), Insert the Dowel (3) onto the pre-drilled holes on its bottom part.



3	Dowel		24x8.5	4 Pcs
---	-------	---	--------	-------

Step 7: Now cabinet structure is ready, flip the Table Top (A) to cover on top of the cabinet. Then tighten the attachment with Ultra Shallow Cam (4) with Dowel pre-installed in previous step 3. Next secure the top structure with the Chipboard Screw (2). You would need to ready a screwdriver to perform this step.



2	Chipboard Screw		4x30	2 Pcs
4	Ultra Shallow Cam		15x9.5	4 Pcs

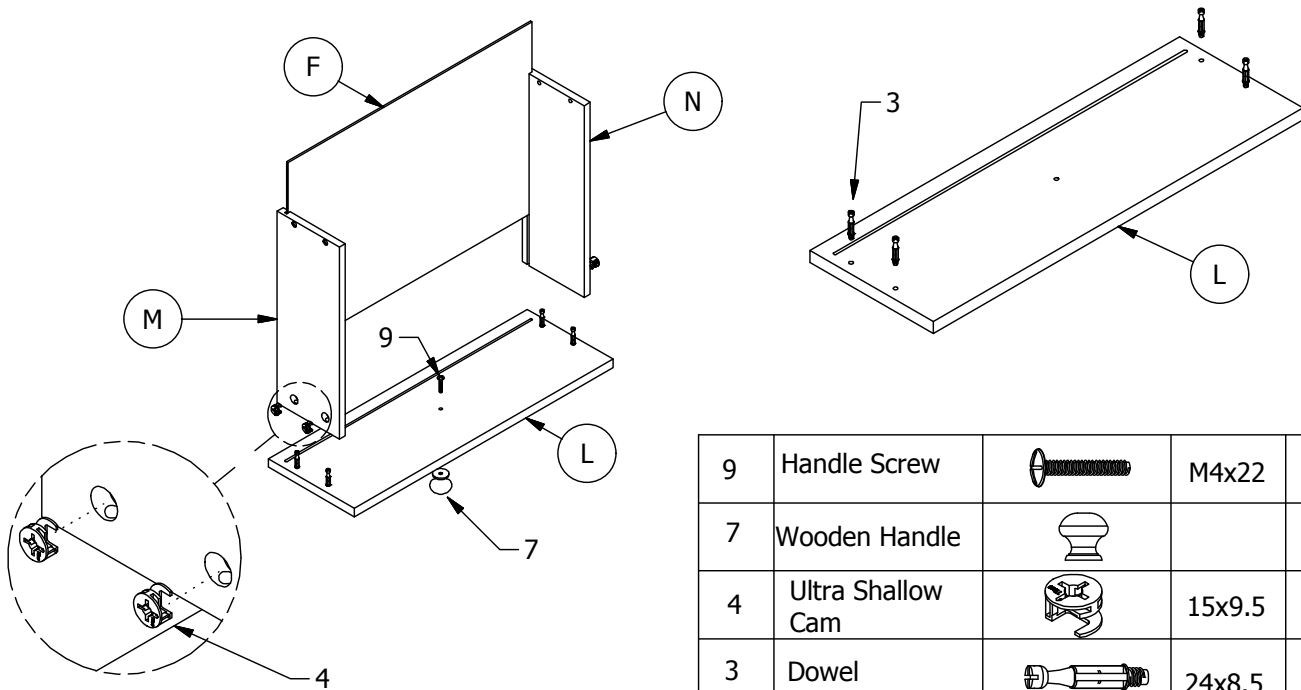
# ASSEMBLY INSTRUCTIONS





Item No : W1596102259

Description : DRESSER

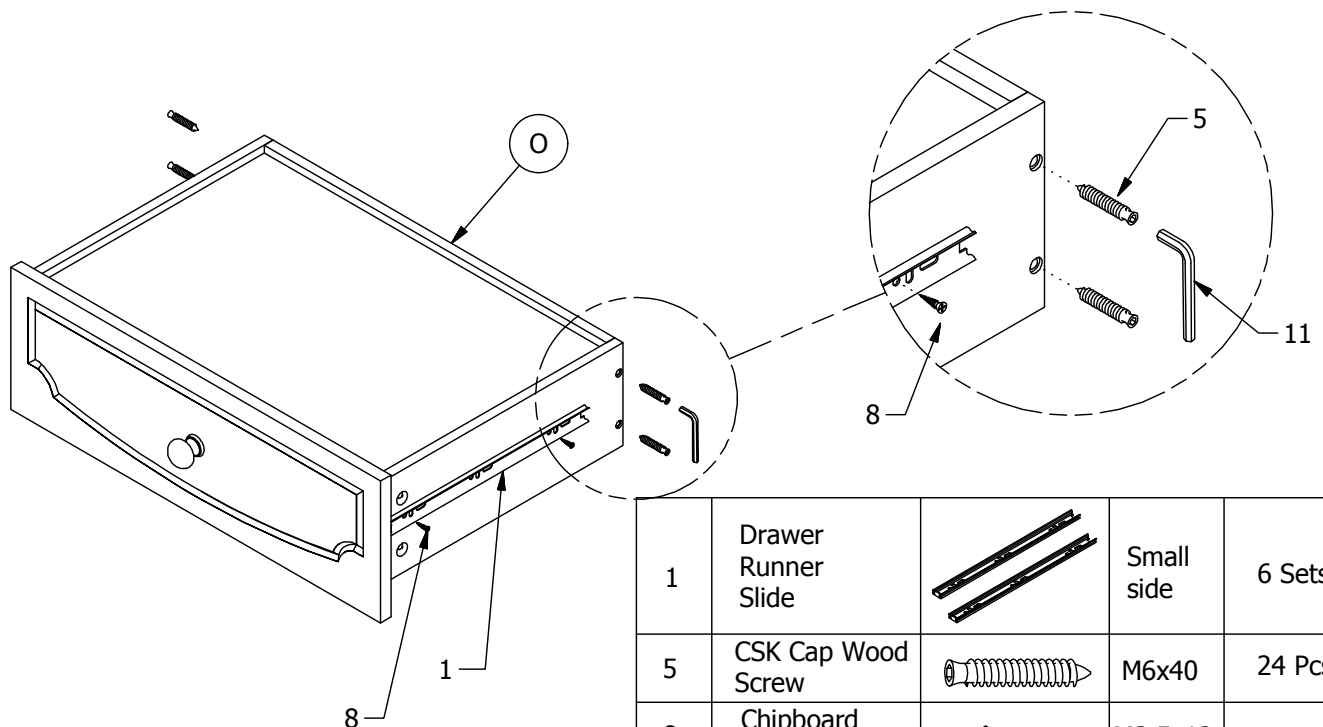
Thank you for purchasing this quality product. Be sure to check all packing material carefully for small part that may have come loose inside the carton during shipment.


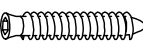


Step 8: Lay the Drawer Front Panel (L) on even-layered flat surface, put in the Dowel (3) on each side and take the Drawer Panel (M & N) insert into the Front Drawer Panel, tighten the part with Ultra Shallow Cam (4). Next, slide in the Drawer Bottom Board (F) finish up with screwing the Wooden Handle (7) with using Handle Screw (9).



9	Handle Screw		M4x22	6 Pcs
7	Wooden Handle			6 Pcs
4	Ultra Shallow Cam		15x9.5	24 Pcs
3	Dowel		24x8.5	24 Pcs

Step 9: Setting up the Drawer with its Drawer Back Panel (O) with CSK Cap Screw (5) with the help of Allen Key (11). Assemble the Drawer Runner Slide (1) to the Drawer Panel (M & N) by using Chipboard Screw (8).



1	Drawer Runner Slide		Small side	6 Sets
5	CSK Cap Wood Screw		M6x40	24 Pcs
8	Chipboard Screw		M3.5x12	24 Pcs
11	Allen Key		M4	1Pc



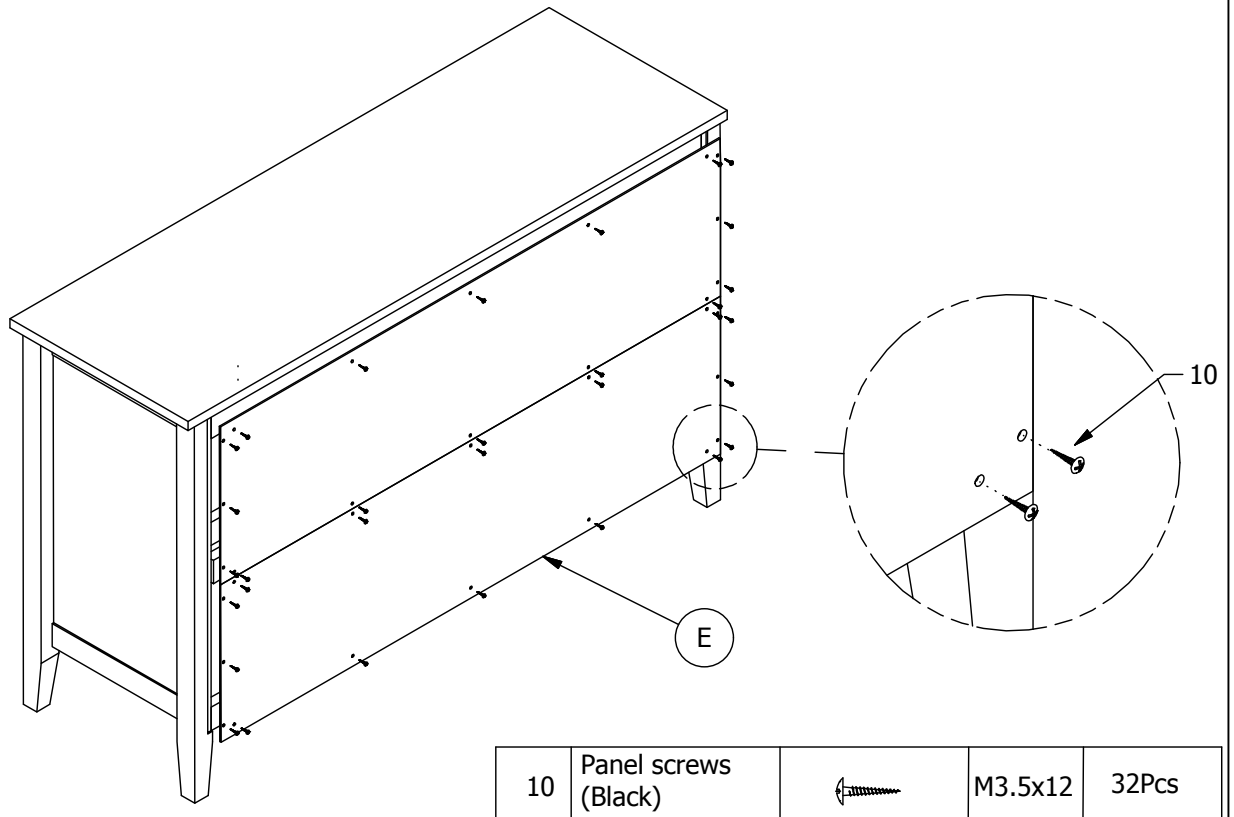
# ASSEMBLY INSTRUCTIONS

Item No : W1596102259

Description : DRESSER

Thank you for purchasing this quality product. Be sure to check all packing material carefully for small part that may have come loose inside the carton during shipment.

Step 10: Cover up the back of cabinet with Cabinet Back Panel (E) by using Panel Screws (Black) (10).



Finally, Glide in the drawers assembled, make sure it is glide into the runner and not sitting on top of the runner.

