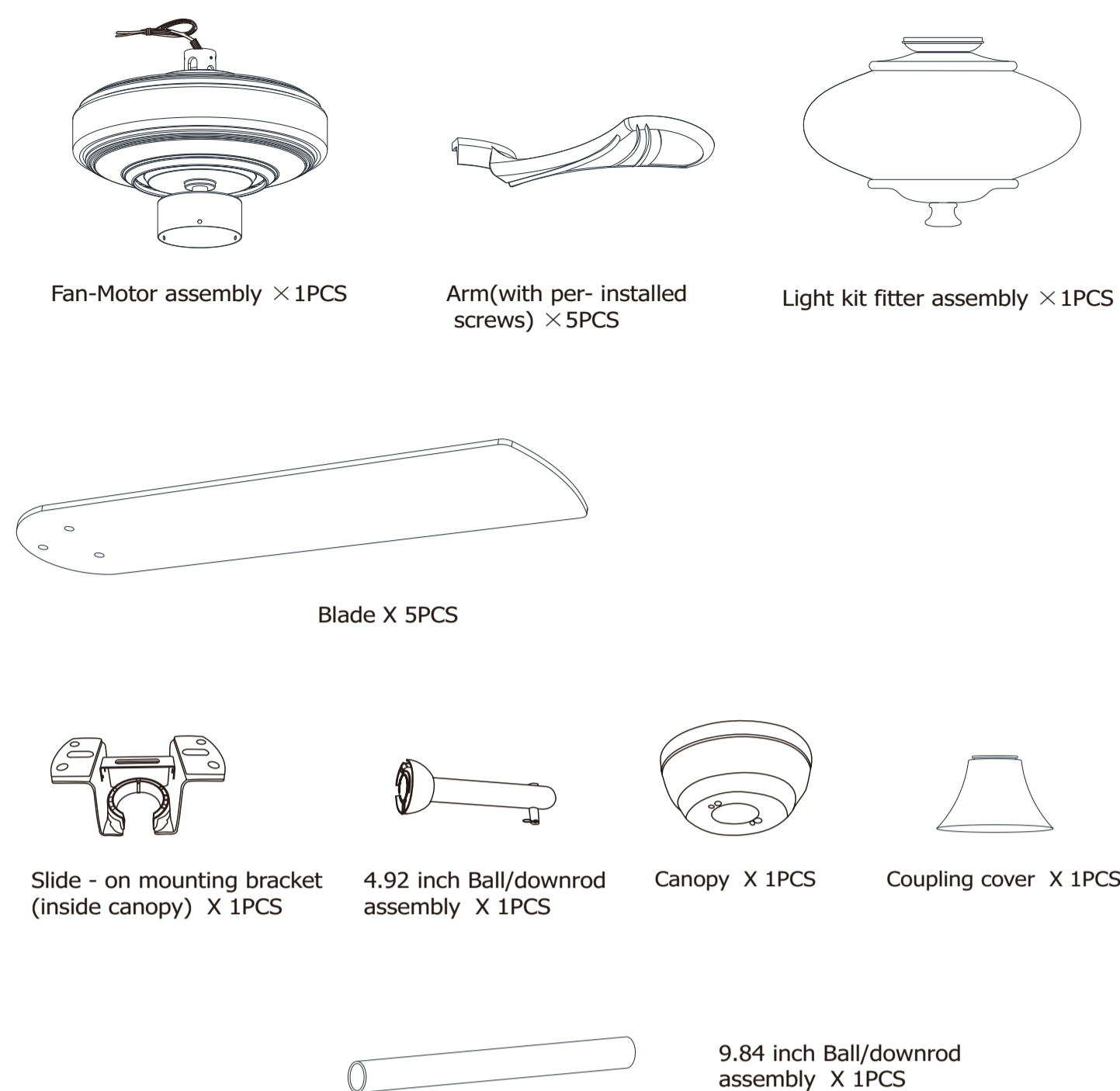
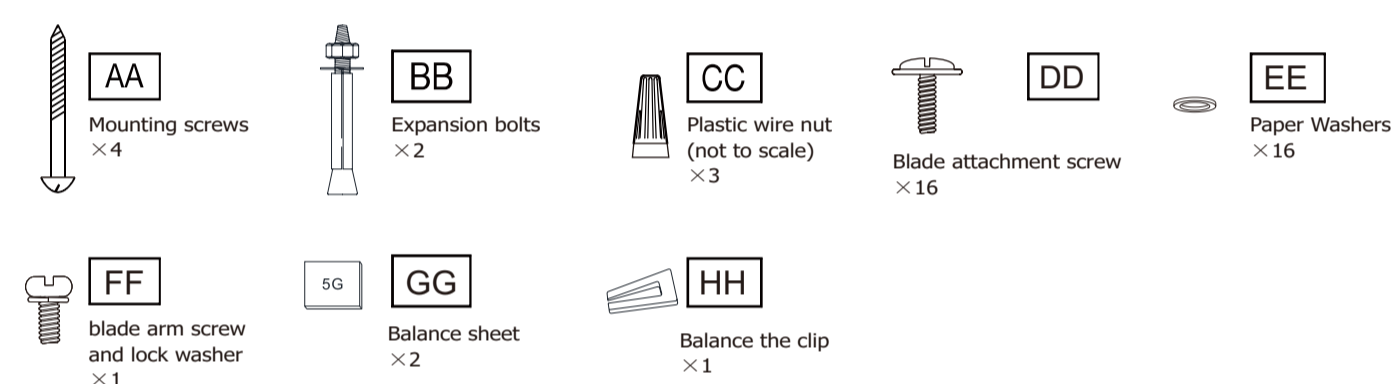


**52-INCH DEROCATE CEILING FAN  
USE AND CARE GUIDE**

**Pre-Installation**

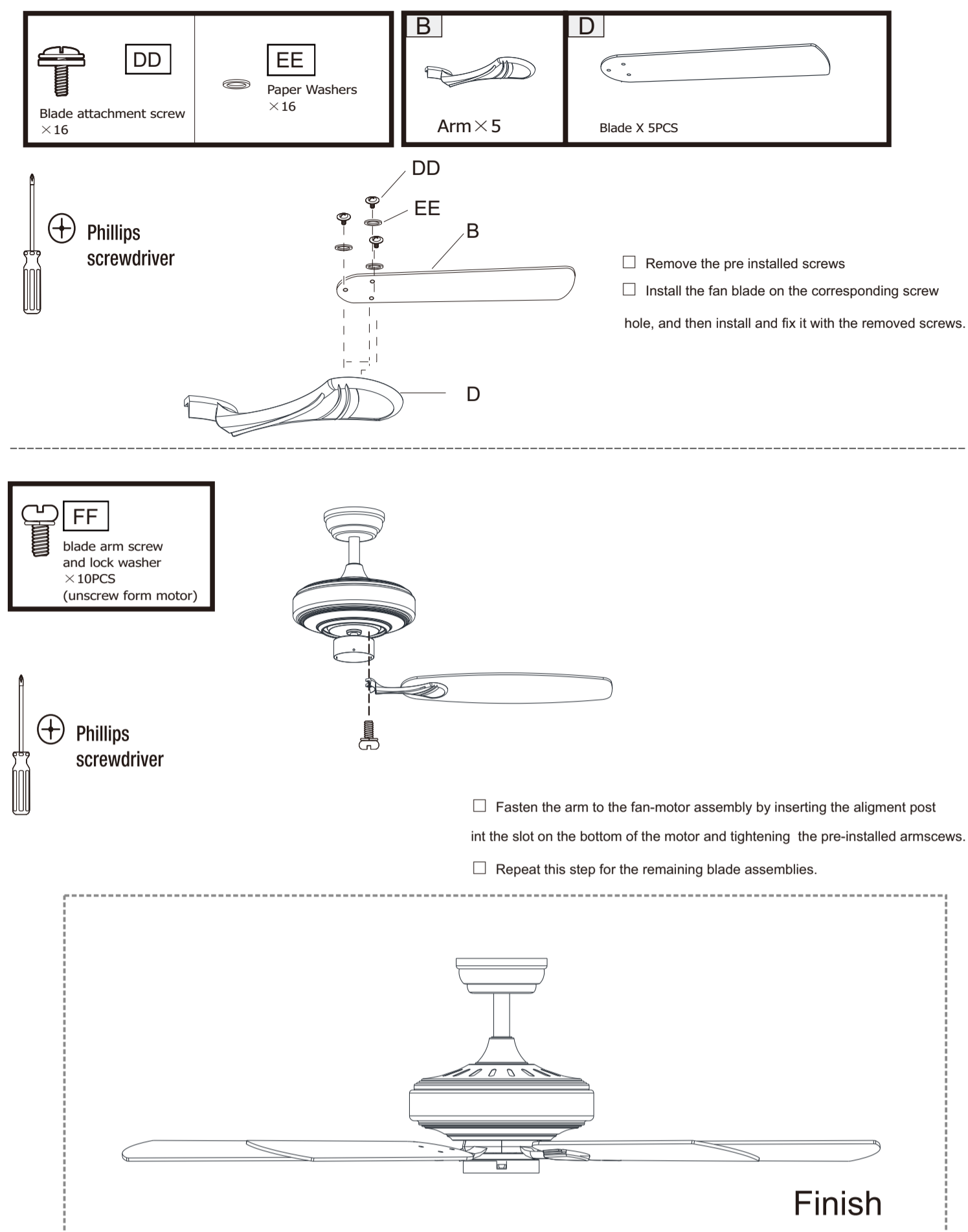


**Parts Kit**

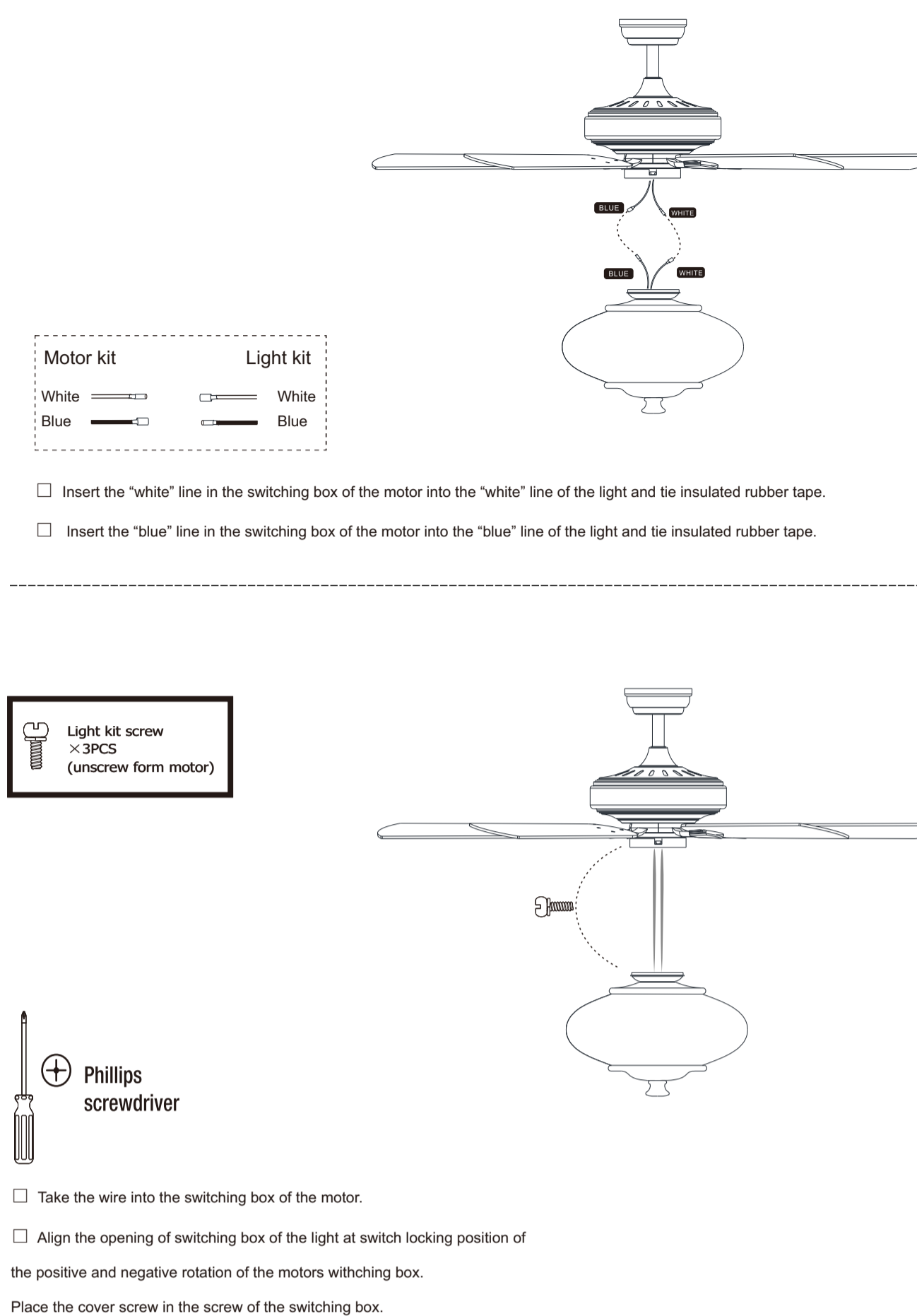


**NOTE** Hardware not shown to actual size.

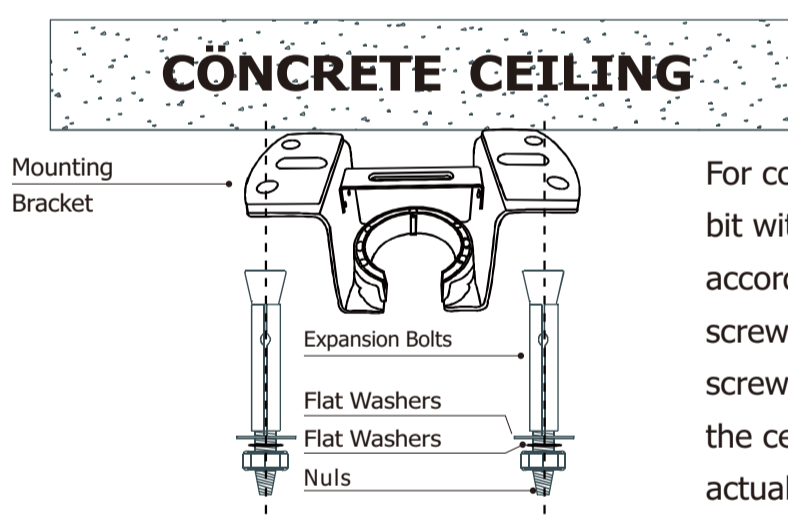
**Fastening the blade arms to the motor**



**Assembly-Attaching the Lights**



**Installation of the hanging bracket**

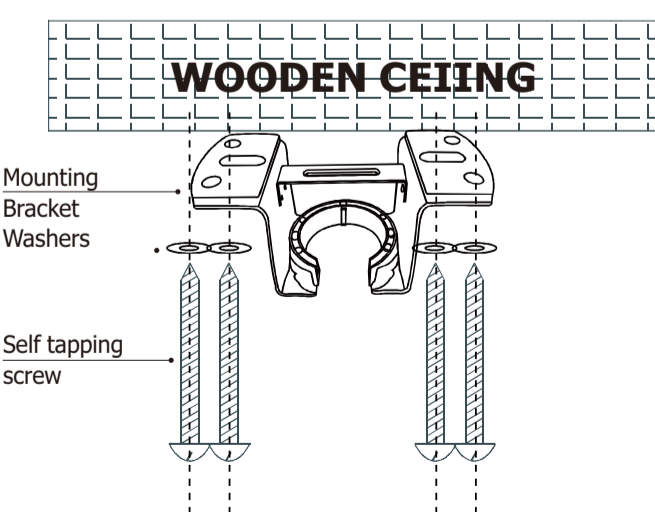


For concrete ceiling, use the percussion bit with diameter 8mm to drill holes according to the length of expansion screws. Then use the attached expansion screws to fix the hanging bracket onto the ceiling (selection is made according to actual requirements of the customers).

**STEP 1 A-CONCRETE CEILING**

SWITCH OFF THE ELECTRICAL MAINS AT THE CIRCUIT BREAKER FUSE BOX.  
1) Use the Mounting Bracket as a guide, mark the spots where the 4 Expansion Bolts will be drilled.  
2) Remove the Mounting Bracket, drill 2 holes and insert 2 Expansion Bolts into the concrete ceiling, install the mounting bracket and secure with Flat Washers, Spring Washers and Nuts.

**IMPORTANT : SCREWS & NUTS MUST BE TIGHTENED TILL SNUG**

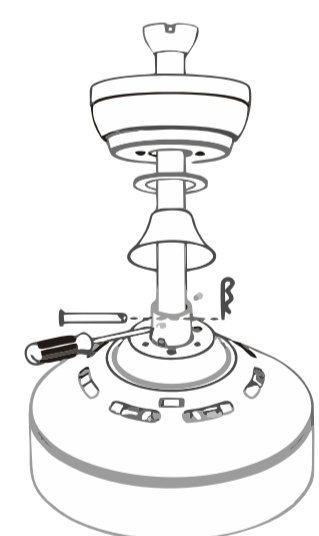


For wooden ceiling, use wood screw to drill on the wooden beam or the "junction box" to fix the hanging bracket(selection is made according to actual requirements of the customers)

**STEP 2 A-WOODEN CEILING**

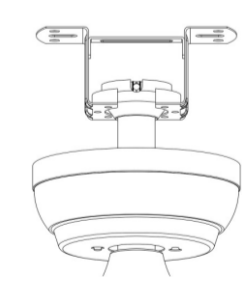
SWITCH OFF THE ELECTRICAL MAINS AT THE CIRCUIT BREAKER FUSE BOX.  
1) Use the Mounting Bracket as a guide, mark the spots where the 4 Self Tapping Screws will be drilled.  
2) Remove the Mounting Bracket, drill 4 holes for 3MM diameter, install the mounting bracket onto wooden ceiling with the 4Self Tapping Screws & Washers

**Install downrod assembly**



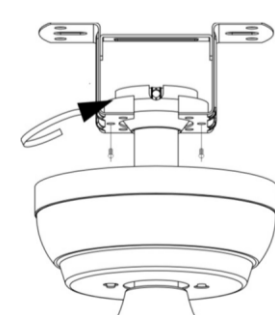
- Carefully feed the motor wires up through the downrod
- Align the holes and replace hanger pin and locking pin.
- Tighten the two collar setscrews.
- Slip coupling cover, canopy cover and canopy onto the downrod.

**Hang the fan**



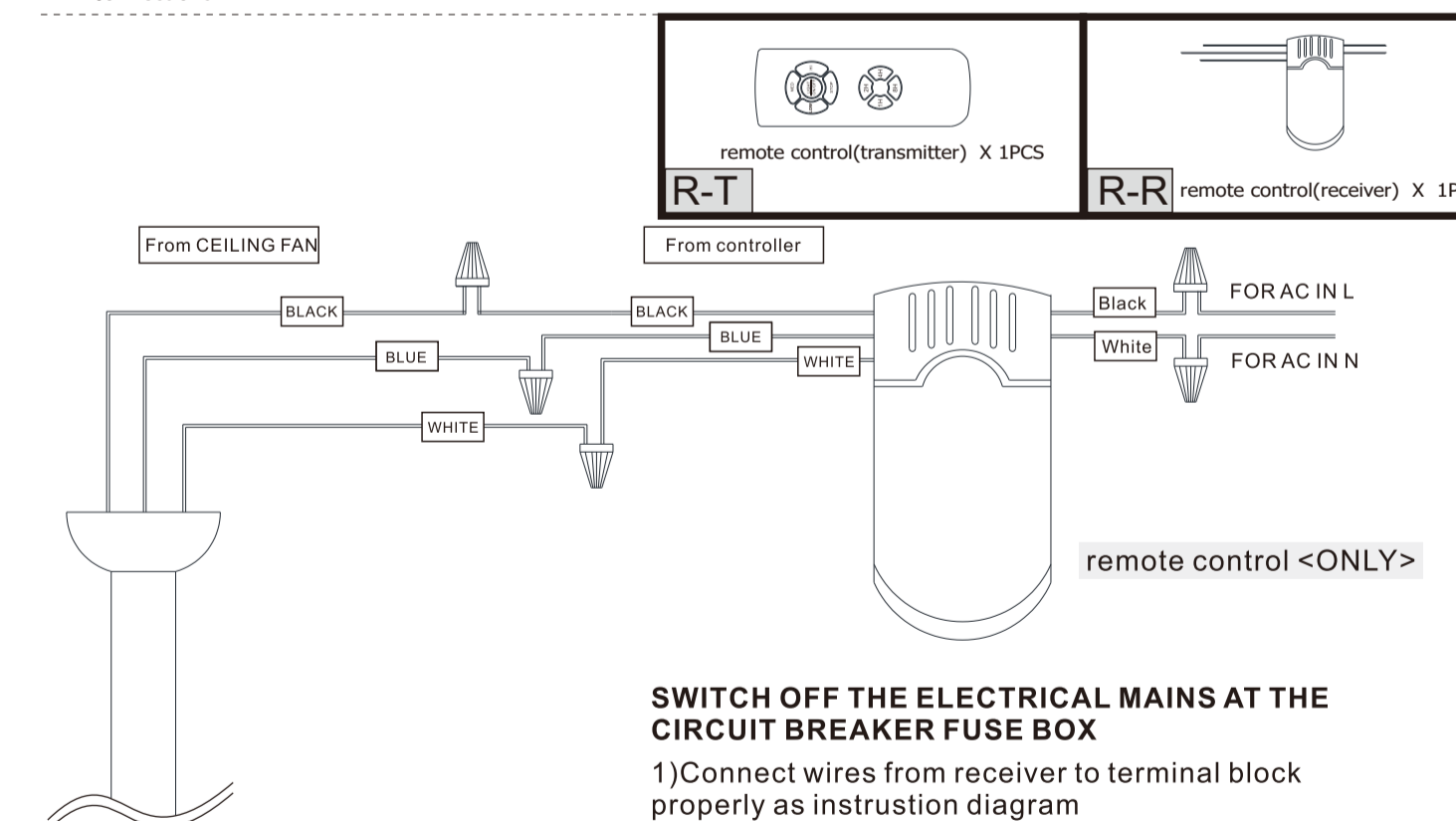
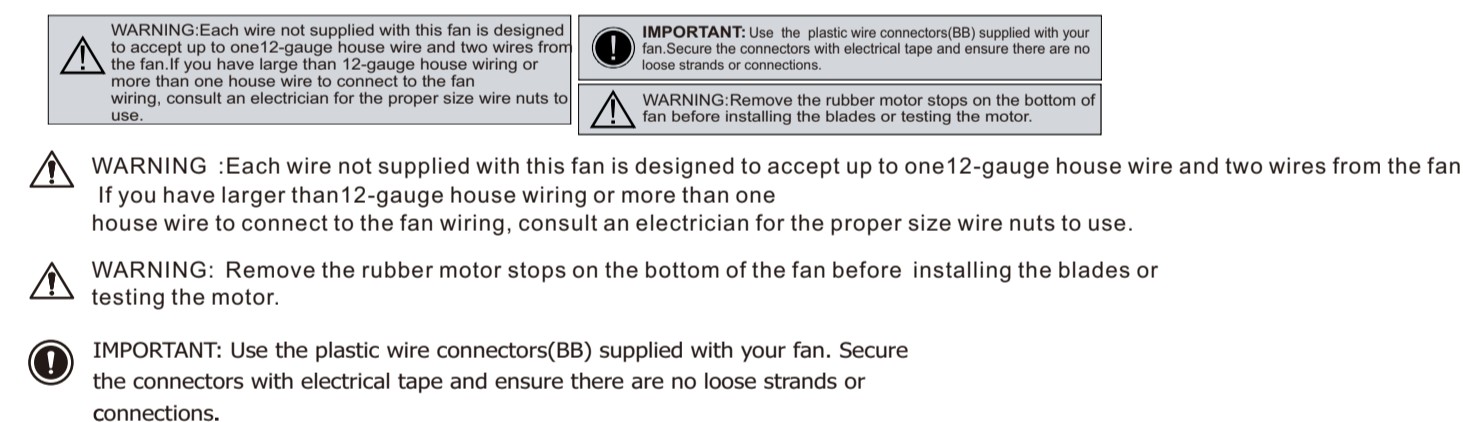
- Lift the fan motor assembly up to the mounting bracket and seat the hanger ball in the mounting bracket socket. Rotate the fan motor assembly until the check groove drops into the registration slot and seats firmly. The downrod should not rotate if this is done correctly

**Install canopy**



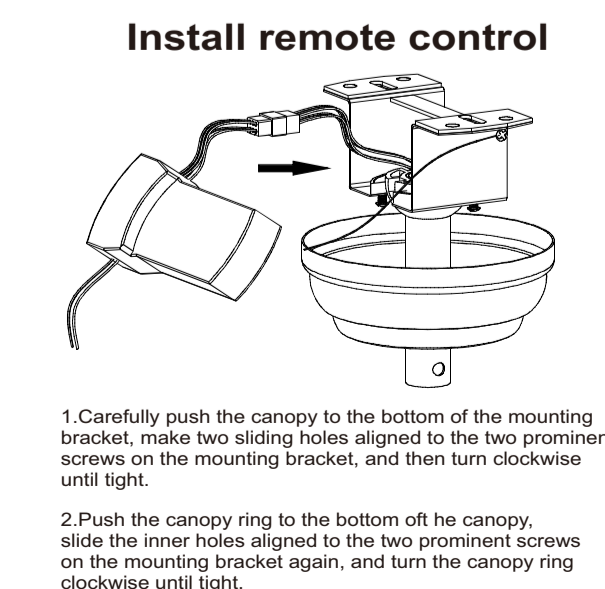
- Ensure the loosened screws is inserted into the key holes on the mounting bracket.
- Carefully raise the canopy up to the mounting bracket. Rotate the canopy clockwise.
- Secure the canopy by replacing the screws previously removed and tightening the screw previously loosened
- Place the canopy cover (if applicable) and rotate the canopy cover clockwise until it locks into position.

**Making the electrical connections**

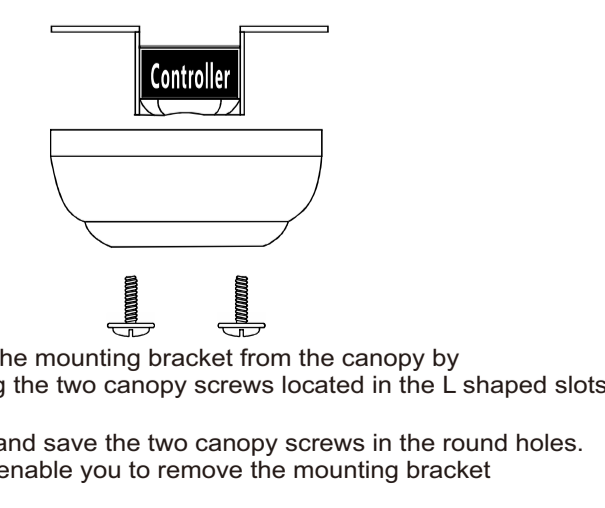


**Assembly - Hanging the Fan(continued)**

**Preparing for mounting**

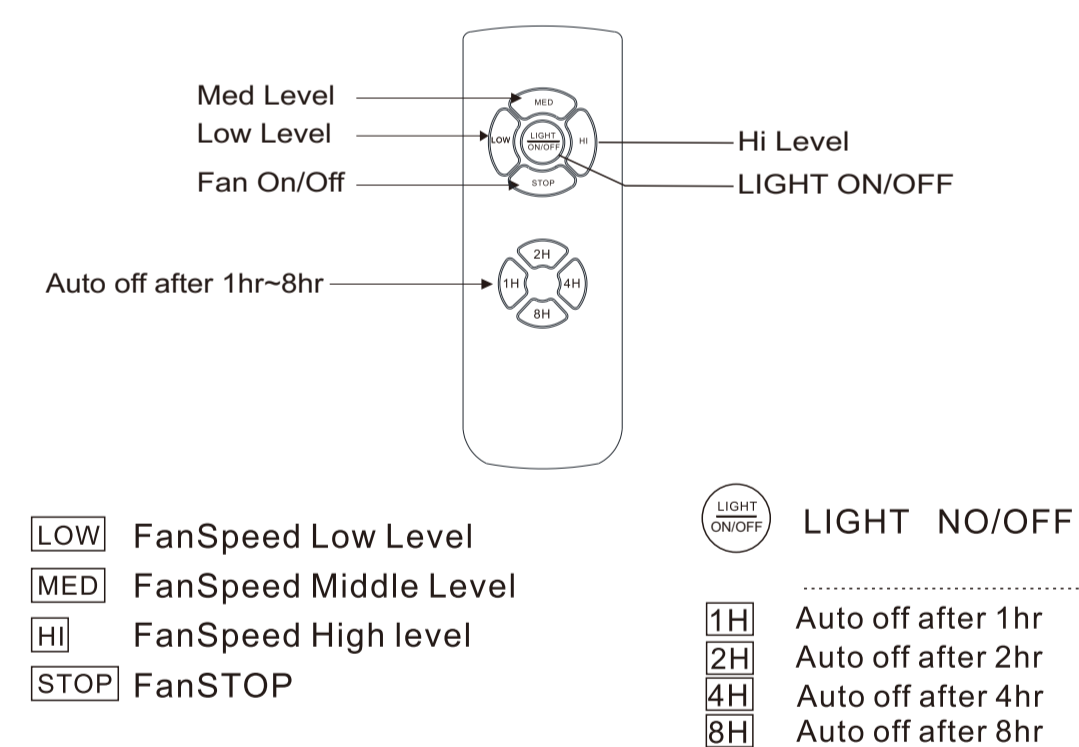


**Preparing for mounting**



1. Carefully push the canopy to the bottom of the mounting bracket, make two sliding holes aligned to the two prominent screws on the mounting bracket, and then turn clockwise until tight.
2. Push the canopy ring to the bottom of the canopy, slide the inner holes aligned to the two prominent screws on the mounting bracket again, and turn the canopy ring clockwise until tight.
1. Remove the mounting bracket from the canopy by loosening the two canopy screws located in the L shaped slots until tight.
2. Remove and save the two canopy screws in the round holes. This will enable you to remove the mounting bracket

**Use of remote control**



**Install the bulb**

