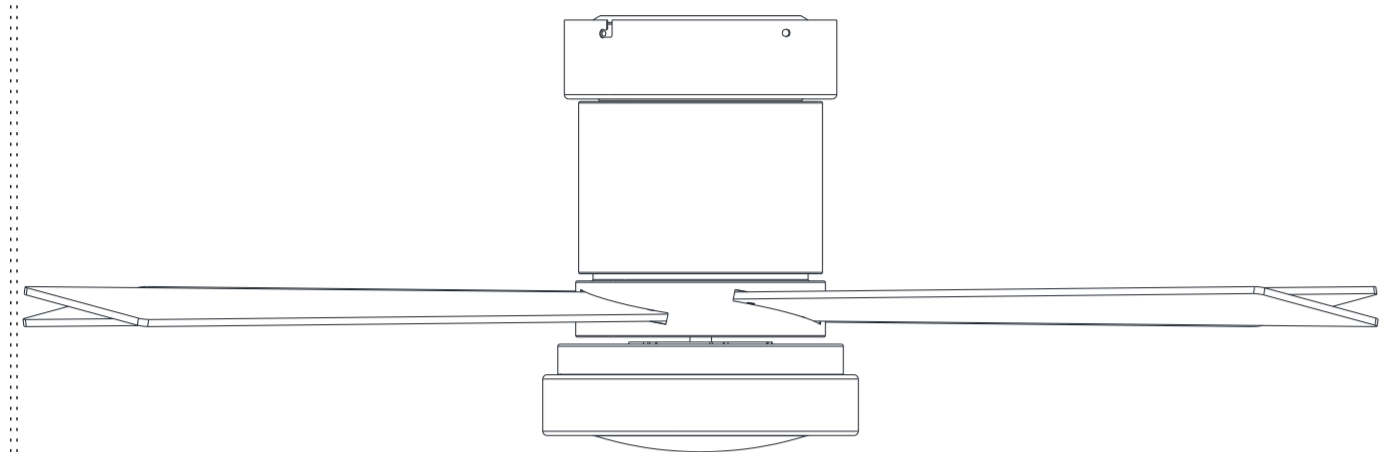


# Creative design

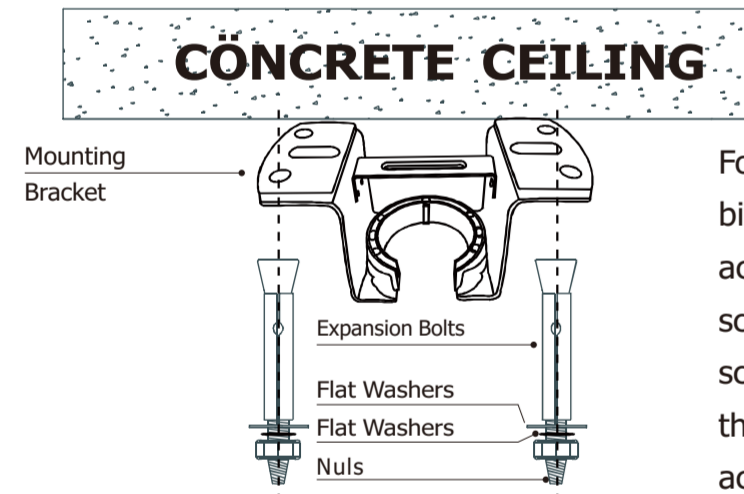
## Multi-Scenario hanging or Ceiling



# DEROCATE CEILING FAN

## User Manual

### Installation of the hanging bracket



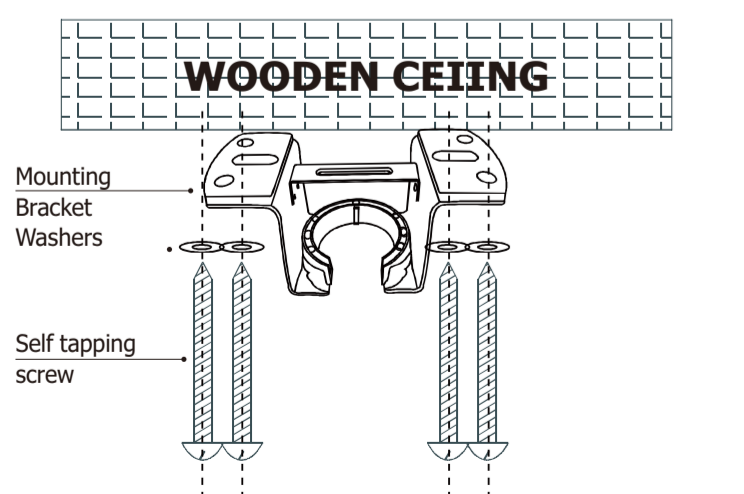
For concrete ceiling, use the percussion bit with diameter 8mm to drill holes according to the length of expansion screws. Then use the attached expansion screws to fix the hanging bracket onto the ceiling (selection is made according to actual requirements of the customers).

**STEP 1 A-CONCRETE CEILING**

SWITCH OFF THE ELECTRICAL MAINS AT THE CIRCUIT BREAKER FUSE BOX.

- 1) Use the Mounting Bracket as a guide, mark the spots where the 4 Expansion Bolts will be drilled.
- 2) Remove the Mounting Bracket, drill 2 holes and insert 2 Expansion Bolts into the concrete ceiling, install the mounting bracket and secure with Flat Washers, Spring Washers and Nuts.

**IMPORTANT : SCREWS & NUTS MUST BE TIGHTENED TILL SNUG**



For wooden ceiling, use wood screw to drill on the wooden beam or the "junction box" to fix the hanging bracket(selection is made according to actual requirements of the customers)

**STEP 2 A-WOODEN CEILING**

SWITCH OFF THE ELECTRICAL MAINS AT THE CIRCUIT BREAKER FUSE BOX.

- 1) Use the Mounting Bracket as a guide, mark the spots where the 4 Self Tapping Screws will be drilled.
- 2) Remove the Mounting Bracket, drill 4 holes for 3MM diameter, install the mounting bracket onto wooden ceiling with the 4Self Tapping Screws &Washers

### Pre-Installation

**Parts Kit**

- AA Expansion screws ×4
- BB Expansion bolts ×2
- CC Plastic wire nut (not to scale) ×3
- DD Blade attachment screw ×13
- EE Paper Washers ×13
- FF blade arm screw and lock washer ×1
- GG Balance sheet ×2
- HH Balance the clip ×1

**NOTE** Hardware not shown to actual size.

### Fastening the blade arms to the motor

Attach a blade to the fan motor housing by first inserting the blade into the in the side of the fan motor housing.

Install a screw into the bracket.Repeat for the two remaining screws.

Tighten each screw securely.

Repeat these steps for the remaining blades.

### Assembly-Attaching the Lights

Align the lamp hardware plate with the mounting hole of the motor assembly.

Fasten the lamp hardware plate to the motor assembly with screws.

Make sure all three screws are in place.

**Light kit fitter assembly setup finish**

### Assembly-Attaching the Lights

Aim the LED light at the screw hole of the hardware plate of the lamp.

Attach the LED light to the lamp tray with screws.

Install the lamp shade into the lamp dial by turning clockwise.

Put the LED light source into the disc (the LED light source has a magnet which can be directly magnetized on the disc).

Pass the LED lead of the motor through the hole in the middle of the LED light source.

Plug the male terminal of LED lead into the female terminal of LED light source.(as shown in figure)

**shade assembly finish**

The female terminal The male terminal

### Installation of the hanging bracket

For concrete ceiling, use the percussion bit with diameter 8mm to drill holes according to the length of expansion screws. Then use the attached expansion screws to fix the hanging bracket onto the ceiling (selection is made according to actual requirements of the customers).

**STEP 1 A-CONCRETE CEILING**

SWITCH OFF THE ELECTRICAL MAINS AT THE CIRCUIT BREAKER FUSE BOX.

- 1) Use the Mounting Bracket as a guide, mark the spots where the 4 Expansion Bolts will be drilled.
- 2) Remove the Mounting Bracket, drill 2 holes and insert 2 Expansion Bolts into the concrete ceiling, install the mounting bracket and secure with Flat Washers, Spring Washers and Nuts.

**IMPORTANT : SCREWS & NUTS MUST BE TIGHTENED TILL SNUG**

For wooden ceiling, use wood screw to drill on the wooden beam or the "junction box" to fix the hanging bracket(selection is made according to actual requirements of the customers)

**STEP 2 A-WOODEN CEILING**

SWITCH OFF THE ELECTRICAL MAINS AT THE CIRCUIT BREAKER FUSE BOX.

- 1) Use the Mounting Bracket as a guide, mark the spots where the 4 Self Tapping Screws will be drilled.
- 2) Remove the Mounting Bracket, drill 4 holes for 3MM diameter, install the mounting bracket onto wooden ceiling with the 4Self Tapping Screws &Washers

### Install Ceiling assembly

Unscrew the two screws in the round hole position, (diagonal direction)

Loosen the two screws in the notch direction (diagonal direction)

Rotating top plate

Remove the suction top plate.

Screw the installed fan assembly into the suction top plate in the opposite direction.

Then tighten the screws.

### Install downrod assembly

(Install it as required)

Carefully feed the molar wires up though the downrod

Align the holes and replace hanger pin and locking pin.

Tighten the two color setscrews.

Slip coupling cover,canopy coverand canopy onto the downrod.

### Hang the fan

Lift the fan motor assembly up to the mounting bracket and seat the hanger ball in the mounting bracket socket.Rotate the fan motor assembly until the check groove drops into the registration slot and seats firmly.The downrod should not rotate if the is done correctly

### Install canopy

Ensure the loosened screws is inserted into the key holes on the mounting bracket.

Carefully raise the canopy up to the mounting bracket.Rotate the canopy clockwise.

Secure the canopy by replacing the screws previously removed and tightening the screw previously loosened

Place the canopy cover (if applicable)and rotate the canopy cover clockwise until it locks into position.

### Making the electrical connections

**WARNING** Each wire not supplied with this fan is designed to accept up to one 12-gauge house wire and two wires from the fan. If you have larger than 12-gauge house wiring or more than one house wire to connect to the fan wiring, consult an electrician for the proper size wire nuts to use.

**IMPORTANT:** Use the plastic wire connectors(BB) supplied with your fan. Secure the connectors with electrical tape and ensure there are no loose strands or connections.

**WARNING:** Remove the rubber motor stops on the bottom of fan before installing the blades or testing the motor.

**IMPORTANT:** Use the plastic wire connectors(BB) supplied with your fan. Secure the connectors with electrical tape and ensure there are no loose strands or connections.

**WARNING:** Remove the rubber motor stops on the bottom of fan before installing the blades or testing the motor.

1. Raise the fan and place the hanger ball onto mounting bracket.
2. Rotate the fan until the notch on hanger ball snapped into the slot on mounting bracket and sits firmly.
- NOTE : THE DOWNROD AND HANGER BALL SHOULD NOT ROTATE IF THIS STEP IS DONECORRECTLY.
3. Loose the safety wire clamp.
4. Route the safety wire through the sideFan hole on mounting, bracket, and retighten the safety wire with safety wire clamp.
5. Connect the wire connector plugs correctly. The wire connector plugs design with fool proof device, please don't force to plug. Other wise it may affect the normal use of the light fan or burn the fan motor.

### Use of remote control

ALL On/Off

Level 1~6

Fan On/Off

Forward

Auto off after 1hr~4hr

LIGHT ON/OFF

Reverse Natural wind

FanSpeed Low Level

FanSpeed Middle Level

FanSpeed High level

FanSTOP

ALL On/Off

LIGHT On/Off

Auto off after 1hr

Auto off after 2hr

Auto off after 4hr

Forward

Natural wind

Reverse