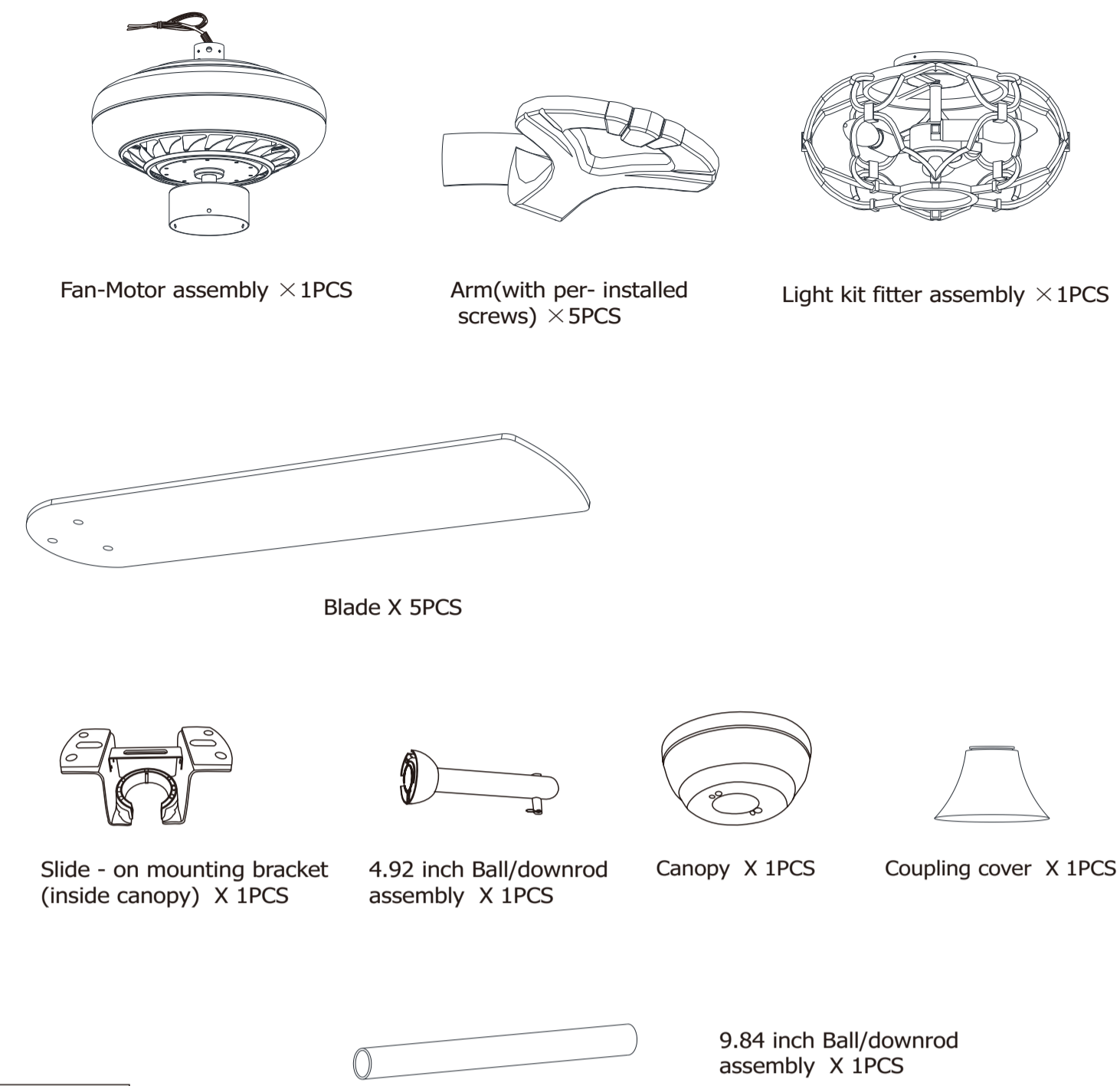
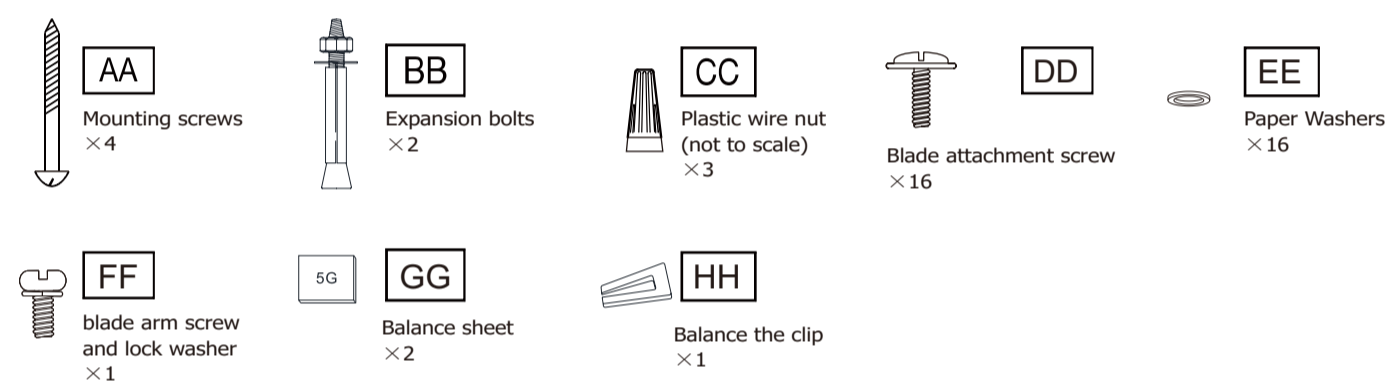


**52-INCH DEROCATE CEILING FAN
USE AND CARE GUIDE**

Pre-Installation

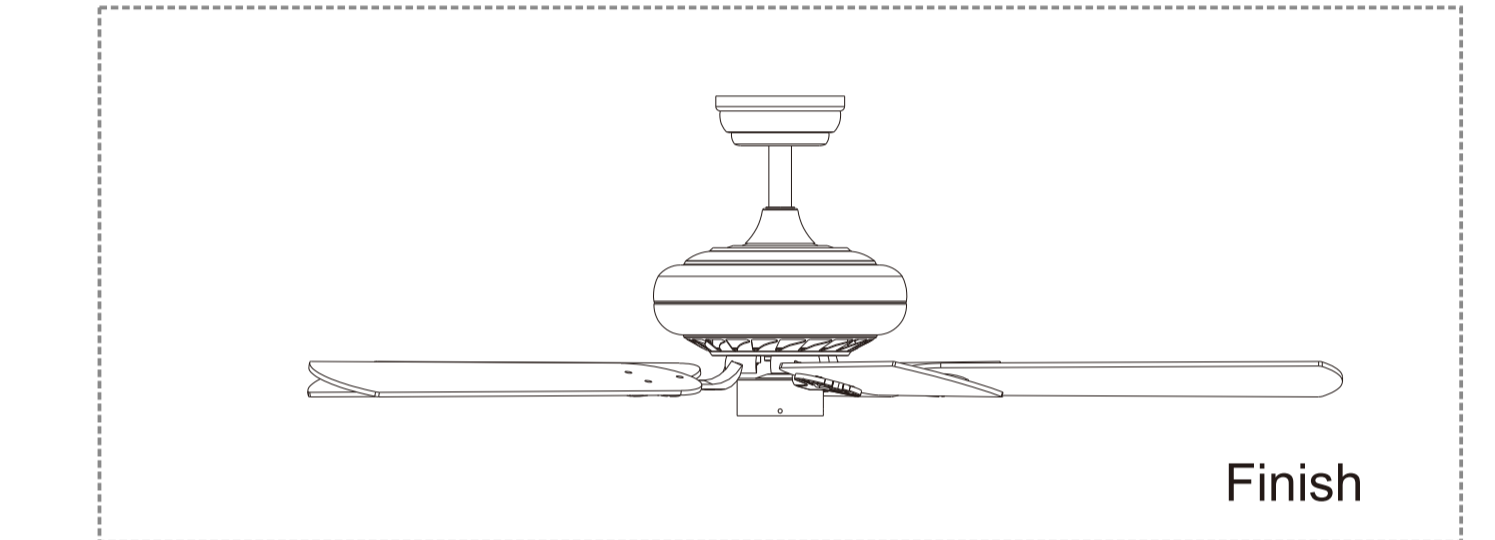
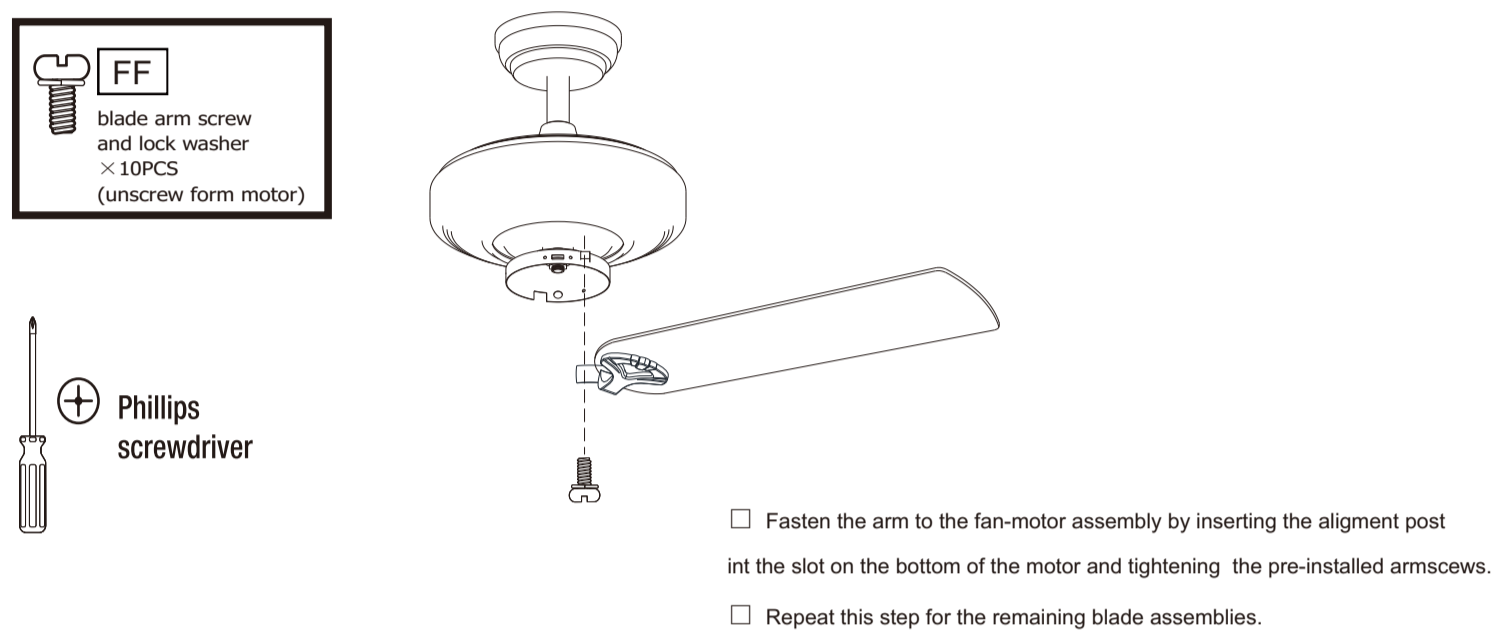
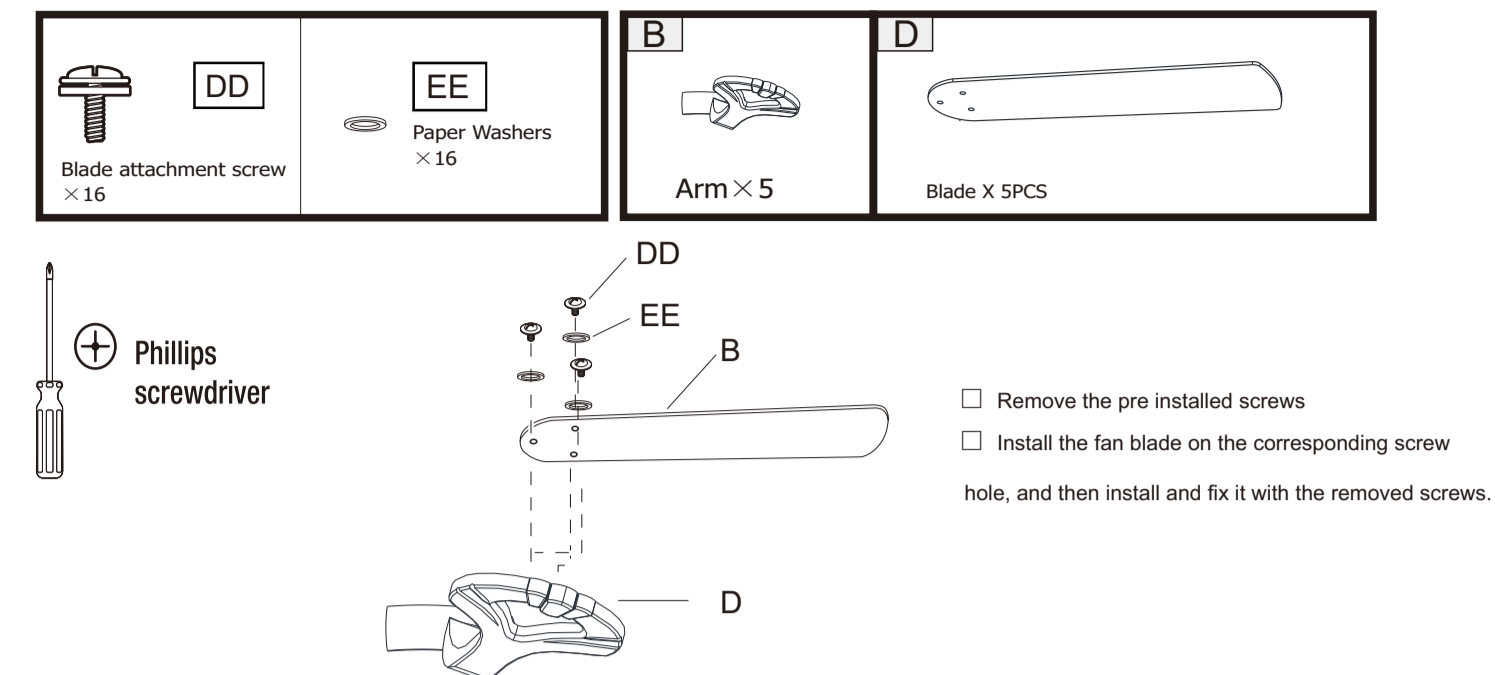


Parts Kit

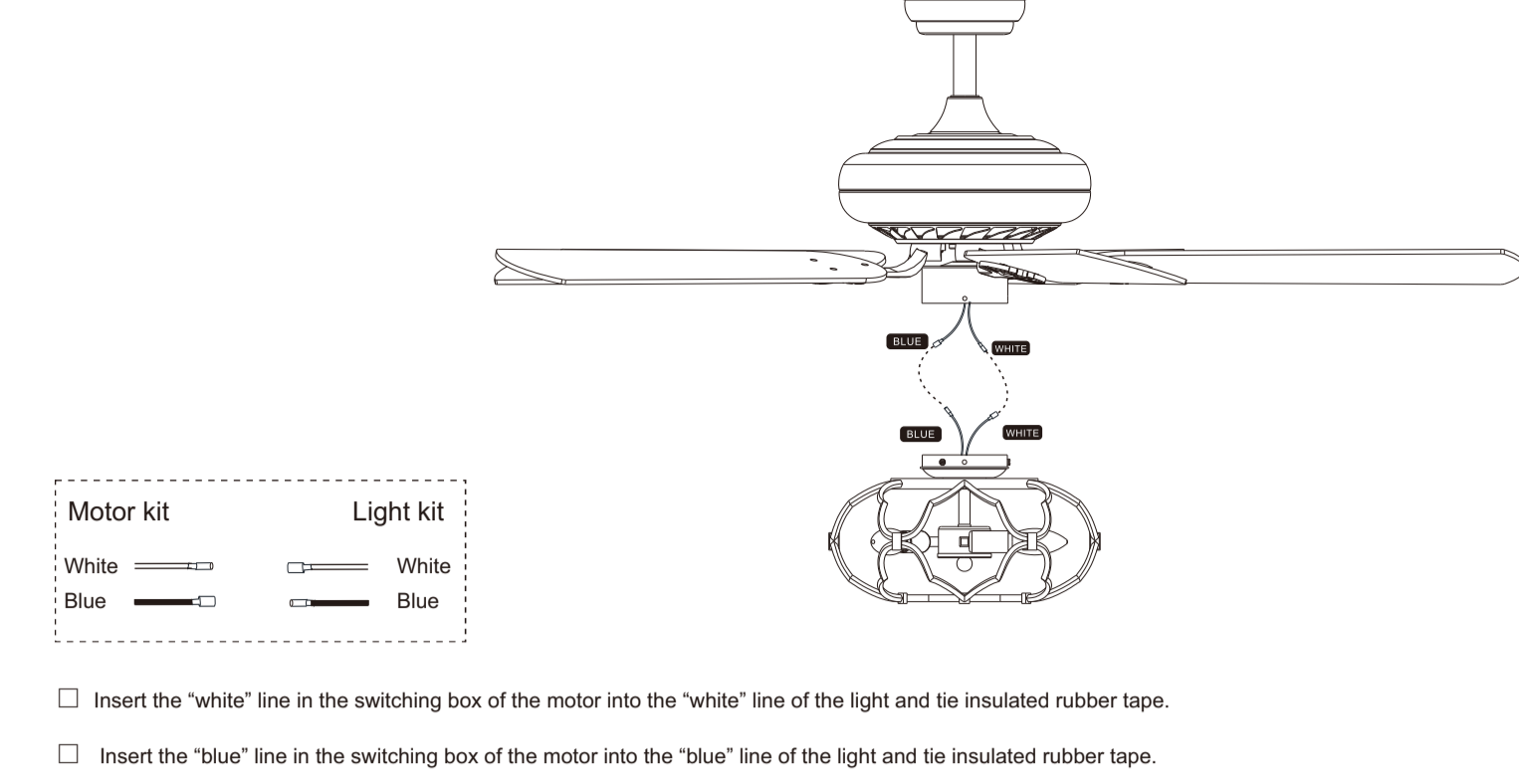


NOTE Hardware not shown to actual size.

Fastening the blade arms to the motor

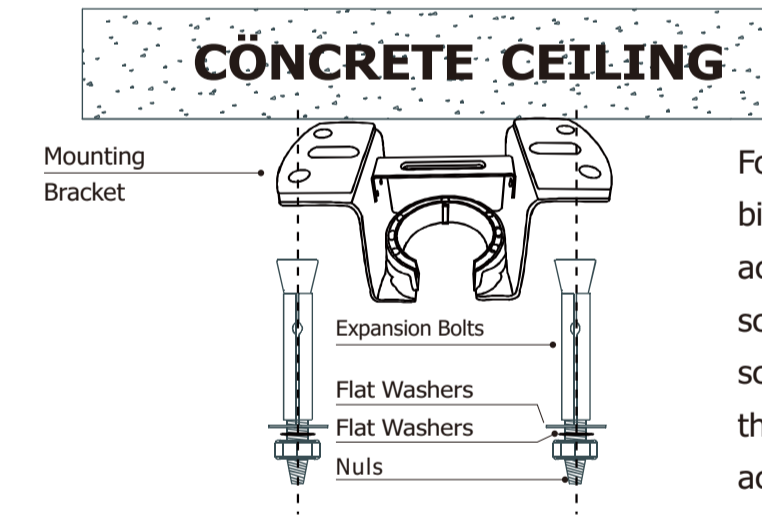


Assembly-Attaching the Lights



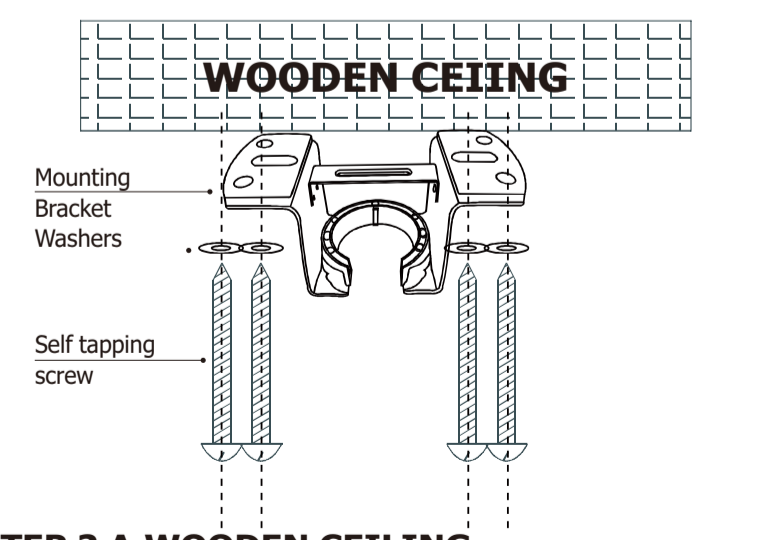
Take the wire into the switching box of the motor.
Align the opening of switching box of the light at switch locking position of the positive and negative rotation of the motors withing box.
Place the cover screw in the screw of the switching box.

Installation of the hanging bracket



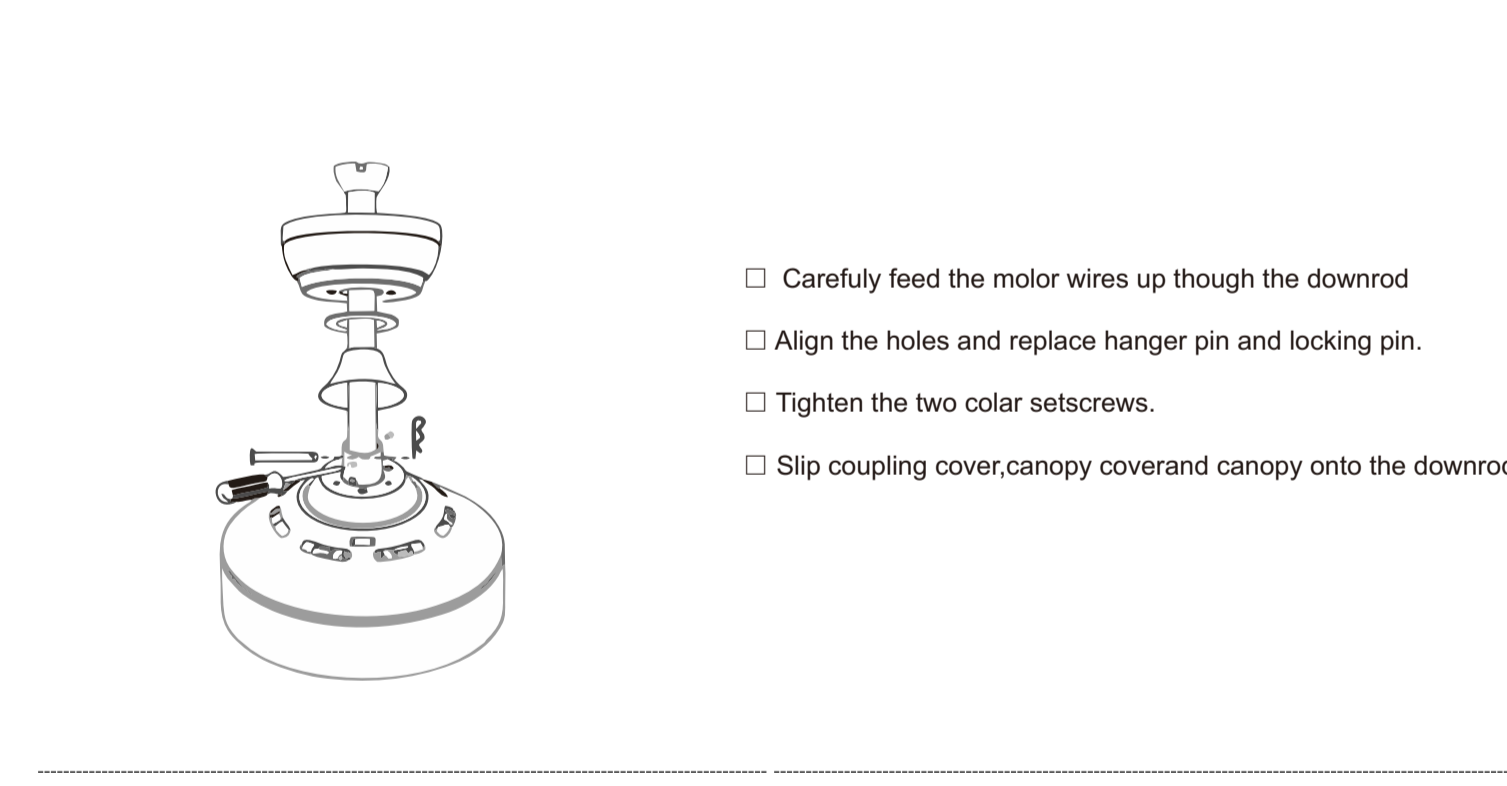
CONCRETE CEILING
For concrete ceiling, use the percussion bit with diameter 8mm to drill holes according to the length of expansion screws. Then use the attached expansion screws to fix the hanging bracket onto the ceiling (selection is made according to actual requirements of the customers).

IMPORTANT : SCREWS & NUTS MUST BE TIGHTENED TILL SNUG



WOODEN CEILING
For wooden ceiling, use wood screw to drill on the wooden beam or the "junction box" to fix the hanging bracket(selection is made according to actual requirements of the customers)

Install downrod assembly

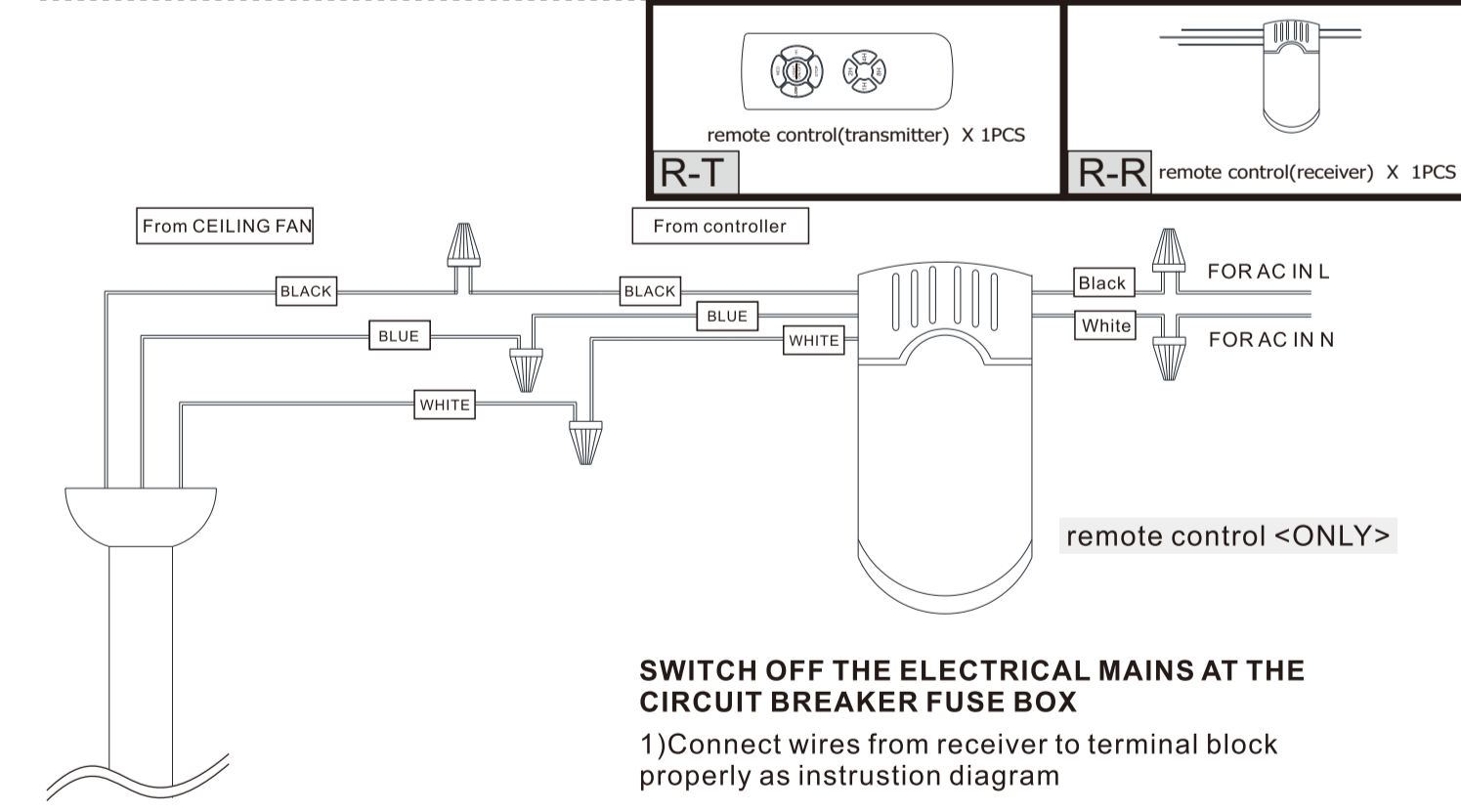


Hang the fan
Lift the fan motor assembly up to the mounting bracket and seat the hanger ball in the mounting bracket socket. Rotate the fan motor assembly until the check groove drops into the registration slot and seats firmly. The downrod should not rotate if the is done correctly

Install canopy
Ensure the loosened screws is inserted into the key holes on the mounting bracket.
Carefully raise the canopy up to the mounting bracket. Rotate the canopy clockwise.
Secure the canopy by replacing the screws previously removed and tightening the screw previously loosened
Place the canopy cover (if applicable) and rotate the canopy cover clockwise until it locks into position.

Making the electrical connections

WARNING: Each wire not supplied with this fan is designed to accept up to one 12-gauge house wire and two wires from the fan. If you have larger than 12-gauge house wiring or more than one house wire to connect to the fan wiring, consult an electrician for the proper size wire nuts to use.
IMPORTANT: Use the plastic wire connectors(BB) supplied with your fan. Secure the connectors with electrical tape and ensure there are no loose strands or connections.
WARNING: Remove the rubber motor stops on the bottom of fan before installing the blades or testing the motor.



Assembly - Hanging the Fan(continued)

Preparing for mounting
Install remote control
1. Carefully push the canopy to the bottom of the mounting bracket, make two sliding holes aligned to the two prominent screws on the mounting bracket, and then turn clockwise until tight.
2. Push the canopy ring to the bottom of the canopy, slide the inner holes aligned to the two prominent screws on the mounting bracket again, and turn the canopy ring clockwise until tight.

Preparing for mounting
1. Remove the mounting bracket from the canopy by loosening the two canopy screws located in the L shaped slots
2. Remove and save the two canopy screws in the round holes. This will enable you to remove the mounting bracket

Use of remote control

