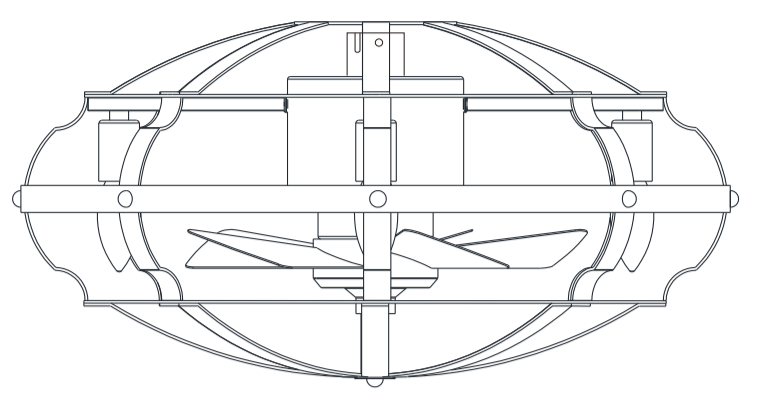
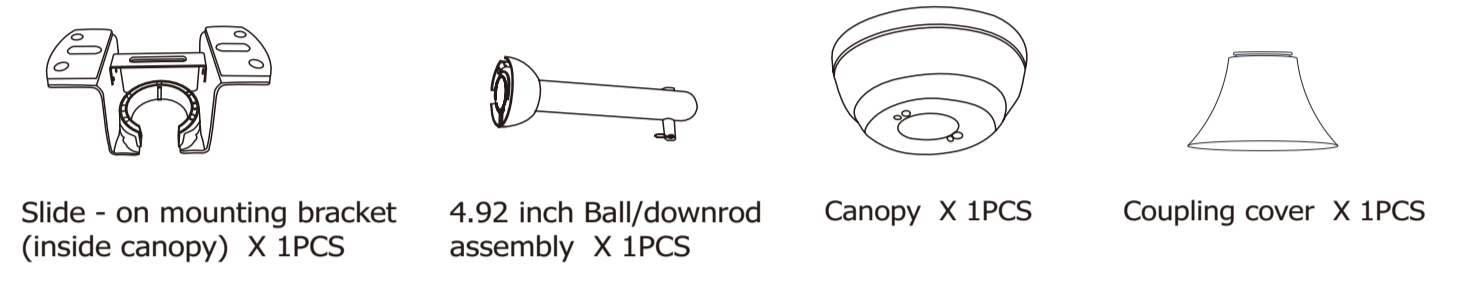


**20-INCH DEROCATE CEILING FAN
USE AND CARE GUIDE**

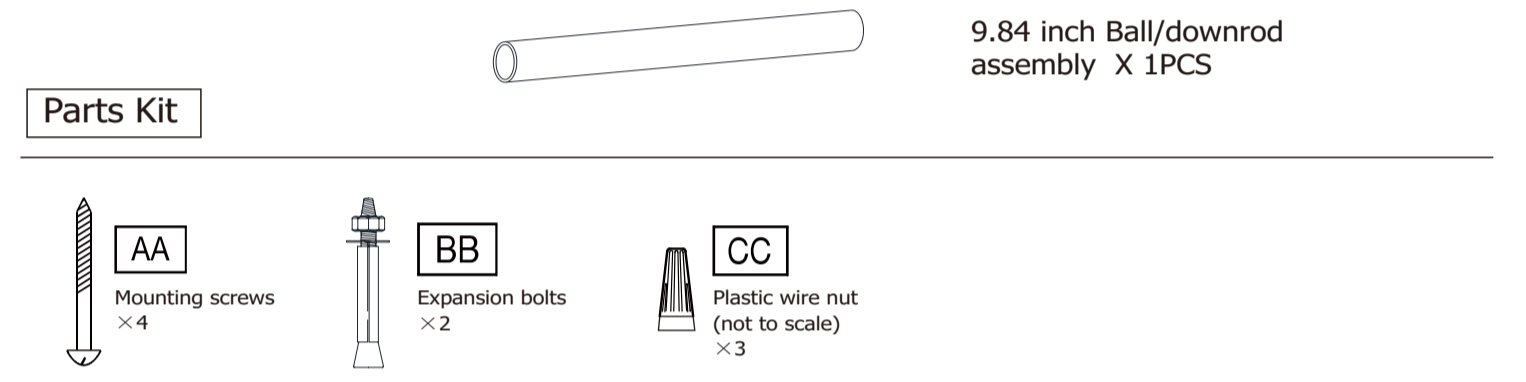
Pre-Installation



Fan-Motor assembly X 1PCS



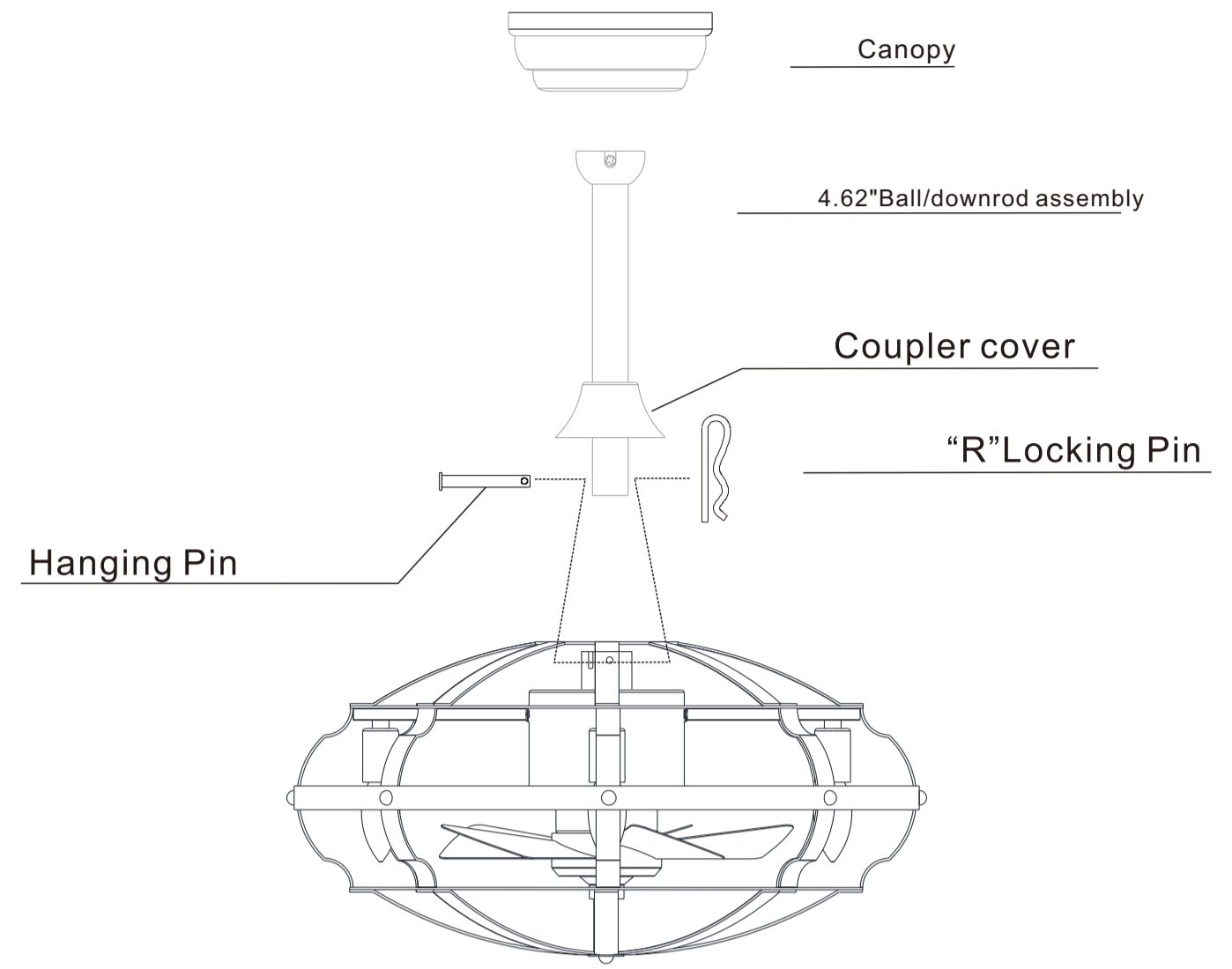
Slide - on mounting bracket (inside canopy) X 1PCS
4.92 inch Ball/downrod assembly X 1PCS
Canopy X 1PCS
Coupling cover X 1PCS



Parts Kit
9.84 inch Ball/downrod assembly X 1PCS
AA Mounting screws X 4
BB Expansion bolts X 2
CC Plastic wire nut (not to scale) X 3

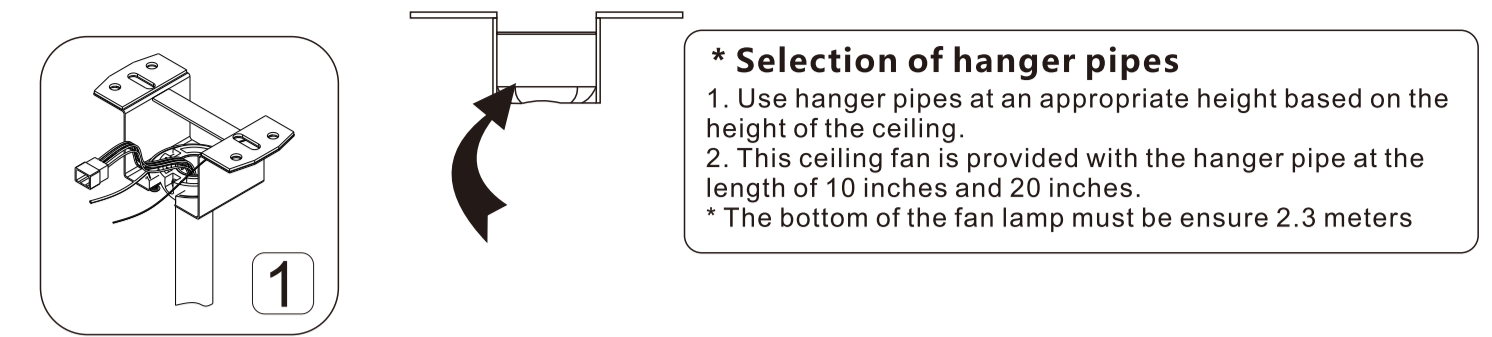
NOTE Hardware not shown to actual size.

Fastening the blade arms to the motor

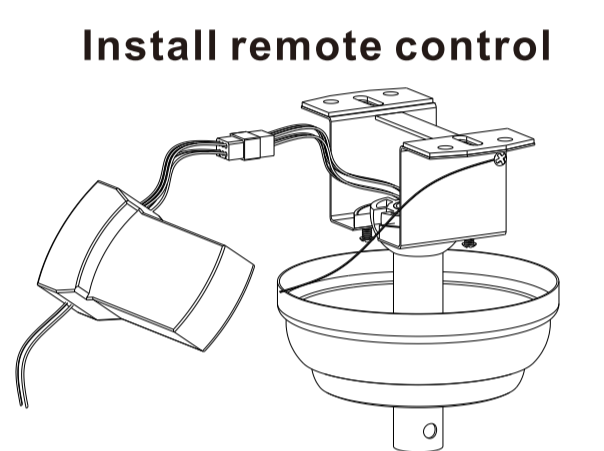
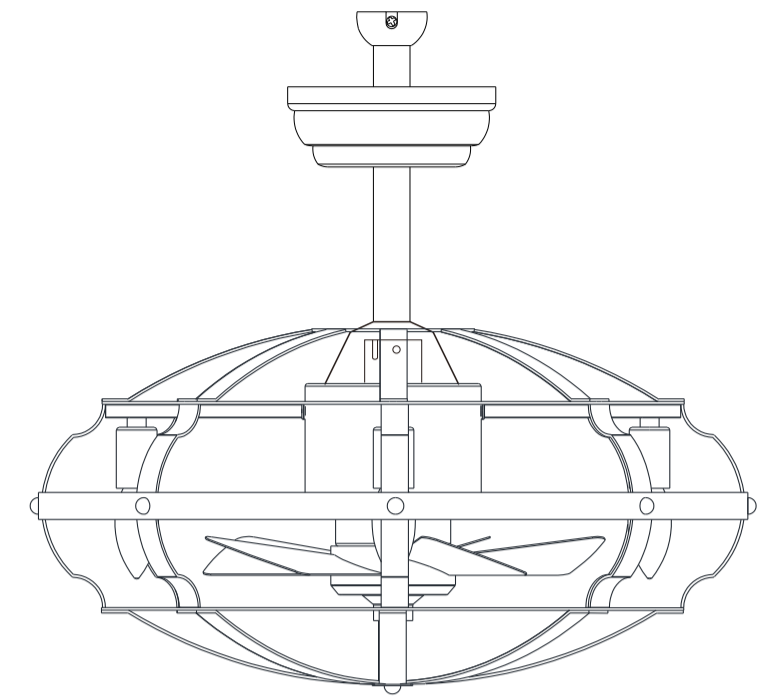


- Loosen, but do not remove, the two setscrews on the collar on top of the motor housing.
- Align the holes at the bottom of the downrod with the holes in the collar on top of the motor housing.
- Carefully insert the hanger pin through the holes in the collar and downrod. Be careful not to jam the hanger pin against the wiring inside the downrod.
- Insert the locking pin through the hole near the end of the hanger pin until it snaps into its locked position. Re-tighten the two setscrews on the collar on top of the motor housing.

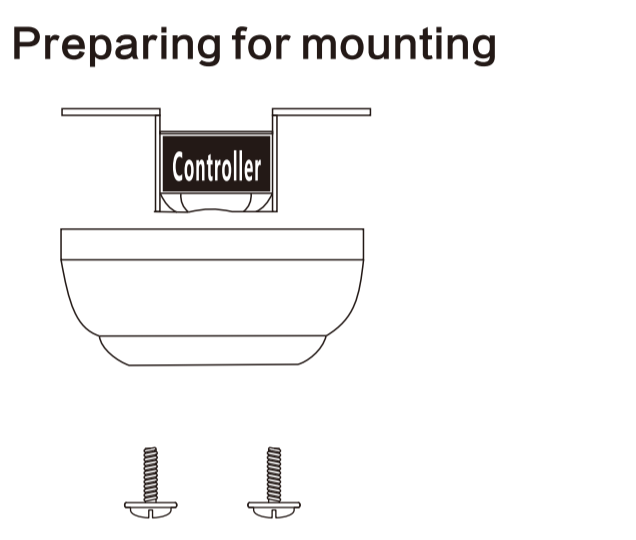
INSTALLATION INSTRUCTION



- * Selection of hanger pipes**
1. Use hanger pipes at an appropriate height based on the height of the ceiling.
 2. This ceiling fan is provided with the hanger pipe at the length of 10 inches and 20 inches.
- * The bottom of the fan lamp must be ensure 2.3 meters



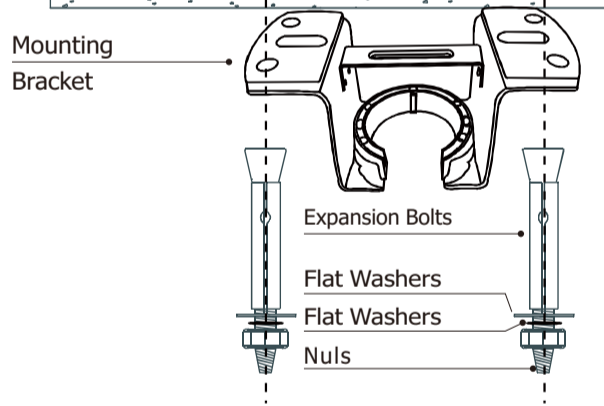
- Install remote control**
- Carefully push the canopy to the bottom of the mounting bracket, make two sliding holes aligned to the two prominent screws on the mounting bracket, and then turn clockwise until tight.
 - Push the canopy ring to the bottom of the canopy, slide the inner holes aligned to the two prominent screws on the mounting bracket again, and turn the canopy ring clockwise until tight.



- Preparing for mounting**
- Remove the mounting bracket from the canopy by loosening the two canopy screws located in the L shaped slots.
 - Remove and save the two canopy screws in the round holes. This will enable you to remove the mounting bracket

Installation of the hanging bracket

CONCRETE CEILING



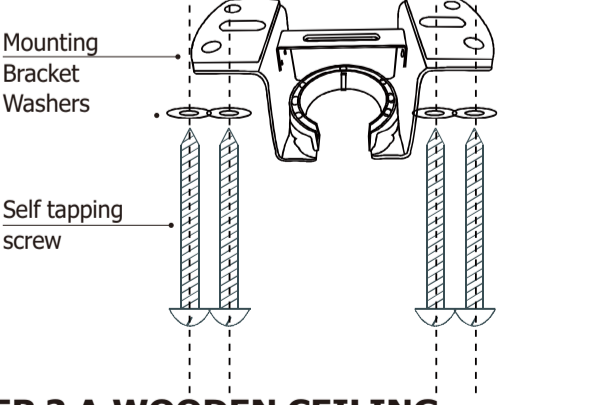
For concrete ceiling, use the percussion bit with diameter 8mm to drill holes according to the length of expansion screws. Then use the attached expansion screws to fix the hanging bracket onto the ceiling (selection is made according to actual requirements of the customers).

STEP 1 A-CONCRETE CEILING

SWITCH OFF THE ELECTRICAL MAINS AT THE CIRCUIT BREAKER FUSE BOX.
1) Use the Mounting Bracket as a guide, mark the spots where the 4 Expansion Bolts will be drilled.
2) Remove the Mounting Bracket, drill 2 holes and insert 2 Expansion Bolts into the concrete ceiling, install the mounting bracket and secure with Flat Washers, Spring Washers and Nuts.

IMPORTANT : SCREWS & NUTS MUST BE TIGHTENED TILL SNUG

WOODEN CEILING

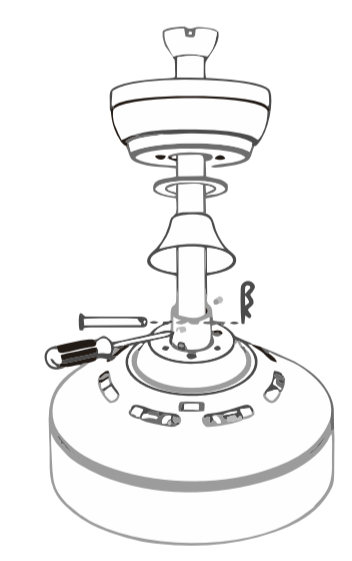


For wooden ceiling, use wood screw to drill on the wooden beam or the "junction box" to fix the hanging bracket(selection is made according to actual requirements of the customers)

STEP 2 A-WOODEN CEILING

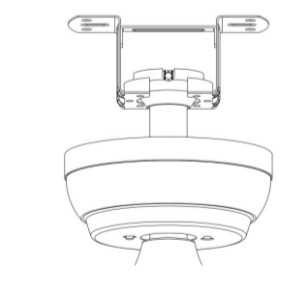
SWITCH OFF THE ELECTRICAL MAINS AT THE CIRCUIT BREAKER FUSE BOX.
1) Use the Mounting Bracket as a guide, mark the spots where the 4 Self Tapping Screws will be drilled.
2) Remove the Mounting Bracket, drill 4 holes for 3MM diameter, install the mounting bracket onto wooden ceiling with the 4 Self Tapping Screws & Washers

Install downrod assembly



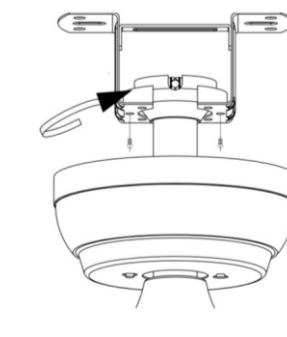
- Carefully feed the motor wires up through the downrod
- Align the holes and replace hanger pin and locking pin.
- Tighten the two collar setscrews.
- Slip coupling cover, canopy cover and canopy onto the downrod.

Hang the fan



- Lift the fan motor assembly up to the mounting bracket and seat the hanger ball in the mounting bracket socket. Rotate the fan motor assembly until the check groove drops into the registration slot and seats firmly. The downrod should not rotate if this is done correctly

Install canopy



- Ensure the loosened screws is inserted into the key holes on the mounting bracket.
- Carefully raise the canopy up to the mounting bracket. Rotate the canopy clockwise.
- Secure the canopy by replacing the screws previously removed and tightening the screw previously loosened
- Place the canopy cover (if applicable) and rotate the canopy cover clockwise until it locks into position.

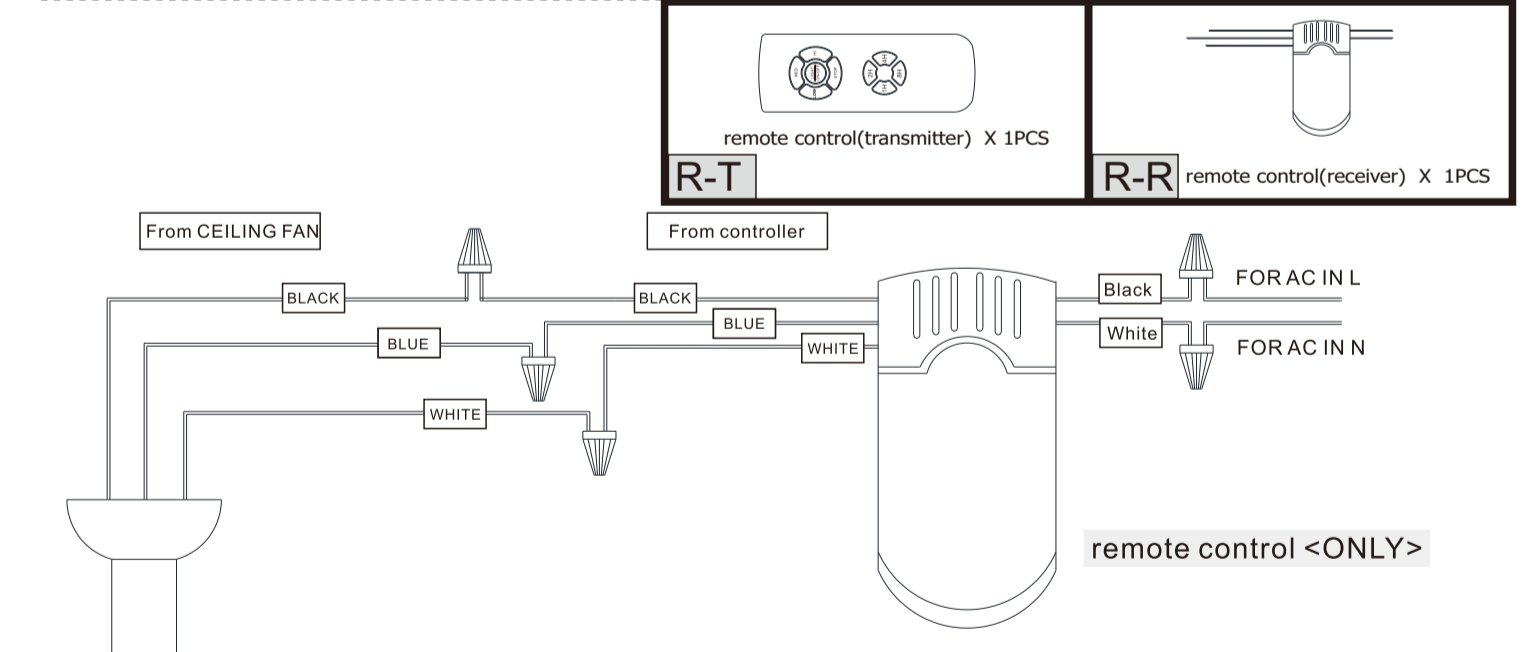
Making the electrical connections

WARNING: Each wire not supplied with this fan is designed to accept up to one 12-gauge house wire and two wires from the fan. If you have larger than 12-gauge house wiring or more than one house wire to connect to the fan wiring, consult an electrician for the proper size wire nuts to use.

IMPORTANT: Use the plastic wire connectors(BB) supplied with your fan. Secure the connectors with electrical tape and ensure there are no loose strands or connections.

WARNING: Remove the rubber motor stops on the bottom of the fan before installing the blades or testing the motor.

- WARNING:** Each wire not supplied with this fan is designed to accept up to one 12-gauge house wire and two wires from the fan. If you have larger than 12-gauge house wiring or more than one house wire to connect to the fan wiring, consult an electrician for the proper size wire nuts to use.
- WARNING:** Remove the rubber motor stops on the bottom of the fan before installing the blades or testing the motor.
- IMPORTANT:** Use the plastic wire connectors(BB) supplied with your fan. Secure the connectors with electrical tape and ensure there are no loose strands or connections.



SWITCH OFF THE ELECTRICAL MAINS AT THE CIRCUIT BREAKER FUSE BOX
1) Connect wires from receiver to terminal block properly as instruction diagram

Assembly - Hanging the Fan(continued)

Preparing for mounting

Install remote control

1. Carefully push the canopy to the bottom of the mounting bracket, make two sliding holes aligned to the two prominent screws on the mounting bracket, and then turn clockwise until tight.

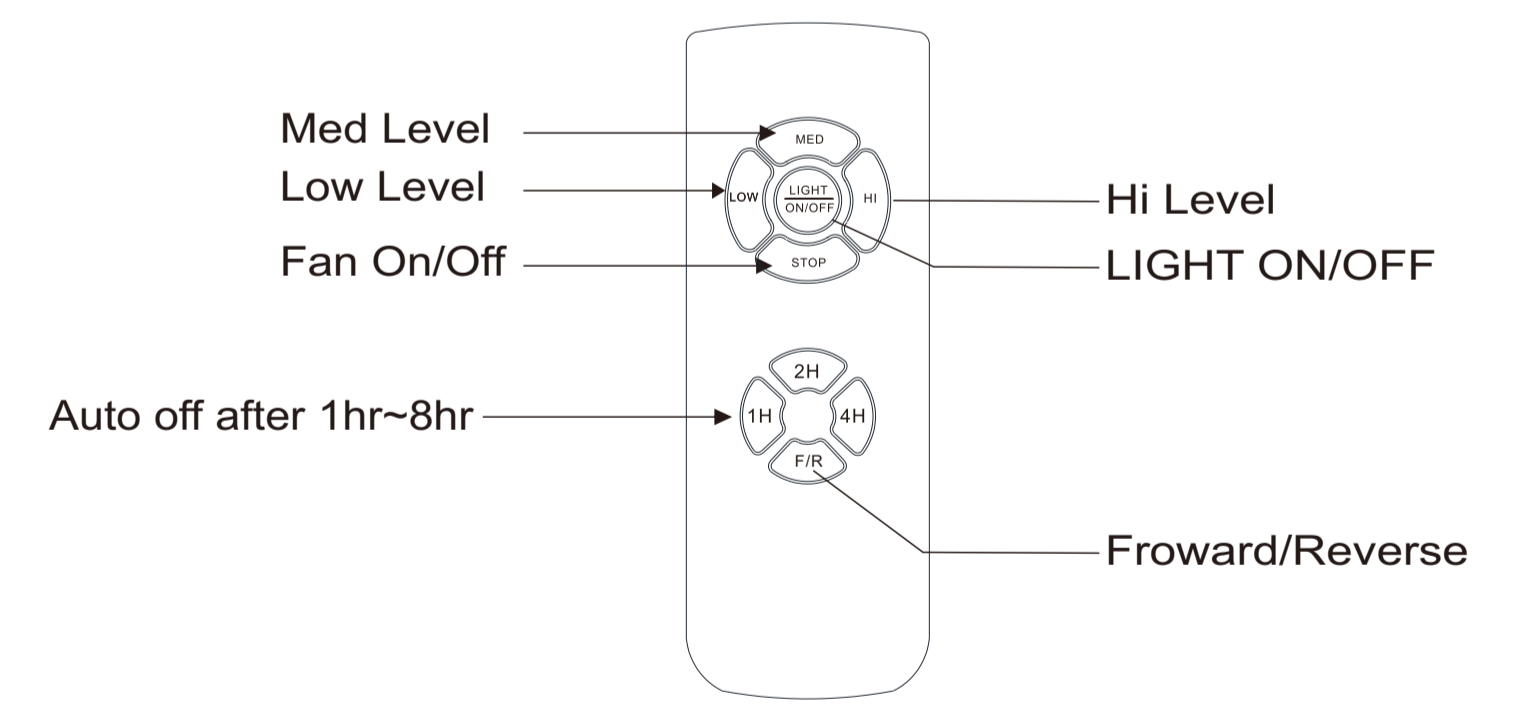
2. Push the canopy ring to the bottom of the canopy, slide the inner holes aligned to the two prominent screws on the mounting bracket again, and turn the canopy ring clockwise until tight.

Preparing for mounting

1. Remove the mounting bracket from the canopy by loosening the two canopy screws located in the L shaped slots until tight.

2. Remove and save the two canopy screws in the round holes. This will enable you to remove the mounting bracket

Use of remote control



- LOW** FanSpeed Low Level
- MED** FanSpeed Middle Level
- HI** FanSpeed High level
- STOP** FanSTOP

LIGHT ON/OFF LIGHT NO/OFF

- 1H** Auto off after 1hr
- 2H** Auto off after 2hr
- 4H** Auto off after 4hr
- 8H** Auto off after 8hr

F/R Forward or Reverse operation: Press the button for 2sec until there is a "BEEP" sound to change fan rotating direction. (approx. 0.2sec)