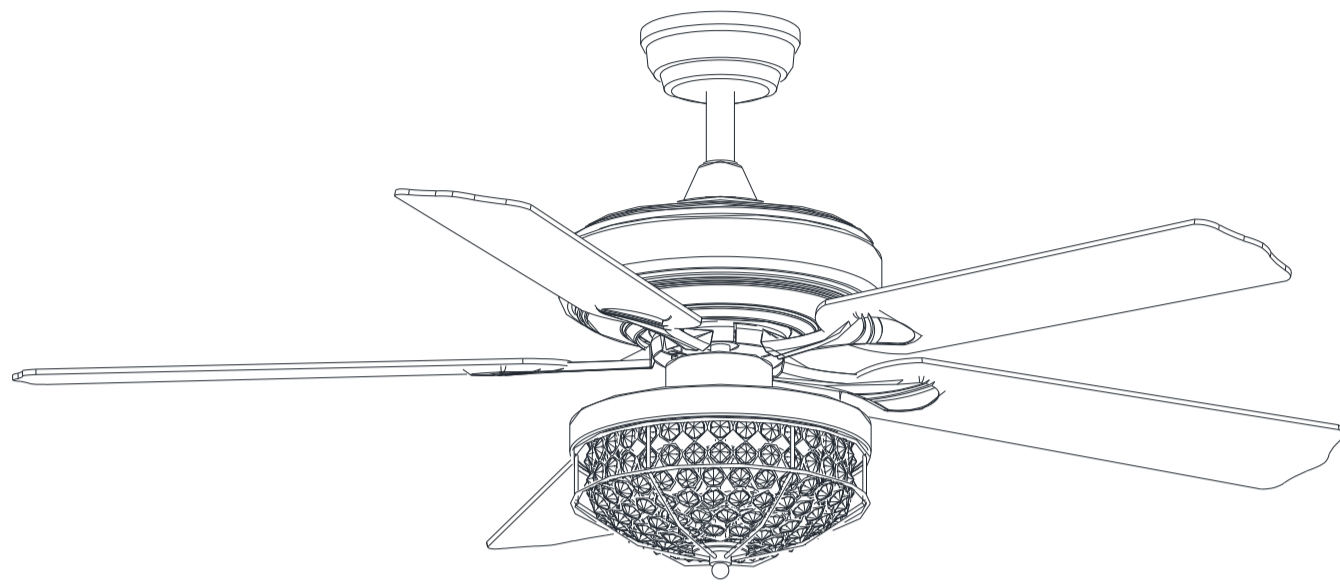


## Creative design

# Multi-Scenario

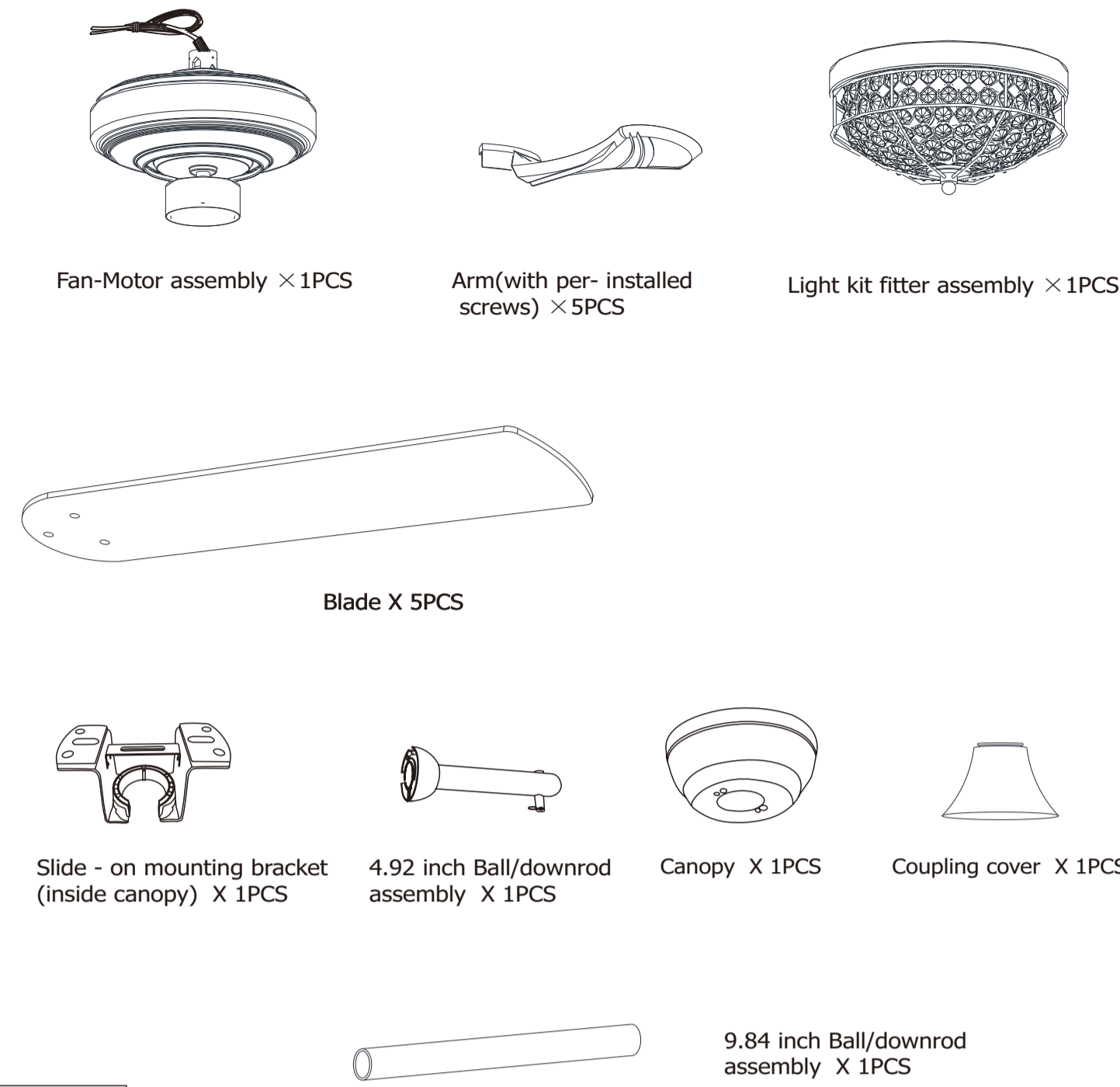
hanging or Ceiling



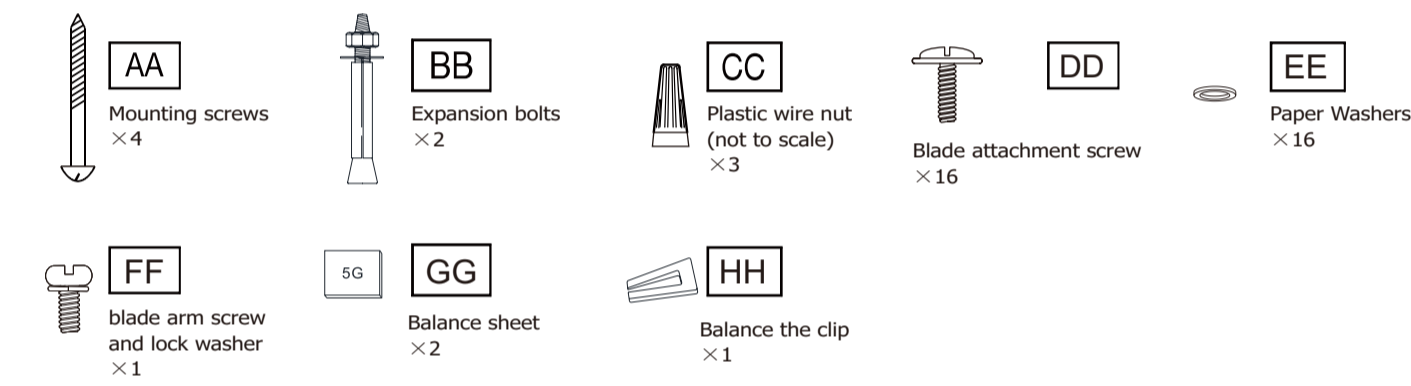
## DEROCATE CEILING FAN

### User Manual

#### Pre-Installation

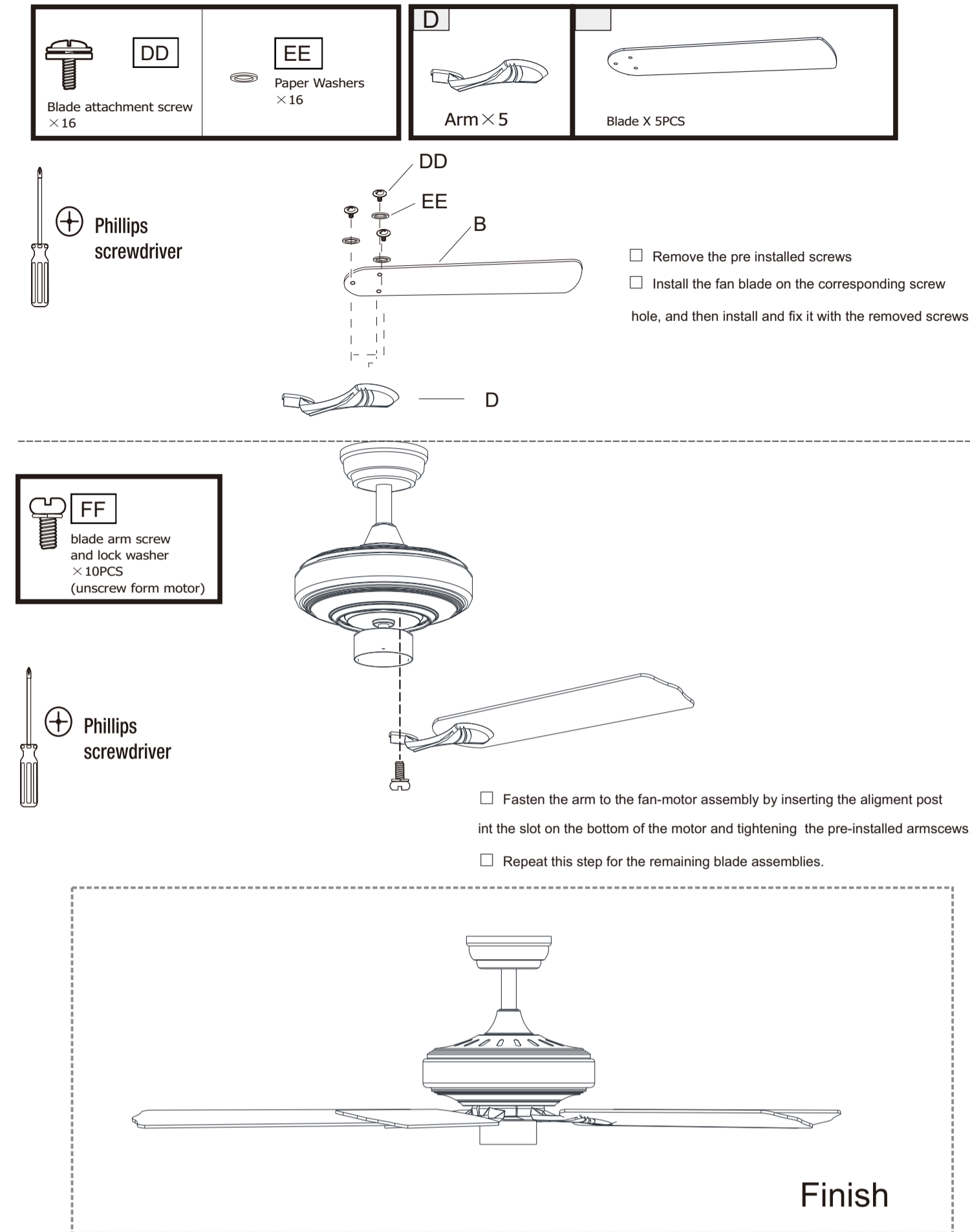


#### Parts Kit

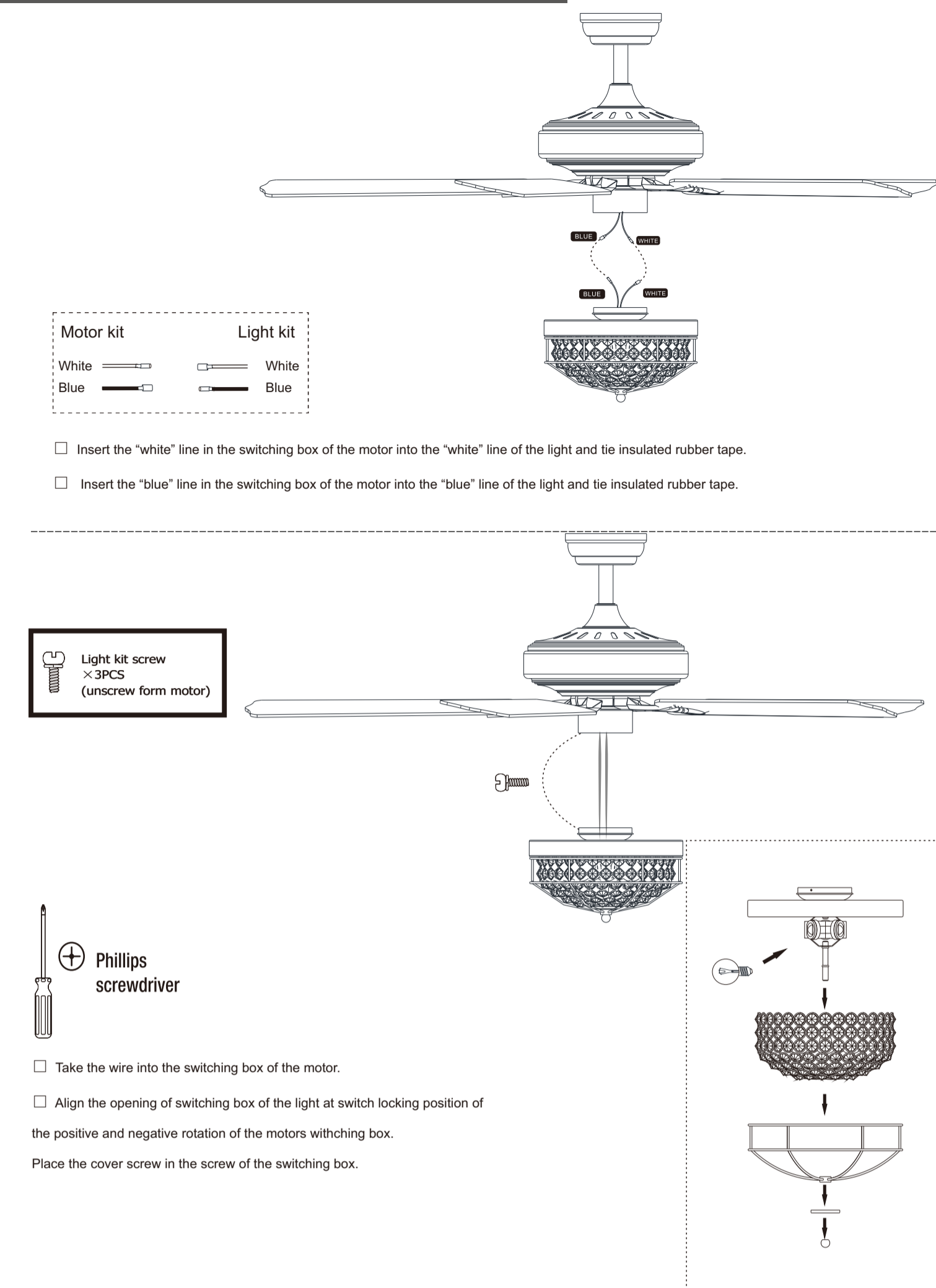


**NOTE** Hardware not shown to actual size.

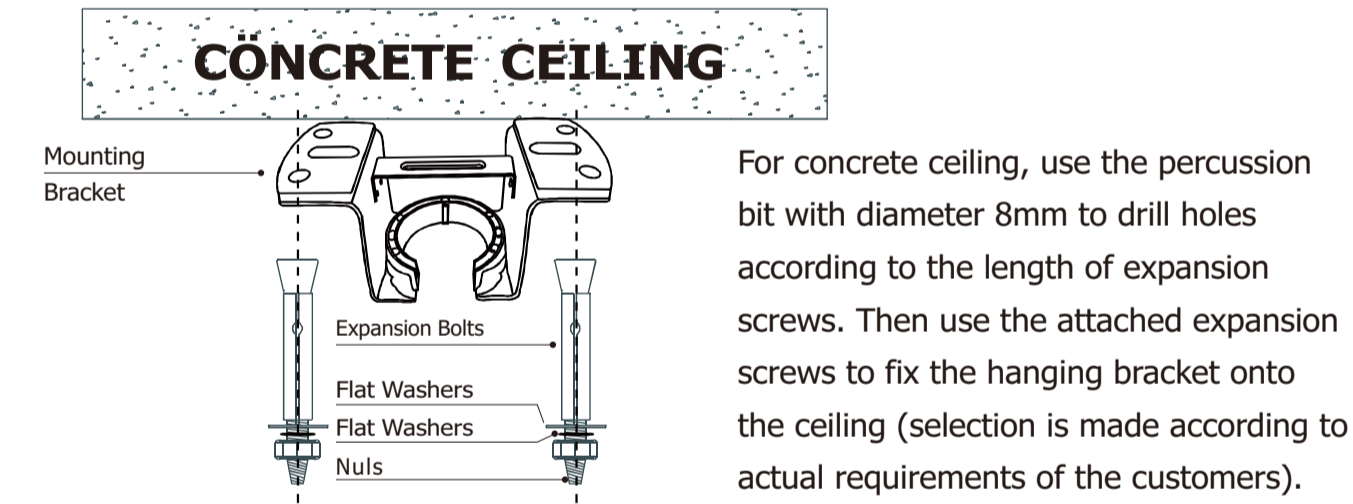
#### Fastening the blade arms to the motor



#### Assembly-Attaching the Lights



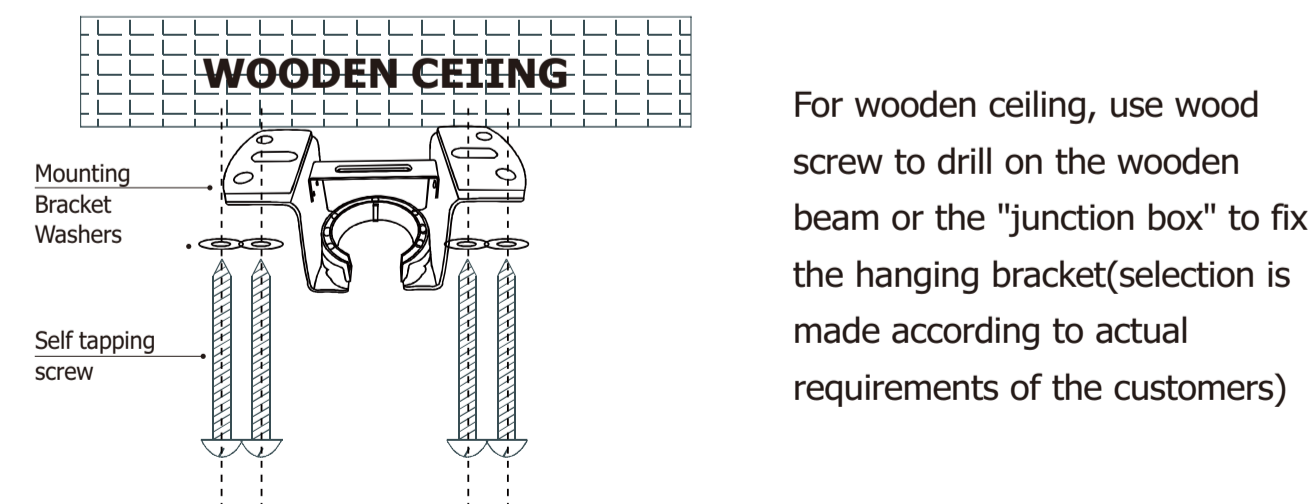
#### Installation of the hanging bracket



#### STEP 1 A-CONCRETE CEILING

SWITCH OFF THE ELECTRICAL MAINS AT THE CIRCUIT BREAKER FUSE BOX.  
 1) Use the Mounting Bracket as a guide, mark the spots where the 4 Expansion Bolts will be drilled.  
 2) Remove the Mounting Bracket, drill 2 holes and insert 2 Expansion Bolts into the concrete ceiling, install the mounting bracket and secure with Flat Washers, Spring Washers and Nuts.

**IMPORTANT: SCREWS & NUTS MUST BE TIGHTENED TILL SNUG**

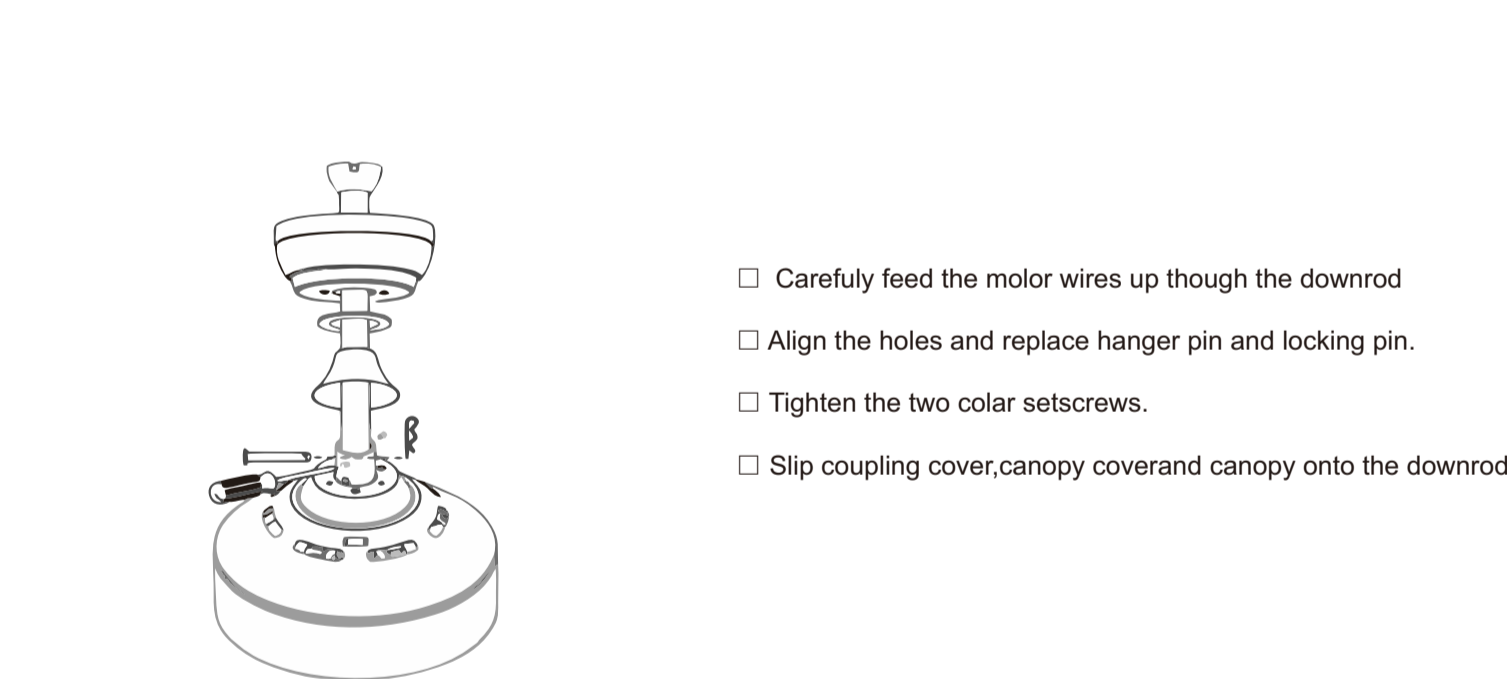


#### STEP 2 A-WOODEN CEILING

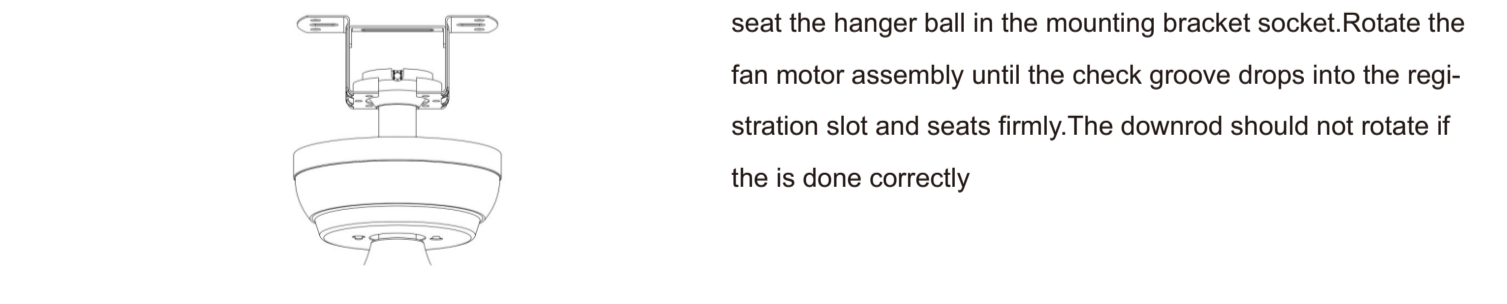
SWITCH OFF THE ELECTRICAL MAINS AT THE CIRCUIT BREAKER FUSE BOX.

1) Use the Mounting Bracket as a guide, mark the spots where the 4 Self Tapping Screws will be drilled.  
 2) Remove the Mounting Bracket, drill 4 holes for 3MM diameter, install the mounting bracket onto wooden ceiling with the 4 Self Tapping Screws & Washers

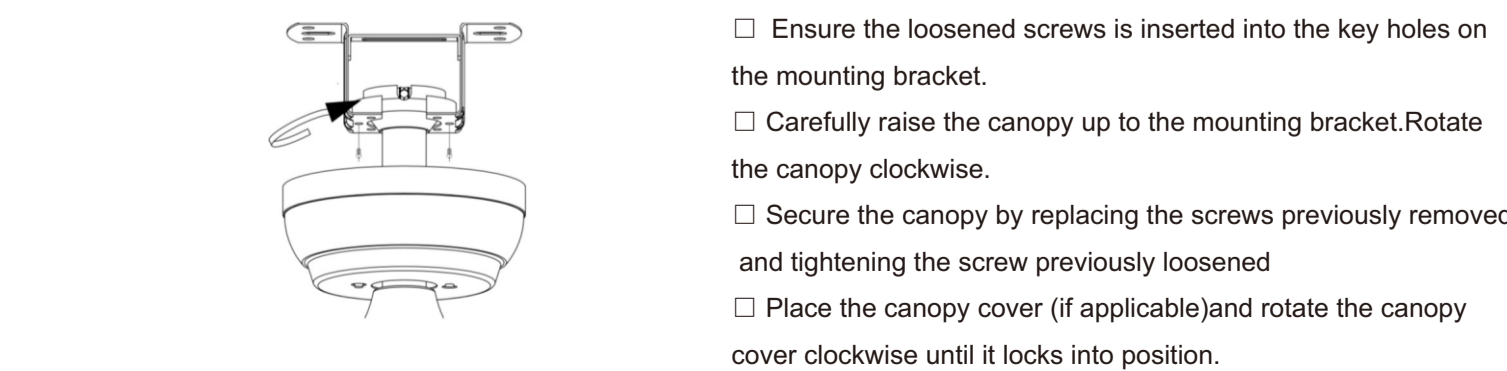
#### Install downrod assembly



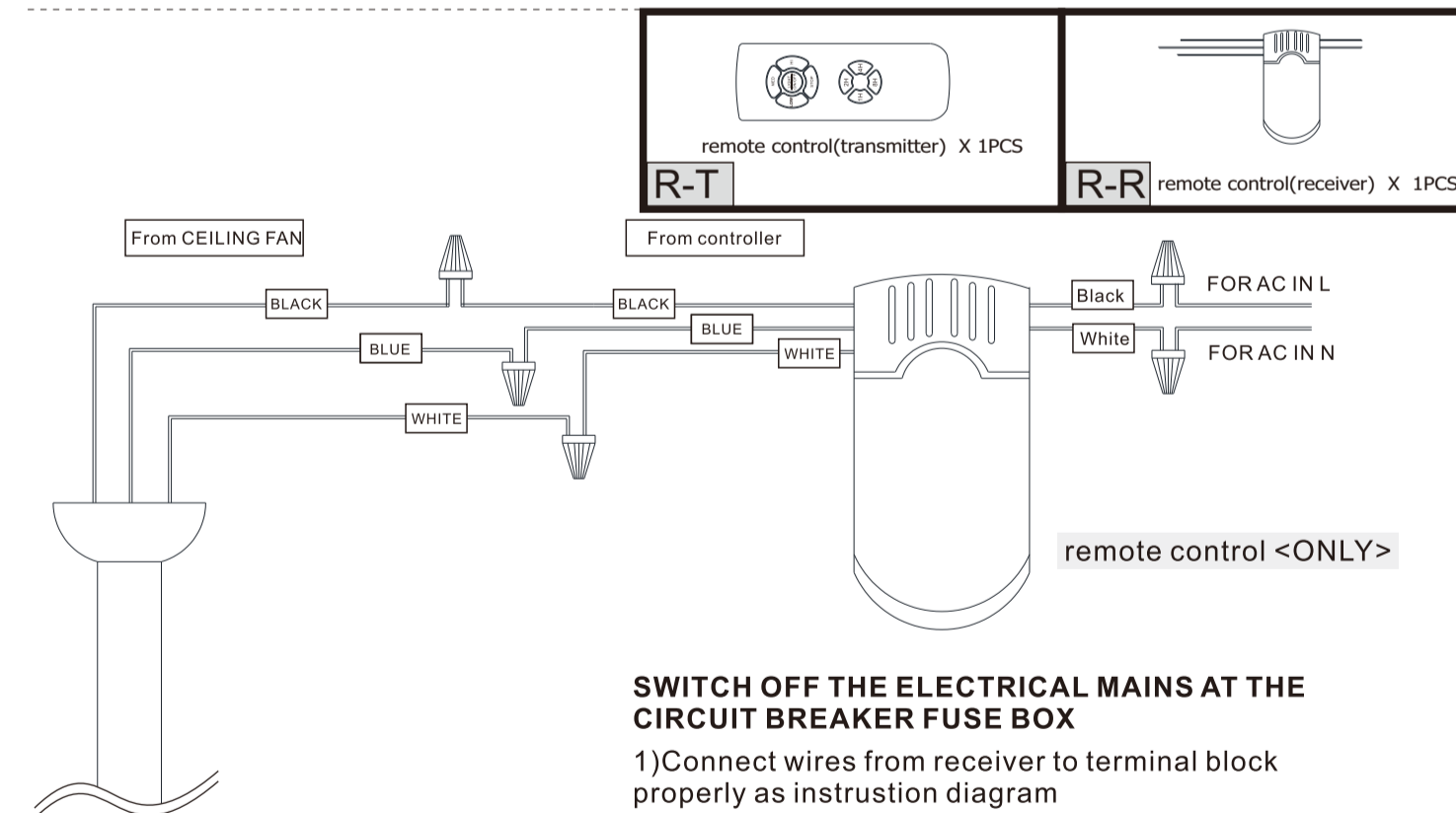
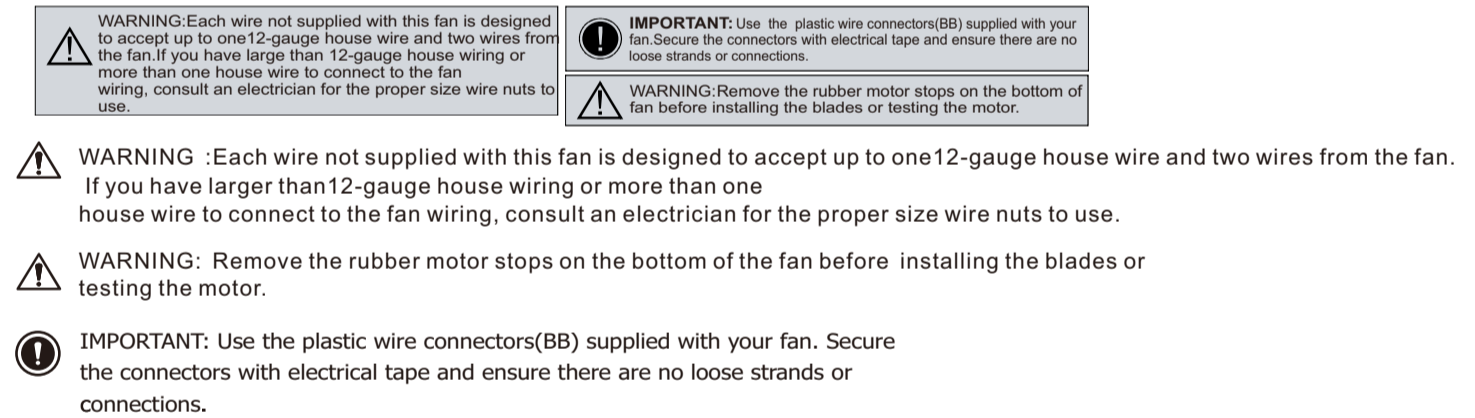
#### Hang the fan



#### Install canopy

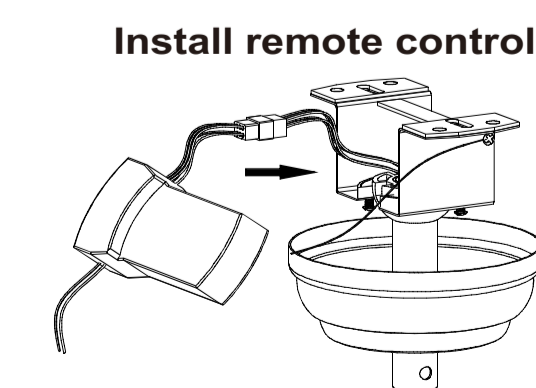


#### Making the electrical connections



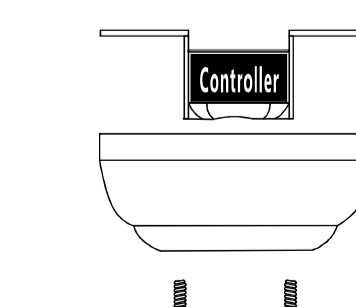
#### Assembly - Hanging the Fan(continued)

##### Preparing for mounting



1. Carefully push the canopy to the bottom of the mounting bracket, make two sliding holes aligned to the two prominent screws on the mounting bracket, and then turn clockwise until tight.  
 2. Push the canopy ring to the bottom of the canopy, slide the inner holes aligned to the two prominent screws on the mounting bracket again, and turn the canopy ring clockwise until tight.

##### Preparing for mounting



1. Remove the mounting bracket from the canopy by loosening the two canopy screws located in the L shaped slots.  
 2. Remove and save the two canopy screws in the round holes. This will enable you to remove the mounting bracket

#### Use of remote control

