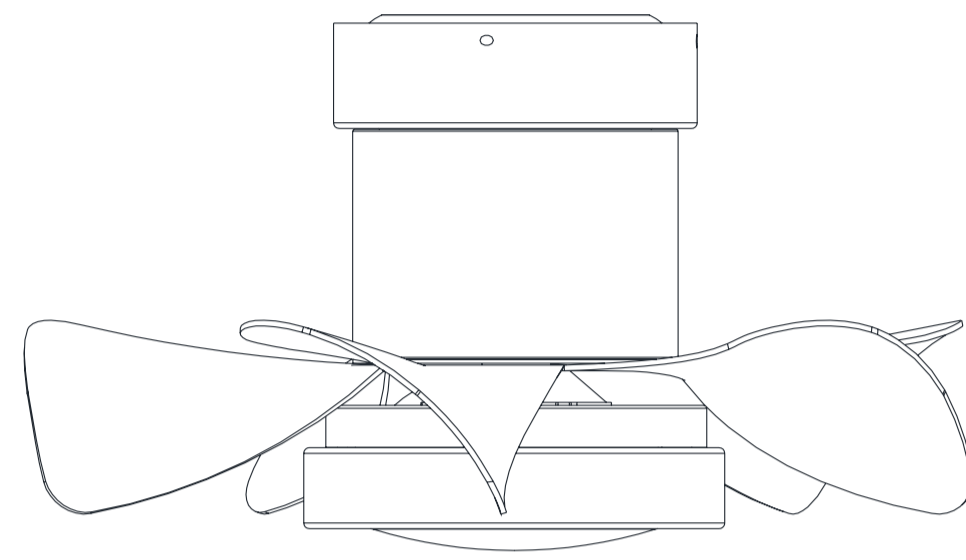
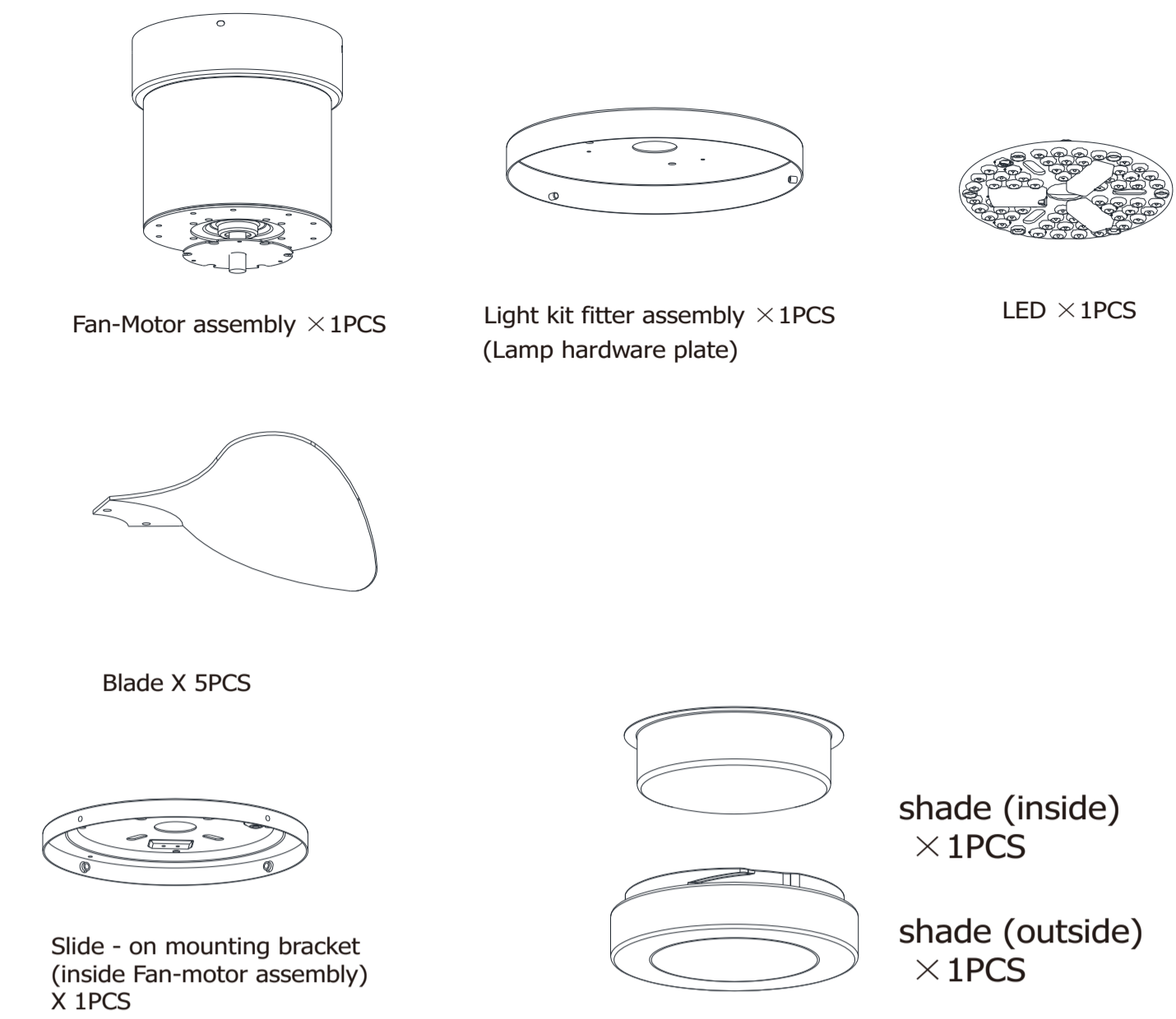


DEROCATE CEILING FAN

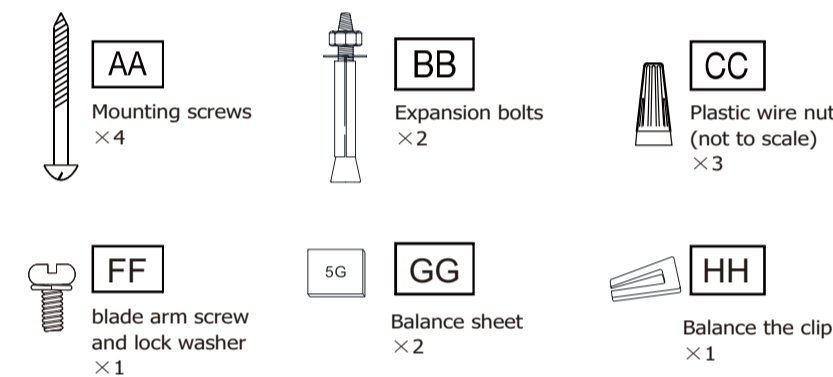
User Manual



Pre-Installation

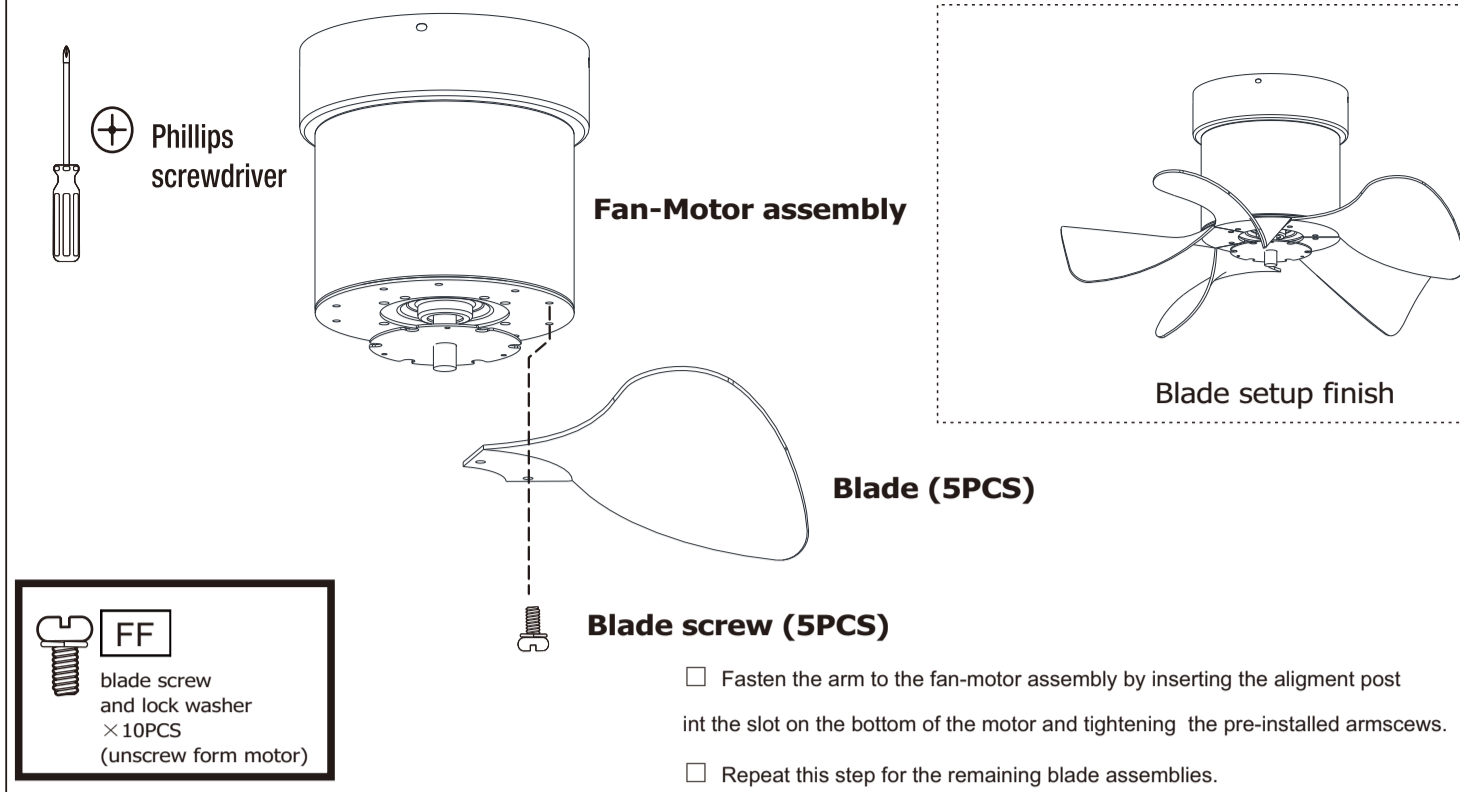


Parts Kit

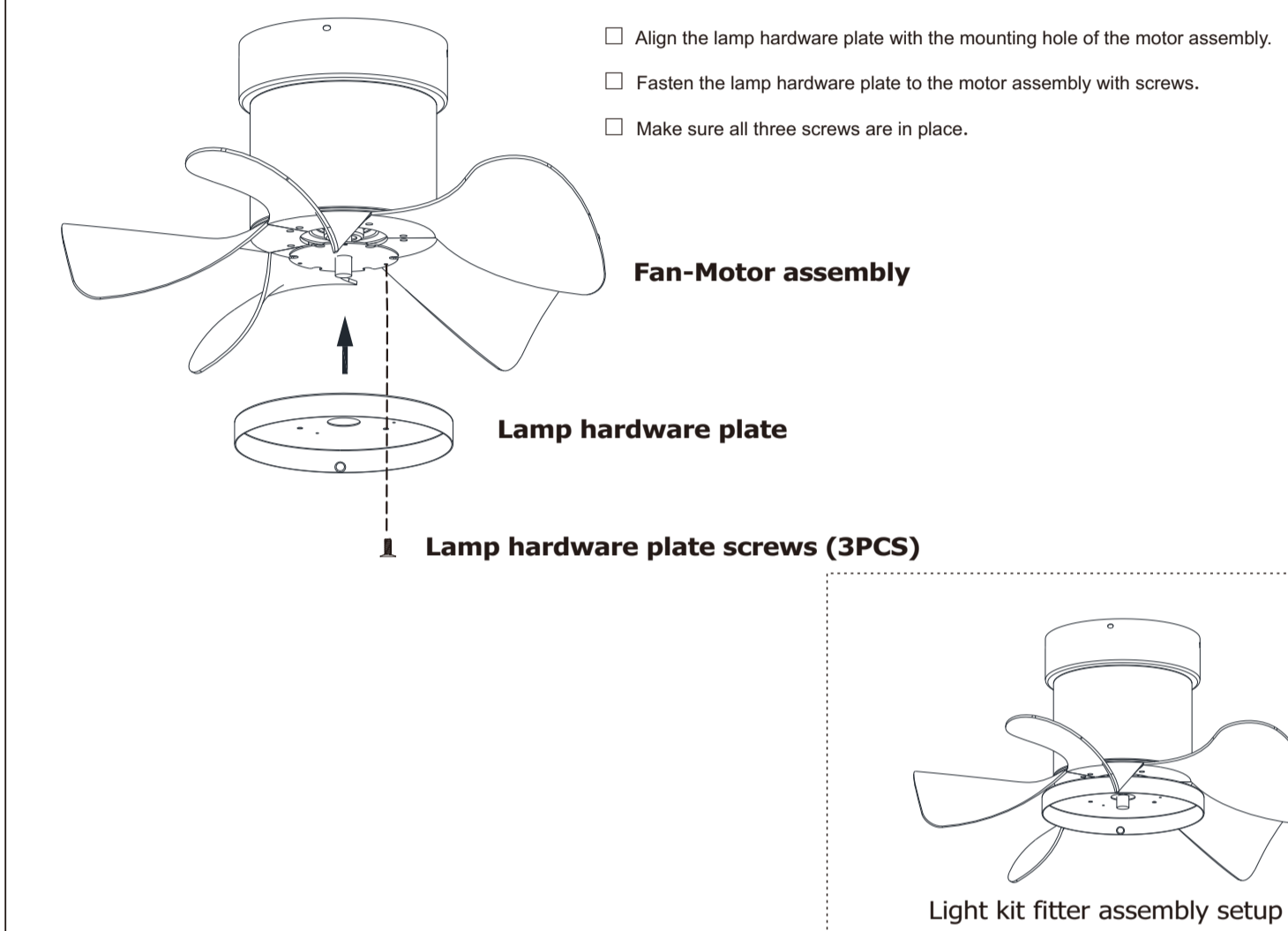


NOTE Hardware not shown to actual size.

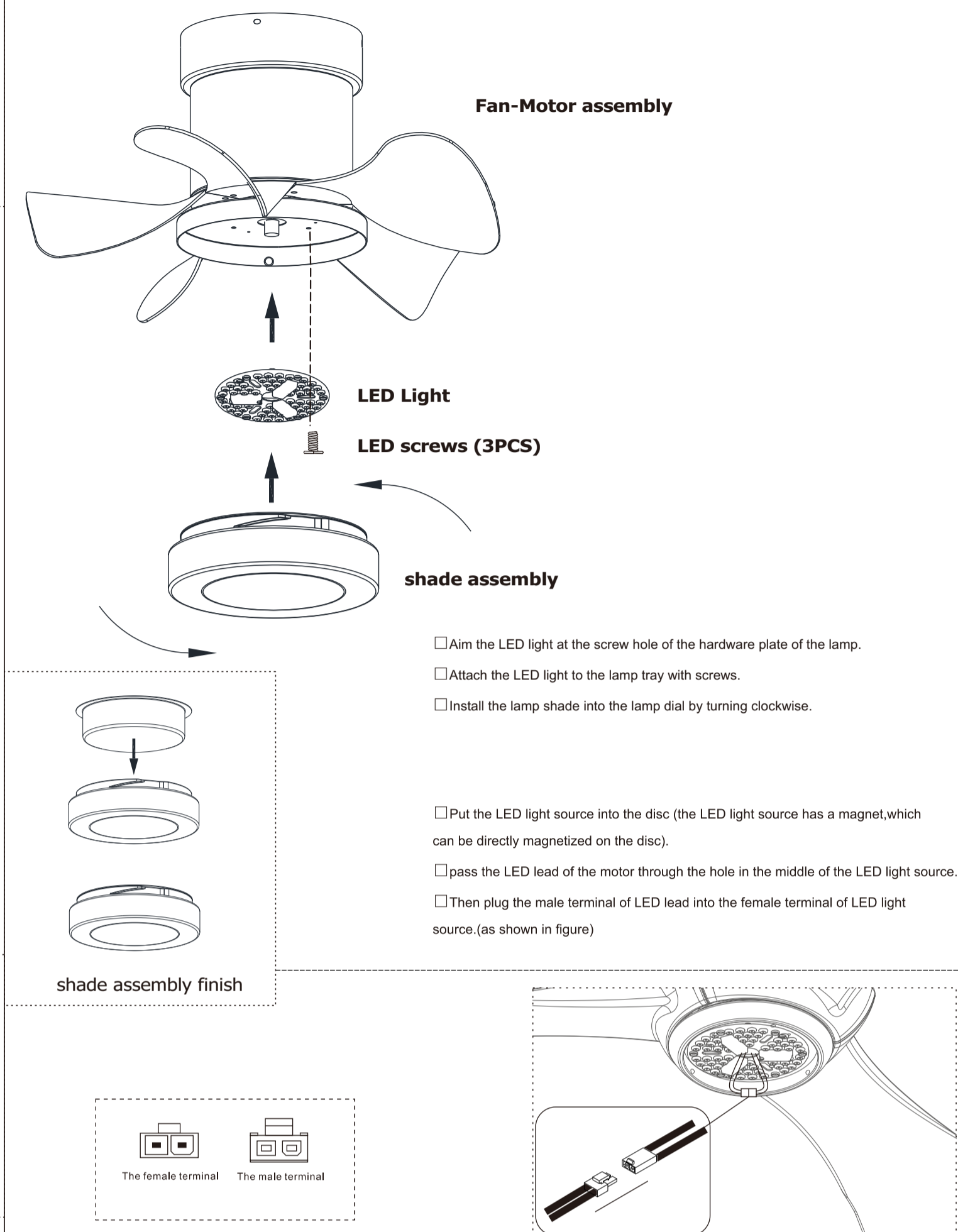
Fastening the blade arms to the motor



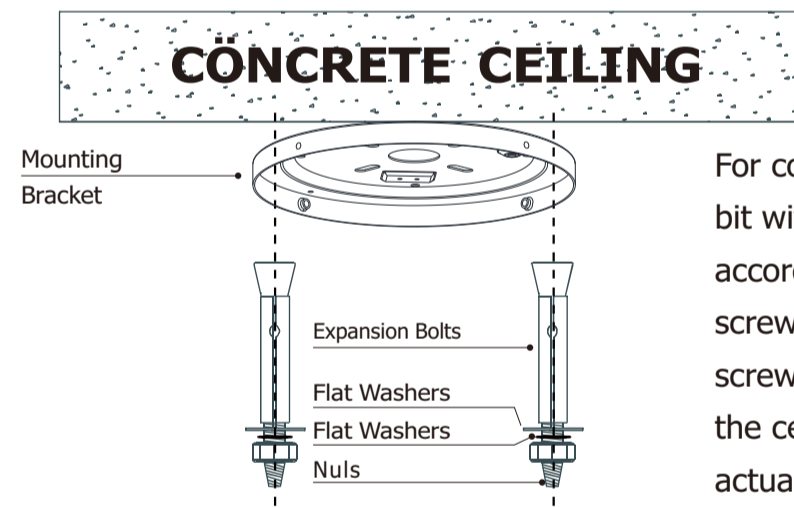
Assembly-Attaching the Lights



Assembly-Attaching the Lights



Installation of the hanging bracket

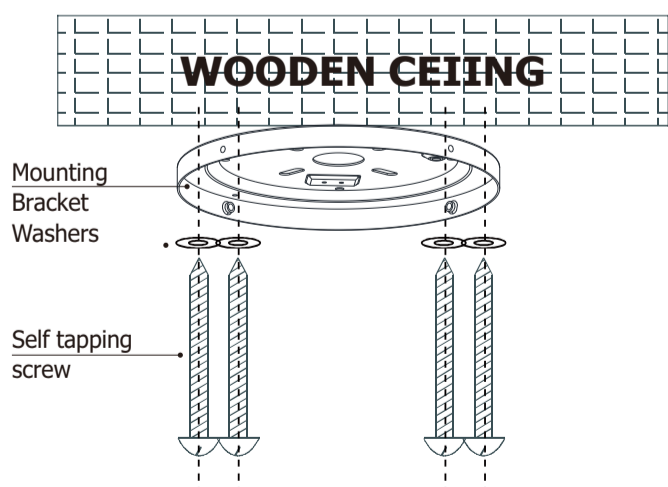


For concrete ceiling, use the percussion bit with diameter 8mm to drill holes according to the length of expansion screws. Then use the attached expansion screws to fix the hanging bracket onto the ceiling (selection is made according to actual requirements of the customers).

STEP 1 A-CONCRETE CEILING

SWITCH OFF THE ELECTRICAL MAINS AT THE CIRCUIT BREAKER FUSE BOX.
1) Use the Mounting Bracket as a guide, mark the spots where the 4 Expansion Bolts will be drilled.
2) Remove the Mounting Bracket, drill 2 holes and insert 2 Expansion Bolts into the concrete ceiling, install the mounting bracket and secure with Flat Washers, Spring Washers and Nuts.

IMPORTANT: SCREWS & NUTS MUST BE TIGHTENED TILL SNUG



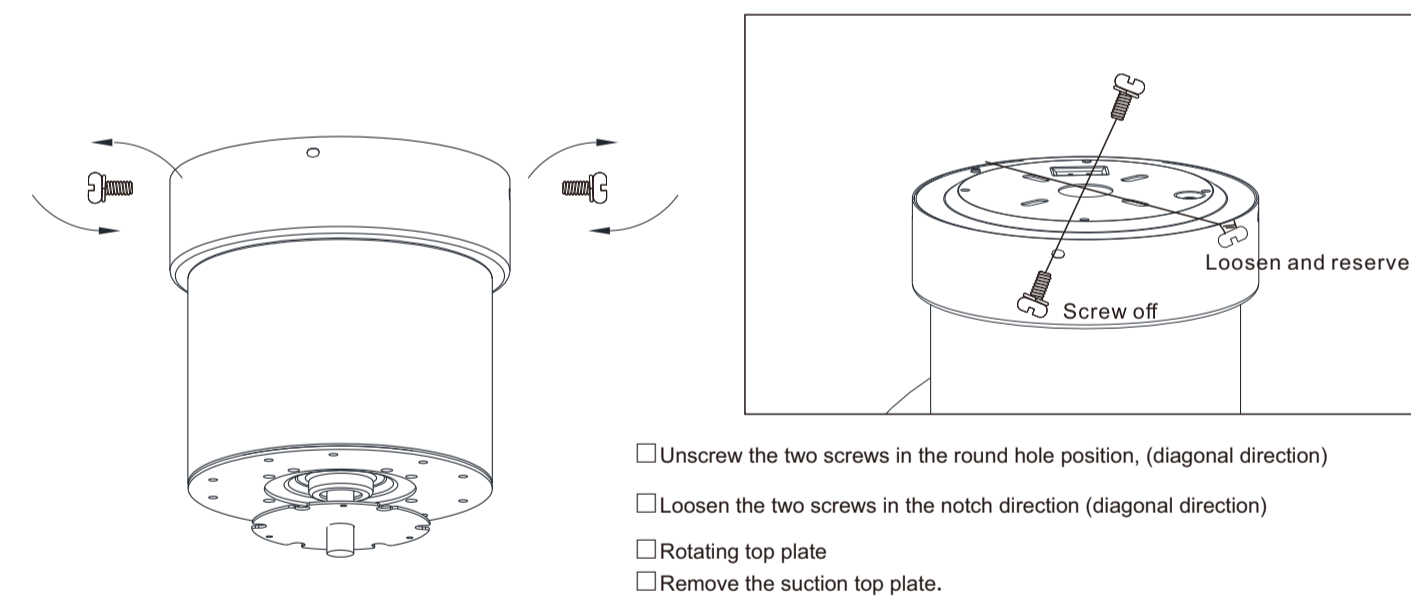
For wooden ceiling, use wood screw to drill on the wooden beam or the "junction box" to fix the hanging bracket (selection is made according to actual requirements of the customers).

STEP 2 A-WOODEN CEILING

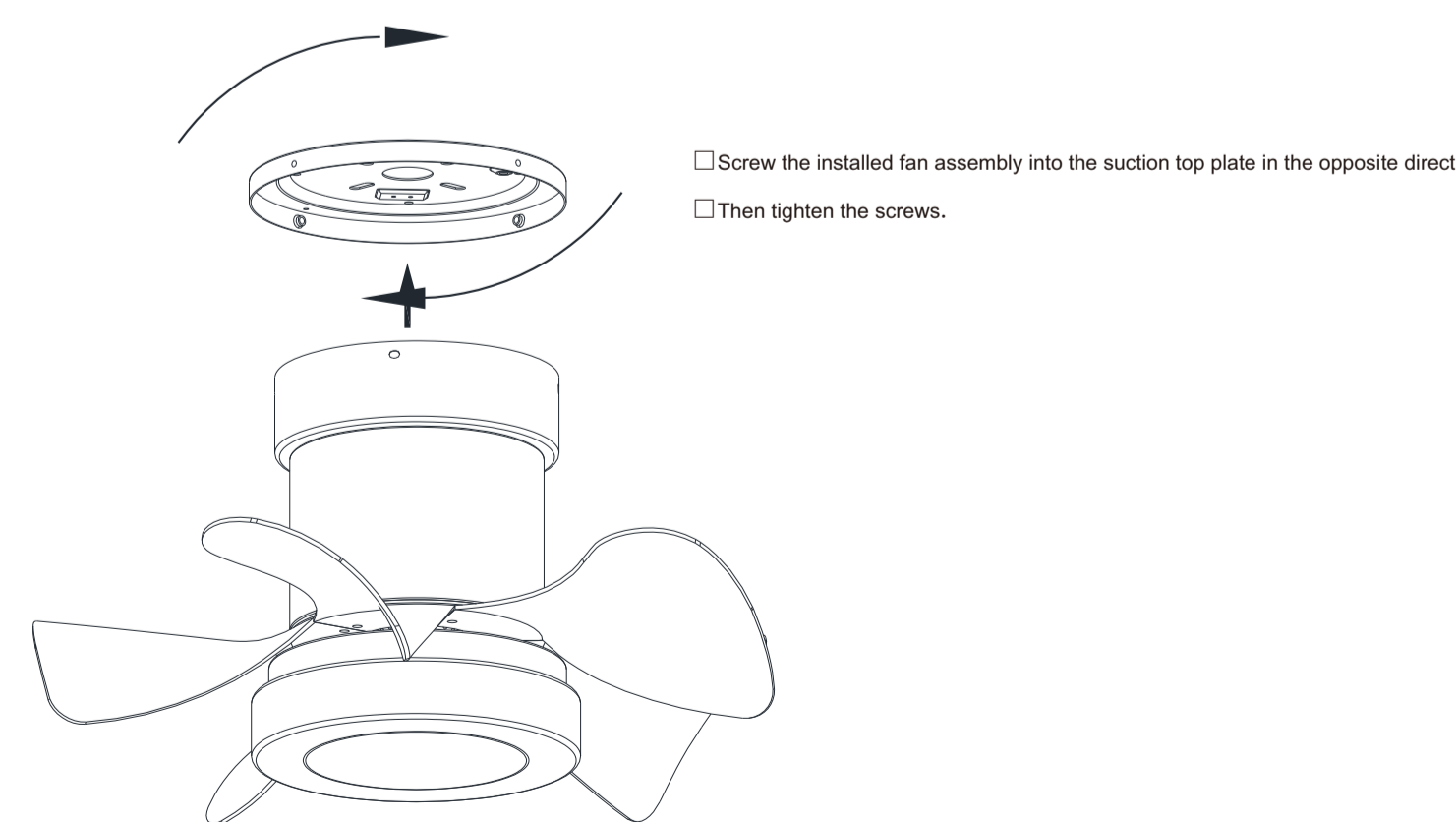
SWITCH OFF THE ELECTRICAL MAINS AT THE CIRCUIT BREAKER FUSE BOX.

1) Use the Mounting Bracket as a guide, mark the spots where the 4 Self Tapping Screws will be drilled.
2) Remove the Mounting Bracket, drill 4 holes for 3MM diameter, install the mounting bracket onto wooden ceiling with the 4 Self Tapping Screws & Washers

Install downrod assembly

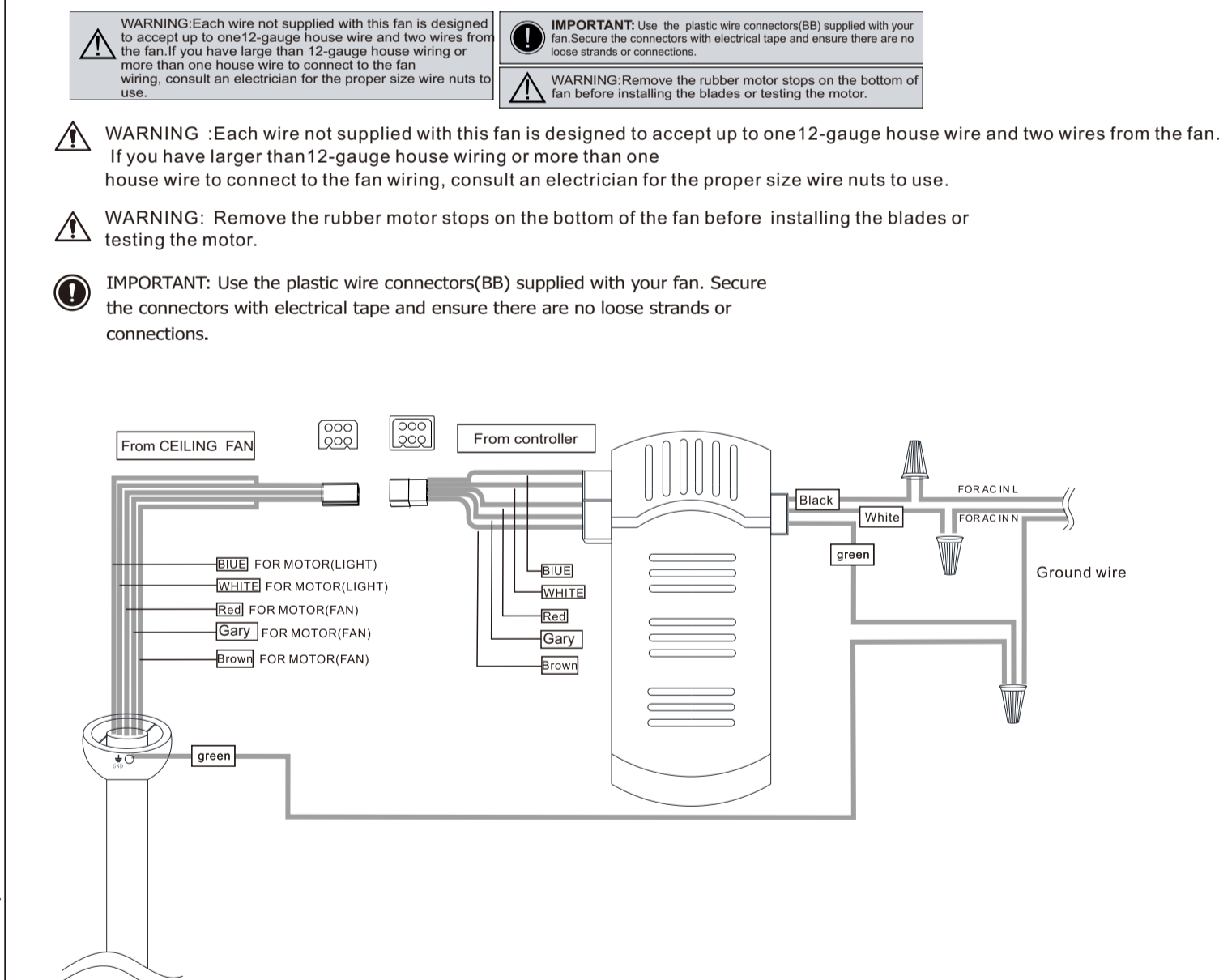


- Unscrew the two screws in the round hole position, (diagonal direction)
- Loosen the two screws in the notch direction (diagonal direction)
- Rotating top plate
- Remove the suction top plate.



- Screw the installed fan assembly into the suction top plate in the opposite direction.
- Then tighten the screws.

Making the electrical connections



1. Raise the fan and place the hanger ball onto mounting bracket.
2. Rotate the fan until the notch on hanger ball snapped into the slot on mounting bracket and sits firmly.
NOTE: THE DOWNROD AND HANGER BALL SHOULD NOT ROTATE IF THIS STEP IS DONE CORRECTLY.
3. Loosen the safety wire clamp.
4. Route the safety wire through the side fan hole on mounting bracket, and retighten the safety wire with safety wire clamp.
5. Connect the wire connector plugs correctly.
The wire connector plugs design with fool proof device, please don't force to plug. Otherwise it may affect the normal use of the light fan or burn the fan motor.

Use of remote control

