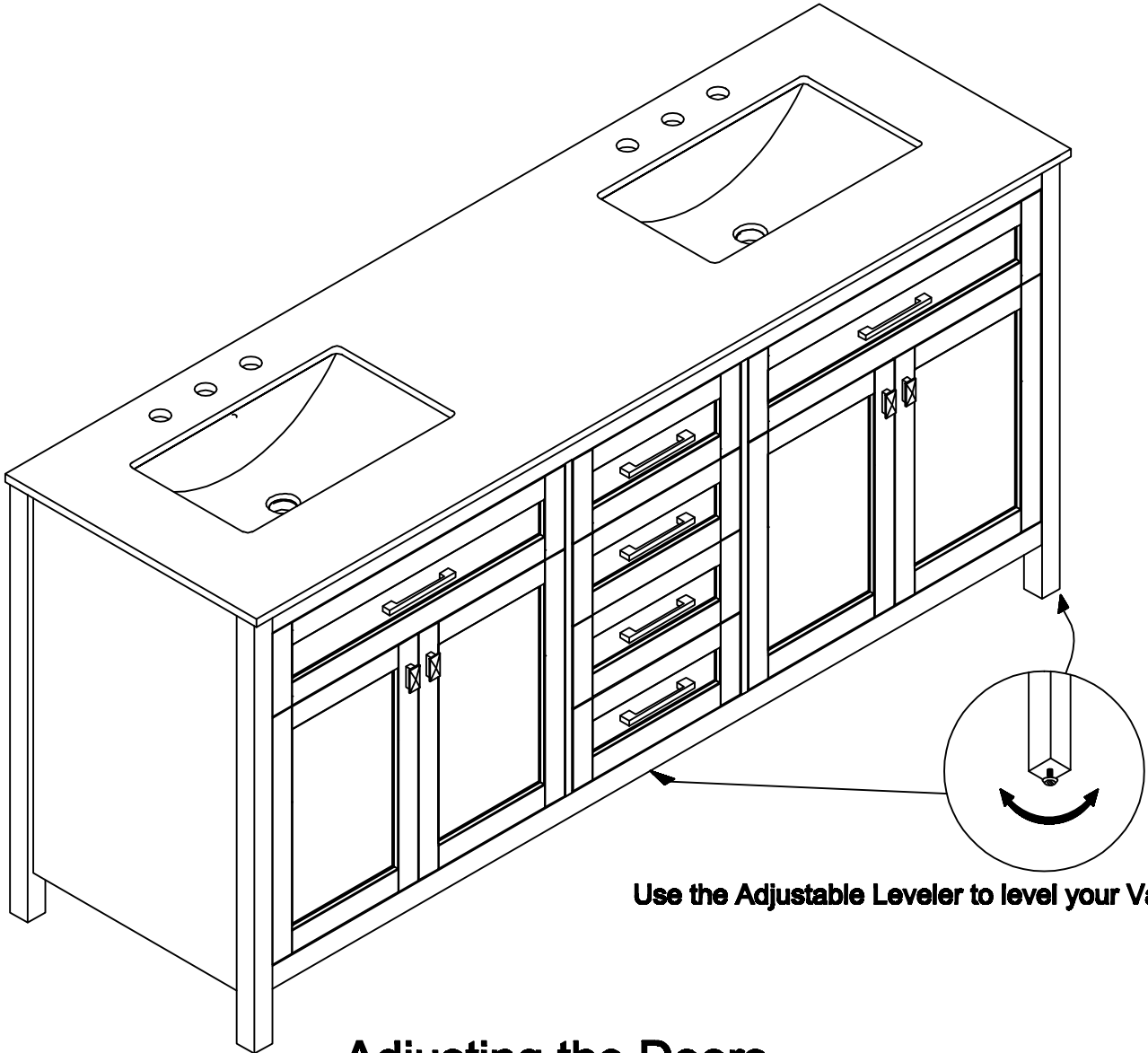


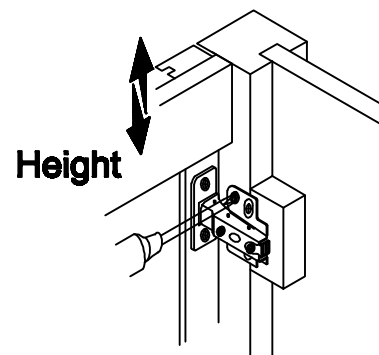
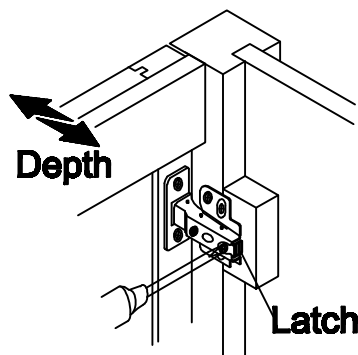
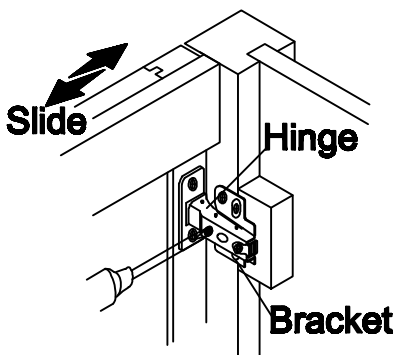
# Leveling Your Vanity



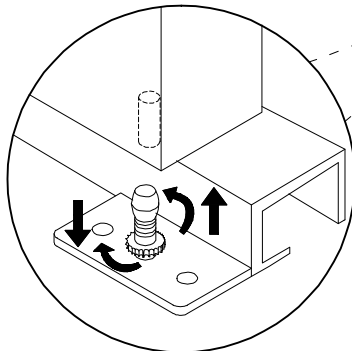
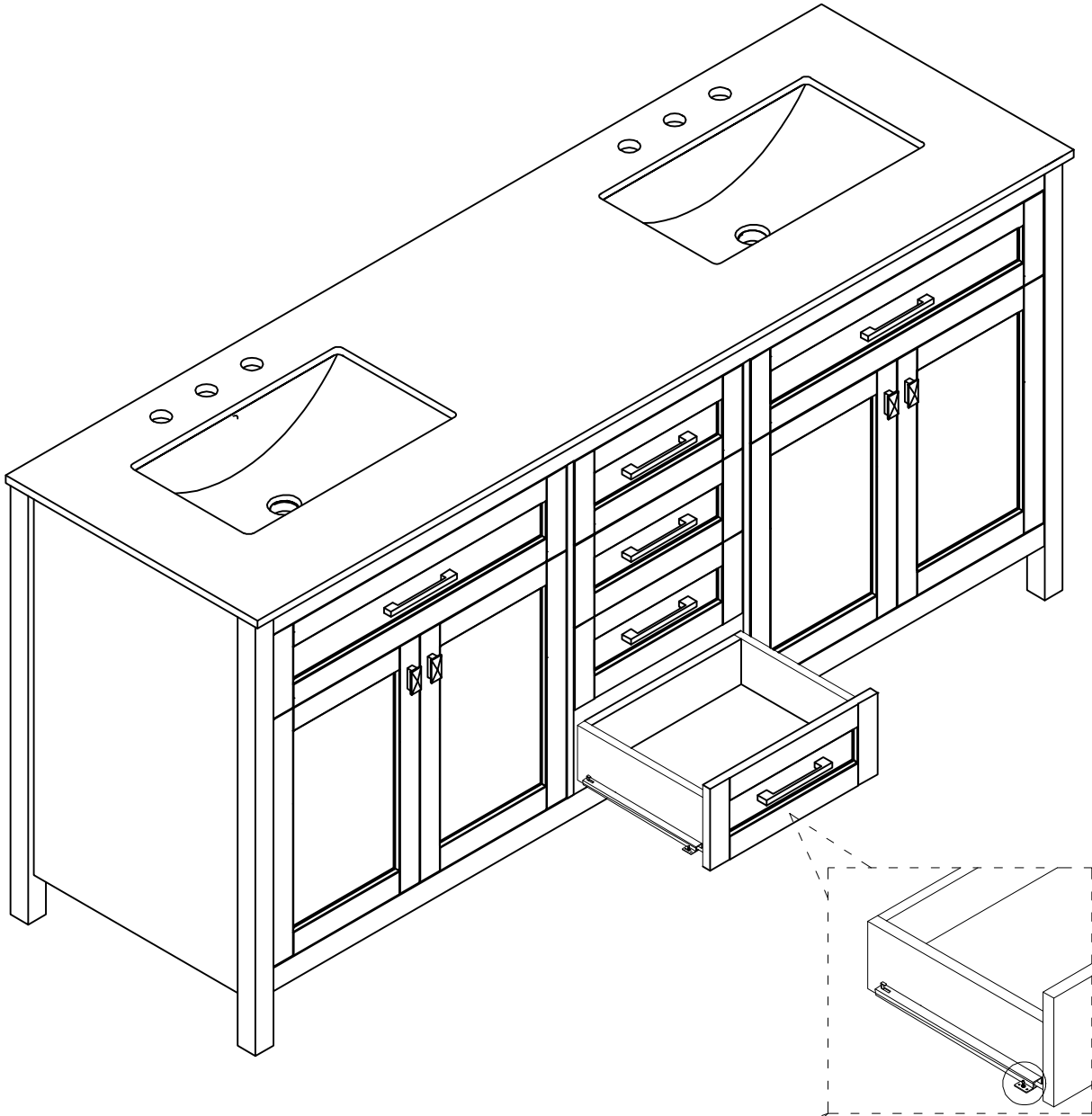
Use the Adjustable Leveler to level your Vanity

## Adjusting the Doors

Make sure the door is in the correct position, make adjustments, if necessary.



# Adjusting the drawers

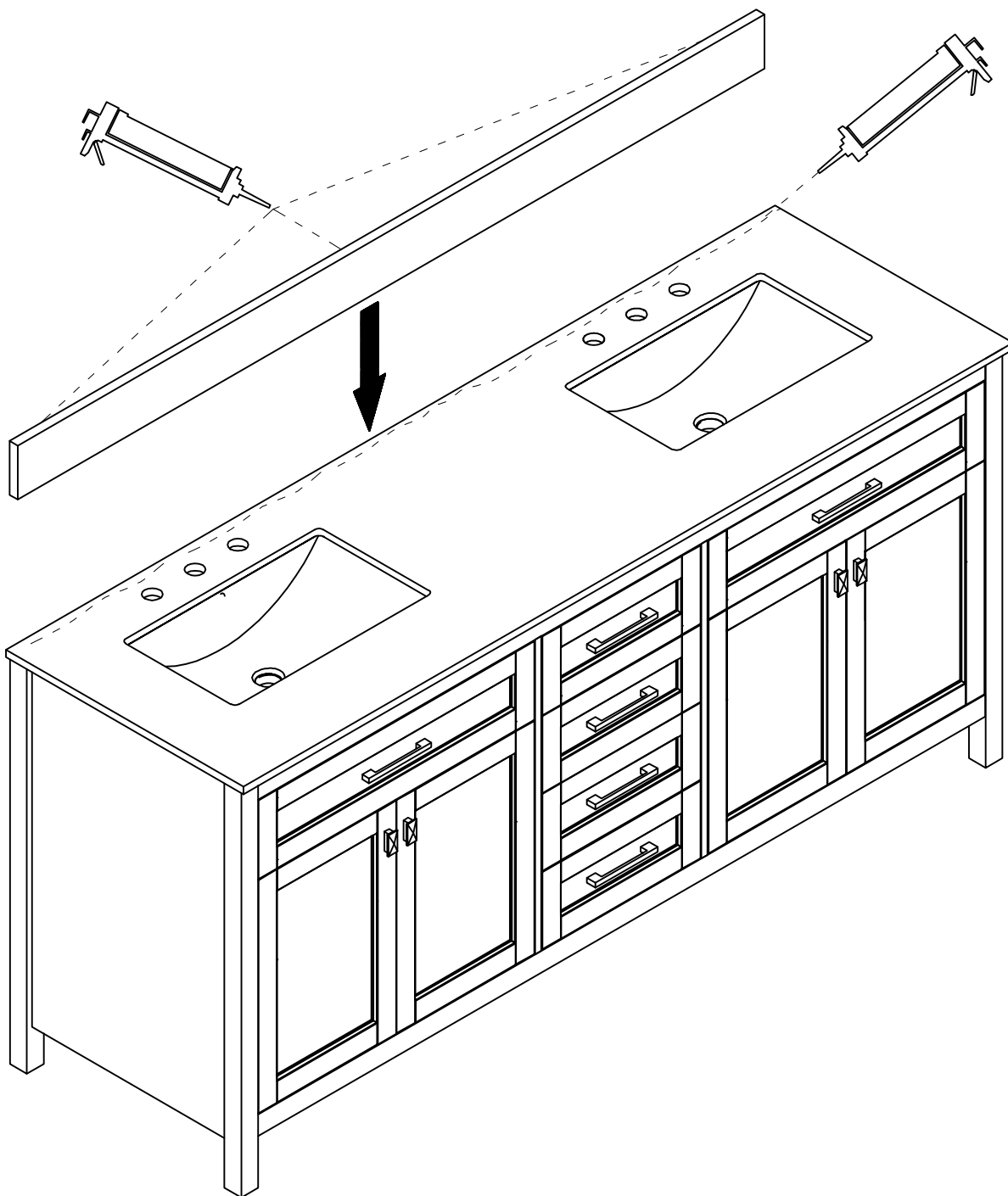


Adjust the drawers up and down

## Secure the Vanity Top and Back Splash to the Vanity

---

1. Center the Back Splash on the Basin.
2. Let the weight of the Back Splash rest on the Vanity Top to adhere to the Caulk
3. Place a bead of caulk along the top of the Back Splash and Wall



Let the Caulk set for 24 hours