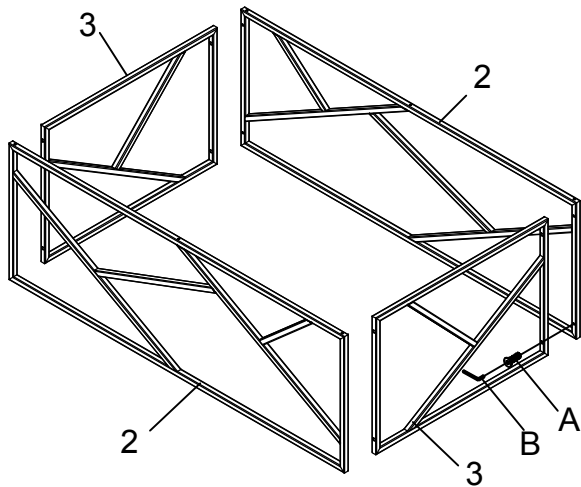
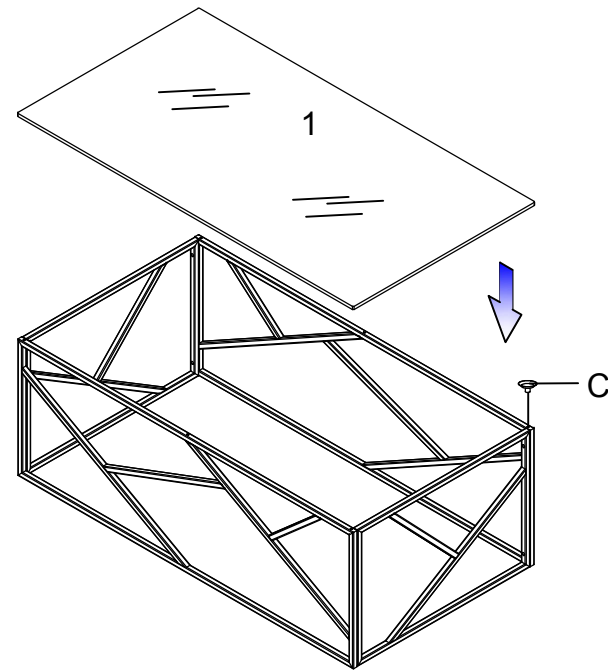


Step 1

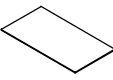







Assemble all bolts without tightening them.

Step 2



After installing the glass, level the table and tighten all the bolts at the end.

	1	2	3	A	B	C
GC6003						
	M6*25	4.0	Ø13			
	1pc	2pcs	2pcs	8pcs	1pc	6pcs