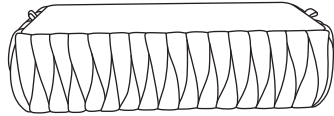


# ASSEMBLY INSTRUCTION

HFSN-678

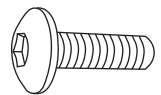
Ax1



Bx4



Cx12

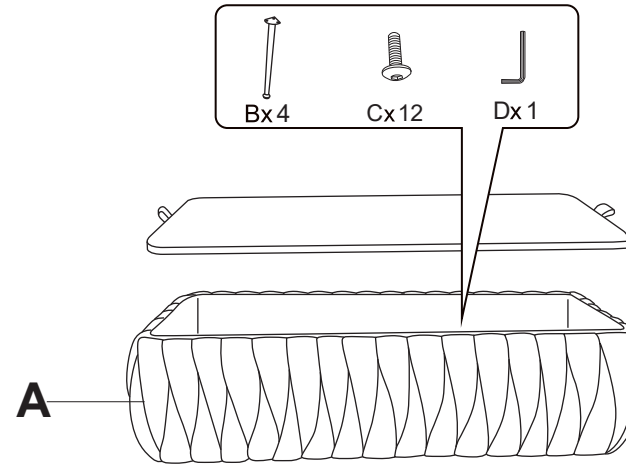


M6×16mm

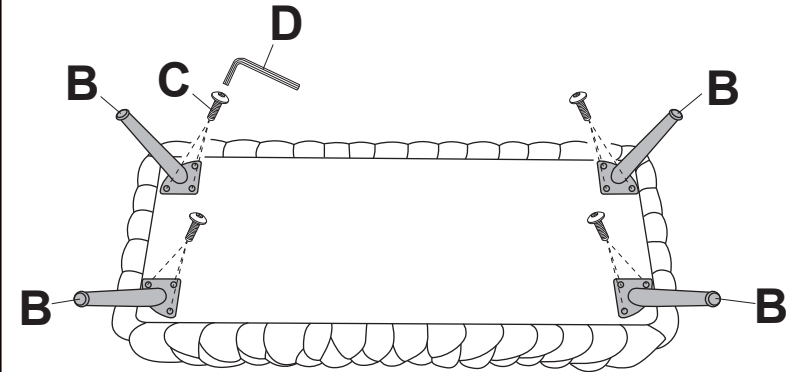
Dx1



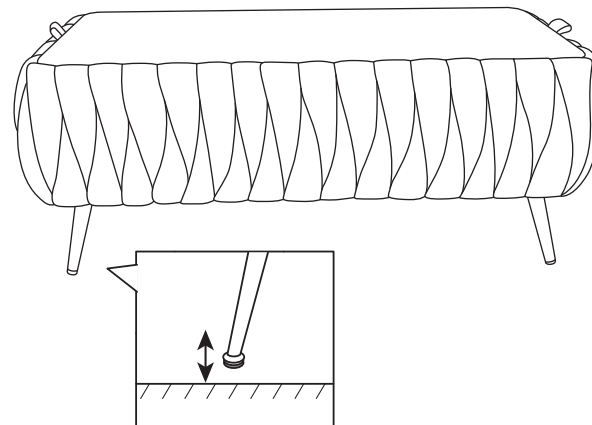
①



②



③



④

