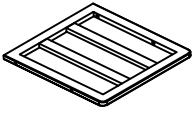
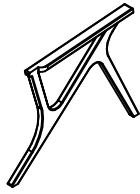


① x1



② x1



③ x2



④ x2



A x1



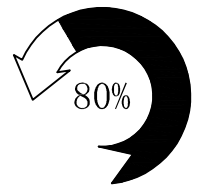
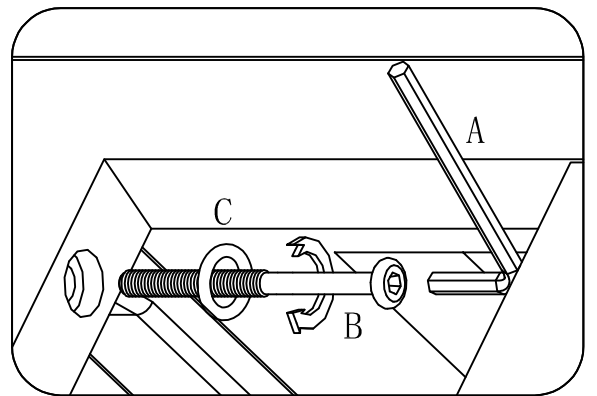
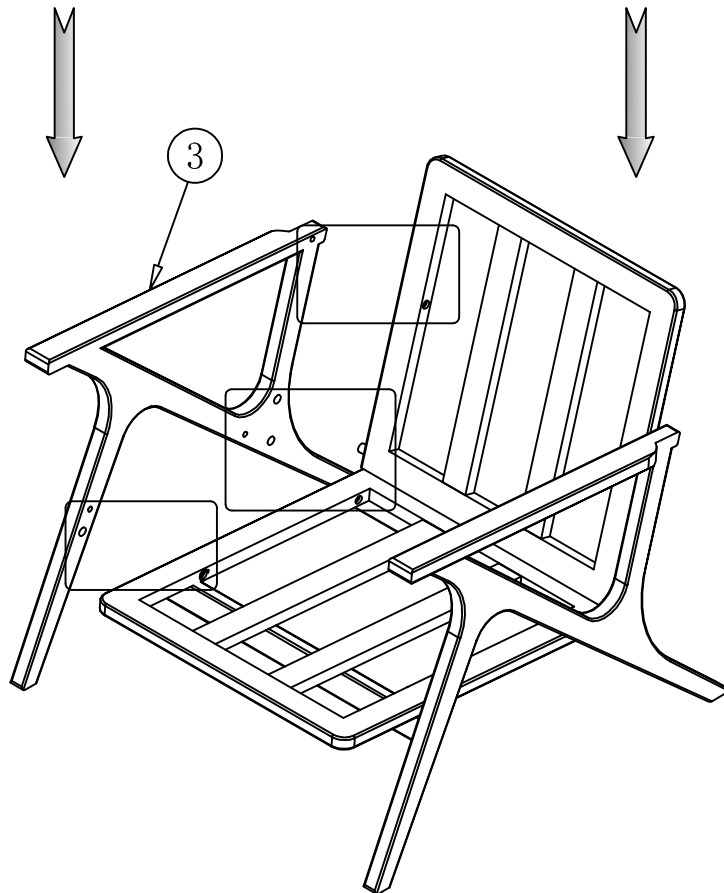
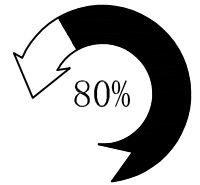
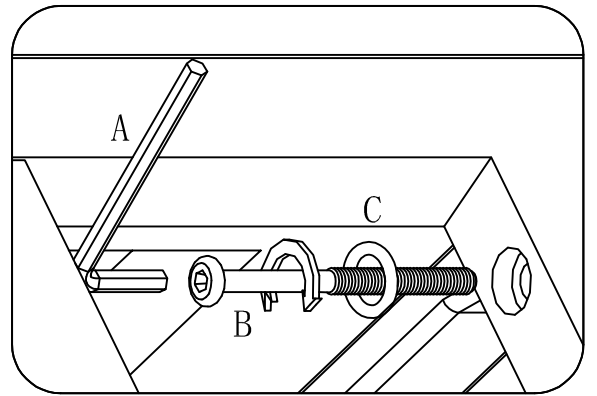
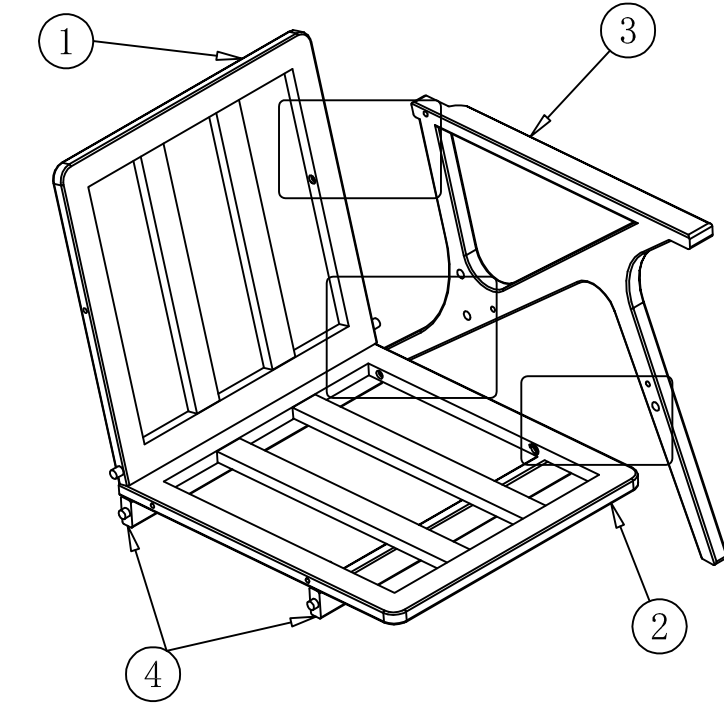
M6x60x13

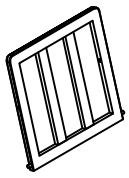
B x6



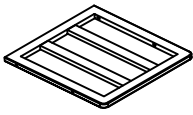
6x13x2

C x6

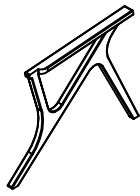




① x1



② x1



③ x2



④ x2



A x1



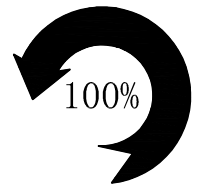
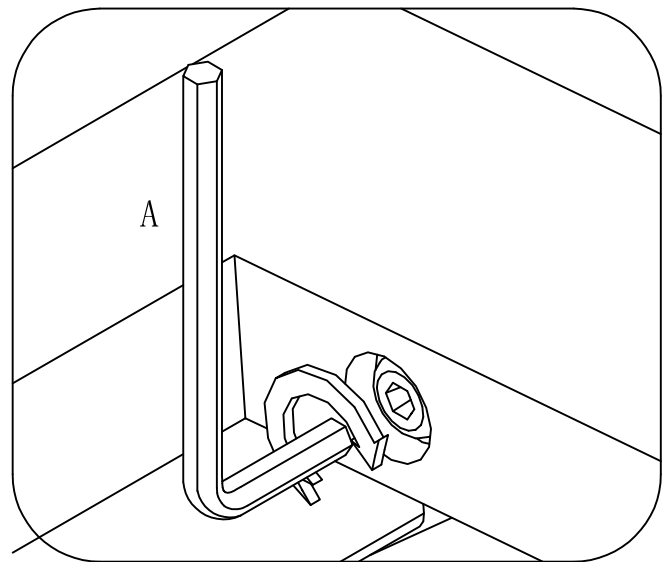
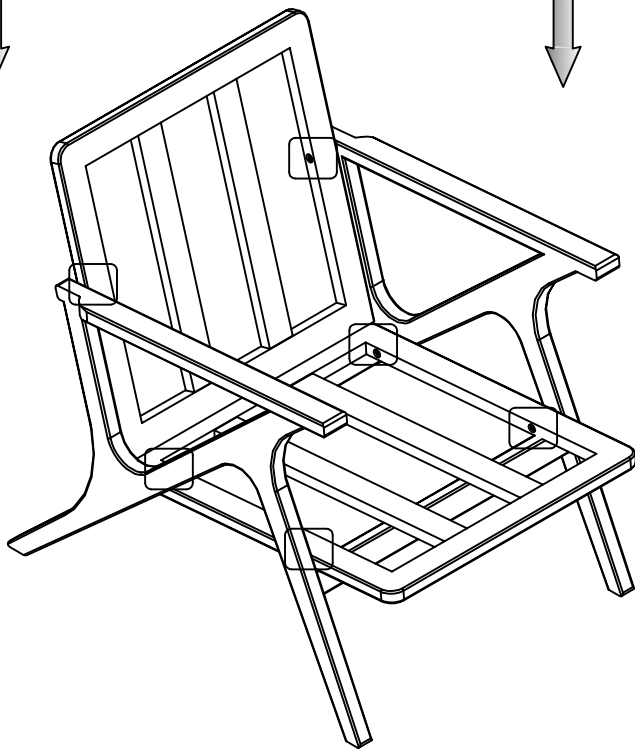
M6x60x13

B x6



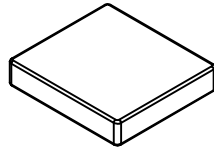
6x13x2

C x6





⑤ x1



⑥ x1

