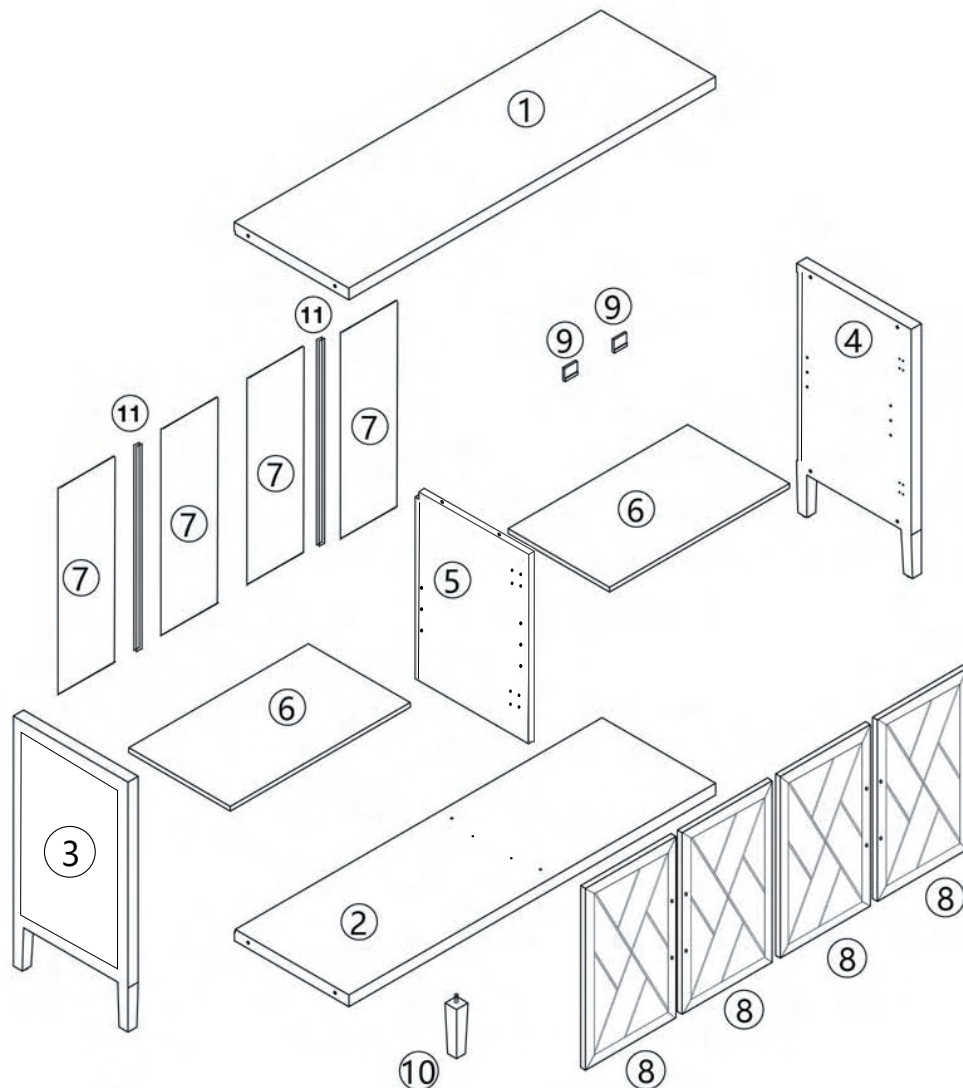
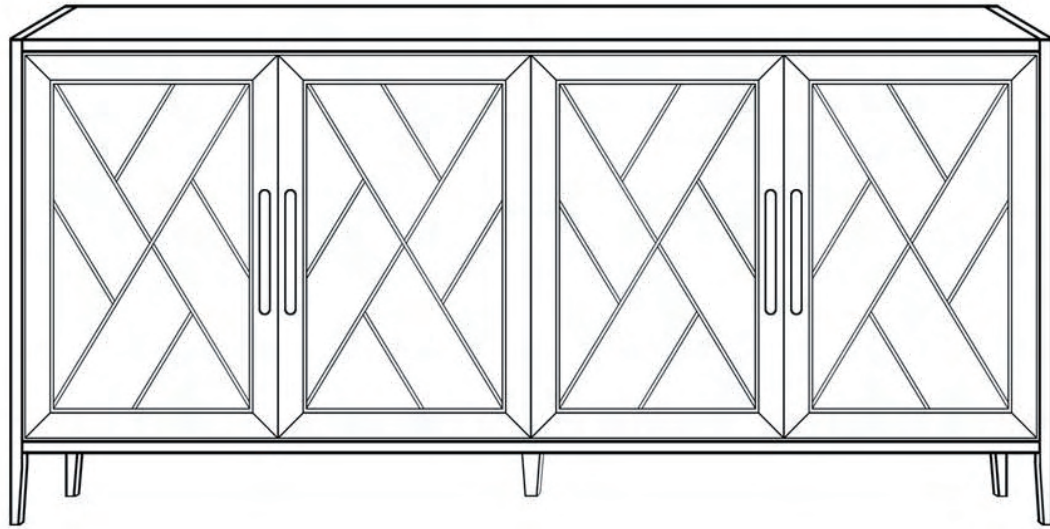


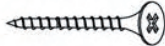
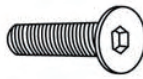

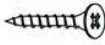
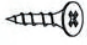

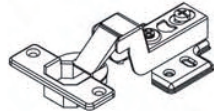


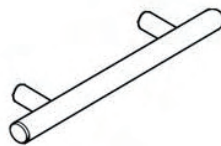

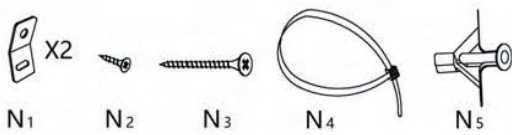

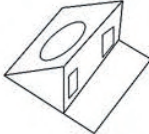
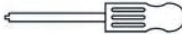
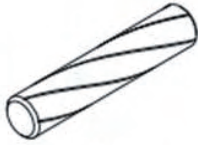
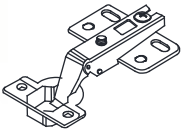
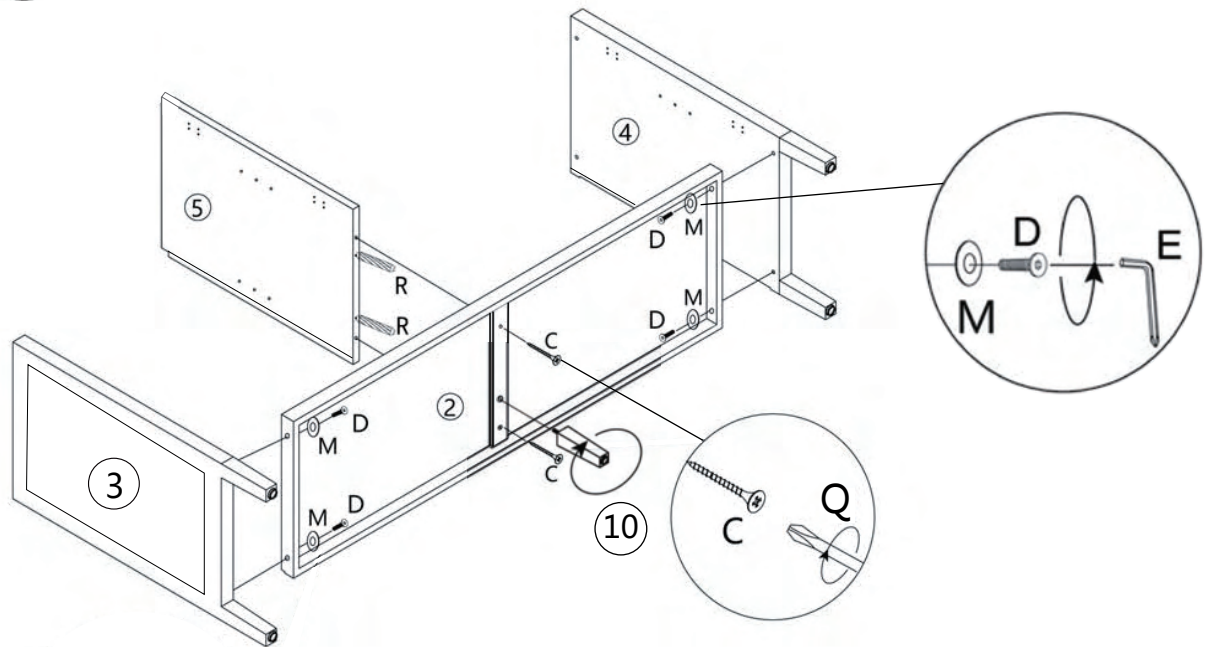





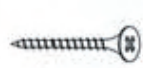


SKU:W1445135402



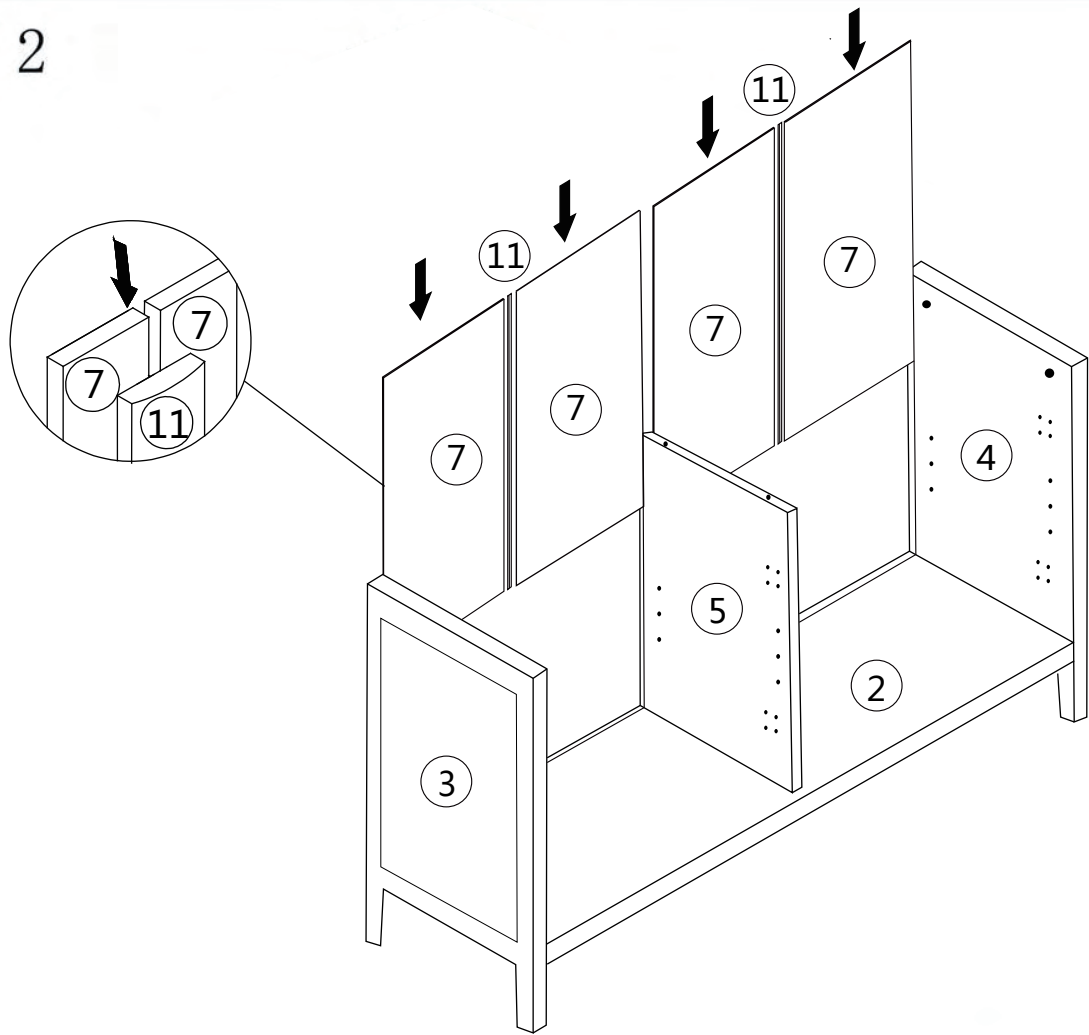
 Ø6x35mm AX2	 Ø15x12mm BX2	 Ø5x50mm CX2	 Ø8x35mm DX8	 EX1
 Ø3x20mm FX4	 Ø3x14mm GX8	 HX8	 IX4	 JX4
 Ø 4x16mm KX48	 LX4	 Ø20mm MX8	 N1 N2 N3 N4 N5 NX1	
 Ø4x28mm OX8	 PX8	 QX1	 Ø6x30mm RX2	 SX4

STEP 1

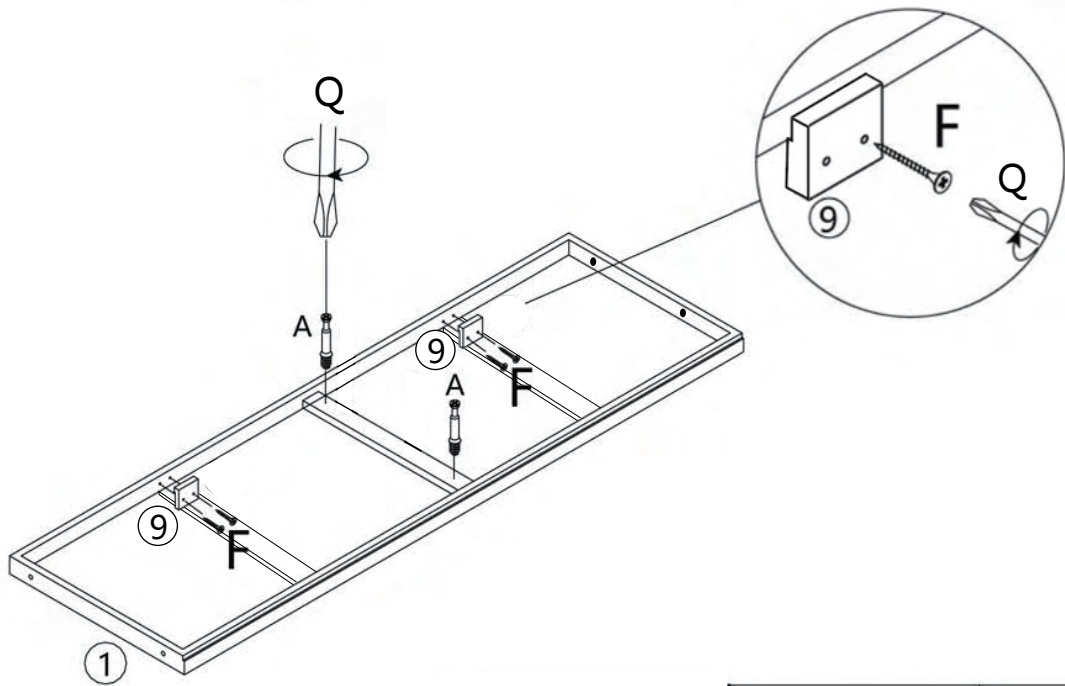



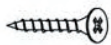
		 Ø6x30mm RX2	 Ø5x50mm CX2	 Ø20mm MX4	 Ø8x35mm DX4
---	---	---	--	---	---

STEP 2

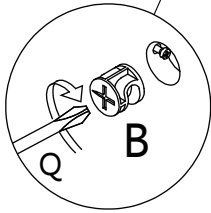
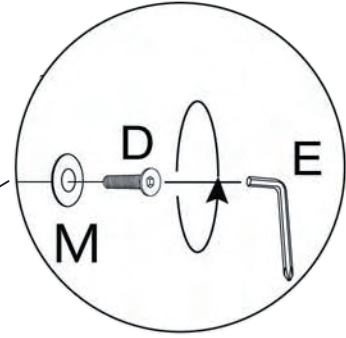
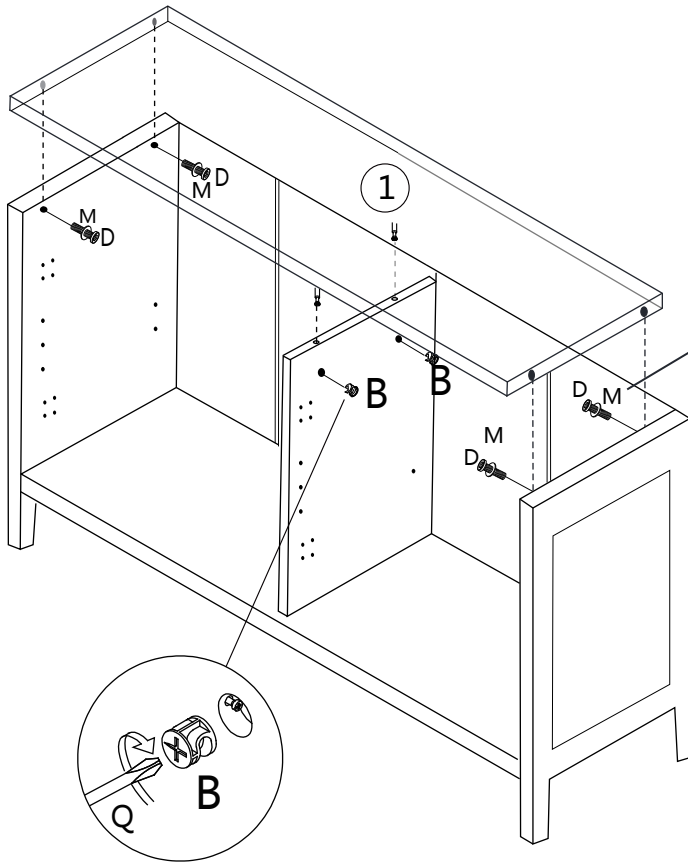





STEP 3



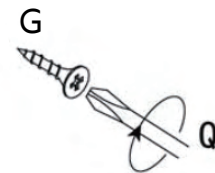
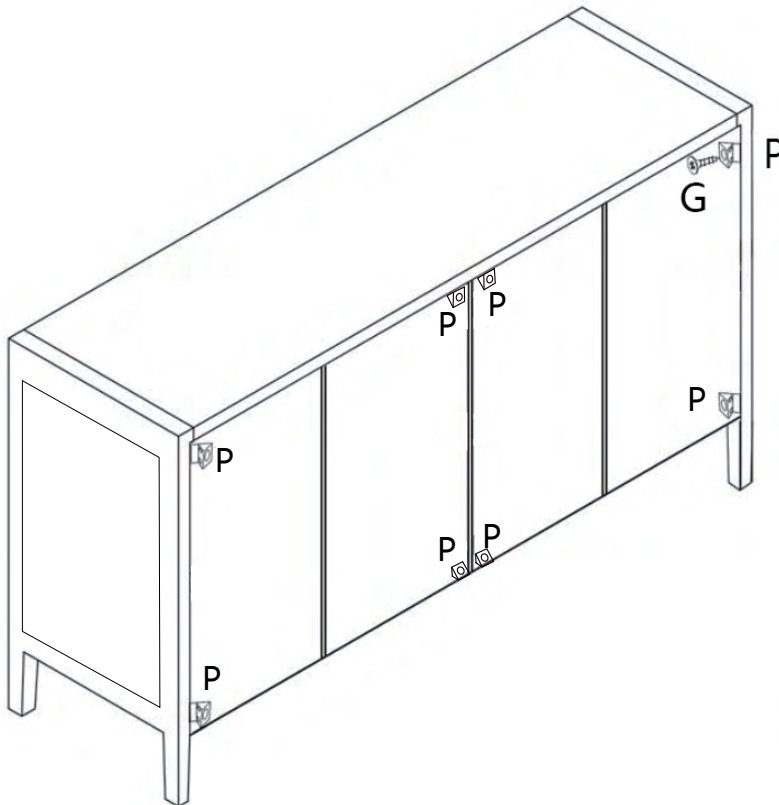
	
Ø6x35mm	Ø3x20mm
A X2	FX4

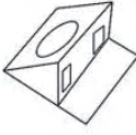

STEP 4



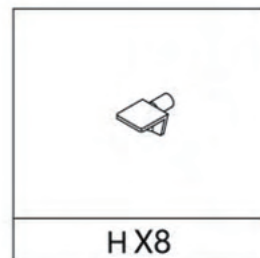
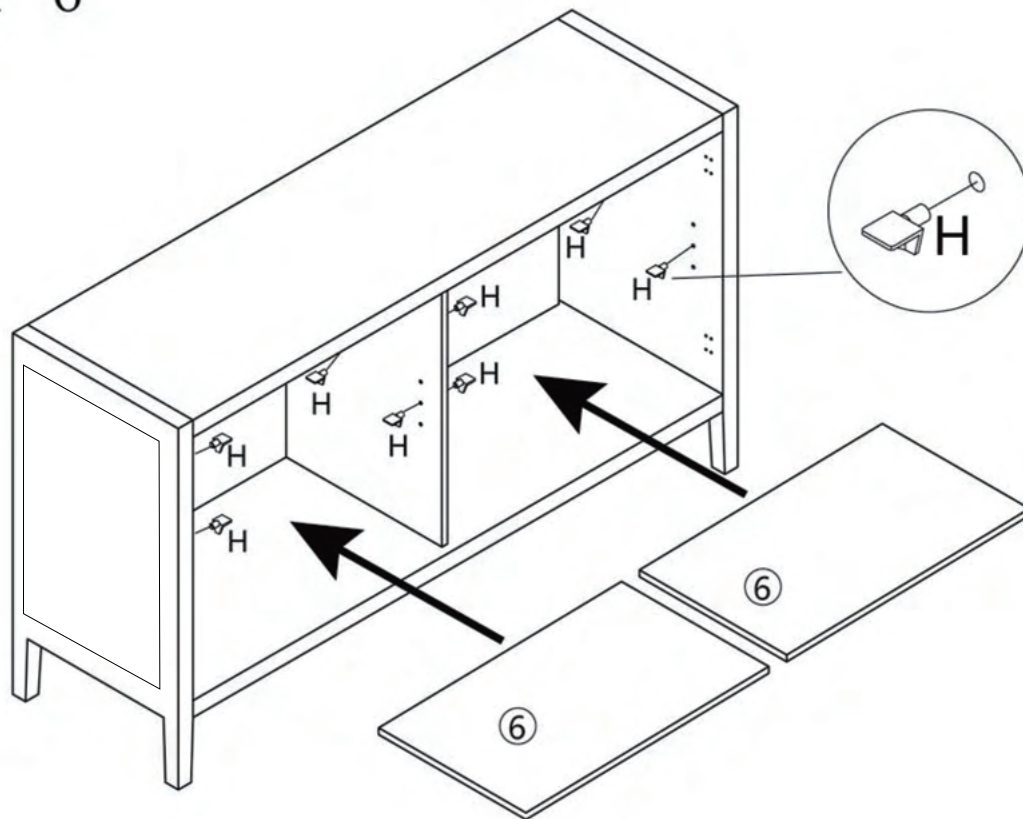
		
Ø20mm	Ø8x35mm	Ø15x12mm
MX4	DX4	BX2

STEP 5



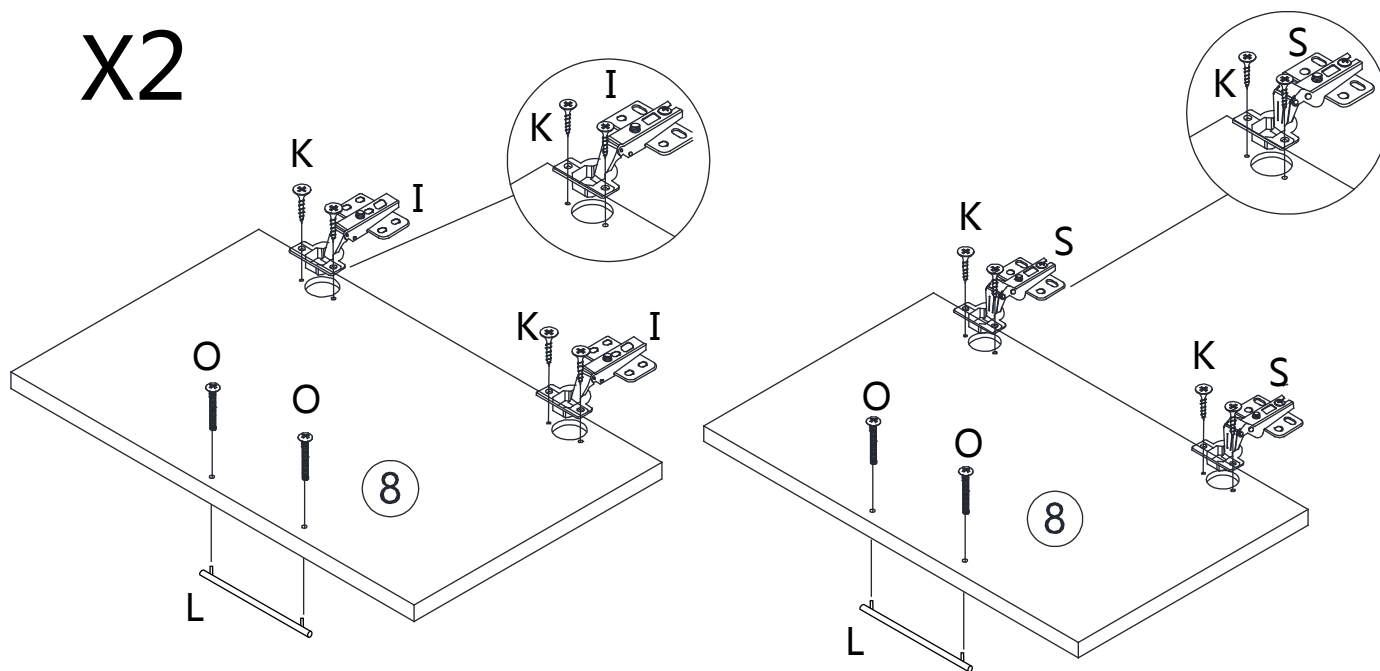
	
PX8	Ø3x14mm
	GX8


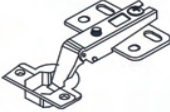



STEP 6



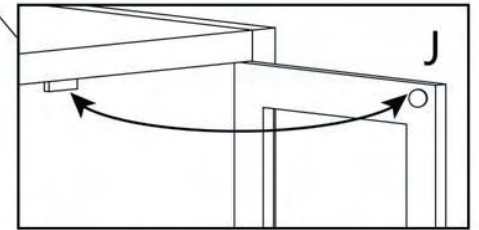
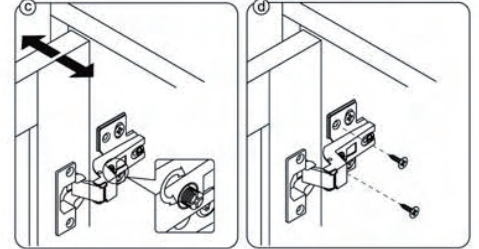
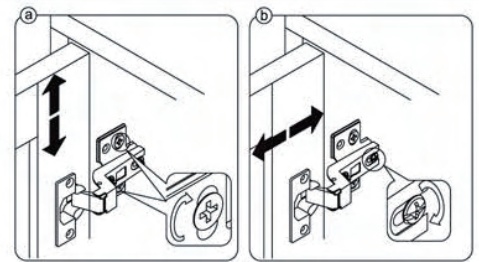
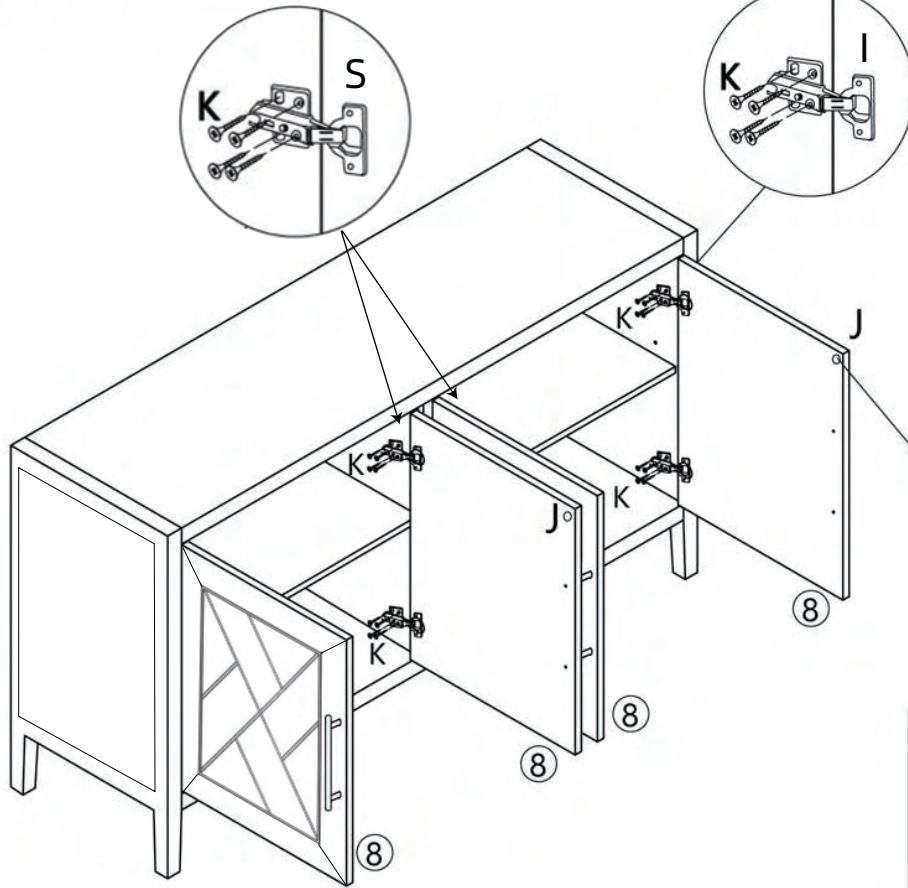
STEP 7



X2



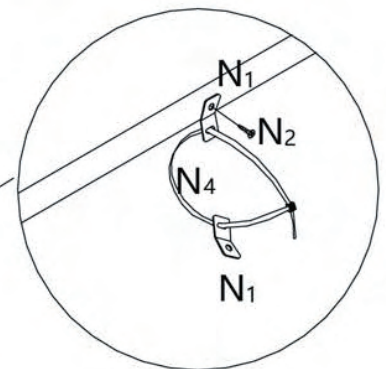
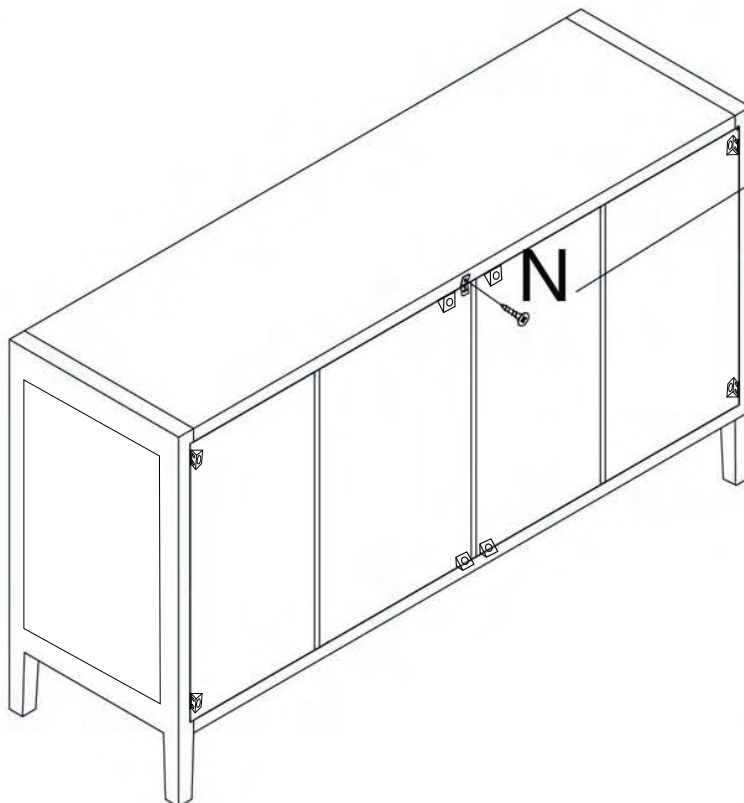
				
Ø4x28mm		Ø 4x16mm		
OX8	SX4	K X16	I X4	LX4




STEP 8



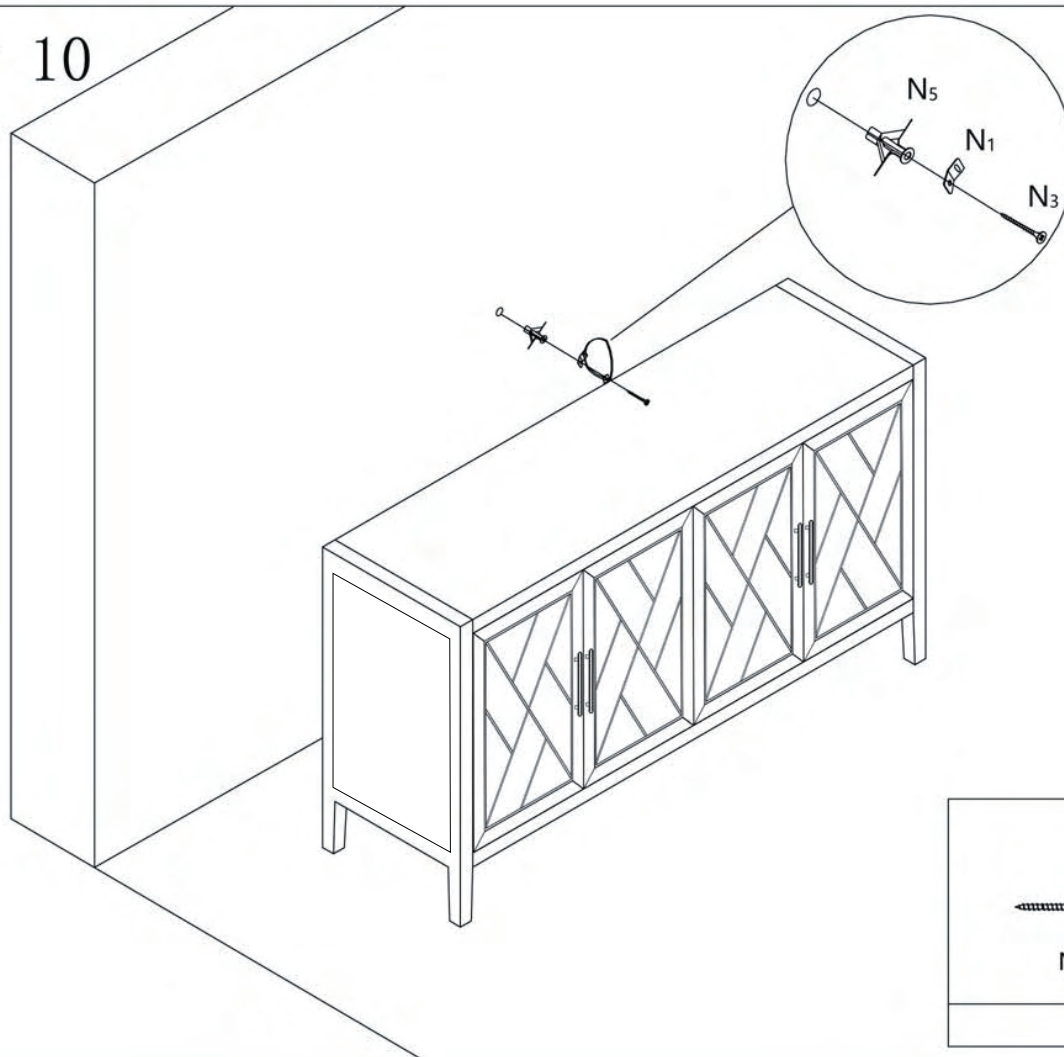
	
Ø 4x16mm	
K X32	J X4

STEP 9



 X2		
N1	N2	N4
NX1		

STEP 10

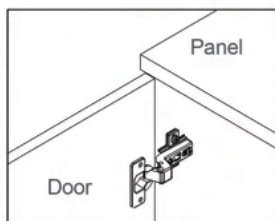


Assembly Steps(EN) / Montageschritte(DE)

HOW TO ADJUST THE HINGES TO ALIGN THE DOORS IF NEEDED.

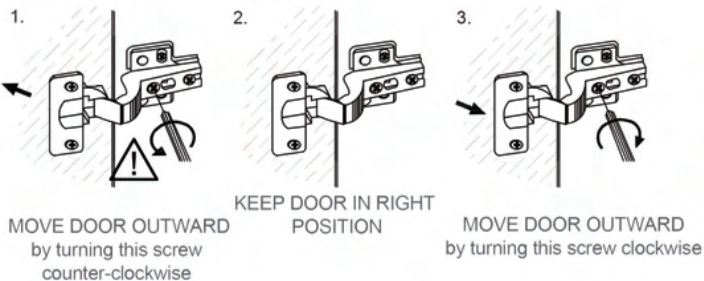
STEP 1

Open the door.



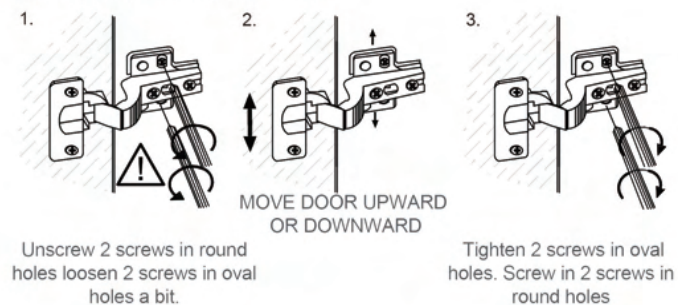
STEP 3

Adjust the flush between door panel and side panel



STEP 2

Adjust the door panels up or down



STEP 4

Adjust the Gap between door panel and side panel

