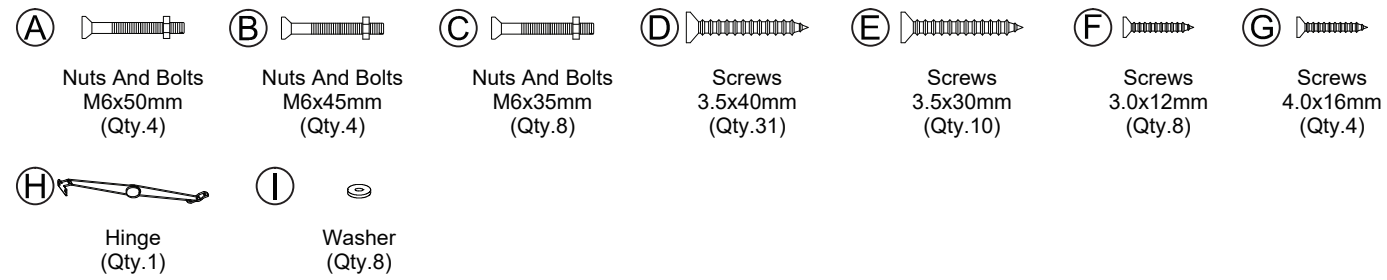
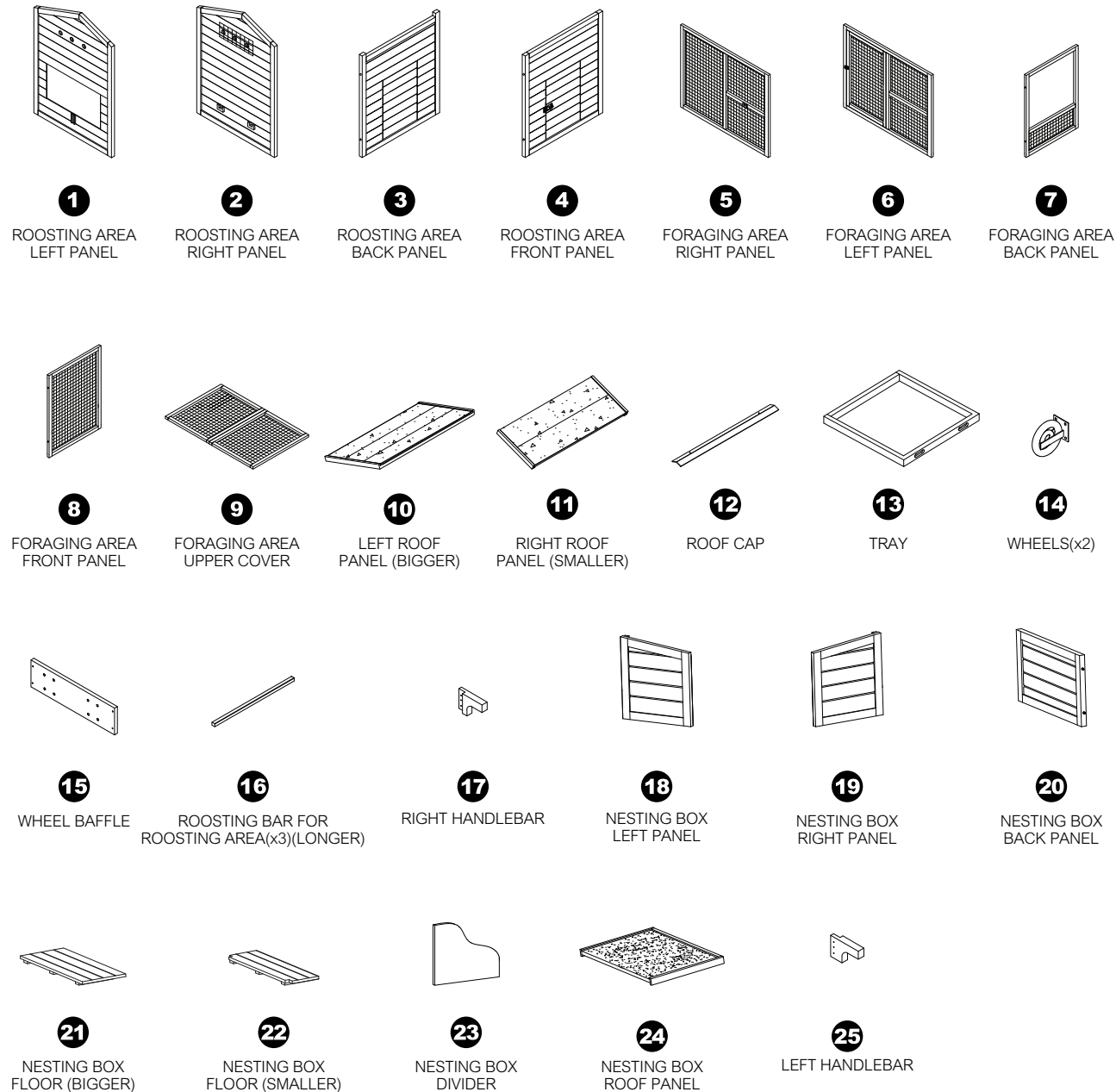


THESE BOXES CONTAIN THESE PARTS:

FASTENERS



WOOD PIECES

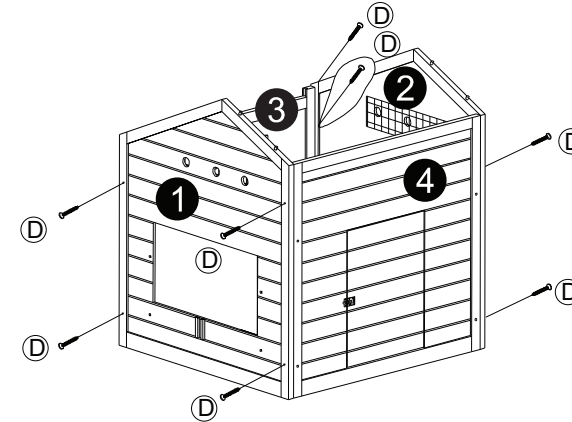


W142782621

Assembly Instructions

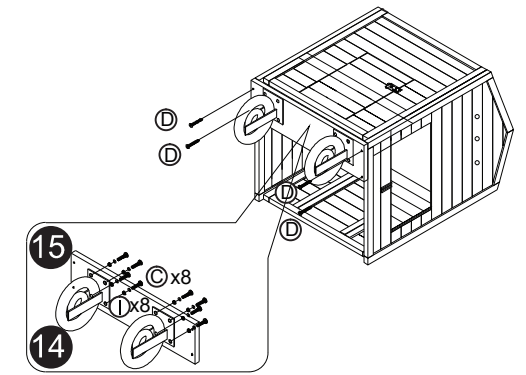
*Some parts of the product have preset dowel holes, pay attention to the dowel holes and then locking screws

1



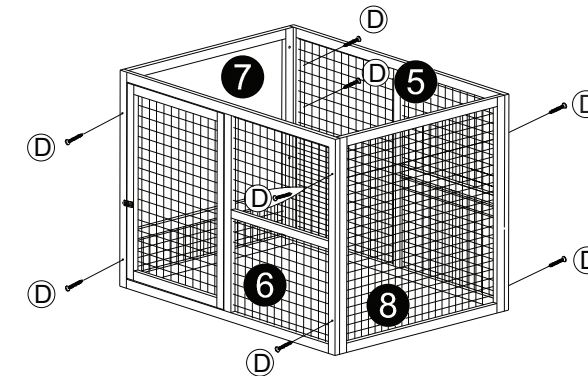
Connect the Roosting Area Panels (1),(2),(3), and (4) using Screws (D).

2



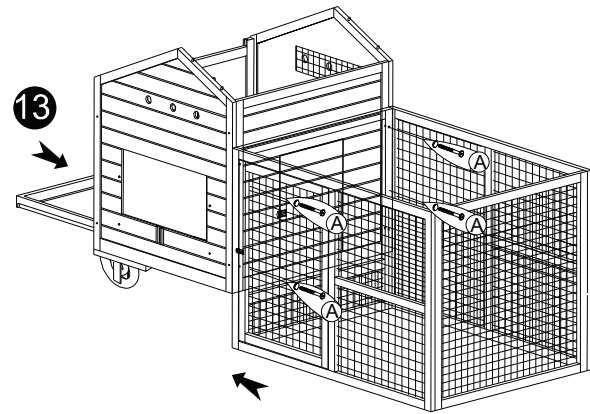
Connect the Wheels (14) and Wheel baffle (15) using Washers(I),Screws (C) and (D).

3



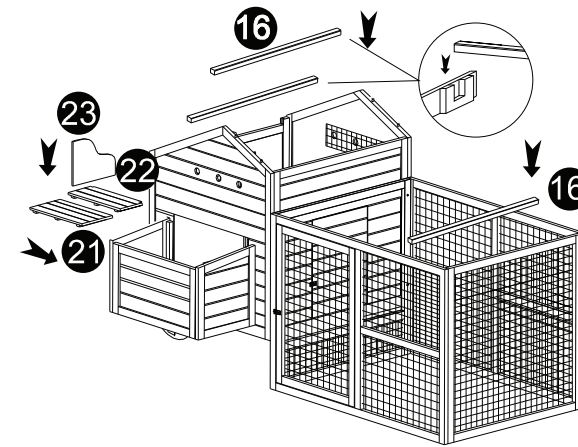
Connect the Foraging Area Panels (5),(6),(7), and (8) using Screws (D).

4



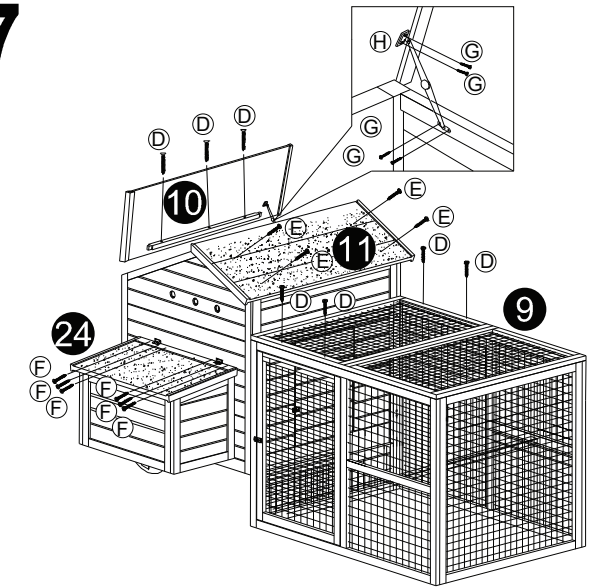
Attach Foraging Area to Roosting Area using Screws (A). Insert the Tray (13).

6



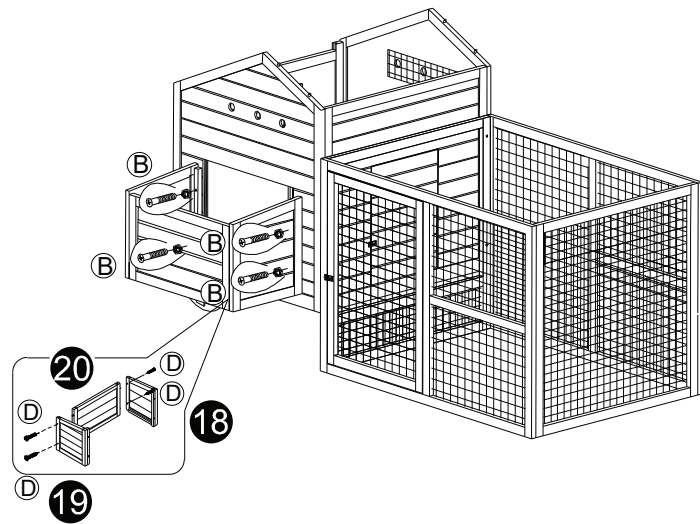
Insert Nesting Box Floor (21) and (22). Insert Nesting box divider (23). Insert Roosting Bars (16).

7



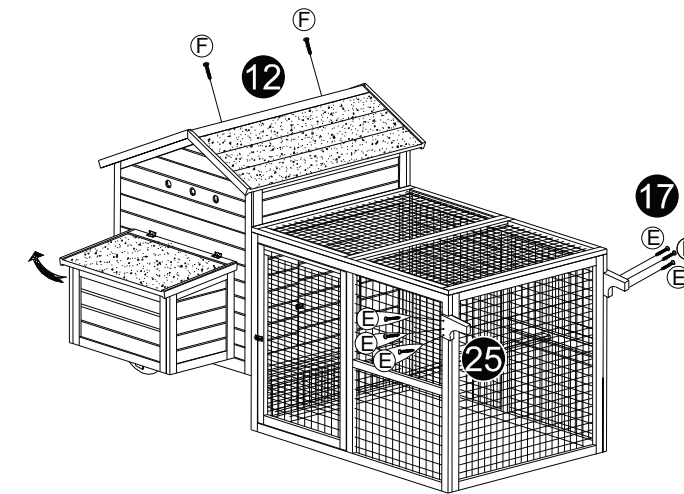
Attach Roof Panel (10), (11), and (24), using screws (D), (G) and (F). Attach Foraging Area Upper Cover (9), using Screws (D).

5



Connect the Nesting box Panels (18), (19), and (20) using Screws (D). Attach Nesting box to Roosting Area using Screws (B).

8



Attach Roof Cap (12) using Screws (F). Attach Handlebar (25) and (17), using Screws (E).