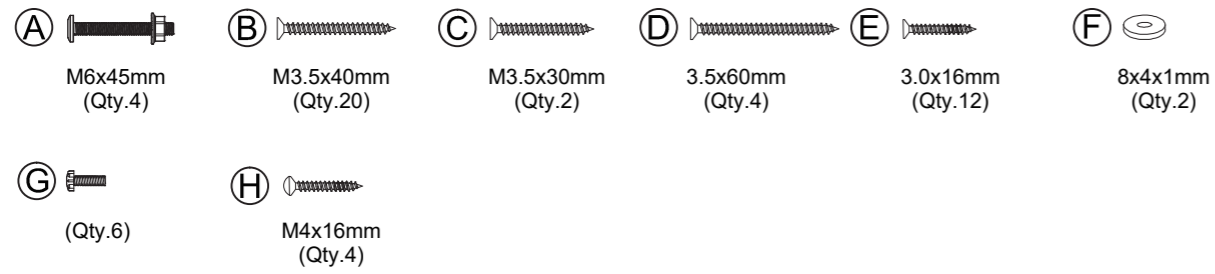
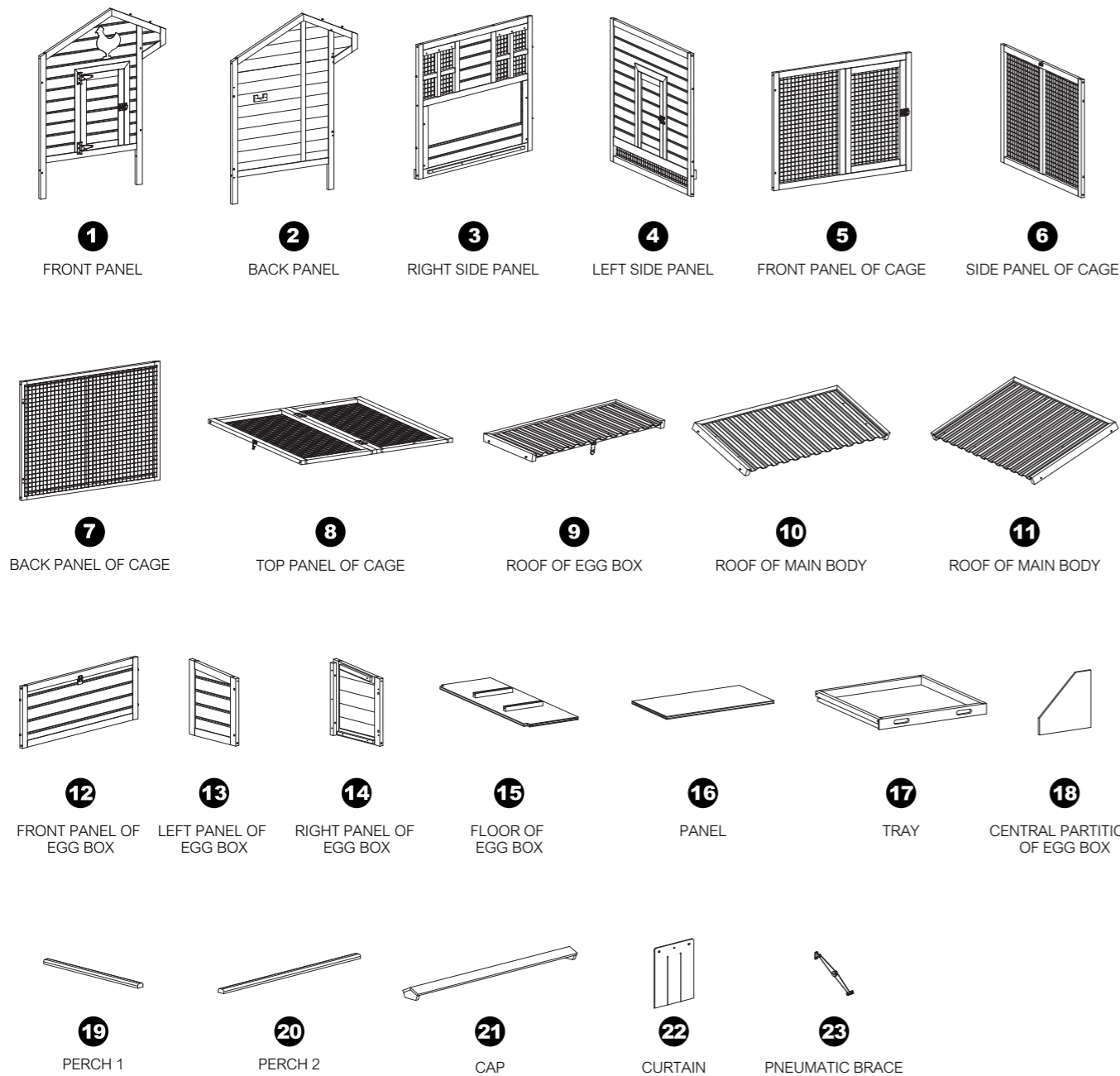


**THESE BOXES CONTAIN THESE PARTS:**

**FASTENERS**



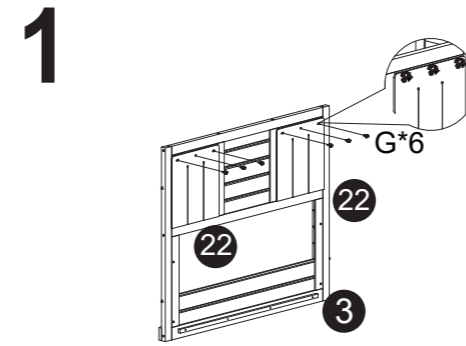
**WOOD PIECES**



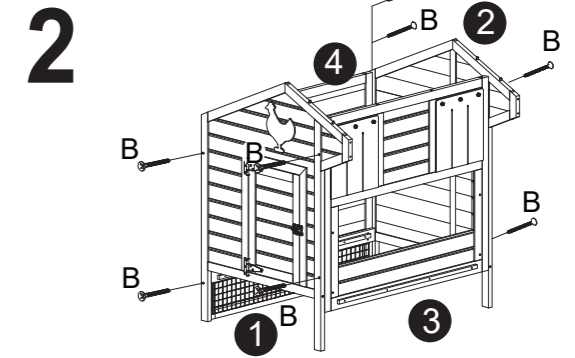
**W14277680**

**Assembly Instructions**

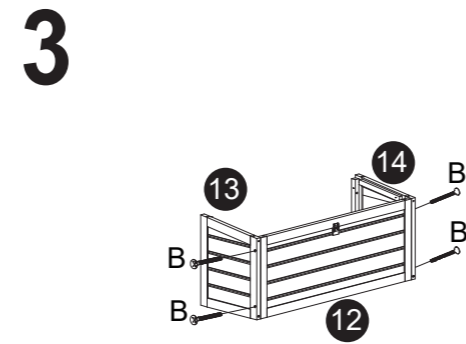
\*Some parts of the product have preset dowel holes, pay attention to the dowel holes and then locking screws



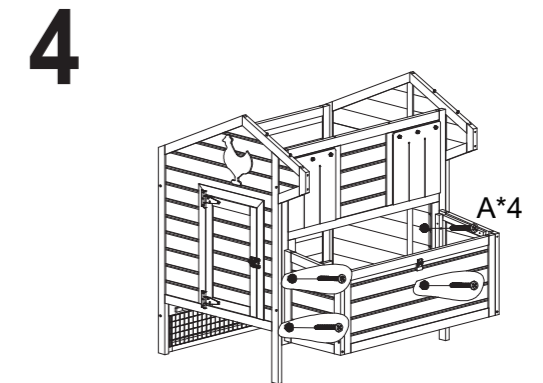
Assemble the curtain on the right side panel.



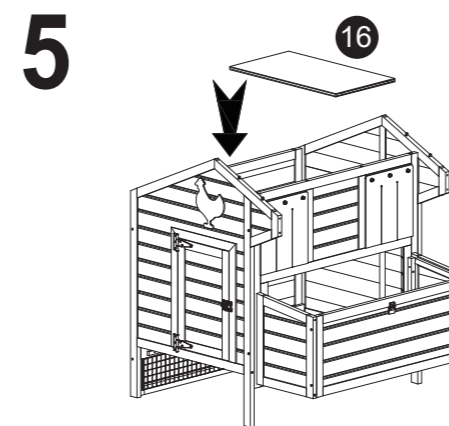
Secure front panel,back panel, left panel and right panel to form the main body.



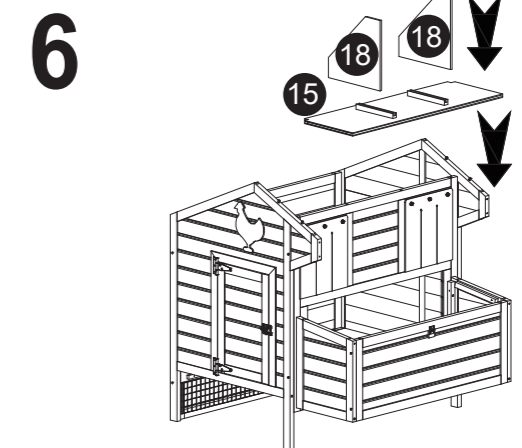
Assembly left panel,right panel and back panel of egg box.



Connect it with the main body.

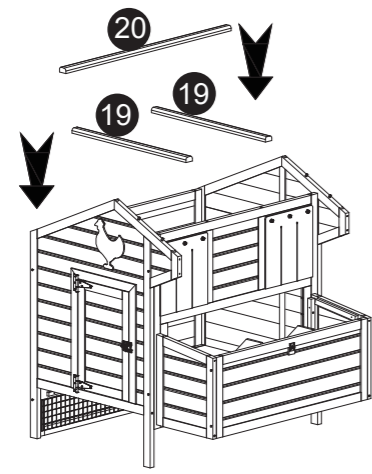


Place the 16 panel into the body.



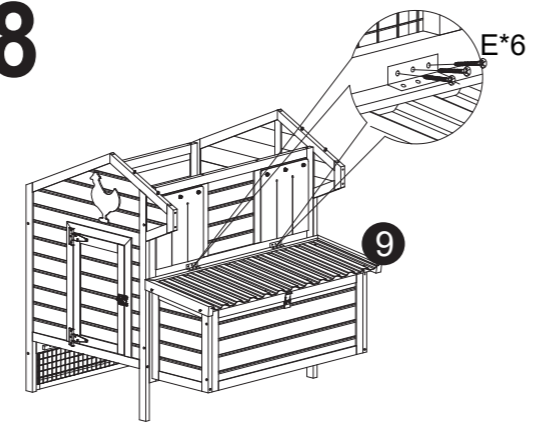
Drop in 15 floor and central partition of egg box.

7



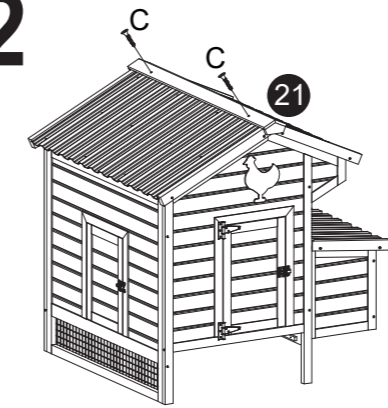
Drop in 3pcs of perches.

8



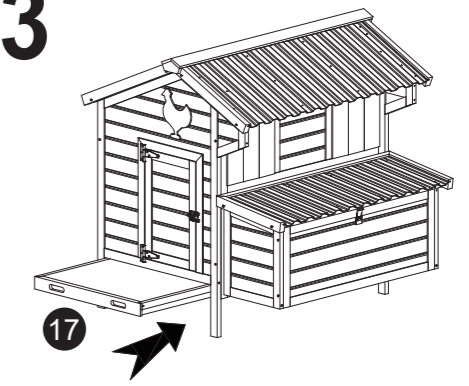
Assemble roof for egg box.

12



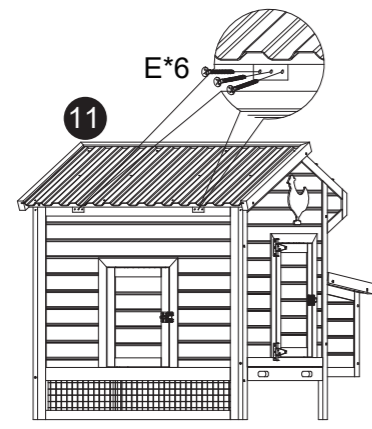
Assemble cap.

13



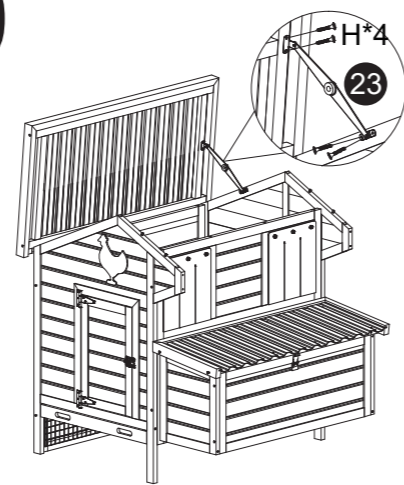
Drop in tray.

9



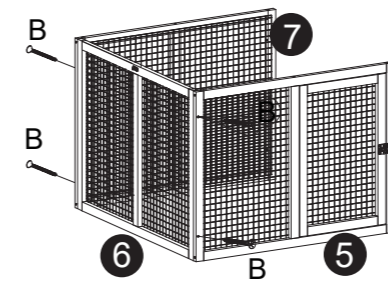
Assemble 11 roof of main body.

10



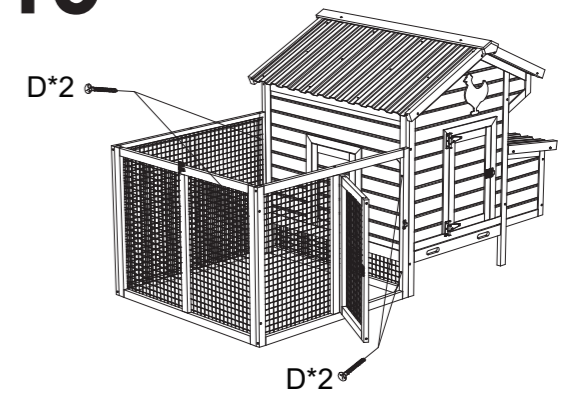
Assemble pneumatic brace.

14



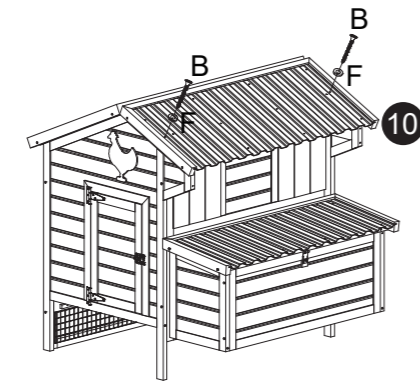
Assemble front panel, back pane, side panel.

15



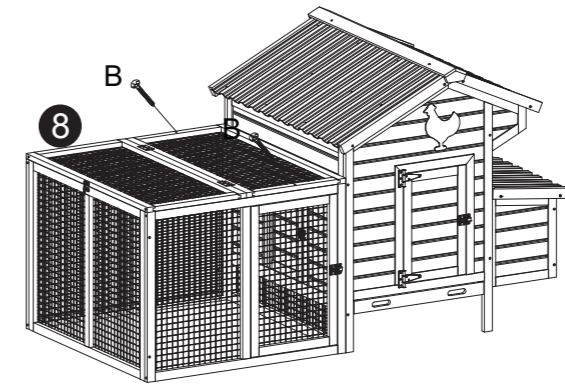
Connect the main body to the cage.

11



Assemble 10 roof of main body.

16



Assemble top panel of cage, finished.