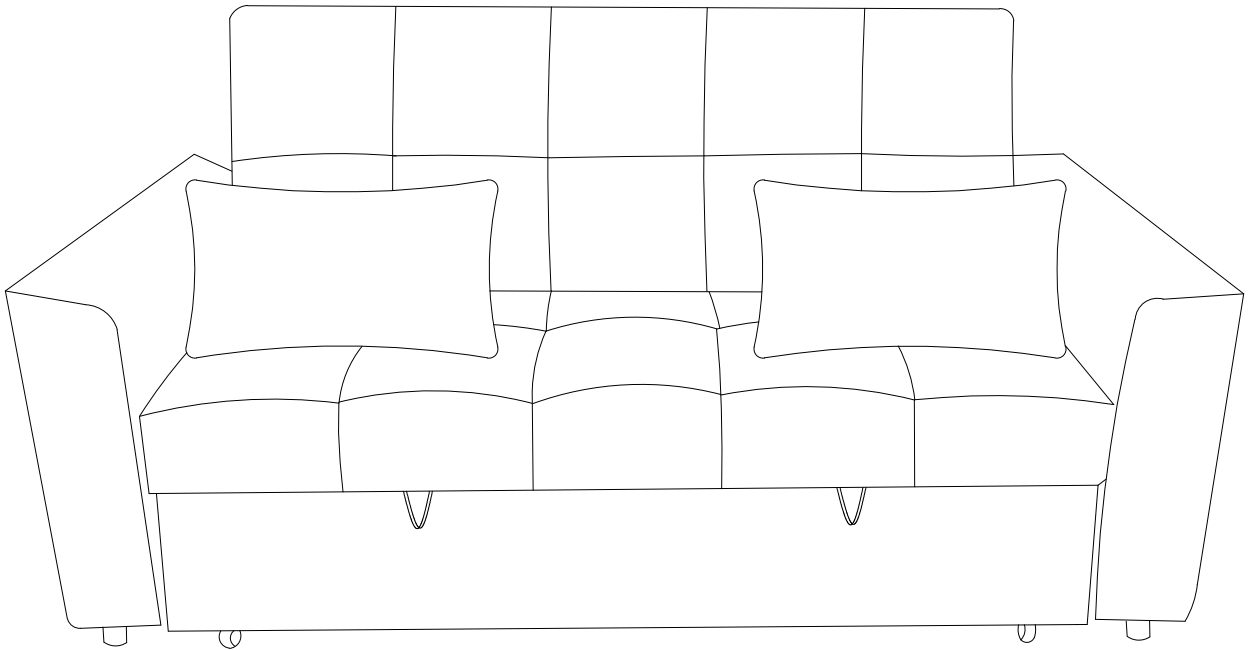


# Assembly Instructions

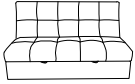
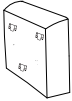

Your chair comes packaged in one box. Carefully remove all of components from the packaging and set aside for assembly.

**CAUTION:**  
DO NOT use any sharp objects to open plastic wrapped components as damage to product or components may result.



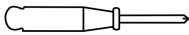
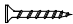


# ASSEMBLY INSTRUCTIONS

## PARTS LIST

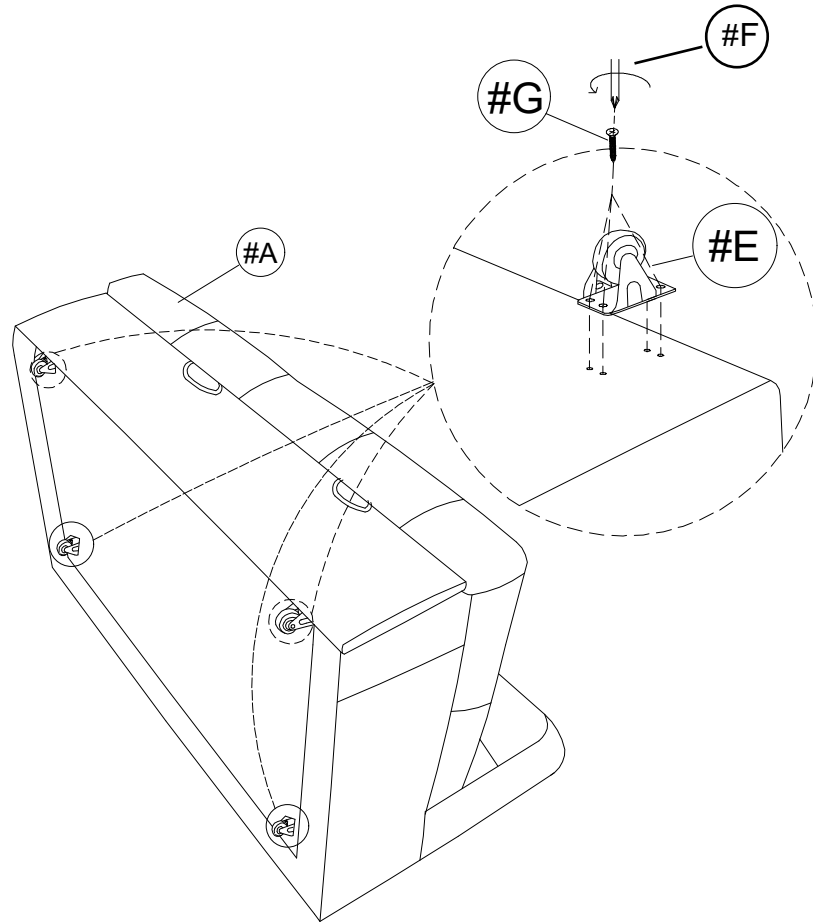
PART	DRAWING	DESCRIPTION	QTY
A		Seat frame	1
B		Arm (L&R)	2
C		Pillow	2

## HARDWARE LIST

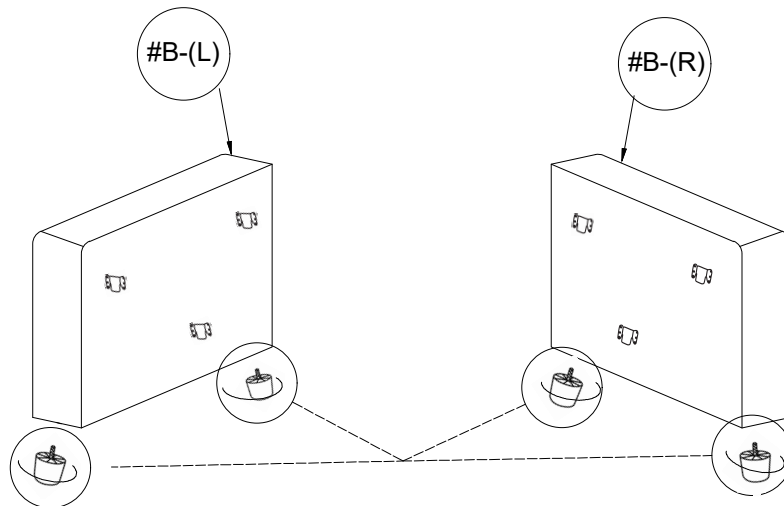
PART	DRAWING	DESCRIPTION	QTY
D		LEG	4
E		Roller	4
F		Screwdriver	1
G		Self-tapping	8

# ASSEMBLY INSTRUCTIONS

STEP 1

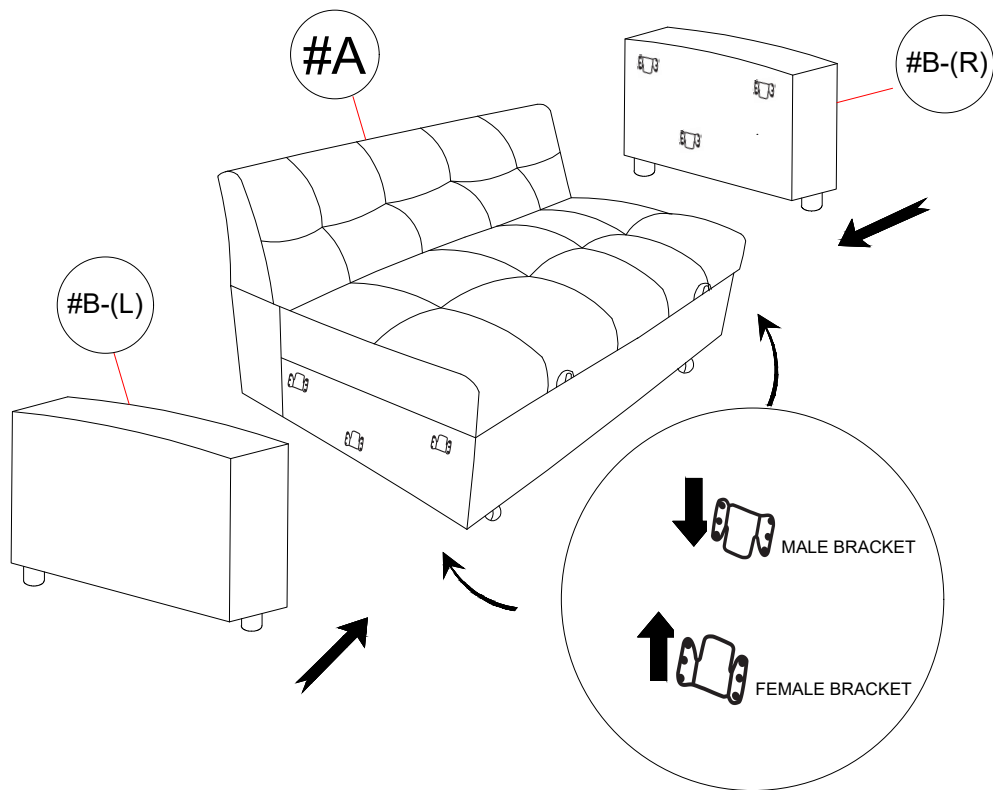


STEP 2

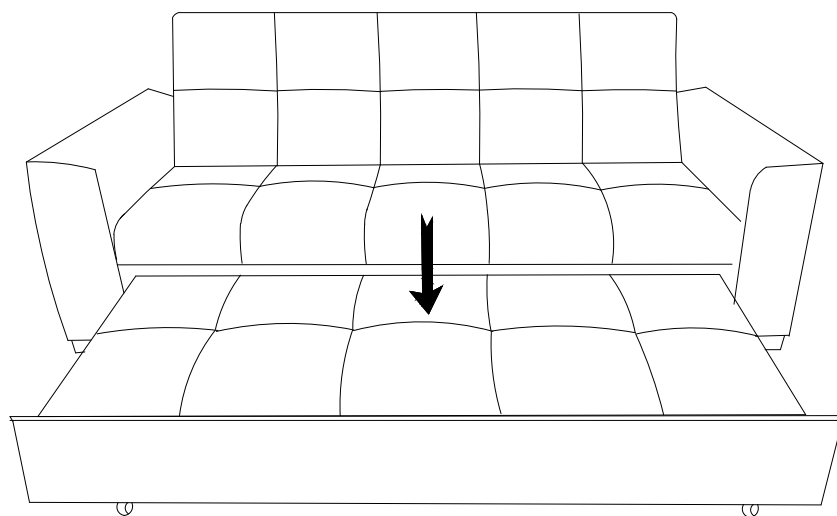


# ASSEMBLY INSTRUCTIONS

## STEP 3

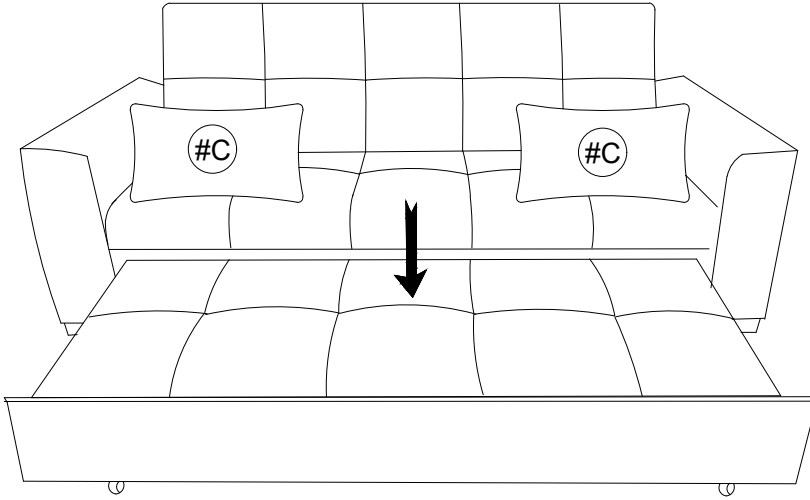


## STEP 4



# ASSEMBLY INSTRUCTIONS

STEP 5



---

COMPLETED !

