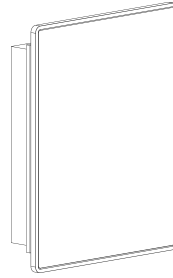


## List of Parts:

## Tools Needed:

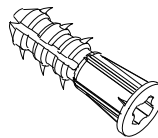
**1** Medicine Cabinet X1



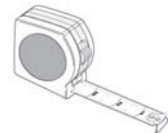
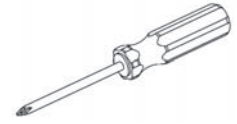
**2** Shelf X2



**3** Wall Anchor X4



**4** Mountin Screw X4



## Rough Wall Opening

Overall Size	Rough Wall Opening
20 in.(W) X 28 in.(H) X 5 in.(D)	17-3/10 in.(W) X 22 in. (H) X 3-1/2in. (D)

Use a 1/4 in. (6 mm) drill bit for drywall anchor installation. Use a 1/8 in. (3mm) drill bit for direct stud installation.

**NOTE:** If installing into a material other than drywall or into stud, consult a professional for proper installation.

# INSTRUCTIONS FOR RECESS-MOUNT INSTALLATIONS

## INSTALLATION of CABINET

1. Carefully remove all packing material. Place shelves and hardware aside until needed.
2. Determine desired location of cabinet on wall. Mark wall to show wall opening size. Generally, the recommended height to the center of the cabinet is 64" from the floor. Fig. 1
3. CAUTION: Wall studs, plumbing or electrical lines that interfere must be removed or relocated. Cut wall opening, being careful not to damage the surrounding wall surface. Insert framing to support all plaster board edges
4. Insert cabinet into wall opening in plumb and centered position. Use a carpenter's level and shim corners of cabinet if necessary.
5. Once cabinet is inserted into wall, measure down 4" from the top and the bottom of the cabinet. Center the measurement on the sides of the cabinet. Fig 2.
6. Using a drill bit, drill a total of 4 pilot holes in the locations determined in Step 5. Secure to wall studs through the 4 mounting holes inside cabinet (screws provided)

Fig. 1

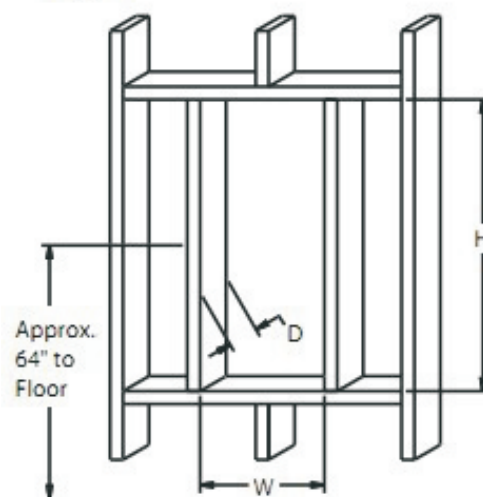


Fig. 2

