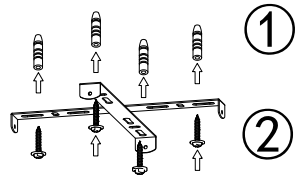
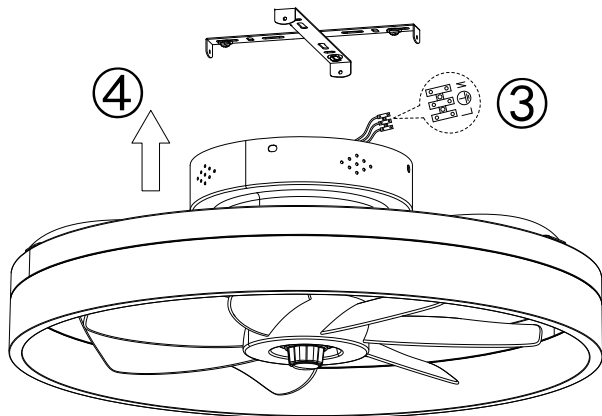


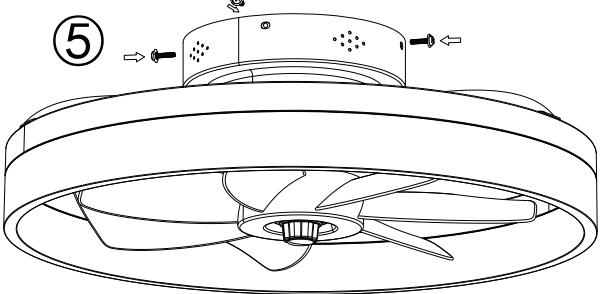
The ceiling



The ceiling

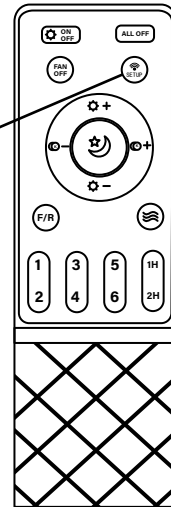


The ceiling



Turn on the power switch and press the 'SETUP' button within 2 seconds after hearing the 'drip'. The receiver beeps out two clicks, successfully matching the code.

**Tips: Before installation, the lamp should be tested for electricity. The lamp can be installed to the ceiling only in normal operation**

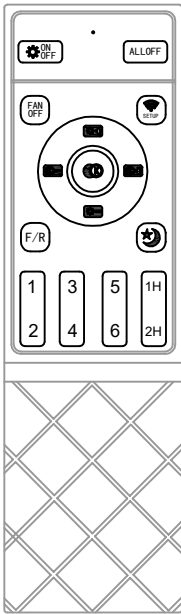


## Installation steps

- Step1 : Disassemble the hanging plate of the lamp, then the hole position of the hanging plate is measured and located on the ceiling by borrowing the hole position of the hanging plate.
- Step2 : Punch holes in the positioning mark according to the size of the expansion screw, then hammer the expansion screw into the hole with a hammer (leaving one centimeter outside) and then counterclockwise unscrew the nut and meson to lock the hanging plate. (If your ceiling is not concrete but a wooden suspended ceiling, use self-tapping screws directly to secure the cross-hanging panels).
- Step3 : Install the hanging plate on the ceiling with the washers respectively. Ensure that the mounting plate is connected with the ceiling firmly, and ensure that the hanging plate and the expansion screw are sufficient to bear the weight of the lamp body.
- Step4 : The main line of the lamp body should be checked if the lamp works normally or not by connect 110V power supply. It is recommended that professional electrician install the lamp.
- Step5 : Install the lamp hub on the hanging plate according to the hole position. please ensure that the lamp body and ceiling are securely connected.

## Attention

- 1 : Please read the assembly drawing carefully before installing and maintaining the lamps and lanterns, and keep it properly for future use after use.
- 2 : The power supply used should not exceed the specified range of voltage (rated voltage AC110V) for a long time, or may cause damage to the lamp overheating.
- 3 : Please pay attention to check whether the cable and switch are in good condition before use, and ensure that the local voltage is consistent with the lamp voltage.
- 4 : Please turn off the power before installing the lamp.
- 5 : Do not install the lamp above the high temperature object, such as stove, gas, exhaust, cylinder, etc., which may damage the lamp.
- 6 : Please do not refit the lamps, which may cause malfunction.
- 7 : Please clean and check regularly. Turn off the power before cleaning. Wipe the surface with a dry rubbing cloth. Do not wipe with acidic or alkaline chemical solvents, which will cause serious damage to the surface.



## APP



Remote control pair code: long press the "SET UP" key within 5 seconds after the lamp is just power-on, the buzzer rings 1 sound drop, indicating the success of the pair code.



**TUM OFF THE LIGHTS AND TURN ON THE LIGHTS**



**ALLOFF** General



night lamp



Three speed color temperature adjustment



Fan stop



Long press or click on this key to increase the brightness. It makes a ticking sound at the brightest time.



Long or click the key to turn dark. It makes a ticking noise in the darkest hour



Long press this key to increase the color temperature



Long press this key, the color temperature drops



The afn turns/reverses



Countdown > 1drop > 1hour



Countdown > 2drop > 2hour



1,2,3,4,5,6 Fan gear 1 gear minimum wind 6 gear is the maximum wind

