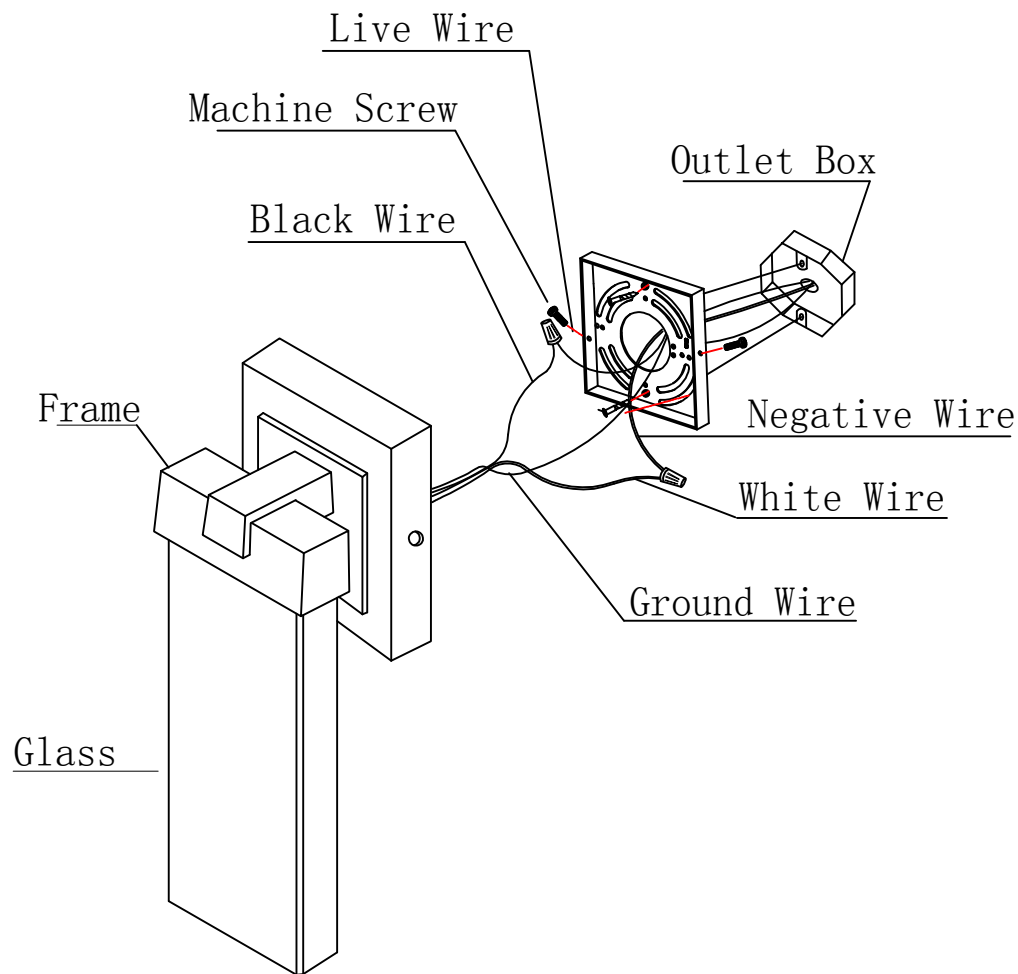


ASSEMBLY INSTRUCTIONS

L7004

(English)



READ & SAVE INSTALLATION & OPERATION INSTRUCTIONS TOOLS & MATERIALS REQUIRED

- Screwdriver
- Wire Cutters
- Adjustable Wrench
- Wiring Supplies

CAUTION

Prior to assembly, refer to **ELECTRICAL CONNECTIONS** section. If you do not have electrical wiring experience, refer to a do-it-yourself wiring handbook or have your fixture installed by a qualified licensed electrician.

GENERAL

1. Be sure to read these instructions and review the diagrams thoroughly before beginning.
2. Electrical connections must be in accordance with local codes, ordinances, or the National Electric Code. If you are unfamiliar with methods of installing electrical wiring, secure the services of a qualified licensed electrician.
3. Before starting the installation, disconnect the power by turning off the circuit breaker or by removing appropriate fuse at fuse box. Turning the power off at the light switch is not sufficient to prevent electrical shock.

UNPACK THE FIXTURE

Check the contents of the wire connector. You should receive:

- Mounting Hardware Package
- Unassembled Fixture

PREPARE THE FIXTURE

NOTE: First turn off electricity.

1. If replacing an existing fixture, disconnect and remove old fixture. Expose the supply wiring from wire connector.
2. If your fixture is supplied with two machine screws, thread the long machine screws into the opposite side of the anchors. While supporting the fixture, make electrical connections.

FINAL ASSEMBLY

1. Spread electrical splices so Black wire are on one side of wire connector and White Wire on the other.
2. Install light bulbs (not provided) and cover assembly. Some models employ a twist off top cap to allow access to bulbs.
3. **CAUTION:** Refer to the relamping gtl label located near lamp holder for recommended maximum wattage. Do not exceed recommended wattage.
4. Use weather resistant caulk to seal around top and side perimeter of fixture back plate. Leave bottom uncaulked to allow for condensation and evaporation.
5. Restore electrical power.