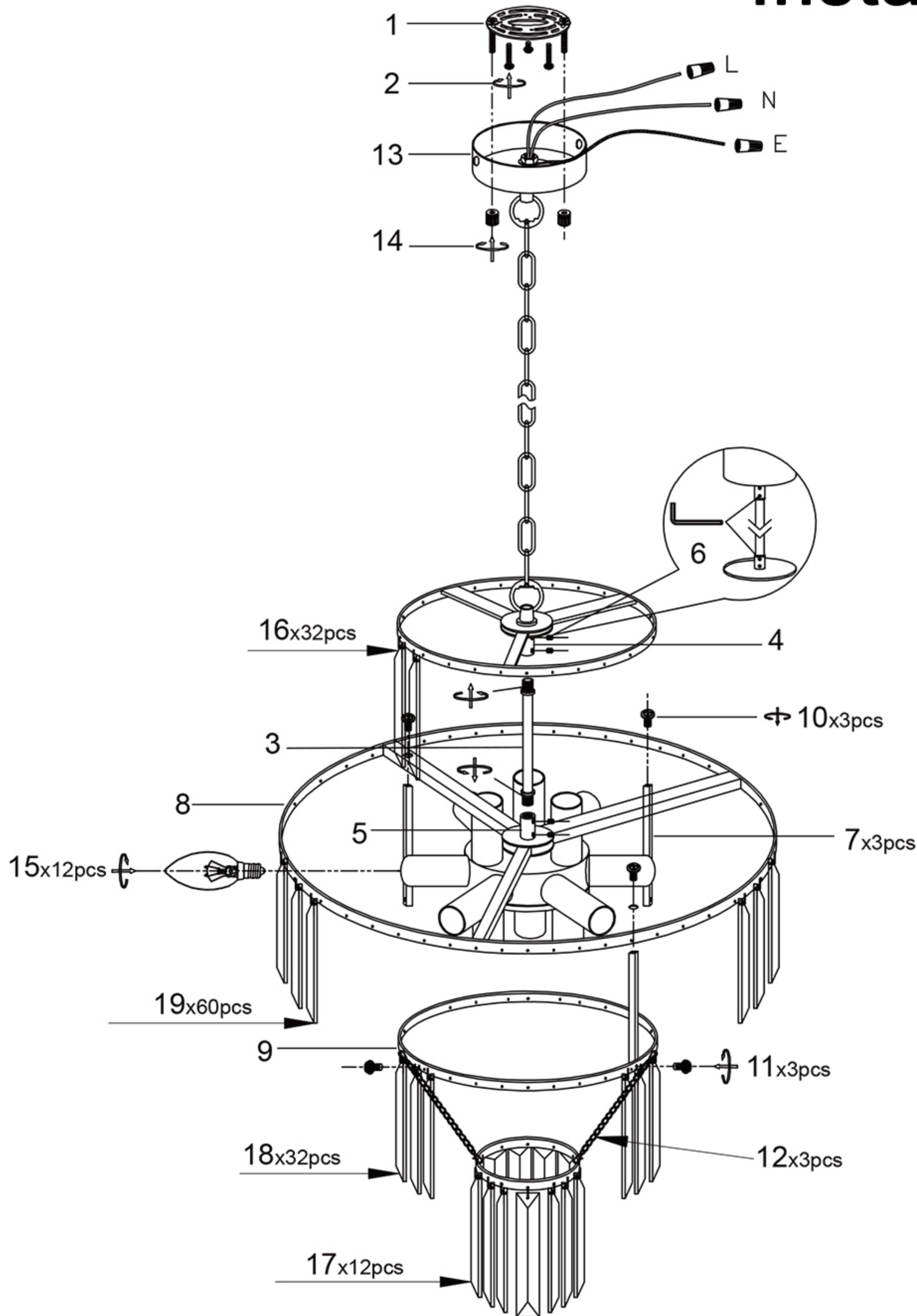


Installation Directions



I: Use screws(2) to fasten the metal bracket(1) on the ceiling.

II: Assemble tube(3) to metal joints(4) (5) and fasten by allen key(6).

III: Use screws(10X11) to fasten rods(7) to frames (8)(9).

IV: Assemble chains (12) to frames.

V: Connect power cords to the lamp connector terminal:

[Wire color coding in Norther America: Black for "L". White for "N",]

[Wire color coding IEC: Brown for "L", Blue for "N", green-yellow for earth wire "E"]

VI: Use screws(14) to fasten the canopy(13) to metal bracket(1).

VII: Screw light bulb (15) not included) into the lamp socket and make sure it does not exceed the maximum wattage specified on the label.

VII: Hang the crystals(16)17)(181) on the frames.