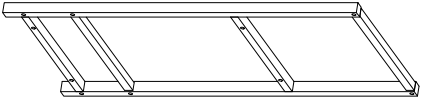
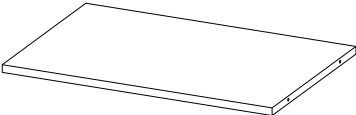

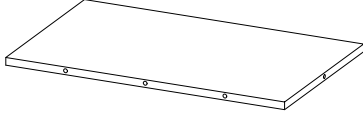

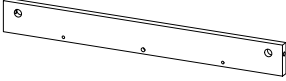
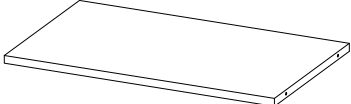
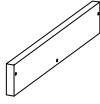






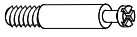






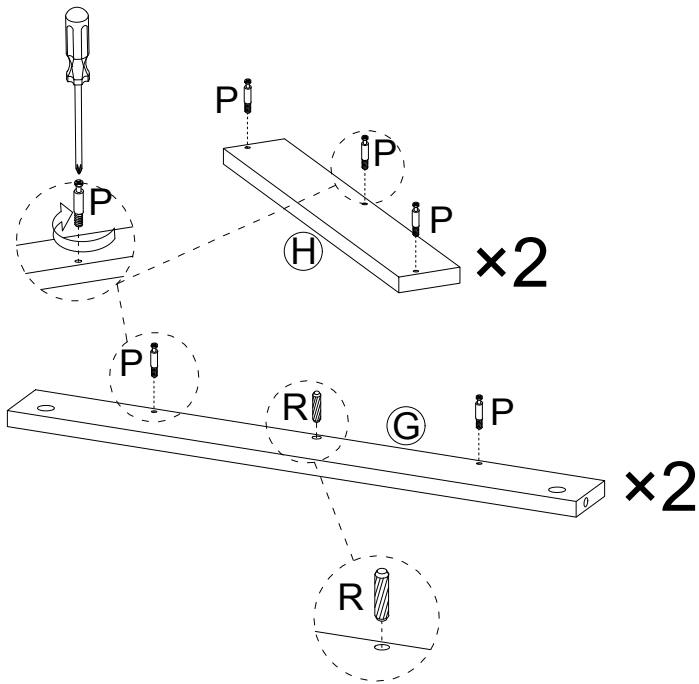
Part List

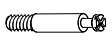
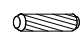
A		x2	E		x1
B		x2	F		x1
C		x4	G		x2
D		x1	H		x2

Hardware List

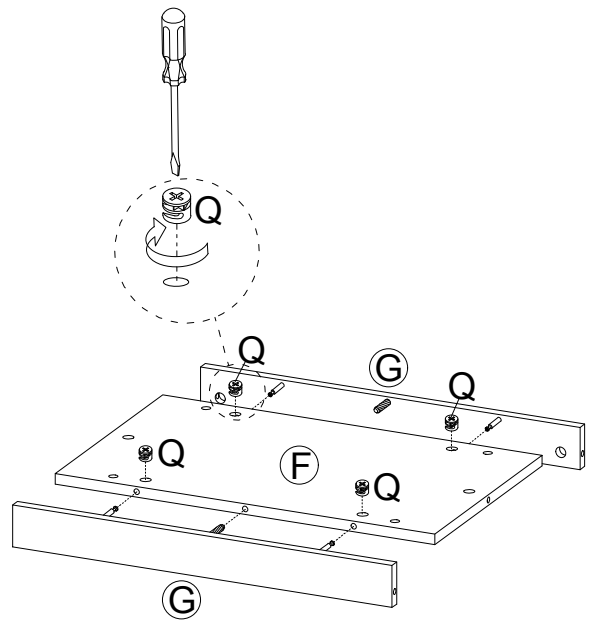
M		M4612	x4	S		2#	x2
N		M4640	x12	T		2#	x2
O		Ø7*50mm	x8	U		Ø18	x4
P		Ø6*35mm	x10	V		M8	x1
Q		Ø15*12mm	x10	W		Alkey4	x1
R		Ø8*30mm	x2				


STEP 1



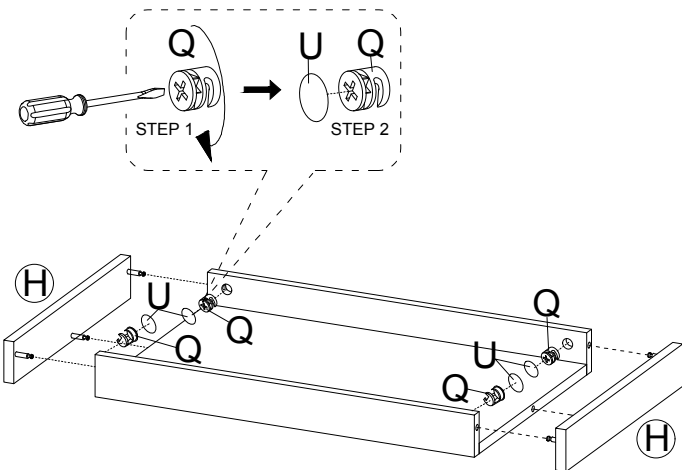
P		Ø6×35mm	×10
R		Ø8×30mm	×2


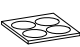
STEP 2



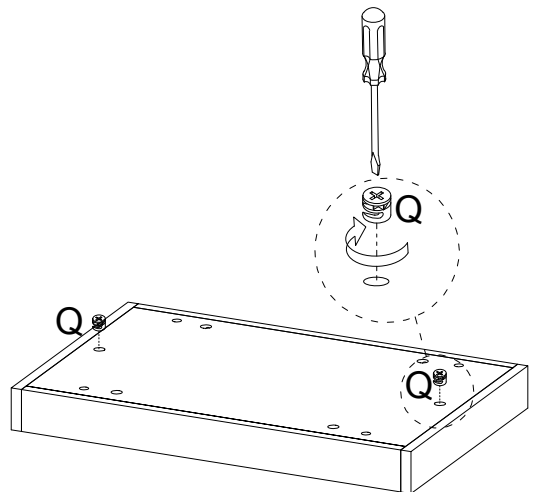
Q		Ø15×12mm	×4
---	---	----------	----


STEP 3



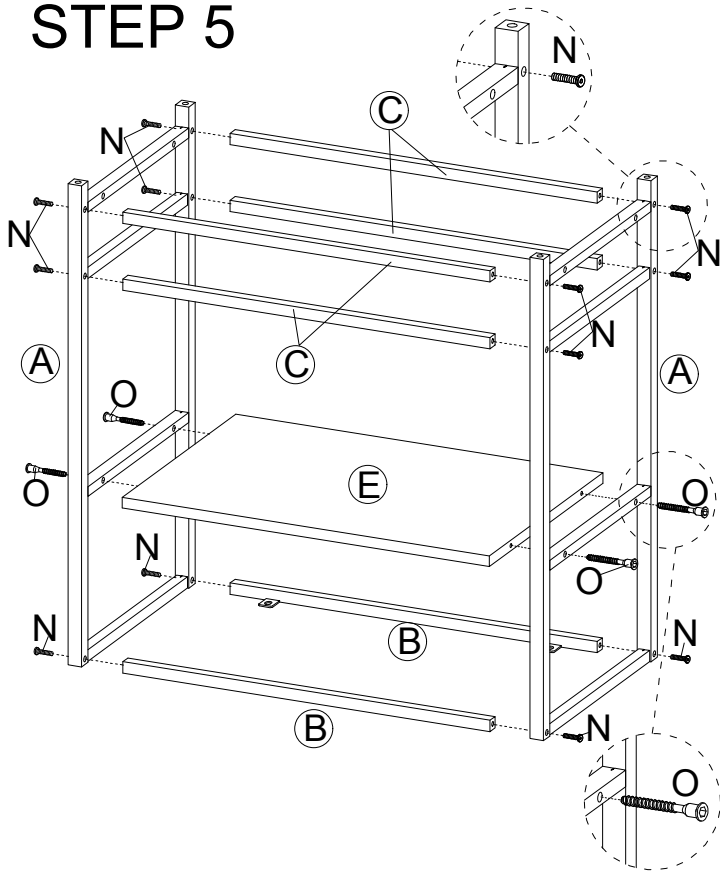
Q		Ø15×12mm	×4
U		Ø18	×4


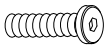
STEP 4



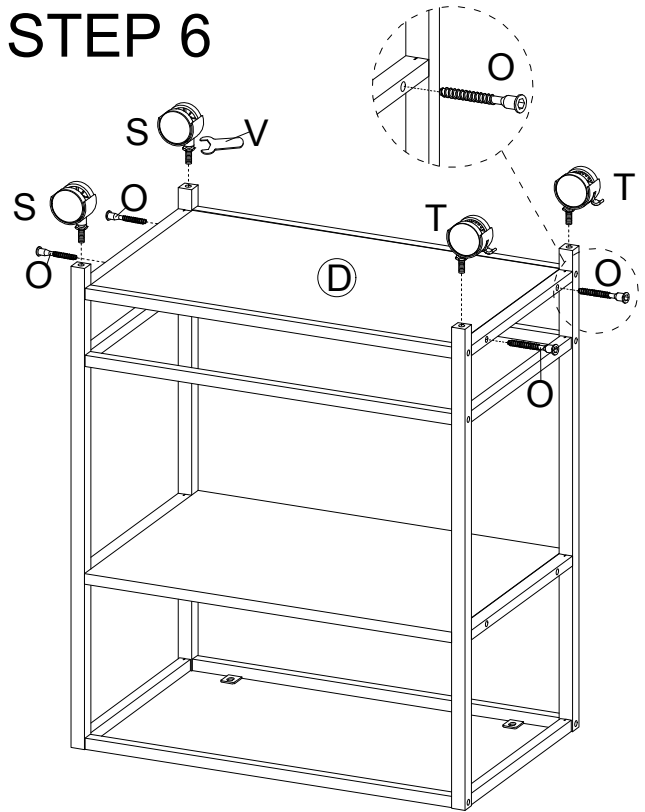
Q		Ø15×12mm	×2
---	---	----------	----




STEP 5



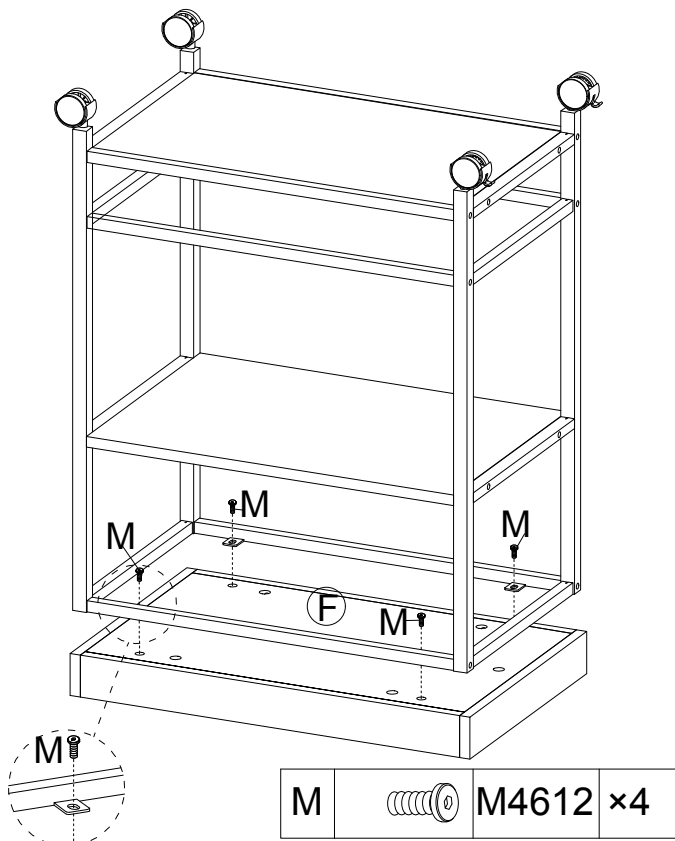
O		Ø7×50mm	×4
N		M4640	×12

STEP 6



O		Ø7×50mm	×4
S		2#	×2
T		2#	×2

STEP 7



M		M4612	×4
---	---	-------	----

STEP 8

