

Gray & White Series — Writing desk

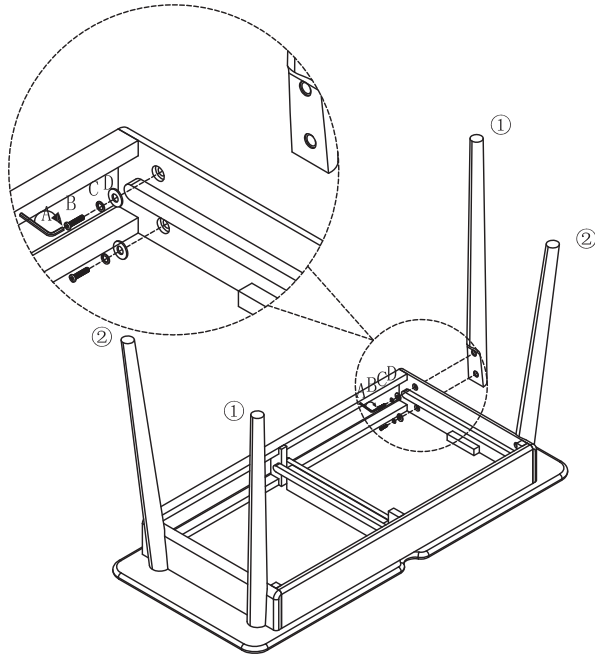
Y56X01

Assembly Instructions

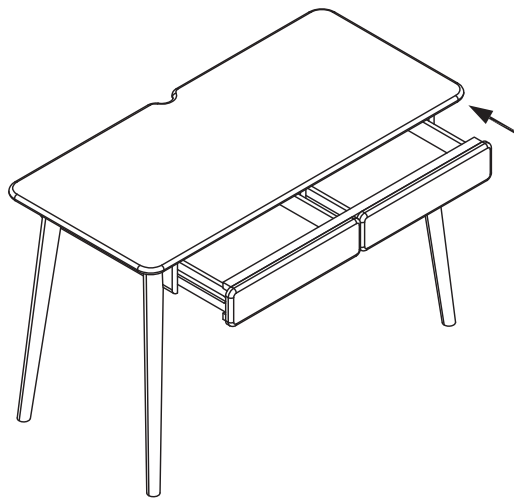


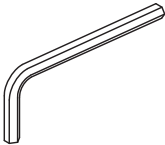
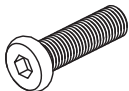


The assembly steps are as follows:

Step 1: Take out the drawers. Lay the desktop facedown on a flat, clean and non-abrasive surface. Attach the legs (diagonally interchangeable) to the desktop as shown in the diagram below. Make sure you fit the hardware together in the correct order.



Step 2: Stand the assembled desk on the floor and replace the drawers.



			
<p>A. Allen key x 1</p>	<p>B. Socket cap screws (M8×40) x 8</p>	<p>C. Split washers (M8×13) x 8</p>	<p>D. Flat washers (M8×16) x 8</p>