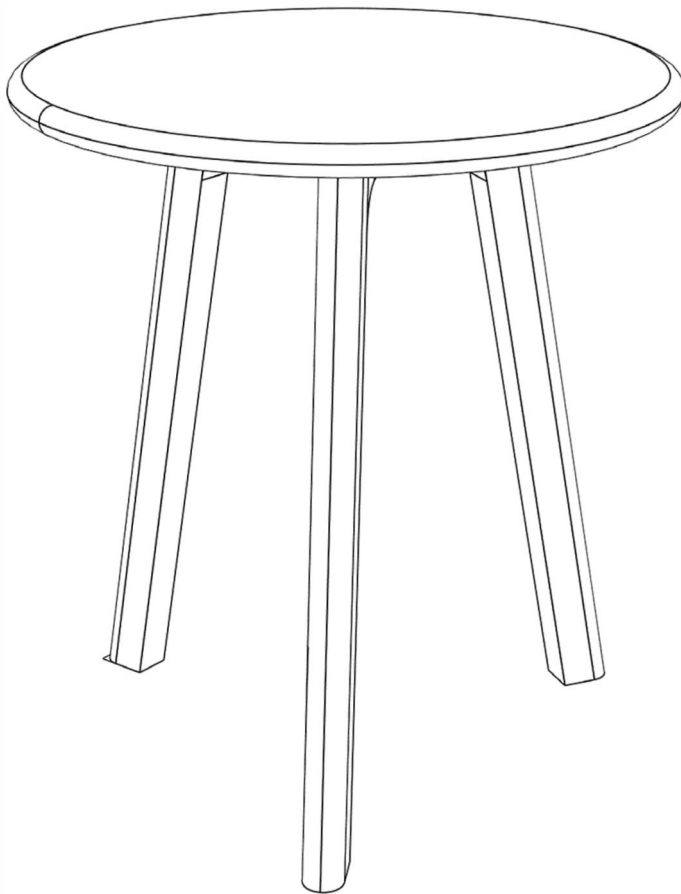
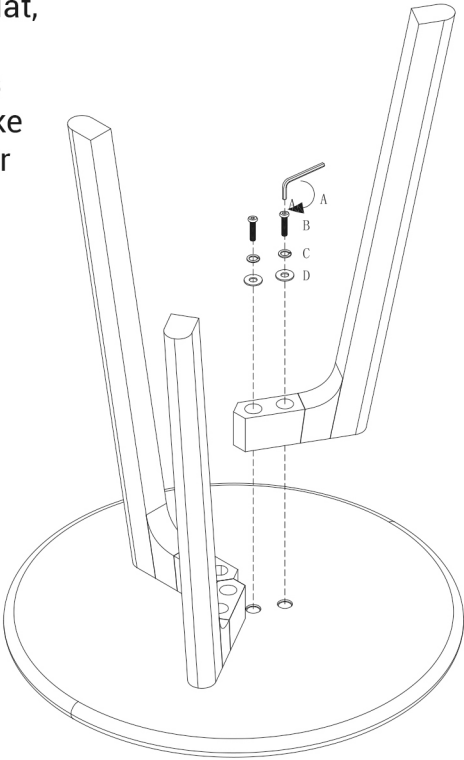


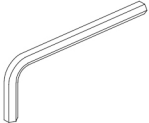
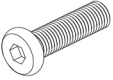


Round end table (small)
W128352144

Assembly Instructions



The assembly steps are as follows:
 Lay the tabletop facedown on a flat, clean and non-abrasive surface.
 Attach the legs to the tabletop as shown in the diagram below. Make sure you fit the hardware together in the correct order.



			
<p>A. Allen key x 1</p>	<p>B. Socket cap screws (M8x35) x 6</p>	<p>C. Split washers (ø8) x 6</p>	<p>D. Flat washers (ø8) x 6</p>