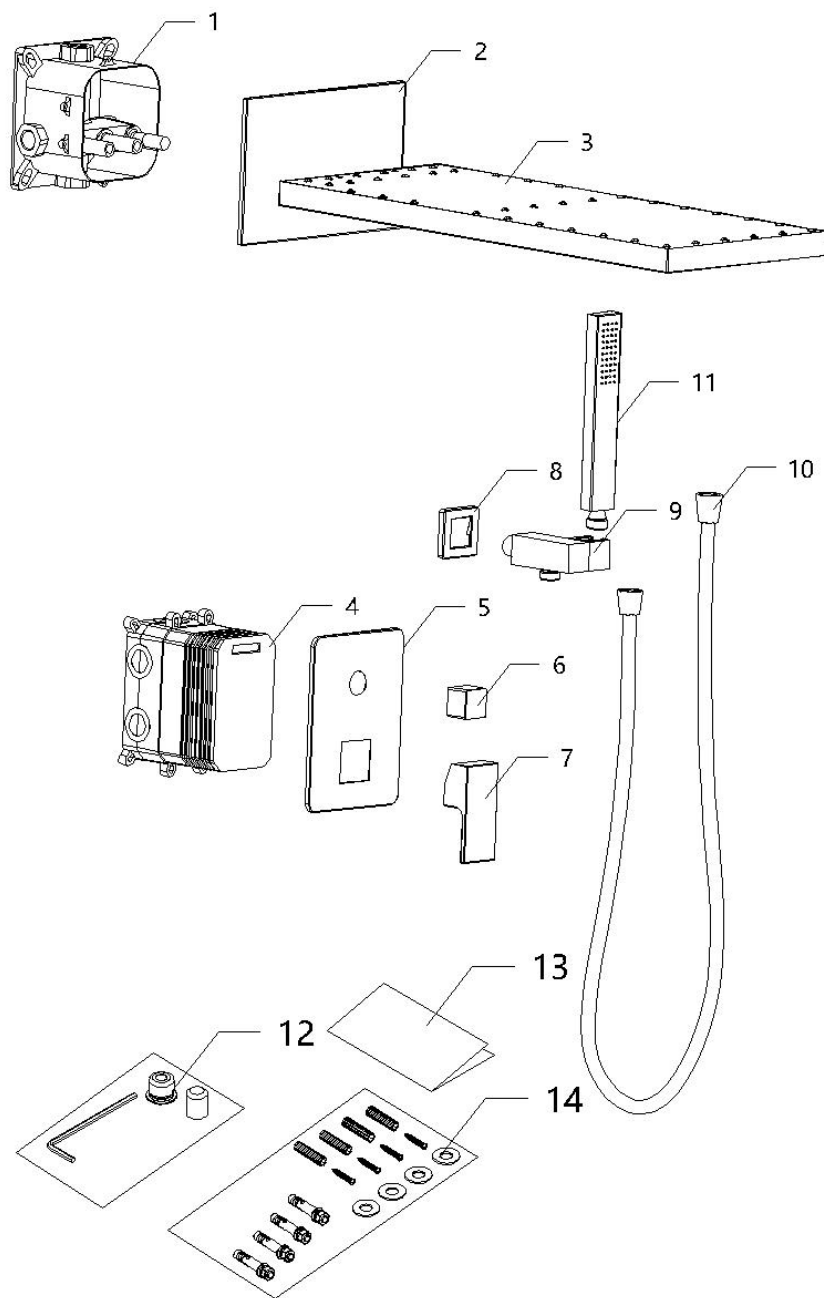


# BEFORE INSTALLATION

NO.	Item	Qty
1	Shower Head Embedded Box	1
2	Shower Head Cover Plate	1
3	Shower Head	1
4	Three-Function Embedded Box	1
5	Plate	1
6	Diverter Cap	1
7	Switch Handle	1
8	Cover	1
9	Cover Plate	1
10	Shower Hose	1
11	Fixed Seat	1
12	Handle Accessory Bag	1
13	Manual	1
14	Screw Accessory Bag	1



## Check accessories

### Standard List of Accessories:

When you open the product packaging, please check whether the objects in it are consistent with the main body and accessories you purchased. If there is any inconsistency, please contact our company or our distributor.

Note: 1. Accessories are subject to change without prior notice if the change does not affect usage;

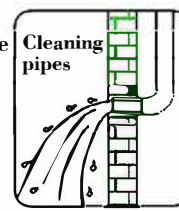
2. The appearance of the product is subject to the physical objects you receive, and the schematic diagram is only for reference.

# INSTALLATION STEPS

This product has been inspected and debugged by the factory to the best condition. Please do not disassemble and assemble it yourself.



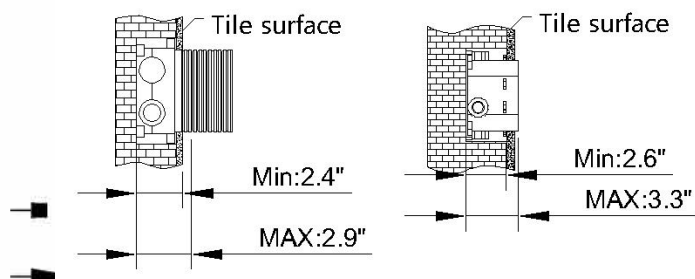
Before installing the faucet, please be sure to remove sundries and sludge from the water pipe to prevent sundries from blocking the faucet.



## 1. Installation steps of dig pipe grooves for pre-burying pipes.

Main Embedded Box

Shower Head Embedded Box



1). Open the main hole on the wall according to the size of the embedded box. The depth of the hole is shown in the figure. The distance between the wall and the bottom of the hole is between 2.4" and 2.9", and the distance between the Shower head embedded box is 2.3" ~ 3.1", for example, the thickness of the blank wall after the tile surface is increased by about 0.78", then the depth of the blank wall when opening the hole should be selected between the main embedded box distance 1.6" ~ 2.1", and the Shower head embedded box is between 1.5" ~ 2.3".

2). The size of the hole is subject to the actual size of the embedded box;

3). The bottom surface of the hole should be kept flat for subsequent adjustment of the vertical and horizontal of the embedded box;

4). Connect the pipelines according to the three-function embedded box, pay attention to the up, down, left and right directions of the embedded box. The left side is connected to the hot water pipe, the right side is connected to the cold water pipe, and the upper, lower and right sides are connected to the mixed water outlet pipe; the side spray embedded box Connect the pipeline, pay attention to the water in the bottom of the embedded box;

5). After the pipes are connected, open the corresponding pipe grooves on the rough wall according to the pipe layout;

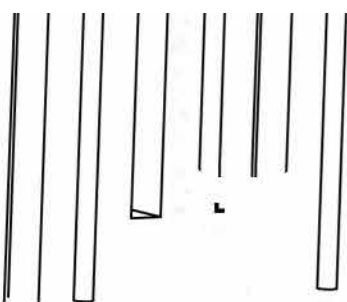
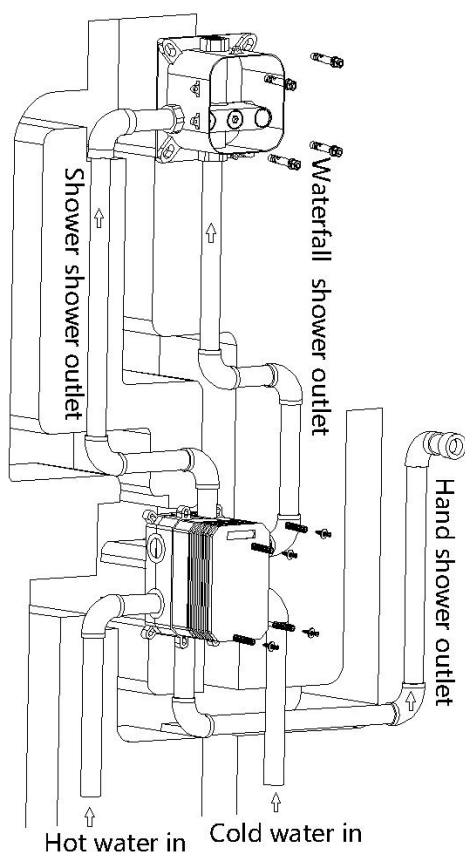
6). Before the embedded box is fixed, the embedded box and the connecting pipeline need to be tested for water test and the pipeline cleaning, and the upper mixed water outlet channel should be in an open state before the test;

7). Before the test, open the switch spool and open the water source to test whether the left and right water inlet pipes are tightly connected and without leakage. After the water inlet pipe is closed, adjust the flow switch to open to test whether the upper mixed water pipe is tightly connected and has no leakage, While maintaining a period of time to clean and manage foreign objects to prevent affecting the water outlet function of the control valve;

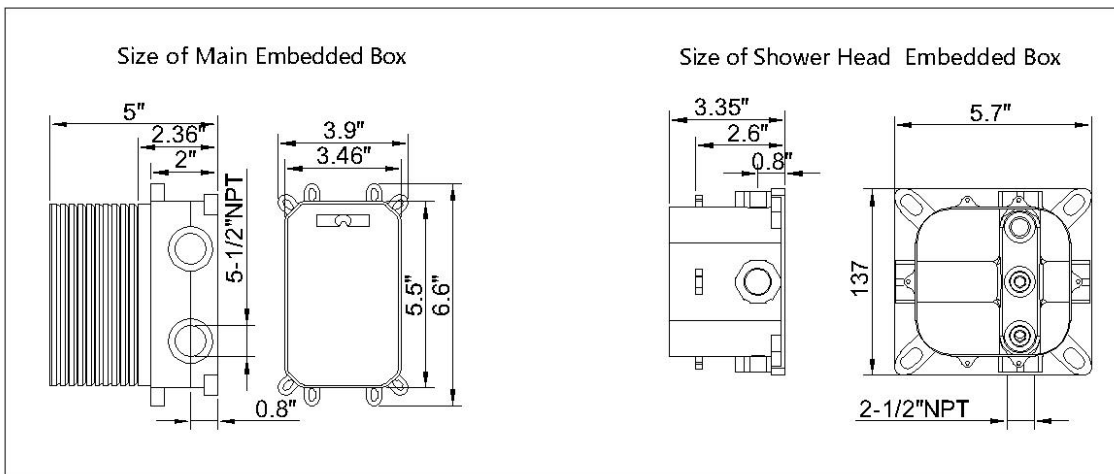
8). Fix the embedded box on the wall with self-tapping screws;

9). Reconfirm that the pipeline connection is correct and that there is no leakage in the water test. After the other embedded components of the shower are installed, the embedded box and the pipeline are sealed and fixed with filler;

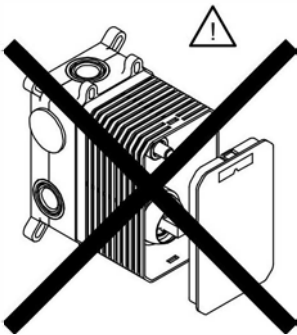
10). After the embedded box is installed, the subsequent installation can be carried out after the wall is paved.



# INSTALLATION STEPS



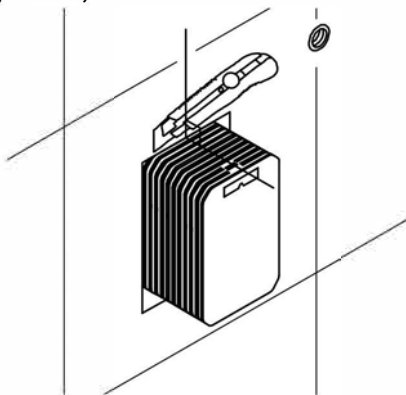
## 2. Installation steps of valve body



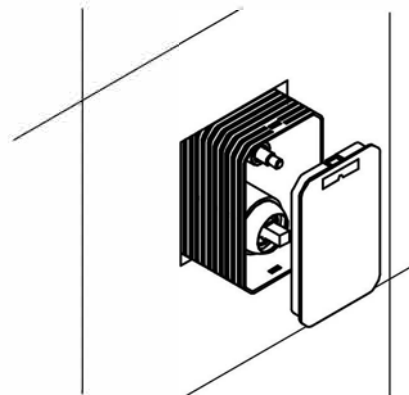
### NOTE:

- ① Do not leave the embedded box in an open state when laying the wall, so as not to affect the function of the embedded box and the installation of the control valve after the solidification of the filling in the box;
- ② The built-in 0.16" hexagonal sheet metal hand is placed in the box after the embedded box is installed, so as not to lose it and affect the subsequent installation;
- ③ The surface of the control valve set is mostly electroplated and smooth. It should be stored in the original packaging before installation to prevent scratches, corrosion and loss.

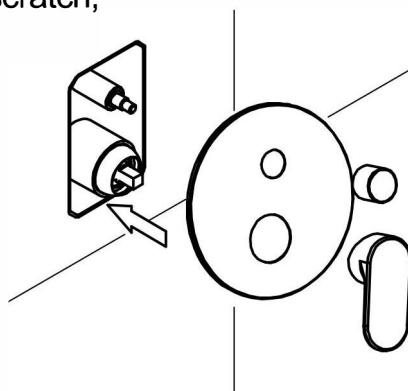
1). Lay wall tiles or other decorative wall, keep the wall level and 90° perpendicular to the embedded box, make the embedded box in the middle of a single tile as far as possible, and cut off the protruding part of the embedded box with a cutting knife;



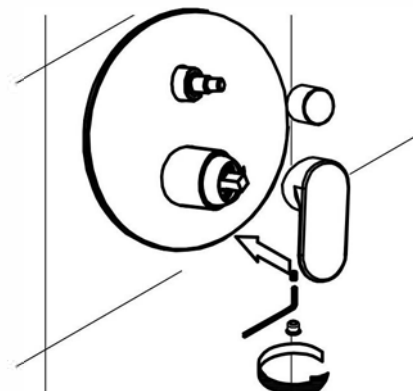
2). Remove the embedded box cover plate and the water testing assembly.



3). Install the control valve plate, check whether the protective rubber sleeve at the plate hole is off before installation, if there is no protective rubber sleeve, directly install the plate that is easy to scratch;



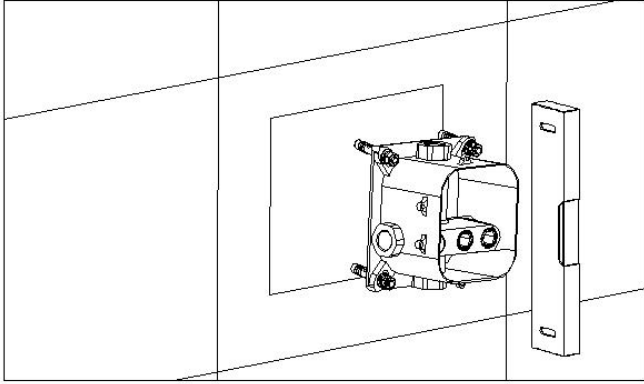
4). Install the switch handle, use a small hexagon wrench clockwise to fix the switch handle on the main valve core of the control valve, and install the decorative cap;



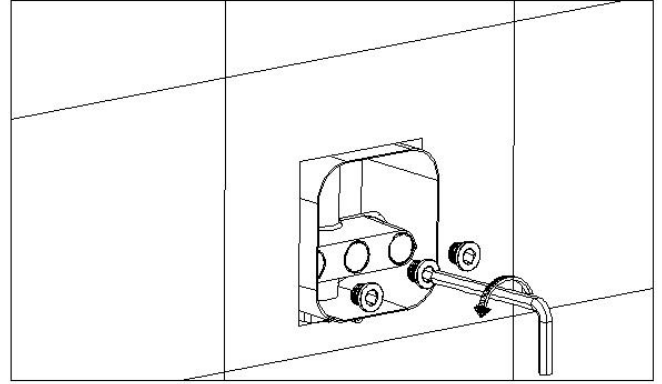
# INSTALLATION STEPS

## 2.Installation steps of side spray and shower head

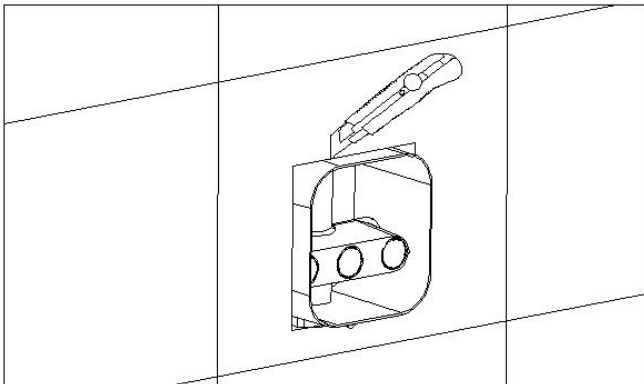
1)、 Keep the bottom of the hole flat, adjust the vertical and horizontal of the embedded box, fix the embedded box with screws, and tighten the joint with a hexagonal wrench, and test the water without leakage;



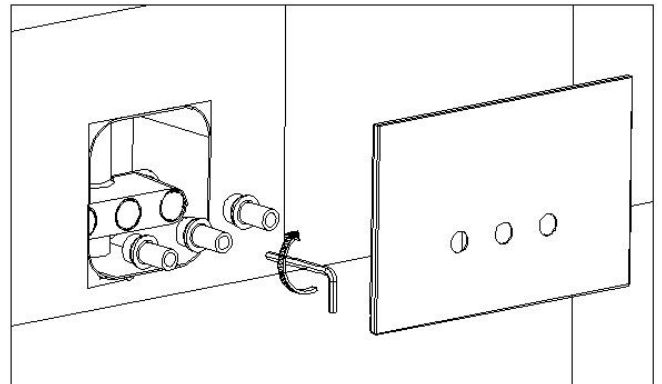
2)、 Laying wall tiles or other decorative walls, remove the plug, open the switch valve core, and keep it for a period of time to clean and manage foreign objects to prevent affecting the water outlet function;



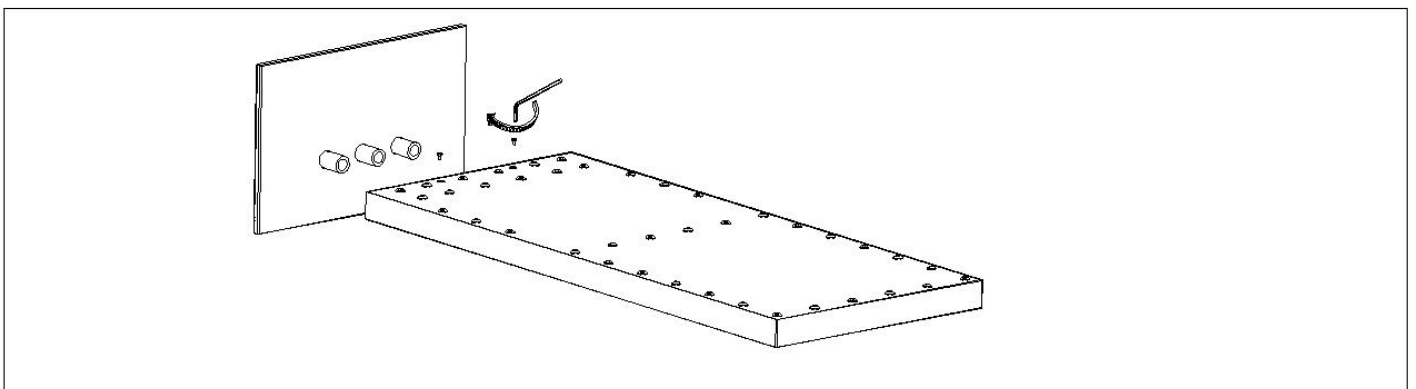
3)、 With the aid of the mounting pad, and cut off the protruding part of the embedded box with a cutting knife;



4)、 Tighten the connecting rod, Please install the cover plate according to the up and down signs during installation



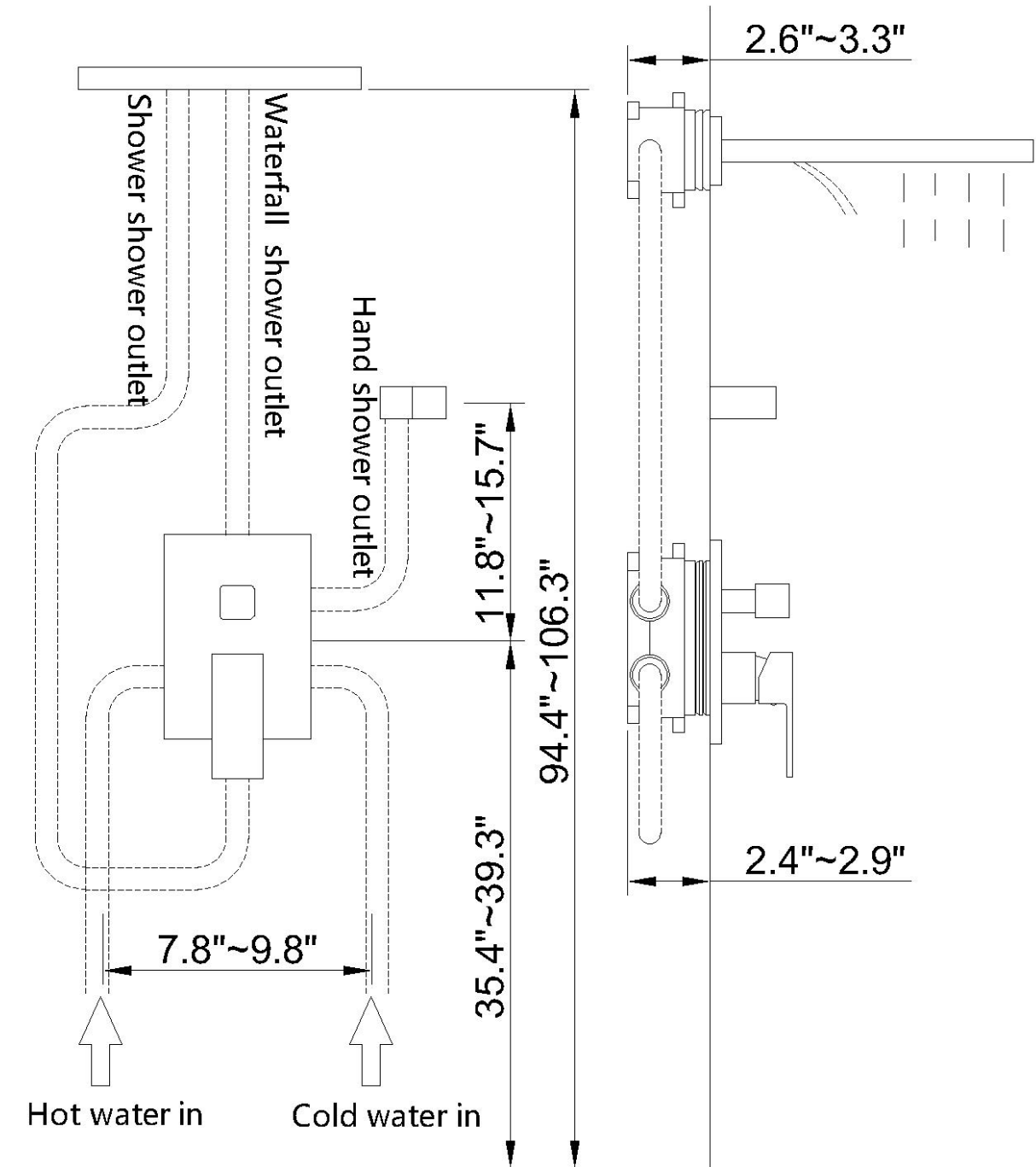
5)、 Install shower head, Tighten the connector .





# INSTALLATION STEPS

## 3.Installation steps of fixed base



Unit: inch

## CLEANING CARE

In order to keep the appearance of faucet clean, bright and good performance, please take care of the faucet as follows;

1. Rinse with water only and dry with soft cotton cloth;
2. Use mild liquid and colorless glass cleaner to remove surface dirt and scale film, or use polish without abrasive effect;
3. Do not use abrasive detergent, polish, emery cloth, paper towel or scraper, etc.;
4. Do not use acid cleaner, or cleaner and soap with insoluble gran etc.;
5. In the process of use, mud may accumulate in the bubbler and make the water flow show, The bubbler can be unscrewed, rinsed with water, and then installed back in place.

