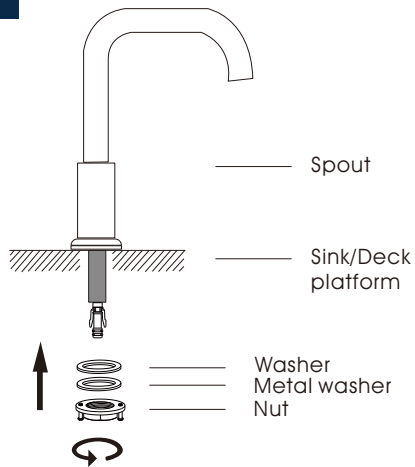


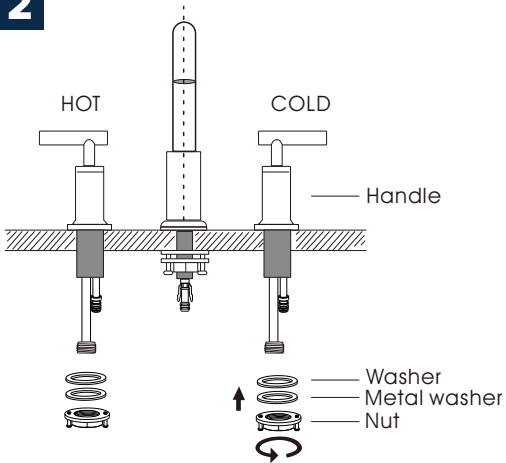
# Bathroom Faucet Instruction Manual

1



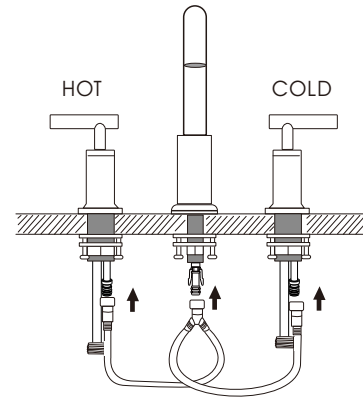
Insert the spout to the hole of sink/deck platform, align the washer, metal washer and nut as shown, thread the nut onto the shank and wrench tighten.

2



Insert the "COLD" handle on the right hole of the sink/deck platform, align the washer, metal washer and nut as shown, tighten the nut onto the shank by hands and tighten the screws to secure by tool. The "HOT" handle installation is same as "COLD" handle.

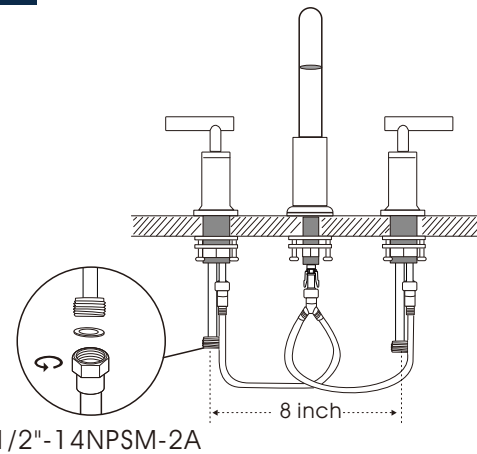
3



Provided hose W/ quick-connectors

Align the position as shown, insert the quick-connector of the hose to the shank of the HOT/COLD handle and spout.

4



connect the water supplies. (Make sure washer is installed inside)

5

